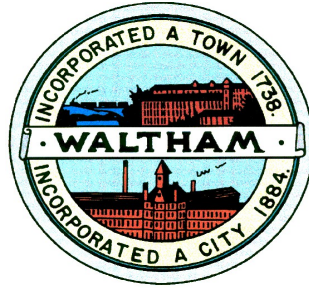


# The City of Waltham



**Invites  
Interested Parties  
To propose the best offer and or bid  
For the service or product herewith described:**

**RECONSTRUCTION AND RESURFACING OF STREETS AND  
SIDEWALKS Ch.90, 2021**

**The Virtual ZOOM Bid Opening will be held:**

**10:00 AM on Monday September, 20<sup>th</sup>, 2021**

**TABLE OF  
CONTENTS**

**2021 RECONSTRUCTION AND RESURFACING OF STREETS AND SIDEWALKS CH90**

<b><u>SECTION NO.</u></b>	<b><u>TITLE</u></b>
00010	Invitation to Bid
00100	Instructions and Information for Bidders
00200	Compliance
00300	Bid Form
00440	COVID-19 Bid Opening
00450	Delivery of Sealed Bids
00500	Agreement
00540	Liquidated Damages
00610	Performance Bond
00615	Payment Bond
00700	General Conditions
00810	Supplemental Conditions
00811	Liquid Asphalt Price Adjustments
00812	Fuel Price Adjustments
00813	Structural Steel Price Adjustments
00814	Portland Cement Price Adjustments
00815	Base Prices
00821	Permits

**ATTACHMENTS**

A	Special Provisions
B	Standard Details
C	Map of Streets

SECTION 00010

INVITATION TO BID

**2021 RECONSTRUCTION AND RESURFACING OF STREETS AND SIDEWALKS CH90**

Location of Work: City of Waltham Massachusetts. Sealed Bids for construction of the 2021 Reconstruction and Resurfacing of Streets and Sidewalks CH90 will be received by City of Waltham Purchasing Department 610 Main Street Waltham, Massachusetts until **10:00 a.m., September 20th, 2021** at which time and place all bids will be publicly opened and bids read aloud via ZOOM. Please see our City's website for details. Bids submitted after this time will not be accepted.

Contract Documents may be obtained by visiting the City's web site at [www.city.waltham.ma.us/open-bids](http://www.city.waltham.ma.us/open-bids) after **August 25h, 2021**.

**BID SECURITIES** shall be in amount of 5% of the bid and in the form of a certified check drawn upon a bank within the State of Massachusetts or a bid bond executed by a surety company authorized to do business in Massachusetts, made payable to the **OWNER**.

The successful bidder must furnish a 100% **PERFORMANCE** and **PAYMENT BOND** and will be required to execute the Contract Agreement within five (5) days following notification of the acceptance of his Bid. The **OWNER** reserves the right to reject any or all bids, to accept any bid, to waive any informality on bids received, and to omit any item or items deemed advisable for the best interests of the **OWNER**. The award of the contract may be contingent upon the appropriation of funds by the Waltham City Council. All costs associated with the preparation of the bids shall be the responsibility of the bidder, regardless of whether or not the Contract is awarded.

Prequalification is required for all Bidder's by the Massachusetts Department of Transportation under M.G.L. c. 90, § 34.

END OF SECTION

---

## **SECTION 00100 - INSTRUCTION TO BIDDERS**

### **PART 1 - GENERAL**

#### **1.01 SCHEDULE OF DATES**

- A. Advertisement appears in Central Register, Plans and Specifications ready for Bidders at [www.city.waltham.ma.us/bids](http://www.city.waltham.ma.us/bids).
- B. **Pre-bid meeting:** N/A
- C. **Questions** and requests for interpretations may be submitted in writing via e-mail ONLY to [cphilpott@city.waltham.ma.us](mailto:cphilpott@city.waltham.ma.us) up to **5 days before Bid due date**.
- D. Addenda will be issued with interpretations as determined by the Purchasing Department only via e-mail and posting on the web site.
- E. **General Bids Deadline:** **10.00 A.M. Monday September 20th, 2021** in the Purchasing Department, City Hall, 610 Main Street, Waltham, MA 02452, Attn: Crystal Philpott where the bids will be publicly open and read via ZOOM. See the City's website for details.

#### **1.02 BIDDING PROCEDURE**

##### **COVID-19 BID OPENING (TEMPORARY).**

Based on the Covid-19 Health Emergency, in-person bid or proposal openings are not required at the present time to satisfy Chapter 30B. If a bid is not opened at a public meeting, Chapter 30B requires that the opening be in the presence of a witness or witnesses. Under the current emergency, the opening does not need to be witnessed in person. The opening can be livestreamed for the witnesses and recorded for public record purposes.

City of Waltham will not hold in-person bid openings or proposals. However, the city will continue to record and prepare a spreadsheet showing all of the prices received and distribute the same to all interested parties. Copies of the same bid results will also be posted in the City web site at [www.city.waltham.ma.us/bids](http://www.city.waltham.ma.us/bids)

- A. Bids for the work are subject to the provisions of Massachusetts General Laws, Chapter 30, 39M, as amended and Chapter 90, 34. Regulations governing the bidding procedures as set forth in the above mentioned amended General Laws must be followed.

- 
- B. In the event of any inconsistencies between any of the provisions of these Contract Documents and of the cited statute, anything herein to the contrary notwithstanding, the provisions of the said statute shall control.
  - C. No General Bid received by the Awarding Authority after the time respectively established herein for the opening of General Bids will be considered, regardless of the cause for the delay in the receipt of any such bid.

#### 1.03 WITHDRAWAL OF BIDS

- A. Bids may be withdrawn prior to the time respectively established for the opening of General Bids only on written request to the Awarding Authority.

#### 1.04 INTERPRETATION OF CONTRACT DOCUMENTS

- A. No oral interpretation will be made to any bidder. All questions or requests for interpretations must be made in writing ONLY to [cphilpott@city.waltham.ma.us](mailto:cphilpott@city.waltham.ma.us).
- B. Every interpretation made to a bidder will be in the form of an Addendum to the drawings and/or specifications, which will be made available to all persons to whom Contract Documents have been issued.
- C. Failure of the Awarding Authority to send or of any bidder to receive any such Addendum shall not relieve any bidder from obligation under his bid as submitted.
- D. All such Addenda shall become a part of the Contract Documents.

#### 1.05 EXAMINATION OF SITE AND CONTRACT DOCUMENTS

- A. Each bidder may visit the site of the proposed work and fully acquaint himself with conditions as they exist, and may also thoroughly examine the Contract Documents. Failure of any bidder to visit the site and acquaint himself with the Contract Documents shall not relieve any bidder from any obligation with respect to his bid.
- B. By submitting a bid, the bidder agrees that the Contract Documents are adequate and that the required result for a full and complete installation can be produced. The successful bidder shall furnish any and all labor, materials, insurance, permits and all other items needed to produce the required result to the satisfaction of the Awarding Authority.

#### 1.06 BID SECURITY

- A. The General Contractor's bid must be accompanied by bid security in the amount of five percent (5%) of the bid.

- 
- B. At the option of the bidder, the security may be bid bond, certified, treasurer's or cashier's check issued by a responsible bank or trust company. No other type of bid security is acceptable.

Bid Bonds shall be issued by a Surety Company qualified to do business under the laws of the Commonwealth of Massachusetts.

- C. Certified, Treasurer's or Cashier's check shall be made payable to the City of Waltham, Massachusetts.
- D. The bid security shall secure the execution of the Contract and the furnishing of a Performance and Payment Bond by the successful General Bidder for 100% of the contract value.
- E. Should any General Bidder to whom an award is made fail to enter into a contract therefore within five (5) days, Saturdays, Sundays and Legal Holidays, excluded, after notice of award has been mailed to him or fail within such time to furnish a Performance Bond and also a Labor and Materials or Payment Bond as required, the amount so received from such General Bidder through his Bid Bond, Certified, Treasurer's or Cashier's check as bid deposit shall become the property of the City of Waltham, Massachusetts as liquidated damages; provided that the amount of the bid deposit, which becomes the property of the City of Waltham, Massachusetts, shall not in any event exceed the difference between his bid price and the bid price of the next lowest responsible and eligible bidder; and provided further that, in case of death, disability, bona fide clerical error or mechanical error of a substantial nature, or other unforeseen circumstances affecting the General Bidder, his deposit shall be returned to him.

#### 1.07 BID FORM

- A. General Bids shall be submitted on the "FORM FOR GENERAL BID" enclosed. Erasures or other changes must be explained or noted over the signature of the bidder.
- B. Bid forms must be completely filled in. Bids which are incomplete, conditional, or obscure, or which contain additions not called for will be rejected.
- C. General Bidders shall submit one set of executed bid forms to the Awarding Authority.

#### 1.08 SUBMISSION OF BIDS AND BID SECURITIES

- A. Each bid submitted by a General Contractor shall be enclosed in a sealed envelope that shall be placed with the bid security in an outer envelope. The outer envelope shall be sealed and clearly marked as follows:

(Firm Name): \_\_\_\_\_  
2021 RECONSTRUCTION AND  
RESURFACING OF STREETS AND  
SIDEWALKS CH90

---

1.09 AWARD OF CONTRACT

- A. The Contract shall be awarded to the lowest responsible and eligible General Bidder on the basis of competitive bids in accordance with the procedure set forth in the provision of Chapter 30, §39M of the General Laws of the Commonwealth of Massachusetts.
- B. If the bidder selected as the General Contractor fails to perform his agreement to execute a contract in accordance with the terms of his General Bid, and furnish a Performance Bond and also a Labor and Materials or Payment Bond, as stated in his General Bid an award shall be made to the next lowest responsible and eligible bidder.
- C. The words “lowest responsible and eligible bidder” shall be the bidder whose name is the lowest of those bidders possessing the skill, ability and integrity necessary for the faithful performance of the work and who shall certify that he is able to furnish labor that can work in harmony with all other elements of labor employed, or to be employed, on the work. Essential information in regard to such qualifications shall be submitted in such form as the Awarding Authority may require.
- D. Action on the award will be taken within sixty (60) days, Saturdays, Sundays and Legal Holidays excluded after the opening of the bids.

1.10 SECURITY FOR FAITHFUL PERFORMANCE

- A. The successful bidder must deliver to the Awarding Authority simultaneously with his delivery of the executed contract, an executed Performance Bond, and also a Labor and materials or Payment Bond, each issued by a surety company qualified to do business under the laws of the Commonwealth and satisfactory to the Awarding Authority and each in the sum of One Hundred Percent (100%) of the Contract Price, as surety for the faithful performance of his contract, and for the payment of all persons performing labor or furnishing materials in connection therewith. Said bonds shall provide that, if the General Contractor fails or refuses to complete the Contract, the Surety Company will be obligated to do so.
- B. Premiums are to be paid by the General Contractor, and are to be included in the Contract Price.

1.11 EQUAL OPPORTUNITY

- A. The City of Waltham is an Equal Opportunity employer and will require compliance with the minority business enterprise plan (MBE) on file in the Purchasing Department

1.12 PRE-BID WALK-THRU

- A. **N/A**

---

1.13 SITE VISITS

Prospective bidders are encouraged to visit the site at their own schedule prior to the Bid Opening.

**Site visits during COVID 19.** For the time being and while the COVID-19 Emergency is in effect, site visits will not be organized, held or required by the City. However, interested parties may, at their own discretion visit the project site assuming that the visit does not interfere with the privacy of abutting residents and that it complies with the Governor's COVID-19 Guidelines. Therefore, The City will not schedule, organize and host site visits and Pre-bid briefings. Interested contractors are encouraged to ask clarification questions via email only to [cphilpott@city.waltham.ma.us](mailto:cphilpott@city.waltham.ma.us). Written questions must be received by the City's Purchasing Department no later than 5 working days prior to the bid opening date. All questions will be answered formally via an addendum a copy of which will be emailed to all vendors of record and a copy posted in the city web site.

A.

1.14 CONTRACT DOCUMENTS

A. The Awarding Authority shall make available the bid documents and addenda in the City Web site at [www.city.waltham.ma.us/bids](http://www.city.waltham.ma.us/bids). No plans will be mailed.

1.15 EQUALITY

A. Except where otherwise specifically provided to the contrary, the words “or approved equal” are hereby inserted immediately following the name or description of each article, assembly, system, or any component part thereof in the Contract Documents. It is the Contractor’s responsibility to provide all the research and documentation that would prove a product or assembly is “equal”. Failure to provide research or documentation does not alleviate the Contractor’s responsibility to meet the schedule.

1.16 TAX FREE NUMBER

A. The City of Waltham has a tax-free number.

1.17 SCHEDULE

A. The work of the Contract shall be Complete in **365 calendar days** after the date of the Notice-to-Proceed and **not including weather-related shut-downs.**

1.18 INTENTIONALLY LEFT BLANK



---

1.19 WEEKLY JOB MEETINGS

- A. There will be a weekly job meeting at the site on the same agreed-upon day and time. Time will be provided to discuss and view the progress of the work and to answer questions. The Contractor's job Superintendent and Project Manager shall attend each meeting. The City reserves the right to have job meetings conducted in the location of its choosing.

1.20 PROJECT SUPERINTENDENT

- A. The Contractor shall provide the same person as Superintendent for the entire duration of the project. Failure to maintain the same person in this position shall result in a One Thousand Dollar (\$1,000.00) penalty per incident which shall cover the Architect's time to re-orient new personnel.

1.21 AWARD

- A. The Awarding Authority reserves the right to reject any or all bids if it be in the public interest to do so, and to act upon the bids and make its award in any lawful manner. An award shall be made no less than 90 days from the Bid Opening Date.

1.22 PREVAILING WAGE SCHEDULE

- A. Bids shall be made on the basis of the Prevailing Wage Schedule, as determined by the Commissioner of Labor and Industries, pursuant to the provision of the Massachusetts General Laws. The Prevailing wage Schedule for this project can be found in the City's web Site at [www.city.waltham.ma.us/bids](http://www.city.waltham.ma.us/bids)

1.23 CONFLICT OF INTEREST

- A. A bidder filing a proposal thereby certifies that the proposal is made in good faith, without fraud, collusion, or connection of any kind with any other bidder for the same work, and that the bidder is competing solely on its own behalf without connection with, or obligation to, any undisclosed person or firm.

1.24 PROCEED ORDERS

- A. No bidder is to proceed without a proceed order as set out in the contract.

1.25 INTENTIONALLY LEFT BLANK

1.26 COMPLIANCE WITH MASSACHUSETTS GENERAL LAWS

- 
- A. Pursuant to Massachusetts General Laws, Chapter 62C, Section 49A, I certify under the penalty of perjury that I, to the best of my knowledge and belief have filed all state tax returns and paid all the state taxes required under law.

#### 1.27 CONSTRUCTION BARRICADES

- A. The General Contractor shall provide all barricades to enclose the work area to prevent unauthorized access to the site.
  - 1. The barricades shall provide enough room for all construction activities to be performed while separated from pedestrians, students, and staff on site.
  - 2. Safety is the sole responsibility of the Contractor and any barricades necessary to protect the work and the public shall be provided.
  - 3. Provide entrance protection.

#### 1.28 INSURANCE

- A. The contractor shall purchase and maintain, at his expense all insurance required by the Contract. Documents and all insurance required by the applicable laws of Massachusetts, including but not limited to, General Laws, Chapter 146, in connection with all hoisting equipment.
- B. The Contractor shall purchase and maintain such insurance as will protect him from claims under workmen's compensation acts and from claims for damages because of bodily injury, including death and all property damage including, without limitation, damage to buildings and adjoining the site of construction which might arise from and during operations under this contract, whether such operations be by himself or by any subcontractor or anyone directly or indirectly employed by either of them including:
  - 1. Statutory Worker's Compensation and Employer's Liability

The contractor shall provide insurance for the payment of compensation and the furnishing of other benefits under Chapter 152 of the General Laws (so-called Worker's Compensation Act) to all persons to be employed under this contract and shall continue in force such insurance as aforesaid shall be deemed a material breach of this Contract and shall operate as an immediate termination thereof. The contractor shall, without limiting the generality of the foregoing, conform to the provisions of Section 34A of Chapter 149 of the General Laws, which Section is incorporated herein by reference and made a part of hereof.
  - 2. Comprehensive General Liability Insurance

---

Minimum bodily injury limits of \$ 1,000,000 per person and \$ 1,000,000 per accident, and property damage limits of \$ 500,000 per accident and \$ 1,000,000 aggregate during any 12-month period, shall include the following:

- a. Public liability (bodily injury and property damage)
- b. X.C.U. (explosion, collapse, and underground utilities)
- c. Independent contractor's protective liability.
- d. Products and completed operations.
- e. Save harmless agreement for Owner and Architects set forth in ARTICLE 10.11 of the GENERAL CONDITIONS.

3. Comprehensive All Risk Motor Vehicle Liability Insurance

Minimum bodily injury limits of \$ 500,000 per person, \$ 1,000,000 per accident, and property damage limit of \$ 1,000,000 per accident.

4. All Risk Insurance

Covering all Contractors' equipment with a provision for Waiver of Subrogation against the Owner.

5. Excess Liability Insurance in Umbrella Form with combined Bodily Injury and Property Damage Limit of \$ 1,000,000.

6. **City of Waltham shall be a Named Additional Insured with a Waiver of Subrogation on the insurance policy for this project.**

1.29 SITE ACCESS

A. The General Contractor shall gain access to the site via routes approved by the Owner.

1. The General Contractor as part of the bid price will restore all roads, curbs, driveways, walks and grassed or landscaped areas damaged during construction.

1.30 CONSTRUCTION TRAILER

A. The General Contractor shall locate the construction trailer at locations approved by the Owner.

B. The General Contractor shall locate all on site stored or staged materials within the enclosed area designated by the Owner.

1.31 INTENTIONALLY LEFT BLANK

1.32 COMPLETE BID FORMS

- 
- A. Please Note: Each bidder must fill in all the blanks on all the bid forms, even if the information is “zero dollars” or “not applicable”. Also, please acknowledge all Addenda issued by the Awarding Authority.

2.00 FUNDS APPROPRIATION and LOAN AUTHORIZATION.

- A THE CONTRACT OBLIGATION ON BEHALF OF THE CITY IS SUBJECT TO PRIOR APPROPRIATION OF MONIES FROM THE GOVERNMENTAL BODY AND AUTHORIZATION BY THE MAYOR.

3.0 CITY ORDINANCE. APPROVAL OF CONTRACTS BY MAYOR, SEC. 3-12 OF THE CITY ORDINANCES.

- A All contract made by any department, board or commission where the amount involved is two thousand dollars (\$2,000) or more shall be in writing, and no such contract shall be deemed to have been made or executed until the approval of the Mayor is affixed thereto. Any construction contract shall, and all other contracts may, where the contract exceed five thousand dollars (\$5,000) be required to be accompanied by a bond with sureties satisfactory to the Mayor

Signature of Individual or Corporate Name

By:

\_\_\_\_\_  
(Signature of Corporate Officer if applicable)

Title: \_\_\_\_\_

Social Security Number or Federal Identification Number: \_\_\_\_\_

END OF SECTION

**Section 00200**

# **Compliance**

**The documents in this section shall bear "wet" Original signatures and returned with your bid**

# Compliance

The compliance documents in this section must be completed, signed and returned **with your bid package.**

## Purchasing Department

City of Waltham  
610 Main Street  
Waltham, MA 02452

Failure to submit the completed documents will cause the disqualification of the proposal.

### Section Index

Check when Complete

- Non-collusion form and Tax Compliance form..... \_\_\_\_\_
- Corporation Identification Form..... \_\_\_\_\_
- Certificate of Vote Authorization..... \_\_\_\_\_
- Certificate of Insurance (showing all limits of WC &GL)..... \_\_\_\_\_
- Three (3) References..... \_\_\_\_\_
- 5% Bid Bond or Certified Check>..... \_\_\_\_\_
- Debarment Certificate ..... \_\_\_\_\_
- Prevailing Wage Certificate..... \_\_\_\_\_
- Right-to-know Law..... \_\_\_\_\_
- OSHA 10 Certificate for all Assigned Employees (MGL ch30, §39M and Ch 149) \_\_\_\_\_

**Before the commencement of the Job, the contractor must provide to the above office:**

- Performance and Payment Bonds **each** for 100% of the contract value and naming the City of Waltham

Your Company's Name: \_\_\_\_\_

Service or Product Bid \_\_\_\_\_

**NOTE:** Failure to submit any of the required documents, in this or in other sections, with your bid response package may cause the disqualification of your proposal.

**NON-COLLUSION FORM AND TAX COMPLIANCE FORM**

**CERTIFICATE OF NON-COLLUSION**

The undersigned certifies under penalties of perjury that this bid or proposal has been made and submitted in good faith and without collusion or fraud with any other person. As used in this certification, the word "person" shall mean any natural person, business, partnership, corporation, union, committee, club, or other organization, entity or group of individuals. The undersigned certifies that no representations made by any City officials, employees, entity, or group of individuals other than the Purchasing Agent of the City of Waltham was relied upon in the making of this bid

\_\_\_\_\_, \_\_\_\_\_  
(Signature of person signing bid or proposal)      Date

\_\_\_\_\_  
(Name of business)

---

Wet Signature Required

**TAX COMPLIANCE CERTIFICATION**

Pursuant to M.G.L. c. 62C, & 49A, I certify under the penalties of perjury that, to the best of my knowledge and belief, I am in compliance with all laws of the Commonwealth relating to taxes, reporting of employees and contractors, and withholding and remitting child support.

\_\_\_\_\_, \_\_\_\_\_  
Signature of person submitting bid or proposal      Date

\_\_\_\_\_  
Name of business

**NOTE**

Failure to submit any of the required documents, in this or in other sections, with your bid response package may cause the disqualification of your proposal.

**CERTIFICATE OF VOTE OF AUTHORIZATION**

Date:

I \_\_\_\_\_, Clerk of \_\_\_\_\_ hereby certify that at a meeting of the Board of Directors of said Corporation duly held on the \_\_\_\_\_ day of \_\_\_\_\_ at which time a quorum was present and voting throughout, the following vote was duly passed and is now in full force and effect:

VOTED: That \_\_\_\_\_ (*name*) is hereby authorized, directed and empowered for the name and on behalf of this Corporation to sign, seal with the corporate seal, execute, acknowledge and deliver all contracts and other obligations of this Corporation; the execution of any such contract to be valid and binding upon this Corporation for all purposes, and that this vote shall remain in full force and effect unless and until the same has been altered, amended or revoked by a subsequent vote of such directors and a certificate of such later vote attested by the Clerk of this Corporation.

I further certify that \_\_\_\_\_ is duly elected/appointed \_\_\_\_\_ of said corporation

SIGNED:

(Corporate Seal)

\_\_\_\_\_  
Clerk of the Corporation:

Print Name: \_\_\_\_\_

---

COMMONWEALTH OF MASSACHUSETTS

County of \_\_\_\_\_

Date:

Then personally appeared the above named and acknowledged the foregoing instrument to be their free act and deed before me, \_\_\_\_\_

Notary Public;

My Commission expires: \_\_\_\_\_



**CORPORATION IDENTIFICATION**

The bidder for the information of the Awarding Authority furnishes the following information.

**If a Corporation:**

Incorporated in what state \_\_\_\_\_

President \_\_\_\_\_

Treasurer \_\_\_\_\_

Secretary \_\_\_\_\_

Federal ID Number \_\_\_\_\_

**If a foreign (out of State) Corporation – Are you registered to do business in Massachusetts?**

Yes \_\_\_\_\_, No \_\_\_\_\_

If you are selected for this work you are required under M.G.L.ch. 30S, 39L to obtain from the Secretary of State, Foreign Corp. Section, State House, Boston, a certificate stating that you Corporation is registered, and furnish said certificate to the Awarding Authority prior to the award.

**If a Partnership: (Name all partners)**

Name of partner \_\_\_\_\_

Residence \_\_\_\_\_

Name of partner \_\_\_\_\_

Residence \_\_\_\_\_

**If an Individual:**

Name \_\_\_\_\_

Residence \_\_\_\_\_

**If an Individual doing business under a firm's name:**

Name of Firm \_\_\_\_\_

Name of Individual \_\_\_\_\_

Business Address \_\_\_\_\_

Residence \_\_\_\_\_

Date \_\_\_\_\_

Name of Bidder \_\_\_\_\_

By \_\_\_\_\_

Signature \_\_\_\_\_

Title \_\_\_\_\_

Business Address \_\_\_\_\_ (POST OFFICE BOX NUMBER NOT ACCEPTABLE)

State Telephone Number \_\_\_\_\_

Today's Date \_\_\_\_\_

**PROVIDE THREE (3) SERVICE APPROPRIATE REFERENCES**

1. Company Name:

Address:

Contact Name:

Phone #

Type of service/product provided to this Company:

Dollar value of service provided to this Company:

2. Company Name:

Address:

Contact Name:

Phone #

Type of service/product provided to this Company:

Dollar value of service provided to this Company:

3. Company Name:

Address:

Contact Name:

Phone #

Type of service/product provided to this Company:

Dollar value of service provided to this Company:

**NOTE**

**Failure to submit any of the required documents, in this or in other sections, with your bid response package will be cause for the disqualification of your company.**

**WEEKLY PAYROLL RECORDS REPORT &  
STATEMENT OF COMPLIANCE**

In accordance with Massachusetts General Law c. 149, §27B, a true and accurate record must be kept of all persons employed on the public works project for which the enclosed rates have been provided, A Payroll Form has been printed on the reverse of this page and includes all the information required to be kept by law. Every contractor or subcontractor is required to keep these records and preserve them for a period of three years from the date of completion of the contract.

In addition, every contractor and subcontractor is required to submit, on a weekly basis, a copy of his or her weekly payroll records to the awarding authority. For every week in which an apprentice is employed, a photocopy of the apprentice's identification card must be attached to the payroll report. Once collected, the awarding authority is also required to preserve those reports for three years.

In addition, each such contractor, subcontractor, or public body shall furnish to the awarding authority directly, within fifteen days after completion of its portion of the work, a statement, executed by the contractor, subcontractor or public body who supervises the payment of wages, in the following form:

---

**STATEMENT OF COMPLIANCE**

\_\_\_\_\_, 20\_\_\_\_

I \_\_\_\_\_,  
(Name of signatory party) (Title)

I do hereby state that I pay or supervise the payment of the persons employed by

\_\_\_\_\_ on the \_\_\_\_\_  
(Contractor, subcontractor or public body) (Building or project)

and that all mechanics and apprentices, teamsters, chauffeurs and laborers employed on said project have been paid in accordance with wages determined under the provisions of sections twenty-six and twenty-seven of chapter one hundred and forty nine of the General Laws.

Signature \_\_\_\_\_, Title \_\_\_\_\_

Print \_\_\_\_\_

WEEKLY PAYROLL REPORT FORM

Company Name: \_\_\_\_\_  Prime Contractor

Project Name: \_\_\_\_\_  Subcontractor

Awarding Auth.: \_\_\_\_\_ List Prime Contractor: \_\_\_\_\_

Work Week Ending: \_\_\_\_\_ Employer Signature: \_\_\_\_\_

Final Report Print Name & Title: \_\_\_\_\_

Employee Name & Address	Work Classification	Hours Worked							(A) Tot. Hrs.	(B) Hourly Base Wage	Employer Contributions			(F) [B+C+D+E] Hourly Total Wage (prev. wage)	(G) [A * F] Weekly Total Amount	
		S	M	T	W	T	F	S			(C) Health & Welfare	(D) Pension	(E) Supp. Unemp.			

NOTE: Every contractor and subcontractor is required to submit a copy of their weekly payroll records to the awarding authority.

**RIGHT TO KNOW LAW**

Any vendor who receives an order or orders resulting from this invitation agrees to submit a Material Safety Data Sheet (MSDS) for each toxic or hazardous substance or mixture containing such substance, pursuant to M.G.L. c. 111F, §§8,9 and 10 and the regulations contained in 441 CMR 21.06 when deliveries are made. The vendor agrees to deliver all containers properly labeled pursuant to M.G.L. c. 111F §7 and regulations contained in 441 CMR 21.05. Failure to furnish MSDS and/or labels on each container may result in civil or criminal penalties, including bid debarment and action to prevent the vendor from selling said substances, or mixtures containing said substances within the Commonwealth. All vendors furnishing substances or mixtures subject to Chapter 111F or M.G.L. are cautioned to obtain and read the laws, rules and regulations referenced above. Copies may be obtained from the State House Bookstore, Secretary of State, State House, Room 117, Boston, MA (617) 727-2834.

---

Authorized Signature Indicating Compliance with the Right-to-know laws:

---

Signature Date

---

Print Name

**NOTE**

Failure to submit any of the required documents, in this or in other sections, with your bid response package may cause the disqualification of your proposal.

**DEBARMENT CERTIFICATION**

In connection with this bid and all procurement transactions, by signature thereon, the respondent certifies that neither the company nor its principals are suspended, debarred, proposed for debarment, declared ineligible, or voluntarily excluded from the award of contracts, procurement or non procurement programs from the Commonwealth of Massachusetts, the US Federal Government and /or the City of Waltham. "Principals" means officers, directors, owners, partners and persons having primary interest, management or supervisory responsibilities with the business entity. Vendors shall provide immediate written notification to the Purchasing Agent of the City of Waltham at any time during the period of the contract of prior to the contract award if the vendor learns of any changed condition with regards to the debarment of the company or its officers. This certification is a material representation of fact upon which reliance will be placed when making the business award. If at any time it is determined that the vendor knowingly misrepresented this certification, in addition to other legal remedies available to the city of Waltham, the contract will be cancelled and the award revoked.

---

Company Name \_\_\_\_\_

Address \_\_\_\_\_

City \_\_\_\_\_, State \_\_\_\_\_, Zip Code \_\_\_\_\_

Phone Number (\_\_\_\_) \_\_\_\_\_

E-Mail Address \_\_\_\_\_

Signed by Authorized Company Representative:

\_\_\_\_\_

Print name \_\_\_\_\_,

Date \_\_\_\_\_

**10 HOURS OSHA TRAINING CONFIRMATION**

**Chapter 306 of the Acts of 2004**

**CONSTRUCTION PROJECTS**

**AN ACT RELATIVE TO THE HEALTH AND SAFETY ON PUBLIC**

The undersigned hereby certifies that all employees to be employed at a worksite for construction, reconstruction, alteration, remodeling, repair, installation, demolition, maintenance or repair of any public work or any public building estimated to cost more than \$10,000.00 have successfully completed a course in construction safety and health approved by the **United States Occupational Safety and Health Administration** that is at least **10 hours** in duration at the time the employee begins work and who shall furnish documentation of successful completion of said course with the first payroll report for each employee and will comply with all laws and regulations applicable to awards of subcontracts subject to section 44F.

Company Name: \_\_\_\_\_

Address: \_\_\_\_\_

Signature: \_\_\_\_\_

Title: \_\_\_\_\_

Print Name \_\_\_\_\_

Date \_\_\_\_\_

***See Chapter 306 of the Acts of 2004***

**NOTE**

**Failure to submit any of the required documents, in this or in other sections, with your bid response package will be cause for the disqualification of your company.**

SECTION 300

BID FORM

To the City of Waltham, Massachusetts:

Regarding: **2021 Reconstruction and Resurfacing of Streets and Sidewalks CH90**

**The Owner reserves the right to reject any bid in the event that any bid item or items are obviously unbalanced or appear to the Owner to be so unbalanced as to affect or to be liable to affect adversely any interest of the Owner.**

**The Owner reserves the right to reject any or all bids if it deems it to be in its best interest to do so. The Owner reserves the right to award the Contract based on sufficiency of appropriated funds to complete the work.**

**The undersigned states that no officer, agent, or employees of the Owner directly or indirectly have a financial interest in this Bid.**

The undersigned, as Contractor, declares as follows:

- The only parties interested in this Bid as Principals are named herein.
- This Bid is made without collusion with any other person, firm, or corporation.
- No officer, agent, or employee of the Owner is directly or indirectly interested in this Bid.
- The Contractor has carefully examined the proposed Work and fully informed and satisfied himself as to the conditions there existing, the character and requirements of the proposed Work, the difficulties attendant upon its execution and the accuracy of all estimated quantities stated in this Bid, and has carefully read and examined the annexed proposed AGREEMENT and the Specifications and other Contract Documents therein referred to and knows and understands the terms and provisions thereof.
- Understands that information relative to subsurface and other conditions, natural phenomena, existing pipes, and other structures (surface and/or subsurface) has been furnished only for his information and convenience without any warranty or guarantee, expressed or implied, that the subsurface and/or other conditions, natural phenomena, existing pipes, and other structures (surface and/or subsurface) actually encountered will be the same as those shown within the Contract Documents and agrees that the Contractor shall not use or be entitled to use any such information made available to him through Contract Documents or otherwise or obtained by him in his own examination of the site, as a basis or ground for any claim against the Owner of the Engineer arising from or by reason of any variance which may exist between the aforesaid information made available to or acquired by him and the subsurface and/or other conditions, natural phenomena, existing pipes, and other structures (surface and/or subsurface) actually encountered during the construction work, and has made due allowance therefore in this BID.



- The Contractor understands that the quantities of work tabulated in this Bid or indicated in the Specifications of other Contract Documents are only approximate and are subject to increase or decrease as deemed necessary by the Engineer.
- The Contractor agrees that, if this BID is accepted will contract with the Owner, as provided in the copy of the Contract Documents deposited in the office of the Engineer, this BID from being part of said Contract Documents, and that the Contractor will perform all the work and furnish all the materials and equipment, and provide all labor, services, plant, machinery, apparatus, appliances, tools, supplies, and all other things required by the Contract Documents in the manner and within the time therein prescribes and according to the requirements of the Engineer as therein set forth, and that the Contractor will take in full payment therefore the lump sum or unit price applicable to each item of the Work as states in the schedule below.

**Contractors must bid on each Item.**

Refer to Section Special Provisions for Measurement and Payment for Item Descriptions.

**BASE SCOPE OF WORK BID FORM**

The Base Bid include all the work of the Contractor, being all work covered by Items 102 through 999, inclusive.

2021 Reconstruction and Resurfacing of Streets and Sidewalks CH90

ITEM NO.	QUANTITY	UNIT	ITEM DESCRIPTION WITH UNIT BID PRICE WRITTEN IN WORDS	UNIT PRICE IN FIGURES	AMOUNT
102	88	EACH	TREE PLANTING (2-INCH CALIPER) AT _____ per each		
103	87	EACH	TREE REMOVED (DIAMETER UNDER 24 INCHES) AT _____ per each		
104	1	EACH	TREE REMOVED (DIAMETER 24 INCHES AND OVER) AT _____ per each		
105	90	EACH	STUMP REMOVED AT _____ per each		
120.1	5500	CY	UNCLASSIFIED EXCAVATION AT _____ per cubic yard		
129	11000	SY	PAVEMENT MILLING AT _____ per square yard		
151	1500	CY	GRAVEL BORROW AT _____ per cubic yard		
220	250	EACH	DRAINAGE STRUCTURE ADJUSTED AT _____ per each		
220.5	250	VF	DRAINAGE STRUCTURE REMODELED AT _____ per vertical foot		
220.7	100	EA	SANITARY STRUCTURE ADJUSTED AT _____ per each		

221.1	10	EA	FRAME AND COVER OR GRATE – MUNICIPAL STANDARD AT _____ per each		
<b>ITEM NO.</b>	<b>QUANTITY</b>	<b>UNIT</b>	<b>ITEM DESCRIPTION WITH UNIT BID PRICE WRITTEN IN WORDS</b>	<b>UNIT PRICE IN FIGURES</b>	<b>AMOUNT</b>
357.06	10	EACH	6 INCH SERVICE GATE BOX AT _____ per each		
358.1	400	EACH	SIDEWALK GATE BOX ADJUSTED AT _____ per each		
358.2	300	EACH	ROADWAY GATE BOX ADJUSTED AT _____ per each		
402	1000	CY	DENSE GRADED CRUSHED STONE FOR SUB-BASE AT _____ per cubic yard		
403	48000	SY	RECLAIMED PAVEMENT FOR BASE COURSE AT _____ per square yard		
440	2500	LB	CALCIUM CHLORIDE FOR ROADWAY DUST CONTROL AT _____ per pound		
460	15000	TON	HOT MIX ASPHALT AT _____ per ton		
460.3	7500	TON	HOT MIX ASPHALT FOR NIGHT WORK AT _____ per ton		
464	3000	GAL	BITUMEN FOR TACK COAT AT _____ per gallon		
470	20000	LF	BIT. CONC. CURB TYPE 2 AT _____ per linear foot		
472.2	1000	SY	HOT MIX ASPHALT FOR PERMANENT PATCH (5") AT _____ per square yard		
504	2650	LF	GRANITE CURB TYPE VA4 – STRAIGHT AT _____ per linear foot		
504.1	600	LF	GRANITE CURB TYPE VA4 – CURVED AT _____ per linear foot		

514	5	EACH	GRANITE CURB INLET – STRAIGHT AT _____ per each		
<b>ITEM NO.</b>	<b>QUANTITY</b>	<b>UNIT</b>	<b>ITEM DESCRIPTION WITH UNIT BID PRICE WRITTEN IN WORDS</b>	<b>UNIT PRICE IN FIGURES</b>	<b>AMOUNT</b>
515	5	EACH	GRANITE CURB INLET – CURVED AT _____ per each		
516	60	EACH	GRANITE CURB CORNER TYPE A AT _____ per each		
517	1	EACH	GRANITE CURB CORNER TYPE B AT _____ per each		
520	2000	LF	CONCRETE CURB – STRAIGHT AT _____ per linear foot		
520.1	50	LF	CONCRETE CURB – CURVED AT _____ per linear foot		
580	3500	LF	CURB REMOVED AND RESET AT _____ per linear foot		
697.1	150	EA	SILT SACK AT _____ per each		
701	4500	SY	CEMENT CONCRETE SIDEWALK AT _____ per square yard		
701.1	3500	SY	CEMENT CONCRETE DRIVEWAY AT _____ per square yard		
701.2	1000	SY	CEMENT CONCRETE WHEELCHAIR RAMP AT _____ per square yard		
701.3	82	EACH	DETECTABLE TILE SURFACE FOR HANDICAP RAMPS AT _____ per each		
702	9000	SY	HOT MIX ASPHALT WALK SURFACE AT _____ per square yard		
703	4000	SY	HOT MIX ASPHALT DRIVEWAY AT _____ per square yard		

711	2	EACH	BOUND REMOVED AND RESET AT _____ per each		
<b>ITEM NO.</b>	<b>QUANTITY</b>	<b>UNIT</b>	<b>ITEM DESCRIPTION WITH UNIT BID PRICE WRITTEN IN WORDS</b>	<b>UNIT PRICE IN FIGURES</b>	<b>AMOUNT</b>
711.1	40	EACH	STONE BOUND FRAME AND COVER AT _____ per each		
751.2	6000	SY	LOAM BORROW AND SEEDING AT _____ per square yard		
765.65	2000	SY	LOAM BORROW AND HYDRO SEEDING AT _____ per square yard		
801.3	1000	LF	3" TRAFFIC CONDUIT AT _____ per linear foot		
819.837	1000	LF	LOOP DETECTORS WITH LEAD-IN WIRES AT _____ per linear foot		
850	1	LS	TRAFFIC CONTROL AT _____ per lump sum		
854.014	1000	LF	TEMPORARY PAVING MARKINGS – 4" (PAINTED) AT _____ per linear foot		
854.1	100	SF	PAVEMENT MARKING REMOVAL AT _____ per square foot		
864.04	2000	SF	PAVEMENT ARROWS AND LEGENDS REFL. WHITE (THERMOPLASTIC) AT _____ per square foot		
864.05	30	EACH	SHARROW (PAINTED) AT _____ per each		
865.1	11500	SF	CROSS WALKS AND STOP LINES REFL. WHITE (THERMOPLASTIC) AT _____ per square foot		
868.04	3000	LF	4 INCH REFLECTORIZED THERMOPLASTIC LINE (WHITE OR YELLOW) AT _____ per linear foot		

870	250	DY	PORTABLE MESSAGE BOARD AT _____ per day		
<b>ITEM NO.</b>	<b>QUANTITY</b>	<b>UNIT</b>	<b>ITEM DESCRIPTION WITH UNIT BID PRICE WRITTEN IN WORDS</b>	<b>UNIT PRICE IN FIGURES</b>	<b>AMOUNT</b>
999.001	250000	AL	TRAFFIC POLICE AT _____ per allowance		\$ 250,000.00
<b>TOTAL BASE BID:</b>  (Basis for determining lowest bid)					

Price written in:

Words (Dollars and Cents)

Figures

\*\*\*\* Indeterminate quantities. These quantities are not guaranteed. Payment will be based on actual quantities constructed. \*\*\*\*

Basis of Award: The basis of award shall be at the Owner's sole discretion.

The Contractor hereby agrees that he will not withdraw this BID within thirty (30) consecutive calendar days after the actual date of the opening of Bids and that, if the Owner shall accept this BID, the Contractor will duly execute and acknowledge the AGREEMENT and furnish, duly executed and acknowledge, the required CONTRACT BONDS within ten (10) calendar days after notification that the AGREEMENT and other Contract Documents are Ready for signature.

If this BID is accepted by the Owner, the undersigned agrees to substantially complete work provided to be done under the Contract within **365 calendar days**, as stipulated in the AGREEMENT.

A performance bond in an amount equal to 50 percent of the total amount of the bid with a surety company qualified to do business in the Commonwealth of Massachusetts will be required for the faithful performance of the contract, as well as a labor and materials bond in an amount equal to 50 percent of the total bid amount.

This Proposal must bear the written signature of the Contractor or that of his duly authorized agent. If the Contractor is a corporation or a partnership, the Bid must be signed by a duly authorized officer of such corporation or by a Partner and the title of such officer must be stated. Satisfactory completion of the following data is an essential part of submission of this Proposal and is required. Bid must be embossed with corporate seal.

(SEAL)

\_\_\_\_\_  
(Name of Contractor)

By: \_\_\_\_\_  
(Signature and title of authorized representative)

Date: \_\_\_\_\_

\_\_\_\_\_  
(Telephone Number)

\_\_\_\_\_  
(Business Address)

\_\_\_\_\_  
(Fax Number)

\_\_\_\_\_  
(City and State)

END OF SECTION 00300



## **Section 00450**

### **DELIVERY OF SEALED BIDS**

Due to the COVID-19 Public Health Emergency, to ensure that all bids are received on time, the City is asking that you follow the procedure below:

#### **IF THE BID IS MAILED:**

The best delivery service is US Postal Service. While UPS, FEDEX and other carries do not have access to City Hall, the US Postal Service delivers inside City Hall daily. It is best to use the USPS overnight service to deliver your sealed bid.

#### **IF THE BID IS DROPPED OFF:**

The best way to make sure the bid is received on time and without cutting it too close to the bid deadline, is to have the bid dropped off the weekday before the due date. When dropping off the bid the day before the due date, the City is asking that you call ahead 781-314-3244 or 781-314-3240 so that the Purchasing Department can meet you at the door to accept your bid envelope.

**SECTION 00500**  
**AGREEMENT**  
**CITY OF WALTHAM**

This agreement, made this \_\_\_\_\_ day of \_\_\_\_\_, 2021 by and between the CITY OF WALTHAM, party of the first part, hereinafter called the CITY, by its MAYOR, and \_\_\_\_\_ hereinafter called the CONTRACTOR.

Witnesseth, that the parties to this agreement, each in consideration of the agreement on the part of the others herein contained, do hereby agree, the CITY OF WALTHAM for itself, and said contractor for his heirs, executors, administrators and assigns as follows:

CITY OF WALTHAM, MASSACHUSETTS

**FOR THE CITY**

\_\_\_\_\_  
Jeannette A. McCarthy, Mayor  
City of Waltham  
Date: \_\_\_\_\_

\_\_\_\_\_  
John Cervone, City Solicitor  
Date: \_\_\_\_\_  
APPROVED AS TO FORM ONLY

\_\_\_\_\_  
Michael Chiasson, CPW Director  
Date: \_\_\_\_\_

\_\_\_\_\_  
Crystal Philpott, Purchasing Agent  
Date: \_\_\_\_\_

\_\_\_\_\_  
Paul Centofanti, Auditor  
Date: \_\_\_\_\_

**FOR THE COMPANY**

\_\_\_\_\_  
CONTRACTOR (Signature),  
Date: \_\_\_\_\_

\_\_\_\_\_  
Company

\_\_\_\_\_  
Address

I CERTIFY THAT SUFFICIENT FUNDS ARE AVAILABLE FOR THIS CONTRACT

**Section 00540**  
**LIQUIDATED DAMAGES**

Should a Contractor fail to complete his work on or before the time set forth or as provided in the Contract Documents covering extension of time, the Owner may retain an amount of \$500.00 per calendar day as liquidated damages for each calendar day in accordance with the provisions of that section.

**SECTION 0 06 10**

**PERFORMANCE BOND**

**CITY OF WALTHAM**

KNOW ALL PERSONS BY THESE PRESENT THAT,

\_\_\_\_\_ as

principal and \_\_\_\_\_ as surety, are held and firmly bound unto the CITY OF WALTHAM and to such persons, firms, and corporations, who may furnish materials for or perform labor on the work, construction or improvements contemplated in the Contract hereinafter mentioned, or who may have any suits or claims for injury or damage to persons or property resulting from or arising out of the work done under this Contract, in the

SUM OF \_\_\_\_\_ DOLLARS (\$ \_\_\_\_\_)

(lawful money of the United States of America) for the payment whereof the Contractor and the Surety of Sureties bind themselves and their heirs, executors, administrators, successors and assigns, jointly and severally, firmly by these presents.

THE CONDITION OF THIS OBLIGATION IS SUCH, THAT for the above burden (the Contractor) its

\_\_\_\_\_ heirs, executors, administrators and assigns, shall faithfully perform the Contract, on his part and during the life of any guaranty or warranty, for defective materials and workmanship required under this Contract, and satisfy all claims and demands incurred for the same; and shall fully indemnify and save harmless the City from all cost and damage which it may suffer by reason of failure so to do, and shall fully reimburse and repay the City all outlay and expense which the City may incur in making good any such default, and shall promptly make payment to all persons supplying labor or materials for use in the prosecution of the work provided for in said Contract; and shall indemnify and save harmless the said City, its officers and agents from any and all suits or claims for injury or damage to persons or property resulting from or arising out of the work done under this Contract, then this obligation shall be null and void; otherwise it shall remain in full force and effect.

PROVIDED, HOWEVER, that (except as to the City) no suit, action or proceeding by reason of any default whatever shall be brought on this Bond after two years from the day on which the final payment under the Contract falls due.

AND PROVIDED, that any alterations which may be made in the terms of the Contract or in the work to be done under it, or any assignment, transfer or subletting of any part of the work, or the giving by the City of any extension of time for the performance of the Contract, or any other forbearance on the part of either the City or the Contractor to the other, shall not in any way release the Contractor and the Surety of Sureties, or either or any of them, their heirs, executors, administrators, successors or assigns from their liability hereunder, notice to the Surety or Sureties of any such alterations, assignment, transfer, subletting extension or forbearance being hereby waived.

This Bond is made for the use and benefit of all persons, firms, and corporations who may furnish materials, or perform any labor for or on account of said work, construction or improvements, or who may have any suits or claims for injury or damage to persons or property resulting from or arising out of the work done under this Contract, and they and each of them are hereby made obligees hereunder the same as if their own proper names were written herein as such, and they and each of them may sue hereon in their own names for their own use and benefit.

And the Surety, for value received, hereby stipulates and agrees that no change, extension of time, alteration or addition to the terms of the Contract or to the work to be performed hereunder, or the Specifications accompanying the same, shall in any way affect its obligations on this Bond, and it does hereby waive notice of any such changes, extension of time, alteration or addition to the terms of the Contract or to the work, or to the Specifications.

IN WITNESS WHEREOF, said Contractor and Surety have hereunto set their respective names this

\_\_\_\_\_ day of \_\_\_\_\_, 20\_\_\_\_\_.

WITNESSES:

(CONTRACTOR)

(SEAL)

NAME \_\_\_\_\_ BY \_\_\_\_\_  
(SIGNATURE AND TITLE)

ADDRESS \_\_\_\_\_  
(SURETY) (SEAL)

NAME \_\_\_\_\_ BY \_\_\_\_\_  
(SIGNATURE AND TITLE)

ADDRESS \_\_\_\_\_ BY \_\_\_\_\_  
(ATTORNEY-IN-FACT)

POWER OF ATTORNEY

Attorneys-in-fact who sign bonds must file with each bond a certified copy of their power of attorney to sign said bonds.

**SECTION 00 50 20**

**PAYMENT BOND**

**CITY OF WALTHAM**

KNOW ALL PERSONS BY THESE PRESENT THAT,

\_\_\_\_\_ as

principal and \_\_\_\_\_ as  
surety, are held and firmly bound unto the CITY OF WALTHAM and to such persons, firms, and corporations, who may furnish materials for or perform labor on the work, construction or improvements contemplated in the Contract hereinafter mentioned, or who may have any suits or claims for injury or damage to persons or property resulting from or arising out of the work done under this Contract, in the

SUM OF \_\_\_\_\_ DOLLARS (\$ \_\_\_\_\_ )  
(lawful money of the United States of America) for the payment whereof the Contractor and the Surety of Sureties bind themselves and their heirs, executors, administrators, successors and assigns, jointly and severally, firmly by these presents.

THE CONDITION OF THIS OBLIGATION IS SUCH, THAT for the above burden (the Contractor) its

\_\_\_\_\_ heirs, executors, administrators and assigns, shall faithfully perform the Contract, on his part and during the life of any guaranty or warranty, for defective materials and workmanship required under this Contract, and satisfy all claims and demands incurred for the same; and shall fully indemnify and save harmless the City from all cost and damage which it may suffer by reason of failure so to do, and shall fully reimburse and repay the City all outlay and expense which the City may incur in making good any such default, and shall promptly make payment to all persons supplying labor or materials for use in the prosecution of the work provided for in said Contract; and shall indemnify and save harmless the said City, its officers and agents from any and all suits or claims for injury or damage to persons or property resulting from or arising out of the work done under this Contract, then this obligation shall be null and void; otherwise it shall remain in full force and effect.

PROVIDED, HOWEVER, that (except as to the City) no suit, action or proceeding by reason of any default whatever shall be brought on this Bond after two years from the day on which the final payment under the Contract falls due.

AND PROVIDED, that any alterations which may be made in the terms of the Contract or in the work to be done under it, or any assignment, transfer or subletting of any part of the work, or the giving by the City of any extension of time for the payment of the Contract, or any other forbearance on the part of either the City or the Contractor to the other, shall not in any way release the Contractor and the Surety of Sureties, or either or any of them, their heirs, executors, administrators, successors or assigns from their liability hereunder, notice to the Surety or Sureties of any such alterations, assignment, transfer, subletting extension or forbearance being hereby waived.

This Bond is made for the use and benefit of all persons, firms, and corporations who may furnish materials, or perform any labor for or on account of said work, construction or improvements, or who

may have any suits or claims for injury or damage to persons or property resulting from or arising out of the work done under this Contract, and they and each of them are hereby made obligees hereunder the same as if their own proper names were written herein as such, and they and each of them may sue hereon in their own names for their own use and benefit.

And the Surety, for value received, hereby stipulates and agrees that no change, extension of time, alteration or addition to the terms of the Contract or to the work to be performed hereunder, or the Specifications accompanying the same, shall in any way affect its obligations on this Bond, and it does hereby waive notice of any such changes, extension of time, alteration or addition to the terms of the Contract or to the work, or to the Specifications.

IN WITNESS WHEREOF, said Contractor and Surety have hereunto set their respective names this

\_\_\_\_\_ day of \_\_\_\_\_, 20\_\_\_\_.

WITNESSES:

(CONTRACTOR)

(SEAL)

NAME \_\_\_\_\_ BY \_\_\_\_\_  
(SIGNATURE AND TITLE)

ADDRESS \_\_\_\_\_  
(SURETY) (SEAL)

NAME \_\_\_\_\_ BY \_\_\_\_\_  
(SIGNATURE AND TITLE)

ADDRESS \_\_\_\_\_ BY \_\_\_\_\_  
(ATTORNEY-IN-FACT)

POWER OF ATTORNEY

Attorneys-in-fact who sign bonds must file with each bond a certified copy of their power of attorney to sign said bonds.

# STANDARD GENERAL CONDITIONS OF THE CONSTRUCTION CONTRACT

## TABLE OF CONTENTS

	<b>Page</b>
Article 1 – Definitions and Terminology .....	1
1.01    Defined Terms .....	1
1.02    Terminology .....	5
Article 2 – Preliminary Matters .....	6
2.01    Delivery of Bonds and Evidence of Insurance .....	6
2.02    Copies of Documents .....	6
2.03    Before Starting Construction .....	6
2.04    Preconstruction Conference; Designation of Authorized Representatives .....	7
2.05    Initial Acceptance of Schedules .....	7
2.06    Electronic Transmittals .....	7
Article 3 – Documents: Intent, Requirements, Reuse .....	8
3.01    Intent .....	8
3.02    Reference Standards .....	8
3.03    Reporting and Resolving Discrepancies .....	8
3.04    Requirements of the Contract Documents .....	9
3.05    Reuse of Documents .....	10
Article 4 – Commencement and Progress of the Work .....	10
4.01    Commencement of Contract Times; Notice to Proceed .....	10
4.02    Starting the Work .....	10
4.03    Reference Points .....	10
4.04    Progress Schedule .....	10
4.05    Delays in Contractor’s Progress .....	11
Article 5 – Availability of Lands; Subsurface and Physical Conditions; Hazardous Environmental Conditions .....	12
5.01    Availability of Lands .....	12
5.02    Use of Site and Other Areas .....	12
5.03    Subsurface and Physical Conditions .....	13
5.04    Differing Subsurface or Physical Conditions .....	14
5.05    Underground Facilities .....	15



5.06	Hazardous Environmental Conditions at Site .....	17
Article 6 – Bonds and Insurance .....		19
6.01	Performance, Payment, and Other Bonds .....	19
6.02	Insurance—General Provisions .....	19
6.03	Contractor’s Insurance .....	20
6.04	Owner’s Liability Insurance .....	23
6.05	Property Insurance .....	23
6.06	Waiver of Rights .....	25
6.07	Receipt and Application of Property Insurance Proceeds .....	25
Article 7 – Contractor’s Responsibilities .....		26
7.01	Supervision and Superintendence .....	26
7.02	Labor; Working Hours .....	26
7.03	Services, Materials, and Equipment.....	26
7.04	“Or Equals” .....	27
7.05	Substitutes .....	28
7.06	Concerning Subcontractors, Suppliers, and Others .....	29
7.07	Patent Fees and Royalties .....	31
7.08	Permits .....	31
7.09	Taxes .....	32
7.10	Laws and Regulations.....	32
7.11	Record Documents.....	32
7.12	Safety and Protection.....	32
7.13	Safety Representative .....	33
7.14	Hazard Communication Programs .....	33
7.15	Emergencies .....	34
7.16	Shop Drawings, Samples, and Other Submittals.....	34
7.17	Contractor’s General Warranty and Guarantee.....	36
7.18	Indemnification .....	37
7.19	Delegation of Professional Design Services .....	37
Article 8 – Other Work at the Site .....		38
8.01	Other Work .....	38
8.02	Coordination .....	39
8.03	Legal Relationships.....	39

Article 9 – Owner’s Responsibilities.....	40
9.01    Communications to Contractor.....	40
9.02    Replacement of Engineer .....	40
9.03    Furnish Data .....	40
9.04    Pay When Due.....	40
9.05    Lands and Easements; Reports, Tests, and Drawings .....	40
9.06    Insurance .....	40
9.07    Change Orders.....	40
9.08    Inspections, Tests, and Approvals.....	41
9.09    Limitations on Owner’s Responsibilities .....	41
9.10    Undisclosed Hazardous Environmental Condition.....	41
9.11    Evidence of Financial Arrangements.....	41
9.12    Safety Programs .....	41
Article 10 – Engineer’s Status During Construction.....	41
10.01   Owner’s Representative.....	41
10.02   Visits to Site.....	41
10.03   Project Representative.....	42
10.04   Rejecting Defective Work.....	42
10.05   Shop Drawings, Change Orders and Payments.....	42
10.06   Determinations for Unit Price Work .....	42
10.07   Decisions on Requirements of Contract Documents and Acceptability of Work .....	42
10.08   Limitations on Engineer’s Authority and Responsibilities.....	42
10.09   Compliance with Safety Program.....	43
Article 11 – Amending the Contract Documents; Changes in the Work .....	43
11.01   Amending and Supplementing Contract Documents .....	43
11.02   Owner-Authorized Changes in the Work .....	44
11.03   Unauthorized Changes in the Work .....	44
11.04   Change of Contract Price .....	44
11.05   Change of Contract Times .....	45
11.06   Change Proposals .....	45
11.07   Execution of Change Orders.....	46
11.08   Notification to Surety.....	47
Article 12 – Claims.....	47

12.01	Claims .....	47
Article 13 –	Cost of the Work; Allowances; Unit Price Work.....	48
13.01	Cost of the Work .....	48
13.02	Allowances .....	50
13.03	Unit Price Work .....	51
Article 14 –	Tests and Inspections; Correction, Removal or Acceptance of Defective Work.....	52
14.01	Access to Work.....	52
14.02	Tests, Inspections, and Approvals.....	52
14.03	Defective Work.....	53
14.04	Acceptance of Defective Work.....	53
14.05	Uncovering Work .....	53
14.06	Owner May Stop the Work .....	54
14.07	Owner May Correct Defective Work.....	54
Article 15 –	Payments to Contractor; Set-Offs; Completion; Correction Period .....	55
15.01	Progress Payments.....	55
15.02	Contractor’s Warranty of Title .....	58
15.03	Substantial Completion.....	58
15.04	Partial Use or Occupancy .....	59
15.05	Final Inspection .....	59
15.06	Final Payment.....	59
15.07	Waiver of Claims .....	61
15.08	Correction Period .....	61
Article 16 –	Suspension of Work and Termination .....	62
16.01	Owner May Suspend Work .....	62
16.02	Owner May Terminate for Cause .....	62
16.03	Owner May Terminate For Convenience .....	63
16.04	Contractor May Stop Work or Terminate .....	63
Article 17 –	Final Resolution of Disputes .....	64
17.01	Methods and Procedures.....	64
Article 18 –	Miscellaneous .....	64
18.01	Giving Notice .....	64
18.02	Computation of Times.....	64
18.03	Cumulative Remedies .....	64

18.04 Limitation of Damages ..... 65  
18.05 No Waiver ..... 65  
18.06 Survival of Obligations ..... 65  
18.07 Controlling Law ..... 65  
18.08 Headings..... 65



## ARTICLE 1 – DEFINITIONS AND TERMINOLOGY

### 1.01 *Defined Terms*

- A. Wherever used in the Bidding Requirements or Contract Documents, a term printed with initial capital letters, including the term's singular and plural forms, will have the meaning indicated in the definitions below. In addition to terms specifically defined, terms with initial capital letters in the Contract Documents include references to identified articles and paragraphs, and the titles of other documents or forms.
1. *Addenda*—Written or graphic instruments issued prior to the opening of Bids which clarify, correct, or change the Bidding Requirements or the proposed Contract Documents.
  2. *Agreement*—The written instrument, executed by Owner and Contractor, that sets forth the Contract Price and Contract Times, identifies the parties and the Engineer, and designates the specific items that are Contract Documents.
  3. *Application for Payment*—The form acceptable to Engineer which is to be used by Contractor during the course of the Work in requesting progress or final payments and which is to be accompanied by such supporting documentation as is required by the Contract Documents.
  4. *Bid*—The offer of a Bidder submitted on the prescribed form setting forth the prices for the Work to be performed.
  5. *Bidder*—An individual or entity that submits a Bid to Owner.
  6. *Bidding Documents*—The Bidding Requirements, the proposed Contract Documents, and all Addenda.
  7. *Bidding Requirements*—The advertisement or invitation to bid, Instructions to Bidders, Bid Bond or other Bid security, if any, the Bid Form, and the Bid with any attachments.
  8. *Change Order*—A document which is signed by Contractor and Owner and authorizes an addition, deletion, or revision in the Work or an adjustment in the Contract Price or the Contract Times, or other revision to the Contract, issued on or after the Effective Date of the Contract.
  9. *Change Proposal*—A written request by Contractor, duly submitted in compliance with the procedural requirements set forth herein, seeking an adjustment in Contract Price or Contract Times, or both; contesting an initial decision by Engineer concerning the requirements of the Contract Documents or the acceptability of Work under the Contract Documents; challenging a set-off against payments due; or seeking other relief with respect to the terms of the Contract.
  10. *Claim*—(a) A demand or assertion by Owner directly to Contractor, duly submitted in compliance with the procedural requirements set forth herein: seeking an adjustment of Contract Price or Contract Times, or both; contesting an initial decision by Engineer concerning the requirements of the Contract Documents or the acceptability of Work under the Contract Documents; contesting Engineer's decision regarding a Change Proposal; seeking resolution of a contractual issue that Engineer has declined to address; or seeking other relief with respect to the terms of the Contract; or (b) a demand or assertion by Contractor directly to Owner, duly submitted in compliance with the procedural requirements set forth herein, contesting Engineer's decision regarding a Change Proposal; or seeking resolution of a contractual issue that Engineer

has declined to address. A demand for money or services by a third party is not a Claim.

11. *Constituent of Concern*—Asbestos, petroleum, radioactive materials, polychlorinated biphenyls (PCBs), hazardous waste, and any substance, product, waste, or other material of any nature whatsoever that is or becomes listed, regulated, or addressed pursuant to (a) the Comprehensive Environmental Response, Compensation and Liability Act, 42 U.S.C. §§9601 et seq. (“CERCLA”); (b) the Hazardous Materials Transportation Act, 49 U.S.C. §§5101 et seq.; (c) the Resource Conservation and Recovery Act, 42 U.S.C. §§6901 et seq. (“RCRA”); (d) the Toxic Substances Control Act, 15 U.S.C. §§2601 et seq.; (e) the Clean Water Act, 33 U.S.C. §§1251 et seq.; (f) the Clean Air Act, 42 U.S.C. §§7401 et seq.; or (g) any other federal, state, or local statute, law, rule, regulation, ordinance, resolution, code, order, or decree regulating, relating to, or imposing liability or standards of conduct concerning, any hazardous, toxic, or dangerous waste, substance, or material.
12. *Contract*—The entire and integrated written contract between the Owner and Contractor concerning the Work.
13. *Contract Documents*—Those items so designated in the Agreement, and which together comprise the Contract.
14. *Contract Price*—The money that Owner has agreed to pay Contractor for completion of the Work in accordance with the Contract Documents. .
15. *Contract Times*—The number of days or the dates by which Contractor shall: (a) achieve Milestones, if any; (b) achieve Substantial Completion; and (c) complete the Work.
16. *Contractor*—The individual or entity with which Owner has contracted for performance of the Work.
17. *Cost of the Work*—See Paragraph 13.01 for definition.
18. *Drawings*—The part of the Contract that graphically shows the scope, extent, and character of the Work to be performed by Contractor.
19. *Effective Date of the Contract*—The date, indicated in the Agreement, on which the Contract becomes effective.
20. *Engineer*—The individual or entity named as such in the Agreement.
21. *Field Order*—A written order issued by Engineer which requires minor changes in the Work but does not change the Contract Price or the Contract Times.
22. *Hazardous Environmental Condition*—The presence at the Site of Constituents of Concern in such quantities or circumstances that may present a danger to persons or property exposed thereto. The presence at the Site of materials that are necessary for the execution of the Work, or that are to be incorporated in the Work, and that are controlled and contained pursuant to industry practices, Laws and Regulations, and the requirements of the Contract, does not establish a Hazardous Environmental Condition.
23. *Laws and Regulations; Laws or Regulations*—Any and all applicable laws, statutes, rules, regulations, ordinances, codes, and orders of any and all governmental bodies, agencies, authorities, and courts having jurisdiction.

24. *Liens*—Charges, security interests, or encumbrances upon Contract-related funds, real property, or personal property.
25. *Milestone*—A principal event in the performance of the Work that the Contract requires Contractor to achieve by an intermediate completion date or by a time prior to Substantial Completion of all the Work.
26. *Notice of Award*—The written notice by Owner to a Bidder of Owner’s acceptance of the Bid.
27. *Notice to Proceed*—A written notice by Owner to Contractor fixing the date on which the Contract Times will commence to run and on which Contractor shall start to perform the Work.
28. *Owner*—The individual or entity with which Contractor has contracted regarding the Work, and which has agreed to pay Contractor for the performance of the Work, pursuant to the terms of the Contract.
29. *Progress Schedule*—A schedule, prepared and maintained by Contractor, describing the sequence and duration of the activities comprising the Contractor’s plan to accomplish the Work within the Contract Times.
30. *Project*—The total undertaking to be accomplished for Owner by engineers, contractors, and others, including planning, study, design, construction, testing, commissioning, and start-up, and of which the Work to be performed under the Contract Documents is a part.
31. *Project Manual*—The written documents prepared for, or made available for, procuring and constructing the Work, including but not limited to the Bidding Documents or other construction procurement documents, geotechnical and existing conditions information, the Agreement, bond forms, General Conditions, Supplementary Conditions, and Specifications. The contents of the Project Manual may be bound in one or more volumes.
32. *Resident Project Representative*—The authorized representative of Engineer assigned to assist Engineer at the Site. As used herein, the term Resident Project Representative or “RPR” includes any assistants or field staff of Resident Project Representative.
33. *Samples*—Physical examples of materials, equipment, or workmanship that are representative of some portion of the Work and that establish the standards by which such portion of the Work will be judged.
34. *Schedule of Submittals*—A schedule, prepared and maintained by Contractor, of required submittals and the time requirements for Engineer’s review of the submittals and the performance of related construction activities.
35. *Schedule of Values*—A schedule, prepared and maintained by Contractor, allocating portions of the Contract Price to various portions of the Work and used as the basis for reviewing Contractor’s Applications for Payment.
36. *Shop Drawings*—All drawings, diagrams, illustrations, schedules, and other data or information that are specifically prepared or assembled by or for Contractor and submitted by Contractor to illustrate some portion of the Work. Shop Drawings, whether approved or not, are not Drawings and are not Contract Documents.



37. *Site*—Lands or areas indicated in the Contract Documents as being furnished by Owner upon which the Work is to be performed, including rights-of-way and easements, and such other lands furnished by Owner which are designated for the use of Contractor.
38. *Specifications*—The part of the Contract that consists of written requirements for materials, equipment, systems, standards, and workmanship as applied to the Work, and certain administrative requirements and procedural matters applicable to the Work.
39. *Subcontractor*—An individual or entity having a direct contract with Contractor or with any other Subcontractor for the performance of a part of the Work.
40. *Substantial Completion*—The time at which the Work (or a specified part thereof) has progressed to the point where, in the opinion of Engineer, the Work (or a specified part thereof) is sufficiently complete, in accordance with the Contract Documents, so that the Work (or a specified part thereof) can be utilized for the purposes for which it is intended. The terms “substantially complete” and “substantially completed” as applied to all or part of the Work refer to Substantial Completion thereof.
41. *Successful Bidder*—The Bidder whose Bid the Owner accepts, and to which the Owner makes an award of contract, subject to stated conditions.
42. *Supplementary Conditions*—The part of the Contract that amends or supplements these General Conditions.
43. *Supplier*—A manufacturer, fabricator, supplier, distributor, materialman, or vendor having a direct contract with Contractor or with any Subcontractor to furnish materials or equipment to be incorporated in the Work by Contractor or a Subcontractor.
44. *Technical Data*—Those items expressly identified as Technical Data in the Supplementary Conditions, with respect to either (a) subsurface conditions at the Site, or physical conditions relating to existing surface or subsurface structures at the Site (except Underground Facilities) or (b) Hazardous Environmental Conditions at the Site. If no such express identifications of Technical Data have been made with respect to conditions at the Site, then the data contained in boring logs, recorded measurements of subsurface water levels, laboratory test results, and other factual, objective information regarding conditions at the Site that are set forth in any geotechnical or environmental report prepared for the Project and made available to Contractor are hereby defined as Technical Data with respect to conditions at the Site under Paragraphs 5.03, 5.04, and 5.06.
45. *Underground Facilities*—All underground pipelines, conduits, ducts, cables, wires, manholes, vaults, tanks, tunnels, or other such facilities or attachments, and any encasements containing such facilities, including but not limited to those that convey electricity, gases, steam, liquid petroleum products, telephone or other communications, fiber optic transmissions, cable television, water, wastewater, storm water, other liquids or chemicals, or traffic or other control systems.
46. *Unit Price Work*—Work to be paid for on the basis of unit prices.
47. *Work*—The entire construction or the various separately identifiable parts thereof required to be provided under the Contract Documents. Work includes and is the result of performing or providing all labor, services, and documentation necessary to produce such construction; furnishing, installing, and incorporating all materials and equipment into such construction; and may include related services such as testing, start-up, and commissioning, all as required by the Contract Documents.

48. *Work Change Directive*—A written directive to Contractor issued on or after the Effective Date of the Contract, signed by Owner and recommended by Engineer, ordering an addition, deletion, or revision in the Work.

## 1.02 Terminology

- A. The words and terms discussed in the following paragraphs are not defined but, when used in the Bidding Requirements or Contract Documents, have the indicated meaning.
- B. *Intent of Certain Terms or Adjectives:*
1. The Contract Documents include the terms “as allowed,” “as approved,” “as ordered,” “as directed” or terms of like effect or import to authorize an exercise of professional judgment by Engineer. In addition, the adjectives “reasonable,” “suitable,” “acceptable,” “proper,” “satisfactory,” or adjectives of like effect or import are used to describe an action or determination of Engineer as to the Work. It is intended that such exercise of professional judgment, action, or determination will be solely to evaluate, in general, the Work for compliance with the information in the Contract Documents and with the design concept of the Project as a functioning whole as shown or indicated in the Contract Documents (unless there is a specific statement indicating otherwise). The use of any such term or adjective is not intended to and shall not be effective to assign to Engineer any duty or authority to supervise or direct the performance of the Work, or any duty or authority to undertake responsibility contrary to the provisions of Article 10 or any other provision of the Contract Documents.
- C. *Day:*
1. The word “day” means a calendar day of 24 hours measured from midnight to the next midnight.
- D. *Defective:*
1. The word “defective,” when modifying the word “Work,” refers to Work that is unsatisfactory, faulty, or deficient in that it:
    - a. does not conform to the Contract Documents; or
    - b. does not meet the requirements of any applicable inspection, reference standard, test, or approval referred to in the Contract Documents; or
    - c. has been damaged prior to Engineer’s recommendation of final payment (unless responsibility for the protection thereof has been assumed by Owner at Substantial Completion in accordance with Paragraph 15.03 or 15.04).
- E. *Furnish, Install, Perform, Provide:*
1. The word “furnish,” when used in connection with services, materials, or equipment, shall mean to supply and deliver said services, materials, or equipment to the Site (or some other specified location) ready for use or installation and in usable or operable condition.
  2. The word “install,” when used in connection with services, materials, or equipment, shall mean to put into use or place in final position said services, materials, or equipment complete and ready for intended use.

3. The words “perform” or “provide,” when used in connection with services, materials, or equipment, shall mean to furnish and install said services, materials, or equipment complete and ready for intended use.
  4. If the Contract Documents establish an obligation of Contractor with respect to specific services, materials, or equipment, but do not expressly use any of the four words “furnish,” “install,” “perform,” or “provide,” then Contractor shall furnish and install said services, materials, or equipment complete and ready for intended use.
- F. Unless stated otherwise in the Contract Documents, words or phrases that have a well-known technical or construction industry or trade meaning are used in the Contract Documents in accordance with such recognized meaning.

## **ARTICLE 2 – PRELIMINARY MATTERS**

### **2.01 *Delivery of Bonds and Evidence of Insurance***

- A. *Bonds*: When Contractor delivers the executed counterparts of the Agreement to Owner, Contractor shall also deliver to Owner such bonds as Contractor may be required to furnish.
- B. *Evidence of Contractor’s Insurance*: When Contractor delivers the executed counterparts of the Agreement to Owner, Contractor shall also deliver to Owner, with copies to each named insured and additional insured (as identified in the Supplementary Conditions or elsewhere in the Contract), the certificates and other evidence of insurance required to be provided by Contractor in accordance with Article 6.
- C. *Evidence of Owner’s Insurance*: After receipt of the executed counterparts of the Agreement and all required bonds and insurance documentation, Owner shall promptly deliver to Contractor, with copies to each named insured and additional insured (as identified in the Supplementary Conditions or otherwise), the certificates and other evidence of insurance required to be provided by Owner under Article 6.

### **2.02 *Copies of Documents***

- A. Owner shall furnish to Contractor four printed copies of the Contract (including one fully executed counterpart of the Agreement), and one copy in electronic portable document format (PDF). Additional printed copies will be furnished upon request at the cost of reproduction.
- B. Owner shall maintain and safeguard at least one original printed record version of the Contract, including Drawings and Specifications signed and sealed by Engineer and other design professionals. Owner shall make such original printed record version of the Contract available to Contractor for review. Owner may delegate the responsibilities under this provision to Engineer.

### **2.03 *Before Starting Construction***

- A. *Preliminary Schedules*: Within 10 days after the Effective Date of the Contract (or as otherwise specifically required by the Contract Documents), Contractor shall submit to Engineer for timely review:
  1. a preliminary Progress Schedule indicating the times (numbers of days or dates) for starting and completing the various stages of the Work, including any Milestones specified in the Contract;
  2. a preliminary Schedule of Submittals; and

3. a preliminary Schedule of Values for all of the Work which includes quantities and prices of items which when added together equal the Contract Price and subdivides the Work into component parts in sufficient detail to serve as the basis for progress payments during performance of the Work. Such prices will include an appropriate amount of overhead and profit applicable to each item of Work.

2.04 *Preconstruction Conference; Designation of Authorized Representatives*

- A. Before any Work at the Site is started, a conference attended by Owner, Contractor, Engineer, and others as appropriate will be held to establish a working understanding among the parties as to the Work and to discuss the schedules referred to in Paragraph 2.03.A, procedures for handling Shop Drawings, Samples, and other submittals, processing Applications for Payment, electronic or digital transmittals, and maintaining required records.
- B. At this conference Owner and Contractor each shall designate, in writing, a specific individual to act as its authorized representative with respect to the services and responsibilities under the Contract. Such individuals shall have the authority to transmit and receive information, render decisions relative to the Contract, and otherwise act on behalf of each respective party.

2.05 *Initial Acceptance of Schedules*

- A. At least 10 days before submission of the first Application for Payment a conference, attended by Contractor, Engineer, and others as appropriate, will be held to review for acceptability to Engineer as provided below the schedules submitted in accordance with Paragraph 2.03.A. Contractor shall have an additional 10 days to make corrections and adjustments and to complete and resubmit the schedules. No progress payment shall be made to Contractor until acceptable schedules are submitted to Engineer.
  1. The Progress Schedule will be acceptable to Engineer if it provides an orderly progression of the Work to completion within the Contract Times. Such acceptance will not impose on Engineer responsibility for the Progress Schedule, for sequencing, scheduling, or progress of the Work, nor interfere with or relieve Contractor from Contractor's full responsibility therefor.
  2. Contractor's Schedule of Submittals will be acceptable to Engineer if it provides a workable arrangement for reviewing and processing the required submittals.
  3. Contractor's Schedule of Values will be acceptable to Engineer as to form and substance if it provides a reasonable allocation of the Contract Price to the component parts of the Work.

2.06 *Electronic Transmittals*

- A. Except as otherwise stated elsewhere in the Contract, the Owner, Engineer, and Contractor may transmit, and shall accept, Project-related correspondence, text, data, documents, drawings, information, and graphics, including but not limited to Shop Drawings and other submittals, in electronic media or digital format, either directly, or through access to a secure Project website.
- B. If the Contract does not establish protocols for electronic or digital transmittals, then Owner, Engineer, and Contractor shall jointly develop such protocols.
- C. When transmitting items in electronic media or digital format, the transmitting party makes no representations as to long term compatibility, usability, or readability of the items resulting from the recipient's use of software application packages, operating systems, or

computer hardware differing from those used in the drafting or transmittal of the items, or from those established in applicable transmittal protocols.

### **ARTICLE 3 – DOCUMENTS: INTENT, REQUIREMENTS, REUSE**

#### **3.01 *Intent***

- A. The Contract Documents are complementary; what is required by one is as binding as if required by all.
- B. It is the intent of the Contract Documents to describe a functionally complete project (or part thereof) to be constructed in accordance with the Contract Documents.
- C. Unless otherwise stated in the Contract Documents, if there is a discrepancy between the electronic or digital versions of the Contract Documents (including any printed copies derived from such electronic or digital versions) and the printed record version, the printed record version shall govern.
- D. The Contract supersedes prior negotiations, representations, and agreements, whether written or oral.
- E. Engineer will issue clarifications and interpretations of the Contract Documents as provided herein.

#### **3.02 *Reference Standards***

- A. Standards Specifications, Codes, Laws and Regulations
  - 1. Reference in the Contract Documents to standard specifications, manuals, reference standards, or codes of any technical society, organization, or association, or to Laws or Regulations, whether such reference be specific or by implication, shall mean the standard specification, manual, reference standard, code, or Laws or Regulations in effect at the time of opening of Bids (or on the Effective Date of the Contract if there were no Bids), except as may be otherwise specifically stated in the Contract Documents.
  - 2. No provision of any such standard specification, manual, reference standard, or code, or any instruction of a Supplier, shall be effective to change the duties or responsibilities of Owner, Contractor, or Engineer, or any of their subcontractors, consultants, agents, or employees, from those set forth in the part of the Contract Documents prepared by or for Engineer. No such provision or instruction shall be effective to assign to Owner, Engineer, or any of their officers, directors, members, partners, employees, agents, consultants, or subcontractors, any duty or authority to supervise or direct the performance of the Work or any duty or authority to undertake responsibility inconsistent with the provisions of the part of the Contract Documents prepared by or for Engineer.

#### **3.03 *Reporting and Resolving Discrepancies***

- A. *Reporting Discrepancies:*
  - 1. *Contractor's Verification of Figures and Field Measurements:* Before undertaking each part of the Work, Contractor shall carefully study the Contract Documents, and check and verify pertinent figures and dimensions therein, particularly with respect to applicable field measurements. Contractor shall promptly report in writing to Engineer any conflict, error, ambiguity, or discrepancy that Contractor discovers, or has actual knowledge of, and shall not proceed with any Work affected thereby until the conflict,

error, ambiguity, or discrepancy is resolved, by a clarification or interpretation by Engineer, or by an amendment or supplement to the Contract Documents issued pursuant to Paragraph 11.01.

2. *Contractor's Review of Contract Documents:* If, before or during the performance of the Work, Contractor discovers any conflict, error, ambiguity, or discrepancy within the Contract Documents, or between the Contract Documents and (a) any applicable Law or Regulation, (b) actual field conditions, (c) any standard specification, manual, reference standard, or code, or (d) any instruction of any Supplier, then Contractor shall promptly report it to Engineer in writing. Contractor shall not proceed with the Work affected thereby (except in an emergency as required by Paragraph 7.15) until the conflict, error, ambiguity, or discrepancy is resolved, by a clarification or interpretation by Engineer, or by an amendment or supplement to the Contract Documents issued pursuant to Paragraph 11.01.
3. Contractor shall not be liable to Owner or Engineer for failure to report any conflict, error, ambiguity, or discrepancy in the Contract Documents unless Contractor had actual knowledge thereof.

B. *Resolving Discrepancies:*

1. Except as may be otherwise specifically stated in the Contract Documents, the provisions of the part of the Contract Documents prepared by or for Engineer shall take precedence in resolving any conflict, error, ambiguity, or discrepancy between such provisions of the Contract Documents and:
  - a. the provisions of any standard specification, manual, reference standard, or code, or the instruction of any Supplier (whether or not specifically incorporated by reference as a Contract Document); or
  - b. the provisions of any Laws or Regulations applicable to the performance of the Work (unless such an interpretation of the provisions of the Contract Documents would result in violation of such Law or Regulation).

3.04 *Requirements of the Contract Documents*

- A. During the performance of the Work and until final payment, Contractor and Owner shall submit to the Engineer all matters in question concerning the requirements of the Contract Documents (sometimes referred to as requests for information or interpretation—RFIs), or relating to the acceptability of the Work under the Contract Documents, as soon as possible after such matters arise. Engineer will be the initial interpreter of the requirements of the Contract Documents, and judge of the acceptability of the Work thereunder.
- B. Engineer will, with reasonable promptness, render a written clarification, interpretation, or decision on the issue submitted, or initiate an amendment or supplement to the Contract Documents. Engineer's written clarification, interpretation, or decision will be final and binding on Contractor, unless it appeals by submitting a Change Proposal, and on Owner, unless it appeals by filing a Claim.
- C. If a submitted matter in question concerns terms and conditions of the Contract Documents that do not involve (1) the performance or acceptability of the Work under the Contract Documents, (2) the design (as set forth in the Drawings, Specifications, or otherwise), or (3) other engineering or technical matters, then Engineer will promptly give written notice to Owner and Contractor that Engineer is unable to provide a decision or interpretation. If Owner and Contractor are unable to agree on resolution of such a matter in question, either party may pursue resolution as provided in Article 12.

### 3.05 *Reuse of Documents*

- A. Contractor and its Subcontractors and Suppliers shall not:
  - 1. have or acquire any title to or ownership rights in any of the Drawings, Specifications, or other documents (or copies of any thereof) prepared by or bearing the seal of Engineer or its consultants, including electronic media editions, or reuse any such Drawings, Specifications, other documents, or copies thereof on extensions of the Project or any other project without written consent of Owner and Engineer and specific written verification or adaptation by Engineer; or
  - 2. have or acquire any title or ownership rights in any other Contract Documents, reuse any such Contract Documents for any purpose without Owner's express written consent, or violate any copyrights pertaining to such Contract Documents.
- B. The prohibitions of this Paragraph 3.05 will survive final payment, or termination of the Contract. Nothing herein shall preclude Contractor from retaining copies of the Contract Documents for record purposes.

## **ARTICLE 4 – COMMENCEMENT AND PROGRESS OF THE WORK**

### 4.01 *Commencement of Contract Times; Notice to Proceed*

- A. The Contract Times will commence to run on the thirtieth day after the Effective Date of the Contract or, if a Notice to Proceed is given, on the day indicated in the Notice to Proceed. A Notice to Proceed may be given at any time within 30 days after the Effective Date of the Contract. In no event will the Contract Times commence to run later than the sixtieth day after the day of Bid opening or the thirtieth day after the Effective Date of the Contract, whichever date is earlier.

### 4.02 *Starting the Work*

- A. Contractor shall start to perform the Work on the date when the Contract Times commence to run. No Work shall be done at the Site prior to such date.

### 4.03 *Reference Points*

- A. Owner shall provide engineering surveys to establish reference points for construction which in Engineer's judgment are necessary to enable Contractor to proceed with the Work. Contractor shall be responsible for laying out the Work, shall protect and preserve the established reference points and property monuments, and shall make no changes or relocations without the prior written approval of Owner. Contractor shall report to Engineer whenever any reference point or property monument is lost or destroyed or requires relocation because of necessary changes in grades or locations, and shall be responsible for the accurate replacement or relocation of such reference points or property monuments by professionally qualified personnel.

### 4.04 *Progress Schedule*

- A. Contractor shall adhere to the Progress Schedule established in accordance with Paragraph 2.05 as it may be adjusted from time to time as provided below.
  - 1. Contractor shall submit to Engineer for acceptance (to the extent indicated in Paragraph 2.05) proposed adjustments in the Progress Schedule that will not result in changing the Contract Times.

2. Proposed adjustments in the Progress Schedule that will change the Contract Times shall be submitted in accordance with the requirements of Article 11.
- B. Contractor shall carry on the Work and adhere to the Progress Schedule during all disputes or disagreements with Owner. No Work shall be delayed or postponed pending resolution of any disputes or disagreements, or during any appeal process, except as permitted by Paragraph 16.04, or as Owner and Contractor may otherwise agree in writing.

#### 4.05 *Delays in Contractor's Progress*

- A. If Owner, Engineer, or anyone for whom Owner is responsible, delays, disrupts, or interferes with the performance or progress of the Work, then Contractor shall be entitled to an equitable adjustment in the Contract Times and Contract Price. Contractor's entitlement to an adjustment of the Contract Times is conditioned on such adjustment being essential to Contractor's ability to complete the Work within the Contract Times.
- B. Contractor shall not be entitled to an adjustment in Contract Price or Contract Times for delay, disruption, or interference caused by or within the control of Contractor. Delay, disruption, and interference attributable to and within the control of a Subcontractor or Supplier shall be deemed to be within the control of Contractor.
- C. If Contractor's performance or progress is delayed, disrupted, or interfered with by unanticipated causes not the fault of and beyond the control of Owner, Contractor, and those for which they are responsible, then Contractor shall be entitled to an equitable adjustment in Contract Times. Contractor's entitlement to an adjustment of the Contract Times is conditioned on such adjustment being essential to Contractor's ability to complete the Work within the Contract Times. Such an adjustment shall be Contractor's sole and exclusive remedy for the delays, disruption, and interference described in this paragraph. Causes of delay, disruption, or interference that may give rise to an adjustment in Contract Times under this paragraph include but are not limited to the following:
1. severe and unavoidable natural catastrophes such as fires, floods, epidemics, and earthquakes;
  2. abnormal weather conditions;
  3. acts or failures to act of utility owners (other than those performing other work at or adjacent to the Site by arrangement with the Owner, as contemplated in Article 8); and
  4. acts of war or terrorism.
- D. Delays, disruption, and interference to the performance or progress of the Work resulting from the existence of a differing subsurface or physical condition, an Underground Facility that was not shown or indicated by the Contract Documents, or not shown or indicated with reasonable accuracy, and those resulting from Hazardous Environmental Conditions, are governed by Article 5.
- E. Paragraph 8.03 governs delays, disruption, and interference to the performance or progress of the Work resulting from the performance of certain other work at or adjacent to the Site.
- F. Contractor shall not be entitled to an adjustment in Contract Price or Contract Times for any delay, disruption, or interference if such delay is concurrent with a delay, disruption, or interference caused by or within the control of Contractor.



- G. Contractor must submit any Change Proposal seeking an adjustment in Contract Price or Contract Times under this paragraph within 30 days of the commencement of the delaying, disrupting, or interfering event.

## **ARTICLE 5 – AVAILABILITY OF LANDS; SUBSURFACE AND PHYSICAL CONDITIONS; HAZARDOUS ENVIRONMENTAL CONDITIONS**

### *5.01 Availability of Lands*

- A. Owner shall furnish the Site. Owner shall notify Contractor of any encumbrances or restrictions not of general application but specifically related to use of the Site with which Contractor must comply in performing the Work.
- B. Upon reasonable written request, Owner shall furnish Contractor with a current statement of record legal title and legal description of the lands upon which permanent improvements are to be made and Owner's interest therein as necessary for giving notice of or filing a mechanic's or construction lien against such lands in accordance with applicable Laws and Regulations.
- C. Contractor shall provide for all additional lands and access thereto that may be required for temporary construction facilities or storage of materials and equipment.

### *5.02 Use of Site and Other Areas*

#### *A. Limitation on Use of Site and Other Areas:*

1. Contractor shall confine construction equipment, temporary construction facilities, the storage of materials and equipment, and the operations of workers to the Site, adjacent areas that Contractor has arranged to use through construction easements or otherwise, and other adjacent areas permitted by Laws and Regulations, and shall not unreasonably encumber the Site and such other adjacent areas with construction equipment or other materials or equipment. Contractor shall assume full responsibility for (a) damage to the Site; (b) damage to any such other adjacent areas used for Contractor's operations; (c) damage to any other adjacent land or areas; and (d) for injuries and losses sustained by the owners or occupants of any such land or areas; provided that such damage or injuries result from the performance of the Work or from other actions or conduct of the Contractor or those for which Contractor is responsible.
2. If a damage or injury claim is made by the owner or occupant of any such land or area because of the performance of the Work, or because of other actions or conduct of the Contractor or those for which Contractor is responsible, Contractor shall (a) take immediate corrective or remedial action as required by Paragraph 7.12, or otherwise; (b) promptly attempt to settle the claim as to all parties through negotiations with such owner or occupant, or otherwise resolve the claim by arbitration or other dispute resolution proceeding, or at law; and (c) to the fullest extent permitted by Laws and Regulations, indemnify and hold harmless Owner and Engineer, and the officers, directors, members, partners, employees, agents, consultants and subcontractors of each and any of them from and against any such claim, and against all costs, losses, and damages (including but not limited to all fees and charges of engineers, architects, attorneys, and other professionals and all court or arbitration or other dispute resolution costs) arising out of or relating to any claim or action, legal or equitable, brought by any such owner or occupant against Owner, Engineer, or any other party indemnified hereunder to the extent caused directly or indirectly, in whole or in part

by, or based upon, Contractor's performance of the Work, or because of other actions or conduct of the Contractor or those for which Contractor is responsible.

- B. *Removal of Debris During Performance of the Work:* During the progress of the Work the Contractor shall keep the Site and other adjacent areas free from accumulations of waste materials, rubbish, and other debris. Removal and disposal of such waste materials, rubbish, and other debris shall conform to applicable Laws and Regulations.
- C. *Cleaning:* Prior to Substantial Completion of the Work Contractor shall clean the Site and the Work and make it ready for utilization by Owner. At the completion of the Work Contractor shall remove from the Site and adjacent areas all tools, appliances, construction equipment and machinery, and surplus materials and shall restore to original condition all property not designated for alteration by the Contract Documents.
- D. *Loading of Structures:* Contractor shall not load nor permit any part of any structure to be loaded in any manner that will endanger the structure, nor shall Contractor subject any part of the Work or adjacent structures or land to stresses or pressures that will endanger them.

### 5.03 *Subsurface and Physical Conditions*

- A. *Reports and Drawings:* The Supplementary Conditions identify:
  - 1. those reports known to Owner of explorations and tests of subsurface conditions at or adjacent to the Site;
  - 2. those drawings known to Owner of physical conditions relating to existing surface or subsurface structures at the Site (except Underground Facilities); and
  - 3. Technical Data contained in such reports and drawings.
- B. *Reliance by Contractor on Technical Data Authorized:* Contractor may rely upon the accuracy of the Technical Data expressly identified in the Supplementary Conditions with respect to such reports and drawings, but such reports and drawings are not Contract Documents. If no such express identification has been made, then Contractor may rely upon the accuracy of the Technical Data (as defined in Article 1) contained in any geotechnical or environmental report prepared for the Project and made available to Contractor. Except for such reliance on Technical Data, Contractor may not rely upon or make any claim against Owner or Engineer, or any of their officers, directors, members, partners, employees, agents, consultants, or subcontractors, with respect to:
  - 1. the completeness of such reports and drawings for Contractor's purposes, including, but not limited to, any aspects of the means, methods, techniques, sequences, and procedures of construction to be employed by Contractor, and safety precautions and programs incident thereto; or
  - 2. other data, interpretations, opinions, and information contained in such reports or shown or indicated in such drawings; or
  - 3. any Contractor interpretation of or conclusion drawn from any Technical Data or any such other data, interpretations, opinions, or information.

#### 5.04 *Differing Subsurface or Physical Conditions*

- A. *Notice by Contractor:* If Contractor believes that any subsurface or physical condition that is uncovered or revealed at the Site either:
1. is of such a nature as to establish that any Technical Data on which Contractor is entitled to rely as provided in Paragraph 5.03 is materially inaccurate; or
  2. is of such a nature as to require a change in the Drawings or Specifications; or
  3. differs materially from that shown or indicated in the Contract Documents; or
  4. is of an unusual nature, and differs materially from conditions ordinarily encountered and generally recognized as inherent in work of the character provided for in the Contract Documents;

then Contractor shall, promptly after becoming aware thereof and before further disturbing the subsurface or physical conditions or performing any Work in connection therewith (except in an emergency as required by Paragraph 7.15), notify Owner and Engineer in writing about such condition. Contractor shall not further disturb such condition or perform any Work in connection therewith (except with respect to an emergency) until receipt of a written statement permitting Contractor to do so.

- B. *Engineer's Review:* After receipt of written notice as required by the preceding paragraph, Engineer will promptly review the subsurface or physical condition in question; determine the necessity of Owner's obtaining additional exploration or tests with respect to the condition; conclude whether the condition falls within any one or more of the differing site condition categories in Paragraph 5.04.A above; obtain any pertinent cost or schedule information from Contractor; prepare recommendations to Owner regarding the Contractor's resumption of Work in connection with the subsurface or physical condition in question and the need for any change in the Drawings or Specifications; and advise Owner in writing of Engineer's findings, conclusions, and recommendations.
- C. *Owner's Statement to Contractor Regarding Site Condition:* After receipt of Engineer's written findings, conclusions, and recommendations, Owner shall issue a written statement to Contractor (with a copy to Engineer) regarding the subsurface or physical condition in question, addressing the resumption of Work in connection with such condition, indicating whether any change in the Drawings or Specifications will be made, and adopting or rejecting Engineer's written findings, conclusions, and recommendations, in whole or in part.
- D. *Possible Price and Times Adjustments:*
1. Contractor shall be entitled to an equitable adjustment in Contract Price or Contract Times, or both, to the extent that the existence of a differing subsurface or physical condition, or any related delay, disruption, or interference, causes an increase or decrease in Contractor's cost of, or time required for, performance of the Work; subject, however, to the following:
    - a. such condition must fall within any one or more of the categories described in Paragraph 5.04.A;
    - b. with respect to Work that is paid for on a unit price basis, any adjustment in Contract Price will be subject to the provisions of Paragraph 13.03; and,

- c. Contractor's entitlement to an adjustment of the Contract Times is conditioned on such adjustment being essential to Contractor's ability to complete the Work within the Contract Times.
2. Contractor shall not be entitled to any adjustment in the Contract Price or Contract Times with respect to a subsurface or physical condition if:
  - a. Contractor knew of the existence of such condition at the time Contractor made a commitment to Owner with respect to Contract Price and Contract Times by the submission of a Bid or becoming bound under a negotiated contract, or otherwise; or
  - b. the existence of such condition reasonably could have been discovered or revealed as a result of any examination, investigation, exploration, test, or study of the Site and contiguous areas expressly required by the Bidding Requirements or Contract Documents to be conducted by or for Contractor prior to Contractor's making such commitment; or
  - c. Contractor failed to give the written notice as required by Paragraph 5.04.A.
3. If Owner and Contractor agree regarding Contractor's entitlement to and the amount or extent of any adjustment in the Contract Price or Contract Times, or both, then any such adjustment shall be set forth in a Change Order.
4. Contractor may submit a Change Proposal regarding its entitlement to or the amount or extent of any adjustment in the Contract Price or Contract Times, or both, no later than 30 days after Owner's issuance of the Owner's written statement to Contractor regarding the subsurface or physical condition in question.

#### 5.05 *Underground Facilities*

- A. *Contractor's Responsibilities:* The information and data shown or indicated in the Contract Documents with respect to existing Underground Facilities at or adjacent to the Site is based on information and data furnished to Owner or Engineer by the owners of such Underground Facilities, including Owner, or by others. Unless it is otherwise expressly provided in the Supplementary Conditions:
  1. Owner and Engineer do not warrant or guarantee the accuracy or completeness of any such information or data provided by others; and
  2. the cost of all of the following will be included in the Contract Price, and Contractor shall have full responsibility for:
    - a. reviewing and checking all information and data regarding existing Underground Facilities at the Site;
    - b. locating all Underground Facilities shown or indicated in the Contract Documents as being at the Site;
    - c. coordination of the Work with the owners (including Owner) of such Underground Facilities, during construction; and
    - d. the safety and protection of all existing Underground Facilities at the Site, and repairing any damage thereto resulting from the Work.
- B. *Notice by Contractor:* If Contractor believes that an Underground Facility that is uncovered or revealed at the Site was not shown or indicated in the Contract Documents, or was not shown or indicated with reasonable accuracy, then Contractor shall, promptly after

becoming aware thereof and before further disturbing conditions affected thereby or performing any Work in connection therewith (except in an emergency as required by Paragraph 7.15), identify the owner of such Underground Facility and give written notice to that owner and to Owner and Engineer.

- C. *Engineer's Review:* Engineer will promptly review the Underground Facility and conclude whether such Underground Facility was not shown or indicated in the Contract Documents, or was not shown or indicated with reasonable accuracy; obtain any pertinent cost or schedule information from Contractor; prepare recommendations to Owner regarding the Contractor's resumption of Work in connection with the Underground Facility in question; determine the extent, if any, to which a change is required in the Drawings or Specifications to reflect and document the consequences of the existence or location of the Underground Facility; and advise Owner in writing of Engineer's findings, conclusions, and recommendations. During such time, Contractor shall be responsible for the safety and protection of such Underground Facility.
- D. *Owner's Statement to Contractor Regarding Underground Facility:* After receipt of Engineer's written findings, conclusions, and recommendations, Owner shall issue a written statement to Contractor (with a copy to Engineer) regarding the Underground Facility in question, addressing the resumption of Work in connection with such Underground Facility, indicating whether any change in the Drawings or Specifications will be made, and adopting or rejecting Engineer's written findings, conclusions, and recommendations in whole or in part.
- E. *Possible Price and Times Adjustments:*
  - 1. Contractor shall be entitled to an equitable adjustment in the Contract Price or Contract Times, or both, to the extent that any existing Underground Facility at the Site that was not shown or indicated in the Contract Documents, or was not shown or indicated with reasonable accuracy, or any related delay, disruption, or interference, causes an increase or decrease in Contractor's cost of, or time required for, performance of the Work; subject, however, to the following:
    - a. Contractor did not know of and could not reasonably have been expected to be aware of or to have anticipated the existence or actual location of the Underground Facility in question;
    - b. With respect to Work that is paid for on a unit price basis, any adjustment in Contract Price will be subject to the provisions of Paragraph 13.03;
    - c. Contractor's entitlement to an adjustment of the Contract Times is conditioned on such adjustment being essential to Contractor's ability to complete the Work within the Contract Times; and
    - d. Contractor gave the notice required in Paragraph 5.05.B.
  - 2. If Owner and Contractor agree regarding Contractor's entitlement to and the amount or extent of any adjustment in the Contract Price or Contract Times, or both, then any such adjustment shall be set forth in a Change Order.
  - 3. Contractor may submit a Change Proposal regarding its entitlement to or the amount or extent of any adjustment in the Contract Price or Contract Times, or both, no later than 30 days after Owner's issuance of the Owner's written statement to Contractor regarding the Underground Facility in question.

5.06 *Hazardous Environmental Conditions at Site*

- A. *Reports and Drawings*: The Supplementary Conditions identify:
1. those reports and drawings known to Owner relating to Hazardous Environmental Conditions that have been identified at or adjacent to the Site; and
  2. Technical Data contained in such reports and drawings.
- B. *Reliance by Contractor on Technical Data Authorized*: Contractor may rely upon the accuracy of the Technical Data expressly identified in the Supplementary Conditions with respect to such reports and drawings, but such reports and drawings are not Contract Documents. If no such express identification has been made, then Contractor may rely on the accuracy of the Technical Data (as defined in Article 1) contained in any geotechnical or environmental report prepared for the Project and made available to Contractor. Except for such reliance on Technical Data, Contractor may not rely upon or make any claim against Owner or Engineer, or any of their officers, directors, members, partners, employees, agents, consultants, or subcontractors with respect to:
1. the completeness of such reports and drawings for Contractor's purposes, including, but not limited to, any aspects of the means, methods, techniques, sequences and procedures of construction to be employed by Contractor and safety precautions and programs incident thereto; or
  2. other data, interpretations, opinions and information contained in such reports or shown or indicated in such drawings; or
  3. any Contractor interpretation of or conclusion drawn from any Technical Data or any such other data, interpretations, opinions or information.
- C. Contractor shall not be responsible for removing or remediating any Hazardous Environmental Condition encountered, uncovered, or revealed at the Site unless such removal or remediation is expressly identified in the Contract Documents to be within the scope of the Work.
- D. Contractor shall be responsible for controlling, containing, and duly removing all Constituents of Concern brought to the Site by Contractor, Subcontractors, Suppliers, or anyone else for whom Contractor is responsible, and for any associated costs; and for the costs of removing and remediating any Hazardous Environmental Condition created by the presence of any such Constituents of Concern.
- E. If Contractor encounters, uncovers, or reveals a Hazardous Environmental Condition whose removal or remediation is not expressly identified in the Contract Documents as being within the scope of the Work, or if Contractor or anyone for whom Contractor is responsible creates a Hazardous Environmental Condition, then Contractor shall immediately: (1) secure or otherwise isolate such condition; (2) stop all Work in connection with such condition and in any area affected thereby (except in an emergency as required by Paragraph 7.15); and (3) notify Owner and Engineer (and promptly thereafter confirm such notice in writing). Owner shall promptly consult with Engineer concerning the necessity for Owner to retain a qualified expert to evaluate such condition or take corrective action, if any. Promptly after consulting with Engineer, Owner shall take such actions as are necessary to permit Owner to timely obtain required permits and provide Contractor the written notice required by Paragraph 5.06.F. If Contractor or anyone for whom Contractor is responsible created the Hazardous Environmental Condition in question, then Owner may remove and remediate the Hazardous Environmental Condition, and impose a set-off against payments to account for the associated costs.

- F. Contractor shall not resume Work in connection with such Hazardous Environmental Condition or in any affected area until after Owner has obtained any required permits related thereto, and delivered written notice to Contractor either (1) specifying that such condition and any affected area is or has been rendered safe for the resumption of Work, or (2) specifying any special conditions under which such Work may be resumed safely.
- G. If Owner and Contractor cannot agree as to entitlement to or on the amount or extent, if any, of any adjustment in Contract Price or Contract Times, or both, as a result of such Work stoppage or such special conditions under which Work is agreed to be resumed by Contractor, then within 30 days of Owner's written notice regarding the resumption of Work, Contractor may submit a Change Proposal, or Owner may impose a set-off.
- H. If after receipt of such written notice Contractor does not agree to resume such Work based on a reasonable belief it is unsafe, or does not agree to resume such Work under such special conditions, then Owner may order the portion of the Work that is in the area affected by such condition to be deleted from the Work, following the contractual change procedures in Article 11. Owner may have such deleted portion of the Work performed by Owner's own forces or others in accordance with Article 8.
- I. To the fullest extent permitted by Laws and Regulations, Owner shall indemnify and hold harmless Contractor, Subcontractors, and Engineer, and the officers, directors, members, partners, employees, agents, consultants, and subcontractors of each and any of them from and against all claims, costs, losses, and damages (including but not limited to all fees and charges of engineers, architects, attorneys, and other professionals and all court or arbitration or other dispute resolution costs) arising out of or relating to a Hazardous Environmental Condition, provided that such Hazardous Environmental Condition (1) was not shown or indicated in the Drawings, Specifications, or other Contract Documents, identified as Technical Data entitled to limited reliance pursuant to Paragraph 5.06.B, or identified in the Contract Documents to be included within the scope of the Work, and (2) was not created by Contractor or by anyone for whom Contractor is responsible. Nothing in this Paragraph 5.06.I shall obligate Owner to indemnify any individual or entity from and against the consequences of that individual's or entity's own negligence.
- J. To the fullest extent permitted by Laws and Regulations, Contractor shall indemnify and hold harmless Owner and Engineer, and the officers, directors, members, partners, employees, agents, consultants, and subcontractors of each and any of them from and against all claims, costs, losses, and damages (including but not limited to all fees and charges of engineers, architects, attorneys, and other professionals and all court or arbitration or other dispute resolution costs) arising out of or relating to the failure to control, contain, or remove a Constituent of Concern brought to the Site by Contractor or by anyone for whom Contractor is responsible, or to a Hazardous Environmental Condition created by Contractor or by anyone for whom Contractor is responsible. Nothing in this Paragraph 5.06.J shall obligate Contractor to indemnify any individual or entity from and against the consequences of that individual's or entity's own negligence.
- K. The provisions of Paragraphs 5.03, 5.04, and 5.05 do not apply to the presence of Constituents of Concern or to a Hazardous Environmental Condition uncovered or revealed at the Site.

## ARTICLE 6 – BONDS AND INSURANCE

### 6.01 *Performance, Payment, and Other Bonds*

- A. Contractor shall furnish a performance bond and a payment bond, each in an amount at least equal to the Contract Price, as security for the faithful performance and payment of all of Contractor's obligations under the Contract. These bonds shall remain in effect until one year after the date when final payment becomes due or until completion of the correction period specified in Paragraph 15.08, whichever is later, except as provided otherwise by Laws or Regulations, the Supplementary Conditions, or other specific provisions of the Contract. Contractor shall also furnish such other bonds as are required by the Supplementary Conditions or other specific provisions of the Contract.
- B. All bonds shall be in the form prescribed by the Contract except as provided otherwise by Laws or Regulations, and shall be executed by such sureties as are named in "Companies Holding Certificates of Authority as Acceptable Sureties on Federal Bonds and as Acceptable Reinsuring Companies" as published in Circular 570 (as amended and supplemented) by the Financial Management Service, Surety Bond Branch, U.S. Department of the Treasury. A bond signed by an agent or attorney-in-fact must be accompanied by a certified copy of that individual's authority to bind the surety. The evidence of authority shall show that it is effective on the date the agent or attorney-in-fact signed the accompanying bond.
- C. Contractor shall obtain the required bonds from surety companies that are duly licensed or authorized in the jurisdiction in which the Project is located to issue bonds in the required amounts.
- D. If the surety on a bond furnished by Contractor is declared bankrupt or becomes insolvent, or its right to do business is terminated in any state or jurisdiction where any part of the Project is located, or the surety ceases to meet the requirements above, then Contractor shall promptly notify Owner and Engineer and shall, within 20 days after the event giving rise to such notification, provide another bond and surety, both of which shall comply with the bond and surety requirements above.
- E. If Contractor has failed to obtain a required bond, Owner may exclude the Contractor from the Site and exercise Owner's termination rights under Article 16.
- F. Upon request, Owner shall provide a copy of the payment bond to any Subcontractor, Supplier, or other person or entity claiming to have furnished labor or materials used in the performance of the Work.

### 6.02 *Insurance—General Provisions*

- A. Owner and Contractor shall obtain and maintain insurance as required in this Article and in the Supplementary Conditions.
- B. All insurance required by the Contract to be purchased and maintained by Owner or Contractor shall be obtained from insurance companies that are duly licensed or authorized, in the state or jurisdiction in which the Project is located, to issue insurance policies for the required limits and coverages. Unless a different standard is indicated in the Supplementary Conditions, all companies that provide insurance policies required under this Contract shall have an A.M. Best rating of A-VII or better.
- C. Contractor shall deliver to Owner, with copies to each named insured and additional insured (as identified in this Article, in the Supplementary Conditions, or elsewhere in the Contract), certificates of insurance establishing that Contractor has obtained and is



maintaining the policies, coverages, and endorsements required by the Contract. Upon request by Owner or any other insured, Contractor shall also furnish other evidence of such required insurance, including but not limited to copies of policies and endorsements, and documentation of applicable self-insured retentions and deductibles. Contractor may block out (redact) any confidential premium or pricing information contained in any policy or endorsement furnished under this provision.

- D. Owner shall deliver to Contractor, with copies to each named insured and additional insured (as identified in this Article, the Supplementary Conditions, or elsewhere in the Contract), certificates of insurance establishing that Owner has obtained and is maintaining the policies, coverages, and endorsements required of Owner by the Contract (if any). Upon request by Contractor or any other insured, Owner shall also provide other evidence of such required insurance (if any), including but not limited to copies of policies and endorsements, and documentation of applicable self-insured retentions and deductibles. Owner may block out (redact) any confidential premium or pricing information contained in any policy or endorsement furnished under this provision.
- E. Failure of Owner or Contractor to demand such certificates or other evidence of the other party's full compliance with these insurance requirements, or failure of Owner or Contractor to identify a deficiency in compliance from the evidence provided, shall not be construed as a waiver of the other party's obligation to obtain and maintain such insurance.
- F. If either party does not purchase or maintain all of the insurance required of such party by the Contract, such party shall notify the other party in writing of such failure to purchase prior to the start of the Work, or of such failure to maintain prior to any change in the required coverage.
- G. If Contractor has failed to obtain and maintain required insurance, Owner may exclude the Contractor from the Site, impose an appropriate set-off against payment, and exercise Owner's termination rights under Article 16.
- H. Without prejudice to any other right or remedy, if a party has failed to obtain required insurance, the other party may elect to obtain equivalent insurance to protect such other party's interests at the expense of the party who was required to provide such coverage, and the Contract Price shall be adjusted accordingly.
- I. Owner does not represent that insurance coverage and limits established in this Contract necessarily will be adequate to protect Contractor or Contractor's interests.
- J. The insurance and insurance limits required herein shall not be deemed as a limitation on Contractor's liability under the indemnities granted to Owner and other individuals and entities in the Contract.

### 6.03 *Contractor's Insurance*

- A. *Workers' Compensation:* Contractor shall purchase and maintain workers' compensation and employer's liability insurance for:
  - 1. claims under workers' compensation, disability benefits, and other similar employee benefit acts.
  - 2. United States Longshoreman and Harbor Workers' Compensation Act and Jones Act coverage (if applicable).
  - 3. claims for damages because of bodily injury, occupational sickness or disease, or death of Contractor's employees (by stop-gap endorsement in monopolist worker's compensation states).

4. Foreign voluntary worker compensation (if applicable).
- B. *Commercial General Liability—Claims Covered:* Contractor shall purchase and maintain commercial general liability insurance, covering all operations by or on behalf of Contractor, on an occurrence basis, against:
1. claims for damages because of bodily injury, sickness or disease, or death of any person other than Contractor's employees.
  2. claims for damages insured by reasonably available personal injury liability coverage.
  3. claims for damages, other than to the Work itself, because of injury to or destruction of tangible property wherever located, including loss of use resulting therefrom.
- C. *Commercial General Liability—Form and Content:* Contractor's commercial liability policy shall be written on a 1996 (or later) ISO commercial general liability form (occurrence form) and include the following coverages and endorsements:
1. Products and completed operations coverage:
    - a. Such insurance shall be maintained for three years after final payment.
    - b. Contractor shall furnish Owner and each other additional insured (as identified in the Supplementary Conditions or elsewhere in the Contract) evidence of continuation of such insurance at final payment and three years thereafter.
  2. Blanket contractual liability coverage, to the extent permitted by law, including but not limited to coverage of Contractor's contractual indemnity obligations in Paragraph 7.18.
  3. Broad form property damage coverage.
  4. Severability of interest.
  5. Underground, explosion, and collapse coverage.
  6. Personal injury coverage.
  7. Additional insured endorsements that include both ongoing operations and products and completed operations coverage through ISO Endorsements CG 20 10 10 01 and CG 20 37 10 01 (together); or CG 20 10 07 04 and CG 20 37 07 04 (together); or their equivalent.
  8. For design professional additional insureds, ISO Endorsement CG 20 32 07 04, "Additional Insured—Engineers, Architects or Surveyors Not Engaged by the Named Insured" or its equivalent.
- D. *Automobile liability:* Contractor shall purchase and maintain automobile liability insurance against claims for damages because of bodily injury or death of any person or property damage arising out of the ownership, maintenance, or use of any motor vehicle. The automobile liability policy shall be written on an occurrence basis.
- E. *Umbrella or excess liability:* Contractor shall purchase and maintain umbrella or excess liability insurance written over the underlying employer's liability, commercial general liability, and automobile liability insurance described in the paragraphs above. Subject to industry-standard exclusions, the coverage afforded shall follow form as to each and every one of the underlying policies.
- F. *Contractor's pollution liability insurance:* Contractor shall purchase and maintain a policy covering third-party injury and property damage claims, including clean-up costs, as a result

of pollution conditions arising from Contractor's operations and completed operations. This insurance shall be maintained for no less than three years after final completion.

- G. *Additional insureds*: The Contractor's commercial general liability, automobile liability, umbrella or excess, and pollution liability policies shall include and list as additional insureds Owner and Engineer, and any individuals or entities identified in the Supplementary Conditions; include coverage for the respective officers, directors, members, partners, employees, agents, consultants, and subcontractors of each and any of all such additional insureds; and the insurance afforded to these additional insureds shall provide primary coverage for all claims covered thereby (including as applicable those arising from both ongoing and completed operations) on a non-contributory basis. Contractor shall obtain all necessary endorsements to support these requirements.
- H. *Contractor's professional liability insurance*: If Contractor will provide or furnish professional services under this Contract, through a delegation of professional design services or otherwise, then Contractor shall be responsible for purchasing and maintaining applicable professional liability insurance. This insurance shall provide protection against claims arising out of performance of professional design or related services, and caused by a negligent error, omission, or act for which the insured party is legally liable. It shall be maintained throughout the duration of the Contract and for a minimum of two years after Substantial Completion. If such professional design services are performed by a Subcontractor, and not by Contractor itself, then the requirements of this paragraph may be satisfied through the purchasing and maintenance of such insurance by such Subcontractor.
- I. *General provisions*: The policies of insurance required by this Paragraph 6.03 shall:
  - 1. include at least the specific coverages provided in this Article.
  - 2. be written for not less than the limits of liability provided in this Article and in the Supplementary Conditions, or required by Laws or Regulations, whichever is greater.
  - 3. contain a provision or endorsement that the coverage afforded will not be canceled, materially changed, or renewal refused until at least 10 days prior written notice has been given to Contractor. Within three days of receipt of any such written notice, Contractor shall provide a copy of the notice to Owner, Engineer, and each other insured under the policy.
  - 4. remain in effect at least until final payment (and longer if expressly required in this Article) and at all times thereafter when Contractor may be correcting, removing, or replacing defective Work as a warranty or correction obligation, or otherwise, or returning to the Site to conduct other tasks arising from the Contract Documents.
  - 5. be appropriate for the Work being performed and provide protection from claims that may arise out of or result from Contractor's performance of the Work and Contractor's other obligations under the Contract Documents, whether it is to be performed by Contractor, any Subcontractor or Supplier, or by anyone directly or indirectly employed by any of them to perform any of the Work, or by anyone for whose acts any of them may be liable.
- J. The coverage requirements for specific policies of insurance must be met by such policies, and not by reference to excess or umbrella insurance provided in other policies.

#### 6.04 *Owner's Liability Insurance*

- A. In addition to the insurance required to be provided by Contractor under Paragraph 6.03, Owner, at Owner's option, may purchase and maintain at Owner's expense Owner's own liability insurance as will protect Owner against claims which may arise from operations under the Contract Documents.
- B. Owner's liability policies, if any, operate separately and independently from policies required to be provided by Contractor, and Contractor cannot rely upon Owner's liability policies for any of Contractor's obligations to the Owner, Engineer, or third parties.

#### 6.05 *Property Insurance*

- A. *Builder's Risk*: Unless otherwise provided in the Supplementary Conditions, Contractor shall purchase and maintain builder's risk insurance upon the Work on a completed value basis, in the amount of the full insurable replacement cost thereof (subject to such deductible amounts as may be provided in the Supplementary Conditions or required by Laws and Regulations). This insurance shall:
  - 1. include the Owner and Contractor as named insureds, and all Subcontractors, and any individuals or entities required by the Supplementary Conditions to be insured under such builder's risk policy, as insureds or named insureds. For purposes of the remainder of this Paragraph 6.05, Paragraphs 6.06 and 6.07, and any corresponding Supplementary Conditions, the parties required to be insured shall collectively be referred to as "insureds."
  - 2. be written on a builder's risk "all risk" policy form that shall at least include insurance for physical loss or damage to the Work, temporary buildings, falsework, and materials and equipment in transit, and shall insure against at least the following perils or causes of loss: fire; lightning; windstorm; riot; civil commotion; terrorism; vehicle impact; aircraft; smoke; theft; vandalism and malicious mischief; mechanical breakdown, boiler explosion, and artificially generated electric current; earthquake; volcanic activity, and other earth movement; flood; collapse; explosion; debris removal; demolition occasioned by enforcement of Laws and Regulations; water damage (other than that caused by flood); and such other perils or causes of loss as may be specifically required by the Supplementary Conditions. If insurance against mechanical breakdown, boiler explosion, and artificially generated electric current; earthquake; volcanic activity, and other earth movement; or flood, are not commercially available under builder's risk policies, by endorsement or otherwise, such insurance may be provided through other insurance policies acceptable to Owner and Contractor.
  - 3. cover, as insured property, at least the following: (a) the Work and all materials, supplies, machinery, apparatus, equipment, fixtures, and other property of a similar nature that are to be incorporated into or used in the preparation, fabrication, construction, erection, or completion of the Work, including Owner-furnished or assigned property; (b) spare parts inventory required within the scope of the Contract; and (c) temporary works which are not intended to form part of the permanent constructed Work but which are intended to provide working access to the Site, or to the Work under construction, or which are intended to provide temporary support for the Work under construction, including scaffolding, form work, fences, shoring, falsework, and temporary structures.
  - 4. cover expenses incurred in the repair or replacement of any insured property (including but not limited to fees and charges of engineers and architects).

5. extend to cover damage or loss to insured property while in temporary storage at the Site or in a storage location outside the Site (but not including property stored at the premises of a manufacturer or Supplier).
  6. extend to cover damage or loss to insured property while in transit.
  7. allow for partial occupation or use of the Work by Owner, such that those portions of the Work that are not yet occupied or used by Owner shall remain covered by the builder's risk insurance.
  8. allow for the waiver of the insurer's subrogation rights, as set forth below.
  9. provide primary coverage for all losses and damages caused by the perils or causes of loss covered.
  10. not include a co-insurance clause.
  11. include an exception for ensuing losses from physical damage or loss with respect to any defective workmanship, design, or materials exclusions.
  12. include performance/hot testing and start-up.
  13. be maintained in effect, subject to the provisions herein regarding Substantial Completion and partial occupancy or use of the Work by Owner, until the Work is complete.
- B. *Notice of Cancellation or Change:* All the policies of insurance (and the certificates or other evidence thereof) required to be purchased and maintained in accordance with this Paragraph 6.05 will contain a provision or endorsement that the coverage afforded will not be canceled or materially changed or renewal refused until at least 10 days prior written notice has been given to the purchasing policyholder. Within three days of receipt of any such written notice, the purchasing policyholder shall provide a copy of the notice to each other insured.
- C. *Deductibles:* The purchaser of any required builder's risk or property insurance shall pay for costs not covered because of the application of a policy deductible.
- D. *Partial Occupancy or Use by Owner:* If Owner will occupy or use a portion or portions of the Work prior to Substantial Completion of all the Work as provided in Paragraph 15.04, then Owner (directly, if it is the purchaser of the builder's risk policy, or through Contractor) will provide notice of such occupancy or use to the builder's risk insurer. The builder's risk insurance shall not be canceled or permitted to lapse on account of any such partial use or occupancy; rather, those portions of the Work that are occupied or used by Owner may come off the builder's risk policy, while those portions of the Work not yet occupied or used by Owner shall remain covered by the builder's risk insurance.
- E. *Additional Insurance:* If Contractor elects to obtain other special insurance to be included in or supplement the builder's risk or property insurance policies provided under this Paragraph 6.05, it may do so at Contractor's expense.
- F. *Insurance of Other Property:* If the express insurance provisions of the Contract do not require or address the insurance of a property item or interest, such as tools, construction equipment, or other personal property owned by Contractor, a Subcontractor, or an employee of Contractor or a Subcontractor, then the entity or individual owning such property item will be responsible for deciding whether to insure it, and if so in what amount.

## 6.06 *Waiver of Rights*

- A. All policies purchased in accordance with Paragraph 6.05, expressly including the builder's risk policy, shall contain provisions to the effect that in the event of payment of any loss or damage the insurers will have no rights of recovery against any insureds thereunder, or against Engineer or its consultants, or their officers, directors, members, partners, employees, agents, consultants, or subcontractors. Owner and Contractor waive all rights against each other and the respective officers, directors, members, partners, employees, agents, consultants, and subcontractors of each and any of them, for all losses and damages caused by, arising out of, or resulting from any of the perils or causes of loss covered by such policies and any other property insurance applicable to the Work; and, in addition, waive all such rights against Engineer, its consultants, all Subcontractors, all individuals or entities identified in the Supplementary Conditions as insureds, and the officers, directors, members, partners, employees, agents, consultants, and subcontractors of each and any of them, under such policies for losses and damages so caused. None of the above waivers shall extend to the rights that any party making such waiver may have to the proceeds of insurance held by Owner or Contractor as trustee or fiduciary, or otherwise payable under any policy so issued.
- B. Owner waives all rights against Contractor, Subcontractors, and Engineer, and the officers, directors, members, partners, employees, agents, consultants and subcontractors of each and any of them, for:
  - 1. loss due to business interruption, loss of use, or other consequential loss extending beyond direct physical loss or damage to Owner's property or the Work caused by, arising out of, or resulting from fire or other perils whether or not insured by Owner; and
  - 2. loss or damage to the completed Project or part thereof caused by, arising out of, or resulting from fire or other insured peril or cause of loss covered by any property insurance maintained on the completed Project or part thereof by Owner during partial occupancy or use pursuant to Paragraph 15.04, after Substantial Completion pursuant to Paragraph 15.03, or after final payment pursuant to Paragraph 15.06.
- C. Any insurance policy maintained by Owner covering any loss, damage or consequential loss referred to in Paragraph 6.06.B shall contain provisions to the effect that in the event of payment of any such loss, damage, or consequential loss, the insurers will have no rights of recovery against Contractor, Subcontractors, or Engineer, or the officers, directors, members, partners, employees, agents, consultants, or subcontractors of each and any of them.
- D. Contractor shall be responsible for assuring that the agreement under which a Subcontractor performs a portion of the Work contains provisions whereby the Subcontractor waives all rights against Owner, Contractor, all individuals or entities identified in the Supplementary Conditions as insureds, the Engineer and its consultants, and the officers, directors, members, partners, employees, agents, consultants, and subcontractors of each and any of them, for all losses and damages caused by, arising out of, relating to, or resulting from any of the perils or causes of loss covered by builder's risk insurance and any other property insurance applicable to the Work.

## 6.07 *Receipt and Application of Property Insurance Proceeds*

- A. Any insured loss under the builder's risk and other policies of insurance required by Paragraph 6.05 will be adjusted and settled with the named insured that purchased the

policy. Such named insured shall act as fiduciary for the other insureds, and give notice to such other insureds that adjustment and settlement of a claim is in progress. Any other insured may state its position regarding a claim for insured loss in writing within 15 days after notice of such claim.

- B. Proceeds for such insured losses may be made payable by the insurer either jointly to multiple insureds, or to the named insured that purchased the policy in its own right and as fiduciary for other insureds, subject to the requirements of any applicable mortgage clause. A named insured receiving insurance proceeds under the builder's risk and other policies of insurance required by Paragraph 6.05 shall distribute such proceeds in accordance with such agreement as the parties in interest may reach, or as otherwise required under the dispute resolution provisions of this Contract or applicable Laws and Regulations.
- C. If no other special agreement is reached, the damaged Work shall be repaired or replaced, the money so received applied on account thereof, and the Work and the cost thereof covered by Change Order, if needed.

## **ARTICLE 7 – CONTRACTOR'S RESPONSIBILITIES**

### **7.01 *Supervision and Superintendence***

- A. Contractor shall supervise, inspect, and direct the Work competently and efficiently, devoting such attention thereto and applying such skills and expertise as may be necessary to perform the Work in accordance with the Contract Documents. Contractor shall be solely responsible for the means, methods, techniques, sequences, and procedures of construction.
- B. At all times during the progress of the Work, Contractor shall assign a competent resident superintendent who shall not be replaced without written notice to Owner and Engineer except under extraordinary circumstances.

### **7.02 *Labor; Working Hours***

- A. Contractor shall provide competent, suitably qualified personnel to survey and lay out the Work and perform construction as required by the Contract Documents. Contractor shall at all times maintain good discipline and order at the Site.
- B. Except as otherwise required for the safety or protection of persons or the Work or property at the Site or adjacent thereto, and except as otherwise stated in the Contract Documents, all Work at the Site shall be performed during regular working hours, Monday through Friday. Contractor will not perform Work on a Saturday, Sunday, or any legal holiday. Contractor may perform Work outside regular working hours or on Saturdays, Sundays, or legal holidays only with Owner's written consent, which will not be unreasonably withheld.

### **7.03 *Services, Materials, and Equipment***

- A. Unless otherwise specified in the Contract Documents, Contractor shall provide and assume full responsibility for all services, materials, equipment, labor, transportation, construction equipment and machinery, tools, appliances, fuel, power, light, heat, telephone, water, sanitary facilities, temporary facilities, and all other facilities and incidentals necessary for the performance, testing, start up, and completion of the Work, whether or not such items are specifically called for in the Contract Documents.
- B. All materials and equipment incorporated into the Work shall be of good quality and new, except as otherwise provided in the Contract Documents. All special warranties and

guarantees required by the Specifications shall expressly run to the benefit of Owner. If required by Engineer, Contractor shall furnish satisfactory evidence (including reports of required tests) as to the source, kind, and quality of materials and equipment.

- C. All materials and equipment shall be stored, applied, installed, connected, erected, protected, used, cleaned, and conditioned in accordance with instructions of the applicable Supplier, except as otherwise may be provided in the Contract Documents.

#### 7.04 "Or Equals"

- A. Whenever an item of material or equipment is specified or described in the Contract Documents by using the name of a proprietary item or the name of a particular Supplier, the Contract Price has been based upon Contractor furnishing such item as specified. The specification or description of such an item is intended to establish the type, function, appearance, and quality required. Unless the specification or description contains or is followed by words reading that no like, equivalent, or "or equal" item is permitted, Contractor may request that Engineer authorize the use of other items of material or equipment, or items from other proposed suppliers under the circumstances described below.
  - 1. If Engineer in its sole discretion determines that an item of material or equipment proposed by Contractor is functionally equal to that named and sufficiently similar so that no change in related Work will be required, Engineer shall deem it an "or equal" item. For the purposes of this paragraph, a proposed item of material or equipment will be considered functionally equal to an item so named if:
    - a. in the exercise of reasonable judgment Engineer determines that:
      - 1) it is at least equal in materials of construction, quality, durability, appearance, strength, and design characteristics;
      - 2) it will reliably perform at least equally well the function and achieve the results imposed by the design concept of the completed Project as a functioning whole;
      - 3) it has a proven record of performance and availability of responsive service; and
      - 4) it is not objectionable to Owner.
    - b. Contractor certifies that, if approved and incorporated into the Work:
      - 1) there will be no increase in cost to the Owner or increase in Contract Times; and
      - 2) it will conform substantially to the detailed requirements of the item named in the Contract Documents.
- B. *Contractor's Expense:* Contractor shall provide all data in support of any proposed "or equal" item at Contractor's expense.
- C. *Engineer's Evaluation and Determination:* Engineer will be allowed a reasonable time to evaluate each "or-equal" request. Engineer may require Contractor to furnish additional data about the proposed "or-equal" item. Engineer will be the sole judge of acceptability. No "or-equal" item will be ordered, furnished, installed, or utilized until Engineer's review is complete and Engineer determines that the proposed item is an "or-equal", which will be evidenced by an approved Shop Drawing or other written communication. Engineer will advise Contractor in writing of any negative determination.



- D. *Effect of Engineer's Determination:* Neither approval nor denial of an "or-equal" request shall result in any change in Contract Price. The Engineer's denial of an "or-equal" request shall be final and binding, and may not be reversed through an appeal under any provision of the Contract Documents.
- E. *Treatment as a Substitution Request:* If Engineer determines that an item of material or equipment proposed by Contractor does not qualify as an "or-equal" item, Contractor may request that Engineer consider the proposed item as a substitute pursuant to Paragraph 7.05.

#### 7.05 *Substitutes*

- A. Unless the specification or description of an item of material or equipment required to be furnished under the Contract Documents contains or is followed by words reading that no substitution is permitted, Contractor may request that Engineer authorize the use of other items of material or equipment under the circumstances described below. To the extent possible such requests shall be made before commencement of related construction at the Site.
  - 1. Contractor shall submit sufficient information as provided below to allow Engineer to determine if the item of material or equipment proposed is functionally equivalent to that named and an acceptable substitute therefor. Engineer will not accept requests for review of proposed substitute items of material or equipment from anyone other than Contractor.
  - 2. The requirements for review by Engineer will be as set forth in Paragraph 7.05.B, as supplemented by the Specifications, and as Engineer may decide is appropriate under the circumstances.
  - 3. Contractor shall make written application to Engineer for review of a proposed substitute item of material or equipment that Contractor seeks to furnish or use. The application:
    - a. shall certify that the proposed substitute item will:
      - 1) perform adequately the functions and achieve the results called for by the general design,
      - 2) be similar in substance to that specified, and
      - 3) be suited to the same use as that specified.
    - b. will state:
      - 1) the extent, if any, to which the use of the proposed substitute item will necessitate a change in Contract Times,
      - 2) whether use of the proposed substitute item in the Work will require a change in any of the Contract Documents (or in the provisions of any other direct contract with Owner for other work on the Project) to adapt the design to the proposed substitute item, and
      - 3) whether incorporation or use of the proposed substitute item in connection with the Work is subject to payment of any license fee or royalty.
    - c. will identify:
      - 1) all variations of the proposed substitute item from that specified, and

- 2) available engineering, sales, maintenance, repair, and replacement services.
  - d. shall contain an itemized estimate of all costs or credits that will result directly or indirectly from use of such substitute item, including but not limited to changes in Contract Price, shared savings, costs of redesign, and claims of other contractors affected by any resulting change.
- B. *Engineer's Evaluation and Determination:* Engineer will be allowed a reasonable time to evaluate each substitute request, and to obtain comments and direction from Owner. Engineer may require Contractor to furnish additional data about the proposed substitute item. Engineer will be the sole judge of acceptability. No substitute will be ordered, furnished, installed, or utilized until Engineer's review is complete and Engineer determines that the proposed item is an acceptable substitute. Engineer's determination will be evidenced by a Field Order or a proposed Change Order accounting for the substitution itself and all related impacts, including changes in Contract Price or Contract Times. Engineer will advise Contractor in writing of any negative determination.
- C. *Special Guarantee:* Owner may require Contractor to furnish at Contractor's expense a special performance guarantee or other surety with respect to any substitute.
- D. *Reimbursement of Engineer's Cost:* Engineer will record Engineer's costs in evaluating a substitute proposed or submitted by Contractor. Whether or not Engineer approves a substitute so proposed or submitted by Contractor, Contractor shall reimburse Owner for the reasonable charges of Engineer for evaluating each such proposed substitute. Contractor shall also reimburse Owner for the reasonable charges of Engineer for making changes in the Contract Documents (or in the provisions of any other direct contract with Owner) resulting from the acceptance of each proposed substitute.
- E. *Contractor's Expense:* Contractor shall provide all data in support of any proposed substitute at Contractor's expense.
- F. *Effect of Engineer's Determination:* If Engineer approves the substitution request, Contractor shall execute the proposed Change Order and proceed with the substitution. The Engineer's denial of a substitution request shall be final and binding, and may not be reversed through an appeal under any provision of the Contract Documents. Contractor may challenge the scope of reimbursement costs imposed under Paragraph 7.05.D, by timely submittal of a Change Proposal.

#### 7.06 *Concerning Subcontractors, Suppliers, and Others*

- A. Contractor may retain Subcontractors and Suppliers for the performance of parts of the Work. Such Subcontractors and Suppliers must be acceptable to Owner.
- B. Contractor shall retain specific Subcontractors, Suppliers, or other individuals or entities for the performance of designated parts of the Work if required by the Contract to do so.
- C. Subsequent to the submittal of Contractor's Bid or final negotiation of the terms of the Contract, Owner may not require Contractor to retain any Subcontractor, Supplier, or other individual or entity to furnish or perform any of the Work against which Contractor has reasonable objection.
- D. Prior to entry into any binding subcontract or purchase order, Contractor shall submit to Owner the identity of the proposed Subcontractor or Supplier (unless Owner has already deemed such proposed Subcontractor or Supplier acceptable, during the bidding process or otherwise). Such proposed Subcontractor or Supplier shall be deemed acceptable to Owner unless Owner raises a substantive, reasonable objection within five days.

- E. Owner may require the replacement of any Subcontractor, Supplier, or other individual or entity retained by Contractor to perform any part of the Work. Owner also may require Contractor to retain specific replacements; provided, however, that Owner may not require a replacement to which Contractor has a reasonable objection. If Contractor has submitted the identity of certain Subcontractors, Suppliers, or other individuals or entities for acceptance by Owner, and Owner has accepted it (either in writing or by failing to make written objection thereto), then Owner may subsequently revoke the acceptance of any such Subcontractor, Supplier, or other individual or entity so identified solely on the basis of substantive, reasonable objection after due investigation. Contractor shall submit an acceptable replacement for the rejected Subcontractor, Supplier, or other individual or entity.
- F. If Owner requires the replacement of any Subcontractor, Supplier, or other individual or entity retained by Contractor to perform any part of the Work, then Contractor shall be entitled to an adjustment in Contract Price or Contract Times, or both, with respect to the replacement; and Contractor shall initiate a Change Proposal for such adjustment within 30 days of Owner's requirement of replacement.
- G. No acceptance by Owner of any such Subcontractor, Supplier, or other individual or entity, whether initially or as a replacement, shall constitute a waiver of the right of Owner to the completion of the Work in accordance with the Contract Documents.
- H. On a monthly basis Contractor shall submit to Engineer a complete list of all Subcontractors and Suppliers having a direct contract with Contractor, and of all other Subcontractors and Suppliers known to Contractor at the time of submittal.
- I. Contractor shall be fully responsible to Owner and Engineer for all acts and omissions of the Subcontractors, Suppliers, and other individuals or entities performing or furnishing any of the Work just as Contractor is responsible for Contractor's own acts and omissions.
- J. Contractor shall be solely responsible for scheduling and coordinating the work of Subcontractors, Suppliers, and all other individuals or entities performing or furnishing any of the Work.
- K. Contractor shall restrict all Subcontractors, Suppliers, and such other individuals or entities performing or furnishing any of the Work from communicating with Engineer or Owner, except through Contractor or in case of an emergency, or as otherwise expressly allowed herein.
- L. The divisions and sections of the Specifications and the identifications of any Drawings shall not control Contractor in dividing the Work among Subcontractors or Suppliers or delineating the Work to be performed by any specific trade.
- M. All Work performed for Contractor by a Subcontractor or Supplier shall be pursuant to an appropriate contractual agreement that specifically binds the Subcontractor or Supplier to the applicable terms and conditions of the Contract Documents for the benefit of Owner and Engineer.
- N. Owner may furnish to any Subcontractor or Supplier, to the extent practicable, information about amounts paid to Contractor on account of Work performed for Contractor by the particular Subcontractor or Supplier.

O. Nothing in the Contract Documents:

1. shall create for the benefit of any such Subcontractor, Supplier, or other individual or entity any contractual relationship between Owner or Engineer and any such Subcontractor, Supplier, or other individual or entity; nor
2. shall create any obligation on the part of Owner or Engineer to pay or to see to the payment of any money due any such Subcontractor, Supplier, or other individual or entity except as may otherwise be required by Laws and Regulations.

7.07 *Patent Fees and Royalties*

- A. Contractor shall pay all license fees and royalties and assume all costs incident to the use in the performance of the Work or the incorporation in the Work of any invention, design, process, product, or device which is the subject of patent rights or copyrights held by others. If a particular invention, design, process, product, or device is specified in the Contract Documents for use in the performance of the Work and if, to the actual knowledge of Owner or Engineer, its use is subject to patent rights or copyrights calling for the payment of any license fee or royalty to others, the existence of such rights shall be disclosed by Owner in the Contract Documents.
- B. To the fullest extent permitted by Laws and Regulations, Owner shall indemnify and hold harmless Contractor, and its officers, directors, members, partners, employees, agents, consultants, and subcontractors from and against all claims, costs, losses, and damages (including but not limited to all fees and charges of engineers, architects, attorneys, and other professionals, and all court or arbitration or other dispute resolution costs) arising out of or relating to any infringement of patent rights or copyrights incident to the use in the performance of the Work or resulting from the incorporation in the Work of any invention, design, process, product, or device specified in the Contract Documents, but not identified as being subject to payment of any license fee or royalty to others required by patent rights or copyrights.
- C. To the fullest extent permitted by Laws and Regulations, Contractor shall indemnify and hold harmless Owner and Engineer, and the officers, directors, members, partners, employees, agents, consultants and subcontractors of each and any of them from and against all claims, costs, losses, and damages (including but not limited to all fees and charges of engineers, architects, attorneys, and other professionals and all court or arbitration or other dispute resolution costs) arising out of or relating to any infringement of patent rights or copyrights incident to the use in the performance of the Work or resulting from the incorporation in the Work of any invention, design, process, product, or device not specified in the Contract Documents.

7.08 *Permits*

- A. Unless otherwise provided in the Contract Documents, Contractor shall obtain and pay for all construction permits and licenses. Owner shall assist Contractor, when necessary, in obtaining such permits and licenses. Contractor shall pay all governmental charges and inspection fees necessary for the prosecution of the Work which are applicable at the time of the submission of Contractor's Bid (or when Contractor became bound under a negotiated contract). Owner shall pay all charges of utility owners for connections for providing permanent service to the Work

#### 7.09 *Taxes*

- A. Contractor shall pay all sales, consumer, use, and other similar taxes required to be paid by Contractor in accordance with the Laws and Regulations of the place of the Project which are applicable during the performance of the Work.

#### 7.10 *Laws and Regulations*

- A. Contractor shall give all notices required by and shall comply with all Laws and Regulations applicable to the performance of the Work. Except where otherwise expressly required by applicable Laws and Regulations, neither Owner nor Engineer shall be responsible for monitoring Contractor's compliance with any Laws or Regulations.
- B. If Contractor performs any Work or takes any other action knowing or having reason to know that it is contrary to Laws or Regulations, Contractor shall bear all resulting costs and losses, and shall indemnify and hold harmless Owner and Engineer, and the officers, directors, members, partners, employees, agents, consultants, and subcontractors of each and any of them from and against all claims, costs, losses, and damages (including but not limited to all fees and charges of engineers, architects, attorneys, and other professionals and all court or arbitration or other dispute resolution costs) arising out of or relating to such Work or other action. It shall not be Contractor's responsibility to make certain that the Work described in the Contract Documents is in accordance with Laws and Regulations, but this shall not relieve Contractor of Contractor's obligations under Paragraph 3.03.
- C. Owner or Contractor may give notice to the other party of any changes after the submission of Contractor's Bid (or after the date when Contractor became bound under a negotiated contract) in Laws or Regulations having an effect on the cost or time of performance of the Work, including but not limited to changes in Laws or Regulations having an effect on procuring permits and on sales, use, value-added, consumption, and other similar taxes. If Owner and Contractor are unable to agree on entitlement to or on the amount or extent, if any, of any adjustment in Contract Price or Contract Times resulting from such changes, then within 30 days of such notice Contractor may submit a Change Proposal, or Owner may initiate a Claim.

#### 7.11 *Record Documents*

- A. Contractor shall maintain in a safe place at the Site one printed record copy of all Drawings, Specifications, Addenda, Change Orders, Work Change Directives, Field Orders, written interpretations and clarifications, and approved Shop Drawings. Contractor shall keep such record documents in good order and annotate them to show changes made during construction. These record documents, together with all approved Samples, will be available to Engineer for reference. Upon completion of the Work, Contractor shall deliver these record documents to Engineer.

#### 7.12 *Safety and Protection*

- A. Contractor shall be solely responsible for initiating, maintaining, and supervising all safety precautions and programs in connection with the Work. Such responsibility does not relieve Subcontractors of their responsibility for the safety of persons or property in the performance of their work, nor for compliance with applicable safety Laws and Regulations. Contractor shall take all necessary precautions for the safety of, and shall provide the necessary protection to prevent damage, injury, or loss to:
  - 1. all persons on the Site or who may be affected by the Work;

2. all the Work and materials and equipment to be incorporated therein, whether in storage on or off the Site; and
  3. other property at the Site or adjacent thereto, including trees, shrubs, lawns, walks, pavements, roadways, structures, other work in progress, utilities, and Underground Facilities not designated for removal, relocation, or replacement in the course of construction.
- B. Contractor shall comply with all applicable Laws and Regulations relating to the safety of persons or property, or to the protection of persons or property from damage, injury, or loss; and shall erect and maintain all necessary safeguards for such safety and protection. Contractor shall notify Owner; the owners of adjacent property, Underground Facilities, and other utilities; and other contractors and utility owners performing work at or adjacent to the Site, when prosecution of the Work may affect them, and shall cooperate with them in the protection, removal, relocation, and replacement of their property or work in progress.
  - C. Contractor shall comply with the applicable requirements of Owner's safety programs, if any. The Supplementary Conditions identify any Owner's safety programs that are applicable to the Work.
  - D. Contractor shall inform Owner and Engineer of the specific requirements of Contractor's safety program with which Owner's and Engineer's employees and representatives must comply while at the Site.
  - E. All damage, injury, or loss to any property referred to in Paragraph 7.12.A.2 or 7.12.A.3 caused, directly or indirectly, in whole or in part, by Contractor, any Subcontractor, Supplier, or any other individual or entity directly or indirectly employed by any of them to perform any of the Work, or anyone for whose acts any of them may be liable, shall be remedied by Contractor at its expense (except damage or loss attributable to the fault of Drawings or Specifications or to the acts or omissions of Owner or Engineer or anyone employed by any of them, or anyone for whose acts any of them may be liable, and not attributable, directly or indirectly, in whole or in part, to the fault or negligence of Contractor or any Subcontractor, Supplier, or other individual or entity directly or indirectly employed by any of them).
  - F. Contractor's duties and responsibilities for safety and protection shall continue until such time as all the Work is completed and Engineer has issued a notice to Owner and Contractor in accordance with Paragraph 15.06.B that the Work is acceptable (except as otherwise expressly provided in connection with Substantial Completion).
  - G. Contractor's duties and responsibilities for safety and protection shall resume whenever Contractor or any Subcontractor or Supplier returns to the Site to fulfill warranty or correction obligations, or to conduct other tasks arising from the Contract Documents.

#### 7.13 *Safety Representative*

- A. Contractor shall designate a qualified and experienced safety representative at the Site whose duties and responsibilities shall be the prevention of accidents and the maintaining and supervising of safety precautions and programs.

#### 7.14 *Hazard Communication Programs*

- A. Contractor shall be responsible for coordinating any exchange of material safety data sheets or other hazard communication information required to be made available to or

exchanged between or among employers at the Site in accordance with Laws or Regulations.

#### 7.15 *Emergencies*

- A. In emergencies affecting the safety or protection of persons or the Work or property at the Site or adjacent thereto, Contractor is obligated to act to prevent threatened damage, injury, or loss. Contractor shall give Engineer prompt written notice if Contractor believes that any significant changes in the Work or variations from the Contract Documents have been caused thereby or are required as a result thereof. If Engineer determines that a change in the Contract Documents is required because of the action taken by Contractor in response to such an emergency, a Work Change Directive or Change Order will be issued.

#### 7.16 *Shop Drawings, Samples, and Other Submittals*

##### A. *Shop Drawing and Sample Submittal Requirements:*

1. Before submitting a Shop Drawing or Sample, Contractor shall have:
  - a. reviewed and coordinated the Shop Drawing or Sample with other Shop Drawings and Samples and with the requirements of the Work and the Contract Documents;
  - b. determined and verified all field measurements, quantities, dimensions, specified performance and design criteria, installation requirements, materials, catalog numbers, and similar information with respect thereto;
  - c. determined and verified the suitability of all materials and equipment offered with respect to the indicated application, fabrication, shipping, handling, storage, assembly, and installation pertaining to the performance of the Work; and
  - d. determined and verified all information relative to Contractor's responsibilities for means, methods, techniques, sequences, and procedures of construction, and safety precautions and programs incident thereto.
2. Each submittal shall bear a stamp or specific written certification that Contractor has satisfied Contractor's obligations under the Contract Documents with respect to Contractor's review of that submittal, and that Contractor approves the submittal.
3. With each submittal, Contractor shall give Engineer specific written notice of any variations that the Shop Drawing or Sample may have from the requirements of the Contract Documents. This notice shall be set forth in a written communication separate from the Shop Drawings or Sample submittal; and, in addition, in the case of Shop Drawings by a specific notation made on each Shop Drawing submitted to Engineer for review and approval of each such variation.

- B. *Submittal Procedures for Shop Drawings and Samples:* Contractor shall submit Shop Drawings and Samples to Engineer for review and approval in accordance with the accepted Schedule of Submittals. Each submittal will be identified as Engineer may require.

##### 1. *Shop Drawings:*

- a. Contractor shall submit the number of copies required in the Specifications.
- b. Data shown on the Shop Drawings will be complete with respect to quantities, dimensions, specified performance and design criteria, materials, and similar data to show Engineer the services, materials, and equipment Contractor proposes to

provide and to enable Engineer to review the information for the limited purposes required by Paragraph 7.16.D.

2. *Samples:*
  - a. Contractor shall submit the number of Samples required in the Specifications.
  - b. Contractor shall clearly identify each Sample as to material, Supplier, pertinent data such as catalog numbers, the use for which intended and other data as Engineer may require to enable Engineer to review the submittal for the limited purposes required by Paragraph 7.16.D.
3. Where a Shop Drawing or Sample is required by the Contract Documents or the Schedule of Submittals, any related Work performed prior to Engineer's review and approval of the pertinent submittal will be at the sole expense and responsibility of Contractor.
- C. *Other Submittals:* Contractor shall submit other submittals to Engineer in accordance with the accepted Schedule of Submittals, and pursuant to the applicable terms of the Specifications.
- D. *Engineer's Review:*
  1. Engineer will provide timely review of Shop Drawings and Samples in accordance with the Schedule of Submittals acceptable to Engineer. Engineer's review and approval will be only to determine if the items covered by the submittals will, after installation or incorporation in the Work, conform to the information given in the Contract Documents and be compatible with the design concept of the completed Project as a functioning whole as indicated by the Contract Documents.
  2. Engineer's review and approval will not extend to means, methods, techniques, sequences, or procedures of construction or to safety precautions or programs incident thereto.
  3. Engineer's review and approval of a separate item as such will not indicate approval of the assembly in which the item functions.
  4. Engineer's review and approval of a Shop Drawing or Sample shall not relieve Contractor from responsibility for any variation from the requirements of the Contract Documents unless Contractor has complied with the requirements of Paragraph 7.16.A.3 and Engineer has given written approval of each such variation by specific written notation thereof incorporated in or accompanying the Shop Drawing or Sample. Engineer will document any such approved variation from the requirements of the Contract Documents in a Field Order.
  5. Engineer's review and approval of a Shop Drawing or Sample shall not relieve Contractor from responsibility for complying with the requirements of Paragraph 7.16.A and B.
  6. Engineer's review and approval of a Shop Drawing or Sample, or of a variation from the requirements of the Contract Documents, shall not, under any circumstances, change the Contract Times or Contract Price, unless such changes are included in a Change Order.
  7. Neither Engineer's receipt, review, acceptance or approval of a Shop Drawing, Sample, or other submittal shall result in such item becoming a Contract Document.



8. Contractor shall perform the Work in compliance with the requirements and commitments set forth in approved Shop Drawings and Samples, subject to the provisions of Paragraph 7.16.D.4.

E. *Resubmittal Procedures:*

1. Contractor shall make corrections required by Engineer and shall return the required number of corrected copies of Shop Drawings and submit, as required, new Samples for review and approval. Contractor shall direct specific attention in writing to revisions other than the corrections called for by Engineer on previous submittals.
2. Contractor shall furnish required submittals with sufficient information and accuracy to obtain required approval of an item with no more than three submittals. Engineer will record Engineer's time for reviewing a fourth or subsequent submittal of a Shop Drawings, sample, or other item requiring approval, and Contractor shall be responsible for Engineer's charges to Owner for such time. Owner may impose a set-off against payments due to Contractor to secure reimbursement for such charges.
3. If Contractor requests a change of a previously approved submittal item, Contractor shall be responsible for Engineer's charges to Owner for its review time, and Owner may impose a set-off against payments due to Contractor to secure reimbursement for such charges, unless the need for such change is beyond the control of Contractor.

7.17 *Contractor's General Warranty and Guarantee*

- A. Contractor warrants and guarantees to Owner that all Work will be in accordance with the Contract Documents and will not be defective. Engineer and its officers, directors, members, partners, employees, agents, consultants, and subcontractors shall be entitled to rely on Contractor's warranty and guarantee.
- B. Contractor's warranty and guarantee hereunder excludes defects or damage caused by:
  1. abuse, modification, or improper maintenance or operation by persons other than Contractor, Subcontractors, Suppliers, or any other individual or entity for whom Contractor is responsible; or
  2. normal wear and tear under normal usage.
- C. Contractor's obligation to perform and complete the Work in accordance with the Contract Documents shall be absolute. None of the following will constitute an acceptance of Work that is not in accordance with the Contract Documents or a release of Contractor's obligation to perform the Work in accordance with the Contract Documents:
  1. observations by Engineer;
  2. recommendation by Engineer or payment by Owner of any progress or final payment;
  3. the issuance of a certificate of Substantial Completion by Engineer or any payment related thereto by Owner;
  4. use or occupancy of the Work or any part thereof by Owner;
  5. any review and approval of a Shop Drawing or Sample submittal;
  6. the issuance of a notice of acceptability by Engineer;
  7. any inspection, test, or approval by others; or
  8. any correction of defective Work by Owner.

- D. If the Contract requires the Contractor to accept the assignment of a contract entered into by Owner, then the specific warranties, guarantees, and correction obligations contained in the assigned contract shall govern with respect to Contractor's performance obligations to Owner for the Work described in the assigned contract.

#### 7.18 *Indemnification*

- A. To the fullest extent permitted by Laws and Regulations, and in addition to any other obligations of Contractor under the Contract or otherwise, Contractor shall indemnify and hold harmless Owner and Engineer, and the officers, directors, members, partners, employees, agents, consultants and subcontractors of each and any of them from and against all claims, costs, losses, and damages (including but not limited to all fees and charges of engineers, architects, attorneys, and other professionals and all court or arbitration or other dispute resolution costs) arising out of or relating to the performance of the Work, provided that any such claim, cost, loss, or damage is attributable to bodily injury, sickness, disease, or death, or to injury to or destruction of tangible property (other than the Work itself), including the loss of use resulting therefrom but only to the extent caused by any negligent act or omission of Contractor, any Subcontractor, any Supplier, or any individual or entity directly or indirectly employed by any of them to perform any of the Work or anyone for whose acts any of them may be liable.
- B. In any and all claims against Owner or Engineer or any of their officers, directors, members, partners, employees, agents, consultants, or subcontractors by any employee (or the survivor or personal representative of such employee) of Contractor, any Subcontractor, any Supplier, or any individual or entity directly or indirectly employed by any of them to perform any of the Work, or anyone for whose acts any of them may be liable, the indemnification obligation under Paragraph 7.18.A shall not be limited in any way by any limitation on the amount or type of damages, compensation, or benefits payable by or for Contractor or any such Subcontractor, Supplier, or other individual or entity under workers' compensation acts, disability benefit acts, or other employee benefit acts.
- C. The indemnification obligations of Contractor under Paragraph 7.18.A shall not extend to the liability of Engineer and Engineer's officers, directors, members, partners, employees, agents, consultants and subcontractors arising out of:
  - 1. the preparation or approval of, or the failure to prepare or approve maps, Drawings, opinions, reports, surveys, Change Orders, designs, or Specifications; or
  - 2. giving directions or instructions, or failing to give them, if that is the primary cause of the injury or damage.

#### 7.19 *Delegation of Professional Design Services*

- A. Contractor will not be required to provide professional design services unless such services are specifically required by the Contract Documents for a portion of the Work or unless such services are required to carry out Contractor's responsibilities for construction means, methods, techniques, sequences and procedures. Contractor shall not be required to provide professional services in violation of applicable Laws and Regulations.
- B. If professional design services or certifications by a design professional related to systems, materials, or equipment are specifically required of Contractor by the Contract Documents, Owner and Engineer will specify all performance and design criteria that such services must satisfy. Contractor shall cause such services or certifications to be provided by a properly licensed professional, whose signature and seal shall appear on all drawings, calculations, specifications, certifications, and other submittals prepared by such professional. Shop

Drawings and other submittals related to the Work designed or certified by such professional, if prepared by others, shall bear such professional's written approval when submitted to Engineer.

- C. Owner and Engineer shall be entitled to rely upon the adequacy, accuracy, and completeness of the services, certifications, or approvals performed by such design professionals, provided Owner and Engineer have specified to Contractor all performance and design criteria that such services must satisfy.
- D. Pursuant to this paragraph, Engineer's review and approval of design calculations and design drawings will be only for the limited purpose of checking for conformance with performance and design criteria given and the design concept expressed in the Contract Documents. Engineer's review and approval of Shop Drawings and other submittals (except design calculations and design drawings) will be only for the purpose stated in Paragraph 7.16.D.1.
- E. Contractor shall not be responsible for the adequacy of the performance or design criteria specified by Owner or Engineer.

## **ARTICLE 8 – OTHER WORK AT THE SITE**

### **8.01 *Other Work***

- A. In addition to and apart from the Work under the Contract Documents, the Owner may perform other work at or adjacent to the Site. Such other work may be performed by Owner's employees, or through contracts between the Owner and third parties. Owner may also arrange to have third-party utility owners perform work on their utilities and facilities at or adjacent to the Site.
- B. If Owner performs other work at or adjacent to the Site with Owner's employees, or through contracts for such other work, then Owner shall give Contractor written notice thereof prior to starting any such other work. If Owner has advance information regarding the start of any utility work at or adjacent to the Site, Owner shall provide such information to Contractor.
- C. Contractor shall afford each other contractor that performs such other work, each utility owner performing other work, and Owner, if Owner is performing other work with Owner's employees, proper and safe access to the Site, and provide a reasonable opportunity for the introduction and storage of materials and equipment and the execution of such other work. Contractor shall do all cutting, fitting, and patching of the Work that may be required to properly connect or otherwise make its several parts come together and properly integrate with such other work. Contractor shall not endanger any work of others by cutting, excavating, or otherwise altering such work; provided, however, that Contractor may cut or alter others' work with the written consent of Engineer and the others whose work will be affected.
- D. If the proper execution or results of any part of Contractor's Work depends upon work performed by others under this Article 8, Contractor shall inspect such other work and promptly report to Engineer in writing any delays, defects, or deficiencies in such other work that render it unavailable or unsuitable for the proper execution and results of Contractor's Work. Contractor's failure to so report will constitute an acceptance of such other work as fit and proper for integration with Contractor's Work except for latent defects and deficiencies in such other work.

## 8.02 *Coordination*

- A. If Owner intends to contract with others for the performance of other work at or adjacent to the Site, to perform other work at or adjacent to the Site with Owner's employees, or to arrange to have utility owners perform work at or adjacent to the Site, the following will be set forth in the Supplementary Conditions or provided to Contractor prior to the start of any such other work:
  - 1. the identity of the individual or entity that will have authority and responsibility for coordination of the activities among the various contractors;
  - 2. an itemization of the specific matters to be covered by such authority and responsibility; and
  - 3. the extent of such authority and responsibilities.
- B. Unless otherwise provided in the Supplementary Conditions, Owner shall have sole authority and responsibility for such coordination.

## 8.03 *Legal Relationships*

- A. If, in the course of performing other work at or adjacent to the Site for Owner, the Owner's employees, any other contractor working for Owner, or any utility owner for whom the Owner is responsible causes damage to the Work or to the property of Contractor or its Subcontractors, or delays, disrupts, interferes with, or increases the scope or cost of the performance of the Work, through actions or inaction, then Contractor shall be entitled to an equitable adjustment in the Contract Price or the Contract Times, or both. Contractor must submit any Change Proposal seeking an equitable adjustment in the Contract Price or the Contract Times under this paragraph within 30 days of the damaging, delaying, disrupting, or interfering event. The entitlement to, and extent of, any such equitable adjustment shall take into account information (if any) regarding such other work that was provided to Contractor in the Contract Documents prior to the submittal of the Bid or the final negotiation of the terms of the Contract. When applicable, any such equitable adjustment in Contract Price shall be conditioned on Contractor assigning to Owner all Contractor's rights against such other contractor or utility owner with respect to the damage, delay, disruption, or interference that is the subject of the adjustment. Contractor's entitlement to an adjustment of the Contract Times is conditioned on such adjustment being essential to Contractor's ability to complete the Work within the Contract Times.
- B. Contractor shall take reasonable and customary measures to avoid damaging, delaying, disrupting, or interfering with the work of Owner, any other contractor, or any utility owner performing other work at or adjacent to the Site. If Contractor fails to take such measures and as a result damages, delays, disrupts, or interferes with the work of any such other contractor or utility owner, then Owner may impose a set-off against payments due to Contractor, and assign to such other contractor or utility owner the Owner's contractual rights against Contractor with respect to the breach of the obligations set forth in this paragraph.
- C. When Owner is performing other work at or adjacent to the Site with Owner's employees, Contractor shall be liable to Owner for damage to such other work, and for the reasonable direct delay, disruption, and interference costs incurred by Owner as a result of Contractor's failure to take reasonable and customary measures with respect to Owner's other work. In response to such damage, delay, disruption, or interference, Owner may impose a set-off against payments due to Contractor.

- D. If Contractor damages, delays, disrupts, or interferes with the work of any other contractor, or any utility owner performing other work at or adjacent to the Site, through Contractor's failure to take reasonable and customary measures to avoid such impacts, or if any claim arising out of Contractor's actions, inactions, or negligence in performance of the Work at or adjacent to the Site is made by any such other contractor or utility owner against Contractor, Owner, or Engineer, then Contractor shall (1) promptly attempt to settle the claim as to all parties through negotiations with such other contractor or utility owner, or otherwise resolve the claim by arbitration or other dispute resolution proceeding or at law, and (2) indemnify and hold harmless Owner and Engineer, and the officers, directors, members, partners, employees, agents, consultants and subcontractors of each and any of them from and against any such claims, and against all costs, losses, and damages (including but not limited to all fees and charges of engineers, architects, attorneys, and other professionals and all court or arbitration or other dispute resolution costs) arising out of or relating to such damage, delay, disruption, or interference.

## **ARTICLE 9 – OWNER'S RESPONSIBILITIES**

### **9.01 *Communications to Contractor***

- A. Except as otherwise provided in these General Conditions, Owner shall issue all communications to Contractor through Engineer.

### **9.02 *Replacement of Engineer***

- A. Owner may at its discretion appoint an engineer to replace Engineer, provided Contractor makes no reasonable objection to the replacement engineer. The replacement engineer's status under the Contract Documents shall be that of the former Engineer.

### **9.03 *Furnish Data***

- A. Owner shall promptly furnish the data required of Owner under the Contract Documents.

### **9.04 *Pay When Due***

- A. Owner shall make payments to Contractor when they are due as provided in the Agreement.

### **9.05 *Lands and Easements; Reports, Tests, and Drawings***

- A. Owner's duties with respect to providing lands and easements are set forth in Paragraph 5.01.
- B. Owner's duties with respect to providing engineering surveys to establish reference points are set forth in Paragraph 4.03.
- C. Article 5 refers to Owner's identifying and making available to Contractor copies of reports of explorations and tests of conditions at the Site, and drawings of physical conditions relating to existing surface or subsurface structures at the Site.

### **9.06 *Insurance***

- A. Owner's responsibilities, if any, with respect to purchasing and maintaining liability and property insurance are set forth in Article 6.

### **9.07 *Change Orders***

- A. Owner's responsibilities with respect to Change Orders are set forth in Article 11.

9.08 *Inspections, Tests, and Approvals*

- A. Owner's responsibility with respect to certain inspections, tests, and approvals is set forth in Paragraph 14.02.B.

9.09 *Limitations on Owner's Responsibilities*

- A. The Owner shall not supervise, direct, or have control or authority over, nor be responsible for, Contractor's means, methods, techniques, sequences, or procedures of construction, or the safety precautions and programs incident thereto, or for any failure of Contractor to comply with Laws and Regulations applicable to the performance of the Work. Owner will not be responsible for Contractor's failure to perform the Work in accordance with the Contract Documents.

9.10 *Undisclosed Hazardous Environmental Condition*

- A. Owner's responsibility in respect to an undisclosed Hazardous Environmental Condition is set forth in Paragraph 5.06.

9.11 *Evidence of Financial Arrangements*

- A. Upon request of Contractor, Owner shall furnish Contractor reasonable evidence that financial arrangements have been made to satisfy Owner's obligations under the Contract Documents (including obligations under proposed changes in the Work).

9.12 *Safety Programs*

- A. While at the Site, Owner's employees and representatives shall comply with the specific applicable requirements of Contractor's safety programs of which Owner has been informed.
- B. Owner shall furnish copies of any applicable Owner safety programs to Contractor.

**ARTICLE 10 – ENGINEER'S STATUS DURING CONSTRUCTION**

10.01 *Owner's Representative*

- A. Engineer will be Owner's representative during the construction period. The duties and responsibilities and the limitations of authority of Engineer as Owner's representative during construction are set forth in the Contract.

10.02 *Visits to Site*

- A. Engineer will make visits to the Site at intervals appropriate to the various stages of construction as Engineer deems necessary in order to observe as an experienced and qualified design professional the progress that has been made and the quality of the various aspects of Contractor's executed Work. Based on information obtained during such visits and observations, Engineer, for the benefit of Owner, will determine, in general, if the Work is proceeding in accordance with the Contract Documents. Engineer will not be required to make exhaustive or continuous inspections on the Site to check the quality or quantity of the Work. Engineer's efforts will be directed toward providing for Owner a greater degree of confidence that the completed Work will conform generally to the Contract Documents. On the basis of such visits and observations, Engineer will keep Owner informed of the progress of the Work and will endeavor to guard Owner against defective Work.
- B. Engineer's visits and observations are subject to all the limitations on Engineer's authority and responsibility set forth in Paragraph 10.08. Particularly, but without limitation, during

or as a result of Engineer's visits or observations of Contractor's Work, Engineer will not supervise, direct, control, or have authority over or be responsible for Contractor's means, methods, techniques, sequences, or procedures of construction, or the safety precautions and programs incident thereto, or for any failure of Contractor to comply with Laws and Regulations applicable to the performance of the Work.

10.03 *Project Representative*

- A. If Owner and Engineer have agreed that Engineer will furnish a Resident Project Representative to represent Engineer at the Site and assist Engineer in observing the progress and quality of the Work, then the authority and responsibilities of any such Resident Project Representative will be as provided in the Supplementary Conditions, and limitations on the responsibilities thereof will be as provided in Paragraph 10.08. If Owner designates another representative or agent to represent Owner at the Site who is not Engineer's consultant, agent, or employee, the responsibilities and authority and limitations thereon of such other individual or entity will be as provided in the Supplementary Conditions.

10.04 *Rejecting Defective Work*

- A. Engineer has the authority to reject Work in accordance with Article 14.

10.05 *Shop Drawings, Change Orders and Payments*

- A. Engineer's authority, and limitations thereof, as to Shop Drawings and Samples, are set forth in Paragraph 7.16.
- B. Engineer's authority, and limitations thereof, as to design calculations and design drawings submitted in response to a delegation of professional design services, if any, are set forth in Paragraph 7.19.
- C. Engineer's authority as to Change Orders is set forth in Article 11.
- D. Engineer's authority as to Applications for Payment is set forth in Article 15.

10.06 *Determinations for Unit Price Work*

- A. Engineer will determine the actual quantities and classifications of Unit Price Work performed by Contractor as set forth in Paragraph 13.03.

10.07 *Decisions on Requirements of Contract Documents and Acceptability of Work*

- A. Engineer will render decisions regarding the requirements of the Contract Documents, and judge the acceptability of the Work, pursuant to the specific procedures set forth herein for initial interpretations, Change Proposals, and acceptance of the Work. In rendering such decisions and judgments, Engineer will not show partiality to Owner or Contractor, and will not be liable to Owner, Contractor, or others in connection with any proceedings, interpretations, decisions, or judgments conducted or rendered in good faith.

10.08 *Limitations on Engineer's Authority and Responsibilities*

- A. Neither Engineer's authority or responsibility under this Article 10 or under any other provision of the Contract, nor any decision made by Engineer in good faith either to exercise or not exercise such authority or responsibility or the undertaking, exercise, or performance of any authority or responsibility by Engineer, shall create, impose, or give rise to any duty in contract, tort, or otherwise owed by Engineer to Contractor, any Subcontractor, any Supplier, any other individual or entity, or to any surety for or employee or agent of any of them.

- B. Engineer will not supervise, direct, control, or have authority over or be responsible for Contractor's means, methods, techniques, sequences, or procedures of construction, or the safety precautions and programs incident thereto, or for any failure of Contractor to comply with Laws and Regulations applicable to the performance of the Work. Engineer will not be responsible for Contractor's failure to perform the Work in accordance with the Contract Documents.
- C. Engineer will not be responsible for the acts or omissions of Contractor or of any Subcontractor, any Supplier, or of any other individual or entity performing any of the Work.
- D. Engineer's review of the final Application for Payment and accompanying documentation and all maintenance and operating instructions, schedules, guarantees, bonds, certificates of inspection, tests and approvals, and other documentation required to be delivered by Paragraph 15.06.A will only be to determine generally that their content complies with the requirements of, and in the case of certificates of inspections, tests, and approvals, that the results certified indicate compliance with the Contract Documents.
- E. The limitations upon authority and responsibility set forth in this Paragraph 10.08 shall also apply to the Resident Project Representative, if any.

#### 10.09 *Compliance with Safety Program*

- A. While at the Site, Engineer's employees and representatives will comply with the specific applicable requirements of Owner's and Contractor's safety programs (if any) of which Engineer has been informed.

### **ARTICLE 11 – AMENDING THE CONTRACT DOCUMENTS; CHANGES IN THE WORK**

#### 11.01 *Amending and Supplementing Contract Documents*

- A. The Contract Documents may be amended or supplemented by a Change Order, a Work Change Directive, or a Field Order.
  - 1. *Change Orders:*
    - a. If an amendment or supplement to the Contract Documents includes a change in the Contract Price or the Contract Times, such amendment or supplement must be set forth in a Change Order. A Change Order also may be used to establish amendments and supplements of the Contract Documents that do not affect the Contract Price or Contract Times.
    - b. Owner and Contractor may amend those terms and conditions of the Contract Documents that do not involve (1) the performance or acceptability of the Work, (2) the design (as set forth in the Drawings, Specifications, or otherwise), or (3) other engineering or technical matters, without the recommendation of the Engineer. Such an amendment shall be set forth in a Change Order.
  - 2. *Work Change Directives:* A Work Change Directive will not change the Contract Price or the Contract Times but is evidence that the parties expect that the modification ordered or documented by a Work Change Directive will be incorporated in a subsequently issued Change Order, following negotiations by the parties as to the Work Change Directive's effect, if any, on the Contract Price and Contract Times; or, if negotiations are unsuccessful, by a determination under the terms of the Contract Documents governing adjustments, expressly including Paragraph 11.04 regarding change of Contract Price. Contractor must submit any Change Proposal seeking an



adjustment of the Contract Price or the Contract Times, or both, no later than 30 days after the completion of the Work set out in the Work Change Directive. Owner must submit any Claim seeking an adjustment of the Contract Price or the Contract Times, or both, no later than 60 days after issuance of the Work Change Directive.

3. *Field Orders*: Engineer may authorize minor changes in the Work if the changes do not involve an adjustment in the Contract Price or the Contract Times and are compatible with the design concept of the completed Project as a functioning whole as indicated by the Contract Documents. Such changes will be accomplished by a Field Order and will be binding on Owner and also on Contractor, which shall perform the Work involved promptly. If Contractor believes that a Field Order justifies an adjustment in the Contract Price or Contract Times, or both, then before proceeding with the Work at issue, Contractor shall submit a Change Proposal as provided herein.

#### 11.02 *Owner-Authorized Changes in the Work*

- A. Without invalidating the Contract and without notice to any surety, Owner may, at any time or from time to time, order additions, deletions, or revisions in the Work. Such changes shall be supported by Engineer's recommendation, to the extent the change involves the design (as set forth in the Drawings, Specifications, or otherwise), or other engineering or technical matters. Such changes may be accomplished by a Change Order, if Owner and Contractor have agreed as to the effect, if any, of the changes on Contract Times or Contract Price; or by a Work Change Directive. Upon receipt of any such document, Contractor shall promptly proceed with the Work involved; or, in the case of a deletion in the Work, promptly cease construction activities with respect to such deleted Work. Added or revised Work shall be performed under the applicable conditions of the Contract Documents. Nothing in this paragraph shall obligate Contractor to undertake work that Contractor reasonably concludes cannot be performed in a manner consistent with Contractor's safety obligations under the Contract Documents or Laws and Regulations.

#### 11.03 *Unauthorized Changes in the Work*

- A. Contractor shall not be entitled to an increase in the Contract Price or an extension of the Contract Times with respect to any work performed that is not required by the Contract Documents, as amended, modified, or supplemented, except in the case of an emergency as provided in Paragraph 7.15 or in the case of uncovering Work as provided in Paragraph 14.05.

#### 11.04 *Change of Contract Price*

- A. The Contract Price may only be changed by a Change Order. Any Change Proposal for an adjustment in the Contract Price shall comply with the provisions of Paragraph 11.06. Any Claim for an adjustment of Contract Price shall comply with the provisions of Article 12.
- B. An adjustment in the Contract Price will be determined as follows:
  1. where the Work involved is covered by unit prices contained in the Contract Documents, then by application of such unit prices to the quantities of the items involved (subject to the provisions of Paragraph 13.03); or
  2. where the Work involved is not covered by unit prices contained in the Contract Documents, then by a mutually agreed lump sum (which may include an allowance for overhead and profit not necessarily in accordance with Paragraph 11.04.C.2); or
  3. where the Work involved is not covered by unit prices contained in the Contract Documents and the parties do not reach mutual agreement to a lump sum, then on

the basis of the Cost of the Work (determined as provided in Paragraph 13.01) plus a Contractor's fee for overhead and profit (determined as provided in Paragraph 11.04.C).

- C. *Contractor's Fee*: When applicable, the Contractor's fee for overhead and profit shall be determined as follows:
1. a mutually acceptable fixed fee; or
  2. if a fixed fee is not agreed upon, then a fee based on the following percentages of the various portions of the Cost of the Work:
    - a. for costs incurred under Paragraphs 13.01.B.1 and 13.01.B.2, the Contractor's fee shall be 15 percent;
    - b. for costs incurred under Paragraph 13.01.B.3, the Contractor's fee shall be five percent;
    - c. where one or more tiers of subcontracts are on the basis of Cost of the Work plus a fee and no fixed fee is agreed upon, the intent of Paragraphs 11.04.C.2.a and 11.04.C.2.b is that the Contractor's fee shall be based on: (1) a fee of 15 percent of the costs incurred under Paragraphs 13.01.A.1 and 13.01.A.2 by the Subcontractor that actually performs the Work, at whatever tier, and (2) with respect to Contractor itself and to any Subcontractors of a tier higher than that of the Subcontractor that actually performs the Work, a fee of five percent of the amount (fee plus underlying costs incurred) attributable to the next lower tier Subcontractor; provided, however, that for any such subcontracted work the maximum total fee to be paid by Owner shall be no greater than 27 percent of the costs incurred by the Subcontractor that actually performs the work;
    - d. no fee shall be payable on the basis of costs itemized under Paragraphs 13.01.B.4, 13.01.B.5, and 13.01.C;
    - e. the amount of credit to be allowed by Contractor to Owner for any change which results in a net decrease in cost will be the amount of the actual net decrease in cost plus a deduction in Contractor's fee by an amount equal to five percent of such net decrease; and
    - f. when both additions and credits are involved in any one change, the adjustment in Contractor's fee shall be computed on the basis of the net change in accordance with Paragraphs 11.04.C.2.a through 11.04.C.2.e, inclusive.

#### 11.05 *Change of Contract Times*

- A. The Contract Times may only be changed by a Change Order. Any Change Proposal for an adjustment in the Contract Times shall comply with the provisions of Paragraph 11.06. Any Claim for an adjustment in the Contract Times shall comply with the provisions of Article 12.
- B. An adjustment of the Contract Times shall be subject to the limitations set forth in Paragraph 4.05, concerning delays in Contractor's progress.

#### 11.06 *Change Proposals*

- A. Contractor shall submit a Change Proposal to Engineer to request an adjustment in the Contract Times or Contract Price; appeal an initial decision by Engineer concerning the requirements of the Contract Documents or relating to the acceptability of the Work under the Contract Documents; contest a set-off against payment due; or seek other relief under

the Contract. The Change Proposal shall specify any proposed change in Contract Times or Contract Price, or both, or other proposed relief, and explain the reason for the proposed change, with citations to any governing or applicable provisions of the Contract Documents.

1. *Procedures:* Contractor shall submit each Change Proposal to Engineer promptly (but in no event later than 30 days) after the start of the event giving rise thereto, or after such initial decision. The Contractor shall submit supporting data, including the proposed change in Contract Price or Contract Time (if any), to the Engineer and Owner within 15 days after the submittal of the Change Proposal. The supporting data shall be accompanied by a written statement that the supporting data are accurate and complete, and that any requested time or price adjustment is the entire adjustment to which Contractor believes it is entitled as a result of said event. Engineer will advise Owner regarding the Change Proposal, and consider any comments or response from Owner regarding the Change Proposal.
  2. *Engineer's Action:* Engineer will review each Change Proposal and, within 30 days after receipt of the Contractor's supporting data, either deny the Change Proposal in whole, approve it in whole, or deny it in part and approve it in part. Such actions shall be in writing, with a copy provided to Owner and Contractor. If Engineer does not take action on the Change Proposal within 30 days, then either Owner or Contractor may at any time thereafter submit a letter to the other party indicating that as a result of Engineer's inaction the Change Proposal is deemed denied, thereby commencing the time for appeal of the denial under Article 12.
  3. *Binding Decision:* Engineer's decision will be final and binding upon Owner and Contractor, unless Owner or Contractor appeals the decision by filing a Claim under Article 12.
- B. *Resolution of Certain Change Proposals:* If the Change Proposal does not involve the design (as set forth in the Drawings, Specifications, or otherwise), the acceptability of the Work, or other engineering or technical matters, then Engineer will notify the parties that the Engineer is unable to resolve the Change Proposal. For purposes of further resolution of such a Change Proposal, such notice shall be deemed a denial, and Contractor may choose to seek resolution under the terms of Article 12.

#### 11.07 Execution of Change Orders

- A. Owner and Contractor shall execute appropriate Change Orders covering:
1. changes in the Contract Price or Contract Times which are agreed to by the parties, including any undisputed sum or amount of time for Work actually performed in accordance with a Work Change Directive;
  2. changes in Contract Price resulting from an Owner set-off, unless Contractor has duly contested such set-off;
  3. changes in the Work which are: (a) ordered by Owner pursuant to Paragraph 11.02, (b) required because of Owner's acceptance of defective Work under Paragraph 14.04 or Owner's correction of defective Work under Paragraph 14.07, or (c) agreed to by the parties, subject to the need for Engineer's recommendation if the change in the Work involves the design (as set forth in the Drawings, Specifications, or otherwise), or other engineering or technical matters; and
  4. changes in the Contract Price or Contract Times, or other changes, which embody the substance of any final and binding results under Paragraph 11.06, or Article 12.

- B. If Owner or Contractor refuses to execute a Change Order that is required to be executed under the terms of this Paragraph 11.07, it shall be deemed to be of full force and effect, as if fully executed.

#### 11.08 *Notification to Surety*

- A. If the provisions of any bond require notice to be given to a surety of any change affecting the general scope of the Work or the provisions of the Contract Documents (including, but not limited to, Contract Price or Contract Times), the giving of any such notice will be Contractor's responsibility. The amount of each applicable bond will be adjusted to reflect the effect of any such change.

### **ARTICLE 12 – CLAIMS**

#### 12.01 *Claims*

- A. *Claims Process:* The following disputes between Owner and Contractor shall be submitted to the Claims process set forth in this Article:
  - 1. Appeals by Owner or Contractor of Engineer's decisions regarding Change Proposals;
  - 2. Owner demands for adjustments in the Contract Price or Contract Times, or other relief under the Contract Documents; and
  - 3. Disputes that Engineer has been unable to address because they do not involve the design (as set forth in the Drawings, Specifications, or otherwise), the acceptability of the Work, or other engineering or technical matters.
- B. *Submittal of Claim:* The party submitting a Claim shall deliver it directly to the other party to the Contract promptly (but in no event later than 30 days) after the start of the event giving rise thereto; in the case of appeals regarding Change Proposals within 30 days of the decision under appeal. The party submitting the Claim shall also furnish a copy to the Engineer, for its information only. The responsibility to substantiate a Claim shall rest with the party making the Claim. In the case of a Claim by Contractor seeking an increase in the Contract Times or Contract Price, or both, Contractor shall certify that the Claim is made in good faith, that the supporting data are accurate and complete, and that to the best of Contractor's knowledge and belief the amount of time or money requested accurately reflects the full amount to which Contractor is entitled.
- C. *Review and Resolution:* The party receiving a Claim shall review it thoroughly, giving full consideration to its merits. The two parties shall seek to resolve the Claim through the exchange of information and direct negotiations. The parties may extend the time for resolving the Claim by mutual agreement. All actions taken on a Claim shall be stated in writing and submitted to the other party, with a copy to Engineer.
- D. *Mediation:*
  - 1. At any time after initiation of a Claim, Owner and Contractor may mutually agree to mediation of the underlying dispute. The agreement to mediate shall stay the Claim submittal and response process.
  - 2. If Owner and Contractor agree to mediation, then after 60 days from such agreement, either Owner or Contractor may unilaterally terminate the mediation process, and the Claim submittal and decision process shall resume as of the date of the termination. If the mediation proceeds but is unsuccessful in resolving the dispute, the Claim

submittal and decision process shall resume as of the date of the conclusion of the mediation, as determined by the mediator.

3. Owner and Contractor shall each pay one-half of the mediator's fees and costs.
- E. *Partial Approval*: If the party receiving a Claim approves the Claim in part and denies it in part, such action shall be final and binding unless within 30 days of such action the other party invokes the procedure set forth in Article 17 for final resolution of disputes.
- F. *Denial of Claim*: If efforts to resolve a Claim are not successful, the party receiving the Claim may deny it by giving written notice of denial to the other party. If the receiving party does not take action on the Claim within 90 days, then either Owner or Contractor may at any time thereafter submit a letter to the other party indicating that as a result of the inaction, the Claim is deemed denied, thereby commencing the time for appeal of the denial. A denial of the Claim shall be final and binding unless within 30 days of the denial the other party invokes the procedure set forth in Article 17 for the final resolution of disputes.
- G. *Final and Binding Results*: If the parties reach a mutual agreement regarding a Claim, whether through approval of the Claim, direct negotiations, mediation, or otherwise; or if a Claim is approved in part and denied in part, or denied in full, and such actions become final and binding; then the results of the agreement or action on the Claim shall be incorporated in a Change Order to the extent they affect the Contract, including the Work, the Contract Times, or the Contract Price.

## **ARTICLE 13 – COST OF THE WORK; ALLOWANCES; UNIT PRICE WORK**

### 13.01 *Cost of the Work*

- A. *Purposes for Determination of Cost of the Work*: The term Cost of the Work means the sum of all costs necessary for the proper performance of the Work at issue, as further defined below. The provisions of this Paragraph 13.01 are used for two distinct purposes:
  1. To determine Cost of the Work when Cost of the Work is a component of the Contract Price, under cost-plus-fee, time-and-materials, or other cost-based terms; or
  2. To determine the value of a Change Order, Change Proposal, Claim, set-off, or other adjustment in Contract Price. When the value of any such adjustment is determined on the basis of Cost of the Work, Contractor is entitled only to those additional or incremental costs required because of the change in the Work or because of the event giving rise to the adjustment.
- B. *Costs Included*: Except as otherwise may be agreed to in writing by Owner, costs included in the Cost of the Work shall be in amounts no higher than those prevailing in the locality of the Project, shall not include any of the costs itemized in Paragraph 13.01.C, and shall include only the following items:
  1. Payroll costs for employees in the direct employ of Contractor in the performance of the Work under schedules of job classifications agreed upon by Owner and Contractor. Such employees shall include, without limitation, superintendents, foremen, and other personnel employed full time on the Work. Payroll costs for employees not employed full time on the Work shall be apportioned on the basis of their time spent on the Work. Payroll costs shall include, but not be limited to, salaries and wages plus the cost of fringe benefits, which shall include social security contributions, unemployment, excise, and payroll taxes, workers' compensation, health and retirement benefits, bonuses, sick leave, and vacation and holiday pay applicable

thereto. The expenses of performing Work outside of regular working hours, on Saturday, Sunday, or legal holidays, shall be included in the above to the extent authorized by Owner.

2. Cost of all materials and equipment furnished and incorporated in the Work, including costs of transportation and storage thereof, and Suppliers' field services required in connection therewith. All cash discounts shall accrue to Contractor unless Owner deposits funds with Contractor with which to make payments, in which case the cash discounts shall accrue to Owner. All trade discounts, rebates, and refunds and returns from sale of surplus materials and equipment shall accrue to Owner, and Contractor shall make provisions so that they may be obtained.
3. Payments made by Contractor to Subcontractors for Work performed by Subcontractors. If required by Owner, Contractor shall obtain competitive bids from subcontractors acceptable to Owner and Contractor and shall deliver such bids to Owner, who will then determine, with the advice of Engineer, which bids, if any, will be acceptable. If any subcontract provides that the Subcontractor is to be paid on the basis of Cost of the Work plus a fee, the Subcontractor's Cost of the Work and fee shall be determined in the same manner as Contractor's Cost of the Work and fee as provided in this Paragraph 13.01.
4. Costs of special consultants (including but not limited to engineers, architects, testing laboratories, surveyors, attorneys, and accountants) employed for services specifically related to the Work.
5. Supplemental costs including the following:
  - a. The proportion of necessary transportation, travel, and subsistence expenses of Contractor's employees incurred in discharge of duties connected with the Work.
  - b. Cost, including transportation and maintenance, of all materials, supplies, equipment, machinery, appliances, office, and temporary facilities at the Site, and hand tools not owned by the workers, which are consumed in the performance of the Work, and cost, less market value, of such items used but not consumed which remain the property of Contractor.
  - c. Rentals of all construction equipment and machinery, and the parts thereof, whether rented from Contractor or others in accordance with rental agreements approved by Owner with the advice of Engineer, and the costs of transportation, loading, unloading, assembly, dismantling, and removal thereof. All such costs shall be in accordance with the terms of said rental agreements. The rental of any such equipment, machinery, or parts shall cease when the use thereof is no longer necessary for the Work.
  - d. Sales, consumer, use, and other similar taxes related to the Work, and for which Contractor is liable, as imposed by Laws and Regulations.
  - e. Deposits lost for causes other than negligence of Contractor, any Subcontractor, or anyone directly or indirectly employed by any of them or for whose acts any of them may be liable, and royalty payments and fees for permits and licenses.
  - f. Losses and damages (and related expenses) caused by damage to the Work, not compensated by insurance or otherwise, sustained by Contractor in connection with the performance of the Work (except losses and damages within the deductible amounts of property insurance established in accordance with Paragraph 6.05), provided such losses and damages have resulted from causes

other than the negligence of Contractor, any Subcontractor, or anyone directly or indirectly employed by any of them or for whose acts any of them may be liable. Such losses shall include settlements made with the written consent and approval of Owner. No such losses, damages, and expenses shall be included in the Cost of the Work for the purpose of determining Contractor's fee.

- g. The cost of utilities, fuel, and sanitary facilities at the Site.
- h. Minor expenses such as communication service at the Site, express and courier services, and similar petty cash items in connection with the Work.
- i. The costs of premiums for all bonds and insurance that Contractor is required by the Contract Documents to purchase and maintain.

C. *Costs Excluded:* The term Cost of the Work shall not include any of the following items:

- 1. Payroll costs and other compensation of Contractor's officers, executives, principals (of partnerships and sole proprietorships), general managers, safety managers, engineers, architects, estimators, attorneys, auditors, accountants, purchasing and contracting agents, expeditors, timekeepers, clerks, and other personnel employed by Contractor, whether at the Site or in Contractor's principal or branch office for general administration of the Work and not specifically included in the agreed upon schedule of job classifications referred to in Paragraph 13.01.B.1 or specifically covered by Paragraph 13.01.B.4. The payroll costs and other compensation excluded here are to be considered administrative costs covered by the Contractor's fee.
- 2. Expenses of Contractor's principal and branch offices other than Contractor's office at the Site.
- 3. Any part of Contractor's capital expenses, including interest on Contractor's capital employed for the Work and charges against Contractor for delinquent payments.
- 4. Costs due to the negligence of Contractor, any Subcontractor, or anyone directly or indirectly employed by any of them or for whose acts any of them may be liable, including but not limited to, the correction of defective Work, disposal of materials or equipment wrongly supplied, and making good any damage to property.
- 5. Other overhead or general expense costs of any kind and the costs of any item not specifically and expressly included in Paragraph 13.01.B.

D. *Contractor's Fee:* When the Work as a whole is performed on the basis of cost-plus, Contractor's fee shall be determined as set forth in the Agreement. When the value of any Work covered by a Change Order, Change Proposal, Claim, set-off, or other adjustment in Contract Price is determined on the basis of Cost of the Work, Contractor's fee shall be determined as set forth in Paragraph 11.04.C.

E. *Documentation:* Whenever the Cost of the Work for any purpose is to be determined pursuant to this Article 13, Contractor will establish and maintain records thereof in accordance with generally accepted accounting practices and submit in a form acceptable to Engineer an itemized cost breakdown together with supporting data.

### 13.02 Allowances

- A. It is understood that Contractor has included in the Contract Price all allowances so named in the Contract Documents and shall cause the Work so covered to be performed for such sums and by such persons or entities as may be acceptable to Owner and Engineer.

- B. *Cash Allowances*: Contractor agrees that:
  - 1. the cash allowances include the cost to Contractor (less any applicable trade discounts) of materials and equipment required by the allowances to be delivered at the Site, and all applicable taxes; and
  - 2. Contractor's costs for unloading and handling on the Site, labor, installation, overhead, profit, and other expenses contemplated for the cash allowances have been included in the Contract Price and not in the allowances, and no demand for additional payment on account of any of the foregoing will be valid.
- C. *Contingency Allowance*: Contractor agrees that a contingency allowance, if any, is for the sole use of Owner to cover unanticipated costs.
- D. Prior to final payment, an appropriate Change Order will be issued as recommended by Engineer to reflect actual amounts due Contractor on account of Work covered by allowances, and the Contract Price shall be correspondingly adjusted.

### 13.03 *Unit Price Work*

- A. Where the Contract Documents provide that all or part of the Work is to be Unit Price Work, initially the Contract Price will be deemed to include for all Unit Price Work an amount equal to the sum of the unit price for each separately identified item of Unit Price Work times the estimated quantity of each item as indicated in the Agreement.
- B. The estimated quantities of items of Unit Price Work are not guaranteed and are solely for the purpose of comparison of Bids and determining an initial Contract Price. Payments to Contractor for Unit Price Work will be based on actual quantities.
- C. Each unit price will be deemed to include an amount considered by Contractor to be adequate to cover Contractor's overhead and profit for each separately identified item.
- D. Engineer will determine the actual quantities and classifications of Unit Price Work performed by Contractor. Engineer will review with Contractor the Engineer's preliminary determinations on such matters before rendering a written decision thereon (by recommendation of an Application for Payment or otherwise). Engineer's written decision thereon will be final and binding (except as modified by Engineer to reflect changed factual conditions or more accurate data) upon Owner and Contractor, subject to the provisions of the following paragraph.
- E. Within 30 days of Engineer's written decision under the preceding paragraph, Contractor may submit a Change Proposal, or Owner may file a Claim, seeking an adjustment in the Contract Price if:
  - 1. the quantity of any item of Unit Price Work performed by Contractor differs materially and significantly from the estimated quantity of such item indicated in the Agreement;
  - 2. there is no corresponding adjustment with respect to any other item of Work; and
  - 3. Contractor believes that it is entitled to an increase in Contract Price as a result of having incurred additional expense or Owner believes that Owner is entitled to a decrease in Contract Price, and the parties are unable to agree as to the amount of any such increase or decrease.



## **ARTICLE 14 – TESTS AND INSPECTIONS; CORRECTION, REMOVAL OR ACCEPTANCE OF DEFECTIVE WORK**

### **14.01 Access to Work**

- A. Owner, Engineer, their consultants and other representatives and personnel of Owner, independent testing laboratories, and authorities having jurisdiction will have access to the Site and the Work at reasonable times for their observation, inspection, and testing. Contractor shall provide them proper and safe conditions for such access and advise them of Contractor's safety procedures and programs so that they may comply therewith as applicable.

### **14.02 Tests, Inspections, and Approvals**

- A. Contractor shall give Engineer timely notice of readiness of the Work (or specific parts thereof) for all required inspections and tests, and shall cooperate with inspection and testing personnel to facilitate required inspections and tests.
- B. Owner shall retain and pay for the services of an independent inspector, testing laboratory, or other qualified individual or entity to perform all inspections and tests expressly required by the Contract Documents to be furnished and paid for by Owner, except that costs incurred in connection with tests or inspections of covered Work shall be governed by the provisions of Paragraph 14.05.
- C. If Laws or Regulations of any public body having jurisdiction require any Work (or part thereof) specifically to be inspected, tested, or approved by an employee or other representative of such public body, Contractor shall assume full responsibility for arranging and obtaining such inspections, tests, or approvals, pay all costs in connection therewith, and furnish Engineer the required certificates of inspection or approval.
- D. Contractor shall be responsible for arranging, obtaining, and paying for all inspections and tests required:
  - 1. by the Contract Documents, unless the Contract Documents expressly allocate responsibility for a specific inspection or test to Owner;
  - 2. to attain Owner's and Engineer's acceptance of materials or equipment to be incorporated in the Work;
  - 3. by manufacturers of equipment furnished under the Contract Documents;
  - 4. for testing, adjusting, and balancing of mechanical, electrical, and other equipment to be incorporated into the Work; and
  - 5. for acceptance of materials, mix designs, or equipment submitted for approval prior to Contractor's purchase thereof for incorporation in the Work.

Such inspections and tests shall be performed by independent inspectors, testing laboratories, or other qualified individuals or entities acceptable to Owner and Engineer.

- E. If the Contract Documents require the Work (or part thereof) to be approved by Owner, Engineer, or another designated individual or entity, then Contractor shall assume full responsibility for arranging and obtaining such approvals.
- F. If any Work (or the work of others) that is to be inspected, tested, or approved is covered by Contractor without written concurrence of Engineer, Contractor shall, if requested by Engineer, uncover such Work for observation. Such uncovering shall be at Contractor's expense unless Contractor had given Engineer timely notice of Contractor's intention to

cover the same and Engineer had not acted with reasonable promptness in response to such notice.

#### 14.03 *Defective Work*

- A. *Contractor's Obligation:* It is Contractor's obligation to assure that the Work is not defective.
- B. *Engineer's Authority:* Engineer has the authority to determine whether Work is defective, and to reject defective Work.
- C. *Notice of Defects:* Prompt notice of all defective Work of which Owner or Engineer has actual knowledge will be given to Contractor.
- D. *Correction, or Removal and Replacement:* Promptly after receipt of written notice of defective Work, Contractor shall correct all such defective Work, whether or not fabricated, installed, or completed, or, if Engineer has rejected the defective Work, remove it from the Project and replace it with Work that is not defective.
- E. *Preservation of Warranties:* When correcting defective Work, Contractor shall take no action that would void or otherwise impair Owner's special warranty and guarantee, if any, on said Work.
- F. *Costs and Damages:* In addition to its correction, removal, and replacement obligations with respect to defective Work, Contractor shall pay all claims, costs, losses, and damages arising out of or relating to defective Work, including but not limited to the cost of the inspection, testing, correction, removal, replacement, or reconstruction of such defective Work, fines levied against Owner by governmental authorities because the Work is defective, and the costs of repair or replacement of work of others resulting from defective Work. Prior to final payment, if Owner and Contractor are unable to agree as to the measure of such claims, costs, losses, and damages resulting from defective Work, then Owner may impose a reasonable set-off against payments due under Article 15.

#### 14.04 *Acceptance of Defective Work*

- A. If, instead of requiring correction or removal and replacement of defective Work, Owner prefers to accept it, Owner may do so (subject, if such acceptance occurs prior to final payment, to Engineer's confirmation that such acceptance is in general accord with the design intent and applicable engineering principles, and will not endanger public safety). Contractor shall pay all claims, costs, losses, and damages attributable to Owner's evaluation of and determination to accept such defective Work (such costs to be approved by Engineer as to reasonableness), and for the diminished value of the Work to the extent not otherwise paid by Contractor. If any such acceptance occurs prior to final payment, the necessary revisions in the Contract Documents with respect to the Work shall be incorporated in a Change Order. If the parties are unable to agree as to the decrease in the Contract Price, reflecting the diminished value of Work so accepted, then Owner may impose a reasonable set-off against payments due under Article 15. If the acceptance of defective Work occurs after final payment, Contractor shall pay an appropriate amount to Owner.

#### 14.05 *Uncovering Work*

- A. Engineer has the authority to require additional inspection or testing of the Work, whether or not the Work is fabricated, installed, or completed.

- B. If any Work is covered contrary to the written request of Engineer, then Contractor shall, if requested by Engineer, uncover such Work for Engineer's observation, and then replace the covering, all at Contractor's expense.
- C. If Engineer considers it necessary or advisable that covered Work be observed by Engineer or inspected or tested by others, then Contractor, at Engineer's request, shall uncover, expose, or otherwise make available for observation, inspection, or testing as Engineer may require, that portion of the Work in question, and provide all necessary labor, material, and equipment.
  - 1. If it is found that the uncovered Work is defective, Contractor shall be responsible for all claims, costs, losses, and damages arising out of or relating to such uncovering, exposure, observation, inspection, and testing, and of satisfactory replacement or reconstruction (including but not limited to all costs of repair or replacement of work of others); and pending Contractor's full discharge of this responsibility the Owner shall be entitled to impose a reasonable set-off against payments due under Article 15.
  - 2. If the uncovered Work is not found to be defective, Contractor shall be allowed an increase in the Contract Price or an extension of the Contract Times, or both, directly attributable to such uncovering, exposure, observation, inspection, testing, replacement, and reconstruction. If the parties are unable to agree as to the amount or extent thereof, then Contractor may submit a Change Proposal within 30 days of the determination that the Work is not defective.

#### 14.06 *Owner May Stop the Work*

- A. If the Work is defective, or Contractor fails to supply sufficient skilled workers or suitable materials or equipment, or fails to perform the Work in such a way that the completed Work will conform to the Contract Documents, then Owner may order Contractor to stop the Work, or any portion thereof, until the cause for such order has been eliminated; however, this right of Owner to stop the Work shall not give rise to any duty on the part of Owner to exercise this right for the benefit of Contractor, any Subcontractor, any Supplier, any other individual or entity, or any surety for, or employee or agent of any of them.

#### 14.07 *Owner May Correct Defective Work*

- A. If Contractor fails within a reasonable time after written notice from Engineer to correct defective Work, or to remove and replace rejected Work as required by Engineer, or if Contractor fails to perform the Work in accordance with the Contract Documents, or if Contractor fails to comply with any other provision of the Contract Documents, then Owner may, after seven days written notice to Contractor, correct or remedy any such deficiency.
- B. In exercising the rights and remedies under this Paragraph 14.07, Owner shall proceed expeditiously. In connection with such corrective or remedial action, Owner may exclude Contractor from all or part of the Site, take possession of all or part of the Work and suspend Contractor's services related thereto, and incorporate in the Work all materials and equipment stored at the Site or for which Owner has paid Contractor but which are stored elsewhere. Contractor shall allow Owner, Owner's representatives, agents and employees, Owner's other contractors, and Engineer and Engineer's consultants access to the Site to enable Owner to exercise the rights and remedies under this paragraph.
- C. All claims, costs, losses, and damages incurred or sustained by Owner in exercising the rights and remedies under this Paragraph 14.07 will be charged against Contractor as set-offs against payments due under Article 15. Such claims, costs, losses and damages will

include but not be limited to all costs of repair, or replacement of work of others destroyed or damaged by correction, removal, or replacement of Contractor's defective Work.

- D. Contractor shall not be allowed an extension of the Contract Times because of any delay in the performance of the Work attributable to the exercise by Owner of Owner's rights and remedies under this Paragraph 14.07.

## **ARTICLE 15 – PAYMENTS TO CONTRACTOR; SET-OFFS; COMPLETION; CORRECTION PERIOD**

### **15.01 Progress Payments**

- A. *Basis for Progress Payments:* The Schedule of Values established as provided in Article 2 will serve as the basis for progress payments and will be incorporated into a form of Application for Payment acceptable to Engineer. Progress payments on account of Unit Price Work will be based on the number of units completed during the pay period, as determined under the provisions of Paragraph 13.03. Progress payments for cost-based Work will be based on Cost of the Work completed by Contractor during the pay period.
- B. *Applications for Payments:*
1. At least 20 days before the date established in the Agreement for each progress payment (but not more often than once a month), Contractor shall submit to Engineer for review an Application for Payment filled out and signed by Contractor covering the Work completed as of the date of the Application and accompanied by such supporting documentation as is required by the Contract Documents. If payment is requested on the basis of materials and equipment not incorporated in the Work but delivered and suitably stored at the Site or at another location agreed to in writing, the Application for Payment shall also be accompanied by a bill of sale, invoice, or other documentation warranting that Owner has received the materials and equipment free and clear of all Liens, and evidence that the materials and equipment are covered by appropriate property insurance, a warehouse bond, or other arrangements to protect Owner's interest therein, all of which must be satisfactory to Owner.
  2. Beginning with the second Application for Payment, each Application shall include an affidavit of Contractor stating that all previous progress payments received on account of the Work have been applied on account to discharge Contractor's legitimate obligations associated with prior Applications for Payment.
  3. The amount of retainage with respect to progress payments will be as stipulated in the Agreement.
- C. *Review of Applications:*
1. Engineer will, within 10 days after receipt of each Application for Payment, including each resubmittal, either indicate in writing a recommendation of payment and present the Application to Owner, or return the Application to Contractor indicating in writing Engineer's reasons for refusing to recommend payment. In the latter case, Contractor may make the necessary corrections and resubmit the Application.
  2. Engineer's recommendation of any payment requested in an Application for Payment will constitute a representation by Engineer to Owner, based on Engineer's observations of the executed Work as an experienced and qualified design professional, and on Engineer's review of the Application for Payment and the accompanying data and schedules, that to the best of Engineer's knowledge, information and belief:

- a. the Work has progressed to the point indicated;
  - b. the quality of the Work is generally in accordance with the Contract Documents (subject to an evaluation of the Work as a functioning whole prior to or upon Substantial Completion, the results of any subsequent tests called for in the Contract Documents, a final determination of quantities and classifications for Unit Price Work under Paragraph 13.03, and any other qualifications stated in the recommendation); and
  - c. the conditions precedent to Contractor's being entitled to such payment appear to have been fulfilled in so far as it is Engineer's responsibility to observe the Work.
3. By recommending any such payment Engineer will not thereby be deemed to have represented that:
    - a. inspections made to check the quality or the quantity of the Work as it has been performed have been exhaustive, extended to every aspect of the Work in progress, or involved detailed inspections of the Work beyond the responsibilities specifically assigned to Engineer in the Contract; or
    - b. there may not be other matters or issues between the parties that might entitle Contractor to be paid additionally by Owner or entitle Owner to withhold payment to Contractor.
  4. Neither Engineer's review of Contractor's Work for the purposes of recommending payments nor Engineer's recommendation of any payment, including final payment, will impose responsibility on Engineer:
    - a. to supervise, direct, or control the Work, or
    - b. for the means, methods, techniques, sequences, or procedures of construction, or the safety precautions and programs incident thereto, or
    - c. for Contractor's failure to comply with Laws and Regulations applicable to Contractor's performance of the Work, or
    - d. to make any examination to ascertain how or for what purposes Contractor has used the money paid on account of the Contract Price, or
    - e. to determine that title to any of the Work, materials, or equipment has passed to Owner free and clear of any Liens.
  5. Engineer may refuse to recommend the whole or any part of any payment if, in Engineer's opinion, it would be incorrect to make the representations to Owner stated in Paragraph 15.01.C.2.
  6. Engineer will recommend reductions in payment (set-offs) necessary in Engineer's opinion to protect Owner from loss because:
    - a. the Work is defective, requiring correction or replacement;
    - b. the Contract Price has been reduced by Change Orders;
    - c. Owner has been required to correct defective Work in accordance with Paragraph 14.07, or has accepted defective Work pursuant to Paragraph 14.04;
    - d. Owner has been required to remove or remediate a Hazardous Environmental Condition for which Contractor is responsible; or

- e. Engineer has actual knowledge of the occurrence of any of the events that would constitute a default by Contractor and therefore justify termination for cause under the Contract Documents.

D. *Payment Becomes Due:*

- 1. Ten days after presentation of the Application for Payment to Owner with Engineer's recommendation, the amount recommended (subject to any Owner set-offs) will become due, and when due will be paid by Owner to Contractor.

E. *Reductions in Payment by Owner:*

- 1. In addition to any reductions in payment (set-offs) recommended by Engineer, Owner is entitled to impose a set-off against payment based on any of the following:
  - a. claims have been made against Owner on account of Contractor's conduct in the performance or furnishing of the Work, or Owner has incurred costs, losses, or damages on account of Contractor's conduct in the performance or furnishing of the Work, including but not limited to claims, costs, losses, or damages from workplace injuries, adjacent property damage, non-compliance with Laws and Regulations, and patent infringement;
  - b. Contractor has failed to take reasonable and customary measures to avoid damage, delay, disruption, and interference with other work at or adjacent to the Site;
  - c. Contractor has failed to provide and maintain required bonds or insurance;
  - d. Owner has been required to remove or remediate a Hazardous Environmental Condition for which Contractor is responsible;
  - e. Owner has incurred extra charges or engineering costs related to submittal reviews, evaluations of proposed substitutes, tests and inspections, or return visits to manufacturing or assembly facilities;
  - f. the Work is defective, requiring correction or replacement;
  - g. Owner has been required to correct defective Work in accordance with Paragraph 14.07, or has accepted defective Work pursuant to Paragraph 14.04;
  - h. the Contract Price has been reduced by Change Orders;
  - i. an event that would constitute a default by Contractor and therefore justify a termination for cause has occurred;
  - j. liquidated damages have accrued as a result of Contractor's failure to achieve Milestones, Substantial Completion, or final completion of the Work;
  - k. Liens have been filed in connection with the Work, except where Contractor has delivered a specific bond satisfactory to Owner to secure the satisfaction and discharge of such Liens;
  - l. there are other items entitling Owner to a set off against the amount recommended.
- 2. If Owner imposes any set-off against payment, whether based on its own knowledge or on the written recommendations of Engineer, Owner will give Contractor immediate written notice (with a copy to Engineer) stating the reasons for such action and the specific amount of the reduction, and promptly pay Contractor any amount

remaining after deduction of the amount so withheld. Owner shall promptly pay Contractor the amount so withheld, or any adjustment thereto agreed to by Owner and Contractor, if Contractor remedies the reasons for such action. The reduction imposed shall be binding on Contractor unless it duly submits a Change Proposal contesting the reduction.

3. Upon a subsequent determination that Owner's refusal of payment was not justified, the amount wrongfully withheld shall be treated as an amount due as determined by Paragraph 15.01.C.1 and subject to interest as provided in the Agreement.

#### 15.02 *Contractor's Warranty of Title*

- A. Contractor warrants and guarantees that title to all Work, materials, and equipment furnished under the Contract will pass to Owner free and clear of (1) all Liens and other title defects, and (2) all patent, licensing, copyright, or royalty obligations, no later than seven days after the time of payment by Owner.

#### 15.03 *Substantial Completion*

- A. When Contractor considers the entire Work ready for its intended use Contractor shall notify Owner and Engineer in writing that the entire Work is substantially complete and request that Engineer issue a certificate of Substantial Completion. Contractor shall at the same time submit to Owner and Engineer an initial draft of punch list items to be completed or corrected before final payment.
- B. Promptly after Contractor's notification, Owner, Contractor, and Engineer shall make an inspection of the Work to determine the status of completion. If Engineer does not consider the Work substantially complete, Engineer will notify Contractor in writing giving the reasons therefor.
- C. If Engineer considers the Work substantially complete, Engineer will deliver to Owner a preliminary certificate of Substantial Completion which shall fix the date of Substantial Completion. Engineer shall attach to the certificate a punch list of items to be completed or corrected before final payment. Owner shall have seven days after receipt of the preliminary certificate during which to make written objection to Engineer as to any provisions of the certificate or attached punch list. If, after considering the objections to the provisions of the preliminary certificate, Engineer concludes that the Work is not substantially complete, Engineer will, within 14 days after submission of the preliminary certificate to Owner, notify Contractor in writing that the Work is not substantially complete, stating the reasons therefor. If Owner does not object to the provisions of the certificate, or if despite consideration of Owner's objections Engineer concludes that the Work is substantially complete, then Engineer will, within said 14 days, execute and deliver to Owner and Contractor a final certificate of Substantial Completion (with a revised punch list of items to be completed or corrected) reflecting such changes from the preliminary certificate as Engineer believes justified after consideration of any objections from Owner.
- D. At the time of receipt of the preliminary certificate of Substantial Completion, Owner and Contractor will confer regarding Owner's use or occupancy of the Work following Substantial Completion, review the builder's risk insurance policy with respect to the end of the builder's risk coverage, and confirm the transition to coverage of the Work under a permanent property insurance policy held by Owner. Unless Owner and Contractor agree otherwise in writing, Owner shall bear responsibility for security, operation, protection of the Work, property insurance, maintenance, heat, and utilities upon Owner's use or occupancy of the Work.

- E. After Substantial Completion the Contractor shall promptly begin work on the punch list of items to be completed or corrected prior to final payment. In appropriate cases Contractor may submit monthly Applications for Payment for completed punch list items, following the progress payment procedures set forth above.
- F. Owner shall have the right to exclude Contractor from the Site after the date of Substantial Completion subject to allowing Contractor reasonable access to remove its property and complete or correct items on the punch list.

#### 15.04 *Partial Use or Occupancy*

- A. Prior to Substantial Completion of all the Work, Owner may use or occupy any substantially completed part of the Work which has specifically been identified in the Contract Documents, or which Owner, Engineer, and Contractor agree constitutes a separately functioning and usable part of the Work that can be used by Owner for its intended purpose without significant interference with Contractor's performance of the remainder of the Work, subject to the following conditions:
  - 1. At any time Owner may request in writing that Contractor permit Owner to use or occupy any such part of the Work that Owner believes to be substantially complete. If and when Contractor agrees that such part of the Work is substantially complete, Contractor, Owner, and Engineer will follow the procedures of Paragraph 15.03.A through E for that part of the Work.
  - 2. At any time Contractor may notify Owner and Engineer in writing that Contractor considers any such part of the Work substantially complete and request Engineer to issue a certificate of Substantial Completion for that part of the Work.
  - 3. Within a reasonable time after either such request, Owner, Contractor, and Engineer shall make an inspection of that part of the Work to determine its status of completion. If Engineer does not consider that part of the Work to be substantially complete, Engineer will notify Owner and Contractor in writing giving the reasons therefor. If Engineer considers that part of the Work to be substantially complete, the provisions of Paragraph 15.03 will apply with respect to certification of Substantial Completion of that part of the Work and the division of responsibility in respect thereof and access thereto.
  - 4. No use or occupancy or separate operation of part of the Work may occur prior to compliance with the requirements of Paragraph 6.05 regarding builder's risk or other property insurance.

#### 15.05 *Final Inspection*

- A. Upon written notice from Contractor that the entire Work or an agreed portion thereof is complete, Engineer will promptly make a final inspection with Owner and Contractor and will notify Contractor in writing of all particulars in which this inspection reveals that the Work, or agreed portion thereof, is incomplete or defective. Contractor shall immediately take such measures as are necessary to complete such Work or remedy such deficiencies.

#### 15.06 *Final Payment*

- A. *Application for Payment:*
  - 1. After Contractor has, in the opinion of Engineer, satisfactorily completed all corrections identified during the final inspection and has delivered, in accordance with the Contract Documents, all maintenance and operating instructions, schedules, guarantees, bonds, certificates or other evidence of insurance, certificates of



inspection, annotated record documents (as provided in Paragraph 7.11), and other documents, Contractor may make application for final payment.

2. The final Application for Payment shall be accompanied (except as previously delivered) by:
  - a. all documentation called for in the Contract Documents;
  - b. consent of the surety, if any, to final payment;
  - c. satisfactory evidence that all title issues have been resolved such that title to all Work, materials, and equipment has passed to Owner free and clear of any Liens or other title defects, or will so pass upon final payment.
  - d. a list of all disputes that Contractor believes are unsettled; and
  - e. complete and legally effective releases or waivers (satisfactory to Owner) of all Lien rights arising out of the Work, and of Liens filed in connection with the Work.
3. In lieu of the releases or waivers of Liens specified in Paragraph 15.06.A.2 and as approved by Owner, Contractor may furnish receipts or releases in full and an affidavit of Contractor that: (a) the releases and receipts include all labor, services, material, and equipment for which a Lien could be filed; and (b) all payrolls, material and equipment bills, and other indebtedness connected with the Work for which Owner might in any way be responsible, or which might in any way result in liens or other burdens on Owner's property, have been paid or otherwise satisfied. If any Subcontractor or Supplier fails to furnish such a release or receipt in full, Contractor may furnish a bond or other collateral satisfactory to Owner to indemnify Owner against any Lien, or Owner at its option may issue joint checks payable to Contractor and specified Subcontractors and Suppliers.

**B. *Engineer's Review of Application and Acceptance:***

1. If, on the basis of Engineer's observation of the Work during construction and final inspection, and Engineer's review of the final Application for Payment and accompanying documentation as required by the Contract Documents, Engineer is satisfied that the Work has been completed and Contractor's other obligations under the Contract have been fulfilled, Engineer will, within ten days after receipt of the final Application for Payment, indicate in writing Engineer's recommendation of final payment and present the Application for Payment to Owner for payment. Such recommendation shall account for any set-offs against payment that are necessary in Engineer's opinion to protect Owner from loss for the reasons stated above with respect to progress payments. At the same time Engineer will also give written notice to Owner and Contractor that the Work is acceptable, subject to the provisions of Paragraph 15.07. Otherwise, Engineer will return the Application for Payment to Contractor, indicating in writing the reasons for refusing to recommend final payment, in which case Contractor shall make the necessary corrections and resubmit the Application for Payment.

**C. *Completion of Work:*** The Work is complete (subject to surviving obligations) when it is ready for final payment as established by the Engineer's written recommendation of final payment.

**D. *Payment Becomes Due:*** Thirty days after the presentation to Owner of the final Application for Payment and accompanying documentation, the amount recommended by Engineer (less any further sum Owner is entitled to set off against Engineer's recommendation,

including but not limited to set-offs for liquidated damages and set-offs allowed under the provisions above with respect to progress payments) will become due and shall be paid by Owner to Contractor.

#### 15.07 *Waiver of Claims*

- A. The making of final payment will not constitute a waiver by Owner of claims or rights against Contractor. Owner expressly reserves claims and rights arising from unsettled Liens, from defective Work appearing after final inspection pursuant to Paragraph 15.05, from Contractor's failure to comply with the Contract Documents or the terms of any special guarantees specified therein, from outstanding Claims by Owner, or from Contractor's continuing obligations under the Contract Documents.
- B. The acceptance of final payment by Contractor will constitute a waiver by Contractor of all claims and rights against Owner other than those pending matters that have been duly submitted or appealed under the provisions of Article 17.

#### 15.08 *Correction Period*

- A. If within one year after the date of Substantial Completion (or such longer period of time as may be prescribed by the terms of any applicable special guarantee required by the Contract Documents, or by any specific provision of the Contract Documents), any Work is found to be defective, or if the repair of any damages to the Site, adjacent areas that Contractor has arranged to use through construction easements or otherwise, and other adjacent areas used by Contractor as permitted by Laws and Regulations, is found to be defective, then Contractor shall promptly, without cost to Owner and in accordance with Owner's written instructions:
  - 1. correct the defective repairs to the Site or such other adjacent areas;
  - 2. correct such defective Work;
  - 3. if the defective Work has been rejected by Owner, remove it from the Project and replace it with Work that is not defective, and
  - 4. satisfactorily correct or repair or remove and replace any damage to other Work, to the work of others, or to other land or areas resulting therefrom.
- B. If Contractor does not promptly comply with the terms of Owner's written instructions, or in an emergency where delay would cause serious risk of loss or damage, Owner may have the defective Work corrected or repaired or may have the rejected Work removed and replaced. Contractor shall pay all claims, costs, losses, and damages (including but not limited to all fees and charges of engineers, architects, attorneys, and other professionals and all court or arbitration or other dispute resolution costs) arising out of or relating to such correction or repair or such removal and replacement (including but not limited to all costs of repair or replacement of work of others).
- C. In special circumstances where a particular item of equipment is placed in continuous service before Substantial Completion of all the Work, the correction period for that item may start to run from an earlier date if so provided in the Specifications.
- D. Where defective Work (and damage to other Work resulting therefrom) has been corrected or removed and replaced under this paragraph, the correction period hereunder with respect to such Work will be extended for an additional period of one year after such correction or removal and replacement has been satisfactorily completed.

- E. Contractor's obligations under this paragraph are in addition to all other obligations and warranties. The provisions of this paragraph shall not be construed as a substitute for, or a waiver of, the provisions of any applicable statute of limitation or repose.

## **ARTICLE 16 – SUSPENSION OF WORK AND TERMINATION**

### **16.01 *Owner May Suspend Work***

- A. At any time and without cause, Owner may suspend the Work or any portion thereof for a period of not more than 90 consecutive days by written notice to Contractor and Engineer. Such notice will fix the date on which Work will be resumed. Contractor shall resume the Work on the date so fixed. Contractor shall be entitled to an adjustment in the Contract Price or an extension of the Contract Times, or both, directly attributable to any such suspension. Any Change Proposal seeking such adjustments shall be submitted no later than 30 days after the date fixed for resumption of Work.

### **16.02 *Owner May Terminate for Cause***

- A. The occurrence of any one or more of the following events will constitute a default by Contractor and justify termination for cause:
  - 1. Contractor's persistent failure to perform the Work in accordance with the Contract Documents (including, but not limited to, failure to supply sufficient skilled workers or suitable materials or equipment or failure to adhere to the Progress Schedule);
  - 2. Failure of Contractor to perform or otherwise to comply with a material term of the Contract Documents;
  - 3. Contractor's disregard of Laws or Regulations of any public body having jurisdiction; or
  - 4. Contractor's repeated disregard of the authority of Owner or Engineer.
- B. If one or more of the events identified in Paragraph 16.02.A occurs, then after giving Contractor (and any surety) ten days written notice that Owner is considering a declaration that Contractor is in default and termination of the contract, Owner may proceed to:
  - 1. declare Contractor to be in default, and give Contractor (and any surety) notice that the Contract is terminated; and
  - 2. enforce the rights available to Owner under any applicable performance bond.
- C. Subject to the terms and operation of any applicable performance bond, if Owner has terminated the Contract for cause, Owner may exclude Contractor from the Site, take possession of the Work, incorporate in the Work all materials and equipment stored at the Site or for which Owner has paid Contractor but which are stored elsewhere, and complete the Work as Owner may deem expedient.
- D. Owner may not proceed with termination of the Contract under Paragraph 16.02.B if Contractor within seven days of receipt of notice of intent to terminate begins to correct its failure to perform and proceeds diligently to cure such failure.
- E. If Owner proceeds as provided in Paragraph 16.02.B, Contractor shall not be entitled to receive any further payment until the Work is completed. If the unpaid balance of the Contract Price exceeds the cost to complete the Work, including all related claims, costs, losses, and damages (including but not limited to all fees and charges of engineers, architects, attorneys, and other professionals) sustained by Owner, such excess will be paid to Contractor. If the cost to complete the Work including such related claims, costs, losses,

and damages exceeds such unpaid balance, Contractor shall pay the difference to Owner. Such claims, costs, losses, and damages incurred by Owner will be reviewed by Engineer as to their reasonableness and, when so approved by Engineer, incorporated in a Change Order. When exercising any rights or remedies under this paragraph, Owner shall not be required to obtain the lowest price for the Work performed.

- F. Where Contractor's services have been so terminated by Owner, the termination will not affect any rights or remedies of Owner against Contractor then existing or which may thereafter accrue, or any rights or remedies of Owner against Contractor or any surety under any payment bond or performance bond. Any retention or payment of money due Contractor by Owner will not release Contractor from liability.
- G. If and to the extent that Contractor has provided a performance bond under the provisions of Paragraph 6.01.A, the provisions of that bond shall govern over any inconsistent provisions of Paragraphs 16.02.B and 16.02.D.

#### 16.03 *Owner May Terminate For Convenience*

- A. Upon seven days written notice to Contractor and Engineer, Owner may, without cause and without prejudice to any other right or remedy of Owner, terminate the Contract. In such case, Contractor shall be paid for (without duplication of any items):
  - 1. completed and acceptable Work executed in accordance with the Contract Documents prior to the effective date of termination, including fair and reasonable sums for overhead and profit on such Work;
  - 2. expenses sustained prior to the effective date of termination in performing services and furnishing labor, materials, or equipment as required by the Contract Documents in connection with uncompleted Work, plus fair and reasonable sums for overhead and profit on such expenses; and
  - 3. other reasonable expenses directly attributable to termination, including costs incurred to prepare a termination for convenience cost proposal.
- B. Contractor shall not be paid on account of loss of anticipated overhead, profits, or revenue, or other economic loss arising out of or resulting from such termination.

#### 16.04 *Contractor May Stop Work or Terminate*

- A. If, through no act or fault of Contractor, (1) the Work is suspended for more than 90 consecutive days by Owner or under an order of court or other public authority, or (2) Engineer fails to act on any Application for Payment within 30 days after it is submitted, or (3) Owner fails for 30 days to pay Contractor any sum finally determined to be due, then Contractor may, upon seven days written notice to Owner and Engineer, and provided Owner or Engineer do not remedy such suspension or failure within that time, terminate the contract and recover from Owner payment on the same terms as provided in Paragraph 16.03.
- B. In lieu of terminating the Contract and without prejudice to any other right or remedy, if Engineer has failed to act on an Application for Payment within 30 days after it is submitted, or Owner has failed for 30 days to pay Contractor any sum finally determined to be due, Contractor may, seven days after written notice to Owner and Engineer, stop the Work until payment is made of all such amounts due Contractor, including interest thereon. The provisions of this paragraph are not intended to preclude Contractor from submitting a Change Proposal for an adjustment in Contract Price or Contract Times or otherwise for

expenses or damage directly attributable to Contractor's stopping the Work as permitted by this paragraph.

## **ARTICLE 17 – FINAL RESOLUTION OF DISPUTES**

### **17.01 *Methods and Procedures***

- A. *Disputes Subject to Final Resolution:* The following disputed matters are subject to final resolution under the provisions of this Article:
  - 1. A timely appeal of an approval in part and denial in part of a Claim, or of a denial in full; and
  - 2. Disputes between Owner and Contractor concerning the Work or obligations under the Contract Documents, and arising after final payment has been made.
- B. *Final Resolution of Disputes:* For any dispute subject to resolution under this Article, Owner or Contractor may:
  - 1. elect in writing to invoke the dispute resolution process provided for in the Supplementary Conditions; or
  - 2. agree with the other party to submit the dispute to another dispute resolution process; or
  - 3. if no dispute resolution process is provided for in the Supplementary Conditions or mutually agreed to, give written notice to the other party of the intent to submit the dispute to a court of competent jurisdiction.

## **ARTICLE 18 – MISCELLANEOUS**

### **18.01 *Giving Notice***

- A. Whenever any provision of the Contract Documents requires the giving of written notice, it will be deemed to have been validly given if:
  - 1. delivered in person, by a commercial courier service or otherwise, to the individual or to a member of the firm or to an officer of the corporation for which it is intended; or
  - 2. delivered at or sent by registered or certified mail, postage prepaid, to the last business address known to the sender of the notice.

### **18.02 *Computation of Times***

- A. When any period of time is referred to in the Contract by days, it will be computed to exclude the first and include the last day of such period. If the last day of any such period falls on a Saturday or Sunday or on a day made a legal holiday by the law of the applicable jurisdiction, such day will be omitted from the computation.

### **18.03 *Cumulative Remedies***

- A. The duties and obligations imposed by these General Conditions and the rights and remedies available hereunder to the parties hereto are in addition to, and are not to be construed in any way as a limitation of, any rights and remedies available to any or all of them which are otherwise imposed or available by Laws or Regulations, by special warranty or guarantee, or by other provisions of the Contract. The provisions of this paragraph will be as effective as if repeated specifically in the Contract Documents in connection with each particular duty, obligation, right, and remedy to which they apply.

18.04 *Limitation of Damages*

- A. With respect to any and all Change Proposals, Claims, disputes subject to final resolution, and other matters at issue, neither Owner nor Engineer, nor any of their officers, directors, members, partners, employees, agents, consultants, or subcontractors, shall be liable to Contractor for any claims, costs, losses, or damages sustained by Contractor on or in connection with any other project or anticipated project.

18.05 *No Waiver*

- A. A party's non-enforcement of any provision shall not constitute a waiver of that provision, nor shall it affect the enforceability of that provision or of the remainder of this Contract.

18.06 *Survival of Obligations*

- A. All representations, indemnifications, warranties, and guarantees made in, required by, or given in accordance with the Contract, as well as all continuing obligations indicated in the Contract, will survive final payment, completion, and acceptance of the Work or termination or completion of the Contract or termination of the services of Contractor.

18.07 *Controlling Law*

- A. This Contract is to be governed by the law of the state in which the Project is located.

18.08 *Headings*

- A. Article and paragraph headings are inserted for convenience only and do not constitute parts of these General Conditions.



SECTION 00810

SUPPLEMENTAL CONDITIONS

Unless otherwise noted, all paragraphs are additive to similarly numbered paragraphs in SECTION 00700 – GENERAL CONDITIONS. These Supplementary Conditions amend or supplement the Standard General Conditions of the Construction Contract (EJCDC C-700, 2013, Rev1 Edition) and other provisions of the Contract Documents as indicated below. All provisions which are not so amended or supplemented remain in full force and effect.

The terms used in these Supplementary Conditions have the meanings indicated in the General Conditions. Additional terms used in these Supplementary Conditions have the meanings indicated below, which are applicable to both the singular and plural thereof.

PART I AMENDMENTS TO GENERAL CONDITIONS

Article No.

- |      |  |
|------|--|
| 1.0  | DEFINITIONS AND TERMINOLOGY  |
| 2.0  | PRELIMINARY MATTERS  |
| 3.0  | DOCUMENTS: INTENT, REQUIREMENTS AND REUSE  |
| 4.0  | COMMENCEMENT AND PROGRESS OF WORK  |
| 5.0  | AVAILABILITY OF LANDS; SUBSURFACE AND PHYSICAL CONDITIONS;<br>HAZARDOUS ENVIRONMENTAL CONDITIONS |
| 6.0  | BONDS AND INSURANCE  |
| 7.0  | CONTRACTOR'S RESPONSIBILITIES  |
| 8.0  | OTHER WORK AT THE SITE   |
| 9.0  | OWNERS RESPONSIBILITIES  |
| 10.0 | ENGINEER'S STATUS DURING CONSTRUCTION  |
| 11.0 | AMMENDING CONTRACT DOCUMENTS: CHANGES IN WORK  |
| 12.0 | CLAIMS   |
| 13.0 | COST OF WORK:ALLOWANCES: UNIT PRICE WORK   |
| 14.0 | TEST AND INSPECTIONS   |
| 15.0 | PAYMENTS TO CONTRACTOR   |
| 16.0 | SUSPENSION OF WORK AND TERMINATION   |
| 17.0 | FINAL RESOLUTION OF DISPUTES   |
| 18.0 | MISCELLANEOUS  |

PART II ADDITIONS TO GENERAL CONDITIONS

PART III STATE AND FEDERAL GOVERNMENT PROVISIONS

PART I AMENDMENTS TO GENERAL CONDITIONS



1.0 DEFINITIONS AND TERMINOLOGY

- A. The following language shall be added at the beginning of the definition entitled “Contract Documents” in the General Conditions (1.01.A.13).

“The Invitation to Bid, Instructions to Bidders”

- B. 1.01.A.18, Add the words “or plans” after the word “drawings in the first line of the definition entitled “Drawings” in the General Conditions.

- C. 1.01.A.38, Delete the definition of Specifications in the General Conditions in its entirety and add the following in its place:

“Sections included under Division 1 through Division 16 of the Contract Documents”

- D. 1.01.A.40 The definition of Substantial Completion shall be deleted in the General Conditions in its entirety and add the following in its place:

Substantial completion shall mean either that the work required by the Contract has been completed except for work having a contract price of less than one percent of the then adjusted total contract price, or substantially all of the work has been completed and opened to Owner’s use except for minor incomplete or unsatisfactory work items that do not materially impair the usefulness of the work required by the Contract.

- E. The following new definitions shall be added at the end of Article 1 of the General Conditions:

Conditions of the Contract–The combined General Conditions and Supplementary Conditions.

Site – The specific area adjacent to and including the area upon which the construction work is performed.

2.0 PRELIMINARY MATTERS

- A. Delete paragraph 2.03A in its entirety and insert in its place:

2.03. A: Contract time will commence on the date specified in the Notice to Proceed.

3.0 DOCUMENTS: INTENT, REQUIREMENTS AND REUSE

Four paragraphs shall be added immediately after paragraph 3.01.E of the General Conditions which is to read as follows:

3.01.F. Each and every provision of law and clause required by law to be inserted in these Contract Documents shall be deemed to be inserted herein, and they shall be read and enforced as though it were included herein, and if through mistake or otherwise, any such provision is not inserted, or if not correctly inserted, then upon the application of either party, the Contract Documents shall forthwith be physically amended to make such insertion.

3.01.G. Contract Documents shall forthwith be physically amended to make such insertion.

3.01.H. In case of any discrepancy between these Conditions of the Contract and any Federal Government provisions, the Federal Government provision shall prevail.

3.01.I. In case of any discrepancy between these between these Conditions of the Contract and any Commonwealth of Massachusetts provisions, the Commonwealth of Massachusetts provision shall prevail.

3.01.J In the event of conflicts, inconsistencies or discrepancies among the Contract Documents, to the extent applicable, the better quality or greater quantity of work shall be provided without change to the Contract Price. In the event of such conflicts, inconsistencies or discrepancies which do not relate to the quality or quantity of work, the Contractor shall request clarifications or interpretations from the Engineer as provided in Article 10.

5.0 AVAILABILITY OF LANDS; SUBSURFACE AND PHYSICAL CONDITIONS; HAZARDOUS ENVIRONMENTAL CONDITIONS

A. A new paragraph shall be added immediately after paragraph 5.01.C of the General Conditions which is to read as follows:

D. If all lands and rights-of-way are not obtained as herein contemplated before construction begins, the Contractor shall begin the work upon such land and rights-of-way as the Owner has previously acquired and no claim for damages whatsoever will be allowed by reason of the delay in obtaining the remaining lands and rights-of-way. Should the Owner be prevented or enjoined from proceeding with the work, or from authorizing its prosecution, either before or after the commencement, by reason of any litigation, or by reason of its inability to procure any lands or rights-of-way for work, Contractor shall not be entitled to make or assert claim for the damage by reason of said delay, or to withdraw from the Agreement except by consent of the Owner. Time for

completion of the work will be extended as provided in Article 11, to such time as the Owner determines will compensate for the time lost by such delay.

- B. A new paragraph shall be added immediately after paragraph 5.03.B of the General Conditions which is to read as follows (if borings performed):

5.03.C. The Engineer has relied upon the data obtained from subsurface investigations made at the site in the form of test borings and probes. Such data is in the form of logs which are included in the Section 00220 and soil samples which may be examined at the Engineer's office during regular business hours. The locations of the test borings and probes are indicated on the Drawings. Such logs and samples are not part of the Contract Documents.

- C. Two new paragraphs shall be added immediately after paragraph 5.05.E of the General Conditions which is to read as follows:

5.05.F. Information on Drawings and any statements of the Contract Documents referring to the conditions under which the work is to be performed or the existence of utilities or other underground structures are not guaranteed to be correct or to be complete representation of all existing data with reference to conditions affecting the work. Efforts have been made however, to make this information complete and accurate on the basis of all data and information which could be procured by Engineer. If, in the opinion of Engineer, permanent relocation of a utility not otherwise provided for, is required, he shall direct the Contractor, in writing, to perform the work. Work, so directed, will be paid as provided in Article 11 of the General Conditions.

5.05.G. Adjustments resulting from subsurface or latent physical conditions will be in accordance with Massachusetts General Law, Chapter 30, Section 39N.

6.0 BONDS AND INSURANCE CONTRACTOR'S (AND SUBCONTRACTOR'S) PUBLIC LIABILITY, PROPERTY DAMAGE AND VEHICLE LIABILITY INSURANCE

The following shall be added to 6.0.

- A. The liability limits for the insurance required by the General Conditions shall provide coverage for not less than the following amounts or greater where required by law:

The Contractor shall purchase and maintain such insurance as will protect him for claims set forth herein which may arise out of or result from the Contractor's operations be by himself or by any subcontractor or by anyone directly or indirectly employed by any of them, or by anyone for whose acts any of them are liable.

1. Claims under workman's compensation, disability benefit and other similar employee benefit and other similar employee benefit acts;

2. Claims for damages because of bodily injury, occupational sickness or disease, or death of his employees;
3. Claims for damages because of bodily injury, sickness or disease, or death of any person other than his employees;
4. Claims for damages insured by usual personal injury liability coverage which are sustained (1) by any person as a result of an offense directly or indirectly related to the employment of such person by the Contractor, or (2) by any other person; and
5. Claims for damages because of injury to or destruction of tangible property, including loss of use resulting therefrom.

B. The required insurance shall be written for not less than the following limits of liability, or as required by law, whichever is greater.

The work shall be entirely at the contractor's risk until the same is fully completed and accepted, and he will be held liable to the amount of the City's interest in the same as shown by payments account.

The contractor shall, during the progress of the work, maintain insurance on all work included in the contract until the final or conditional acceptance of the work. **The City shall be named as an additional insured on all insurance.** Failure to provide and continue in force such insurance as specified shall be deemed a material breach of the contract and shall operate as an immediate termination thereof.

A contractor shall not commence work under any contract until he has obtained all insurance required, nor shall the contractor allow any subcontractor to commence work on a sub-contract until all similar insurance required has been obtained.

1. Workmen's Compensation Insurance

The contractor will maintain, during the life of the contract, the statutory Worker's Compensation and Employer's Liability for all employees to be engaged in work on the project under the contract and in case any such work is sublet. The contract shall require the sub-contractor similarly to provide Worker's Compensation and Employer's Liability Insurance for all employees engaged in the project.

2. Automobile Bodily Injury and Property Damage

There shall be provided insurance for not less than \$1,000,000 for injuries, including wrongful death, to any one person, \$3,000,000 aggregate. Any one accident shall be covered to a limit of \$1,000,000 bodily injury each

occurrence, \$3,000,000 aggregate. There shall be property damage insurance provided to the amount of \$1,000,000 on account of any one accident and included owned, hired and non-owned automobiles.

3. Comprehensive General Liability

The contractor shall purchase and maintain such insurance as required to protect the owner's interest for the duration of the contract and until acceptance of the work.

Comprehensive General Liability Coverage covering bodily injury and property damage with limits of \$1,000,000 each occurrence, \$3,000,000 aggregate, shall include coverage for premises, operations XCU included, products completed operations, contractual insurance, brand form property damage, independent contractor's personal injury coverages.

4. Property Coverage

For materials and supplies being transported by the contractor.

5. Umbrella Liability

\$3,000,000/occurrence, \$3,000,000 aggregate.

C. The Contractor shall procure and maintain Owner's Protective Liability Insurance as herein specified.

6. In addition to the Owner the Engineer shall be named as an inseree under the Owner's Protective Liability Insurance.

7. Said policy shall provide that the coverage afforded thereby, shall be primary coverage to the full limit of liability state in the declarations, and if said Owner and its officers, agents and employees or the Engineer have other insurance against the loss covered by said policy, that other insurance shall be excess insurance only.

8. The original and one certified copy of the policy specified shall be forwarded to the Engineer for the Owner prior to commencement of any work.

9. The limits of Owner's Protective Liability Insurance shall be not less than One Million Dollars (\$1,000,000) on account of any one accident and Three Million Dollars (\$3,000,000) on account of all accidents.

D. The Contractor's and Subcontractor's insurance shall provide adequate protection against the following special hazards:

1. Blasting or explosion

2. Collapse of trench walls and underground damage
  3. Use of all equipment and tools
- E. The Contractor shall not commence work under this Contract until he has obtained all insurance required hereunder and such insurance has been approved by the Owner, nor shall the Contractor allow any subcontractor to commence work on his subcontract until all insurance required of subcontractor has been so obtained and approved. Approval of insurance required under this article shall be kept in force during the life of the Contract.
1. Certificates in triplicate of all General Contractor's policies specified shall be filed with the Engineer for the Owner. Any certificates filed with the Engineer which shall be found to be incomplete or not according to form will be returned as unsatisfactory. Rejected certificates of insurance and copies of policies shall be corrected as necessary and resubmitted until approved.
- F. Each and every policy shall contain an endorsement stating that the Insurance Company will to, prior to completion of project or any policy expiration date shown on policy and certificate, whichever occurs first, terminate policy or change any coverage therein without first mailing by registered mail, written notice of such action at least fifteen (15) days prior to termination or change, to Owner at whose request policy and certificates are issued.
- G. Delete paragraph 6.05 of the General Conditions in its entirety.
- H. Delete paragraph 6.06 of the General Conditions in its entirety.
- I. Delete paragraph 6.07 of the General Conditions in its entirety.
- J. The following new paragraphs shall be added immediately after paragraph 6.07 of the General Conditions which is to read as follows:
- 6.08. The Contractor may purchase and maintain excess liability insurance in the umbrella form in order to satisfy the limits of liability required for the insurance to be purchased and maintained in accordance with the general conditions in the form of a certificate indicating the policy numbers and limits of liability of all underlying insurance. The umbrella liability insurance shall have a combined single limit of not less than \$3,000,000. Such insurance shall contain a provision that the coverage afforded will not be cancelled or materially changed until at least thirty days prior written notice has been given to Owner.
- 6.09. If the aggregate limits of liability indicated in the Contractor's insurance provided in accordance with above limits is not sufficient to cover all claims for damages arising from his operations under this contract and from any other work performed by him or if policies of insurance do not provide that the aggregate limits of liability for bodily injury and property damage apply to each

contract or project separately, Contractor shall have such policies amended so that the aggregate limits of liability required by this Contract will be available to cover all claims for damages due to operations under this Contract.

#### 6.10 PROOF OF CARRIAGE OF INSURANCE

Policies shall contain a clause automatically extending date of expiration to coincide with any extended date of completion granted under the Contract.

#### 6.11 OWNER'S PROTECTIVE LIABILITY INSURANCE

The Engineer shall be named as an insuree under the Owner's Protective Liability Insurance.

Said policy shall provide that the coverage afforded thereby shall provide that the coverage afforded thereby shall be primary coverage to the full limit of liability stated in the declarations, and if said Owner and its officers, agents and employees or the Engineer have other insurance against the loss covered by said policy, that other insurance shall be excess insurance only.

### CONTRACTOR'S RESPONSIBILITIES

- A. The following new paragraphs shall be inserted immediately after paragraph 7.02.B of the General Conditions.
- C. This Agreement is subject to the applicable provisions of the Contract Work Hours and Safety Standards Act, Public Law 87-581, 87<sup>th</sup> Congress. No Contractor or subcontractor contracting for any part of the work shall require or permit any laborer or mechanic to be employed on the work in excess of eight hours in any calendar day or in excess of forty hours in any work week unless such laborer or mechanic receives compensation at a rate not less than one and one-half times his basic rate of pay for all hours worked in excess of eight hours in any calendar day or in excess of forty hours in such work week, as the case may be.
- D. Except as may be otherwise required by law, all claims and disputes pertaining to the classification of labor employed on the project under this Contract shall be decided by the Owner's governing body or other duly designated official.
- E. The Contractor shall employ only competent men to do the work and whenever the Owner shall notify Contractor, in writing, that any man on the work appears to be incompetent, unfaithful, disorderly, or otherwise unsatisfactory, such man shall be removed from the project and shall not again be employed on it except with the consent of the Owner.
- F. The Contractor and all subcontractors shall, insofar as practicable, give preference in the hiring of workers for the project to qualified local residents

with first preference being given to citizens of the United States who have served in the armed forces of the United States and have been honorably discharged therefrom or released from active duty therein.

G. The Contractor and all subcontractors shall pay to all laborers and mechanics employed for the construction covered by this contract the minimum rates of pay as determined by the Secretary of Labor in accordance with the Act of March 3, 1931, as amended, known as the Davis-Bacon Act (40 U.S.C. 276a through 276a-7). Furthermore, the Contractor and subcontractors shall adhere to the stipulations and provisions published by the Secretary of Health, Education, and Welfare in "Labor Standards (Federal Water Pollution Control Act)". The Wage Rate Schedule as prepared by the Secretary of Labor and the "Labor Standards" are part of this Contract and are included in Part II of these Supplementary Conditions.

H. The Contractor and all subcontractors shall comply with the Regulations of the Secretary of Labor made pursuant to the Anti-Kickback Act of June 30, 1940 (40 U.S.C. 276c) and all amendments or modifications thereto. The Contractor and all subcontractors shall furnish the Owner with weekly Statements of Compliance. In case of subcontracts, the Contractor shall cause appropriate provision to be inserted in all subcontracts for the work which he may let to insure compliance with said Anti-Kickback Act by all subcontractors subject thereto, and Contractor shall be responsible for the submission of all Statements of Compliance required by subcontractors by said Anti-Kickback Act except as the Secretary of Labor may specifically provide for reasonable limitations, variations, and exemptions from the requirements thereof. These Regulations are part of this Contract and are included in Part II of these Supplemental Conditions.

- B. Paragraph 7.06.A of the General Conditions shall be deleted in its entirety and insert the following in its place:

7.06.A The Contractor shall not employ any subcontractor, supplier or other person or organization, (including those who are to furnish the principal items of materials or equipment), whether initially or as a substitute, against whom Owner or Engineer may have reasonable objection. Acceptance of any subcontractor, other person or organization by the Owner shall not constitute a waiver of any right of Owner to reject defective work. The Contractor shall not be required to employ any subcontractor, other person or organization against whom the Contractor has reasonable objection.

- C. The following language shall be added at the end of paragraph 7.09 of the General Conditions:

7.09.B. Except as required otherwise by Massachusetts General Law Chapter 149, Section 44F.



The materials and supplies to be used in the work of this contract are exempt from the Sales and Use Tax of the Commonwealth of Massachusetts. The Contractor shall obtain the proper certificates, maintain the necessary records and otherwise comply with the requirements of Chapter 14 of the Acts of 1966 and any amendments thereto.

- F. The following language shall be added at the end of paragraph 7.12.G of the General Conditions:

7.12H. In the event of temporary suspension of the work, or during inclement weather, or whenever the Engineer may direct; the Contractor shall, and shall cause Subcontractors, to protect carefully the work and materials against damage or injury from the weather. If, in the opinion of the Engineer, any portion of work or materials shall have been damaged or injured by reason of failure on the part of the Contractor or any subcontractors to so protect the work, such work and materials shall be removed and replaced at the expense of the Contractor.

- J. A new paragraph shall be added immediately after paragraph 7.19.E of the General Conditions which is to read as follow:

7.19.F The Contractor shall comply with all applicable provisions of Chapter 30, Section 39R of the Massachusetts General Laws regarding Contractor's records. This requirement primarily provides for the Contractor to maintain for at least six years after final payment books, records, and accounts in reasonable detail, available for examination. This requirement further provides for the Contractor to document and submit descriptions and reasons for any changes in record keeping methods, and to prepare and submit annual financial statements.

## 10.0 ENGINEER'S STATUS DURING CONSTRUCTION

A new paragraph shall be added immediately after paragraph 10.09 of the General Conditions which is to read as follows:

10.10 The Engineer's interpretations will be made in accordance with Massachusetts General Law Chapter 30, Section 39P which is included in Part II of the ADDITIONAL ARTICLES.

## 15.0 PAYMENTS TO CONTRACTORS AND COMPLETION

A new Paragraph 15.09 of the General Conditions shall be added after 15.08.

15.09 Progress Payments will be made in accordance with Massachusetts General Law, Chapter 30, Section 39G. Retainage shall be 5%, in accordance with M.G.L., Chapter 30, Section 39G.

15.10. If, after 60 days following submission of a monthly payment estimate for pipe and fitting items, the pipe and fittings for which payment is requested has not been successfully tested, the Owner may withhold up to 10% of the amount requested for such pipe and fitting items until the pipe has been so tested, however, in the case of a major (pipe diameter 24 inches or greater) pipe and fitting installation, sums retained by the Owner pursuant to this paragraph shall not exceed two percent (2%) of the costs of such pipe items. This retainage shall be in addition to any other retainage required by this Contract.

The Contractor shall make payments to subcontractors in accordance with Massachusetts General Law, Chapter 30, Section 39F which is included in ADDITIONAL ARTICLES.

15.11. If, on the basis of the Engineer's observation of the work during construction and final inspection, and Engineer's review of the final Application for Payment and accompanying documentation – all as required by the Contract Documents, Engineer is satisfied that the work has been completed and the Contractor's other obligations under the Contract Documents have been fulfilled, the Engineer will indicate in writing his recommendation of payment and present the Application to the Owner for payment. Thereupon the Engineer will give written notice to the Owner and the Contractor that the work is acceptable subject to the provisions of paragraph 14.16. Otherwise, the Engineer will return the Application to the Contractor, indicating in writing the reasons for refusing to recommend final payment, in which case the Contractor shall make the necessary corrections and resubmit the Application. If the Applications and accompanying documentation are appropriate as to form and substance, Owner shall in accordance with the applicable Massachusetts General Law, pay Contractor the amount recommended by Engineer.

15.12. Final payment will be reduced by excessive costs of plant inspection of pipe; the Contractor shall have no claim thereto. Excessive inspection costs are defined as the costs of inspection of that amount of pipe which exceeds 125 percent of the aggregate length of each type installed.

## 16.0 SUSPENSION OF WORK AND TERMINATION

Paragraph 16.01 of the General Conditions shall be deleted in its entirety and insert the following in its place:

16.01. The Owner may order, at any time and without cause, suspension of the work in accordance with Massachusetts General Law, Chapter 30, Section 39O.

## 17.0 DISPUTE AND RESOLUTION

Article 17 of the General Conditions shall be deleted in its entirety.

## MISCELLANEOUS

A new paragraph shall be added immediately after paragraph 18.08 of the General Conditions which is to read as follows:

18.09. Both the address given in the Bid Form upon which this Agreement is founded, and the Contractor's office at or near the site of the work are hereby designated as places to either of which notices, letters, and other communications to the Contractor shall be certified, mailed, or delivered. The delivering at the above named place, or depositing in a postpaid wrapper directed to the first-named place, in any post office box regularly maintained by the post office department, if any notice, letter or other communication to the Contractor shall be deemed sufficient service thereof upon the Contractor: and the date of said service shall be the date of such delivery or mailing. The first-named address may be changed at any time by an instrument in writing, executed and acknowledged by the Contractor, and delivered to the Owner and shall be deemed to preclude or render inoperative the service of any notice, letter, or other communications upon the Contractor personally.

## WAGE RATES

The following 4 new paragraphs shall be added immediately after paragraph 18.09 of the General Conditions:

18.10. The requirements and provisions of all applicable laws and any amendments thereof or additions thereto as to the employment of labor, and to the schedule of minimum wage rates established in compliance with laws shall be part of these Contract Documents. Copies of the wage schedule are included in Section 00820. If, after the Notice of Award, it becomes necessary to employ any person in a trade or occupation not classified in the wage determinations, such approved minimum rate shall be paid at not less than such rates as shall be determined by the officials administering the laws mentioned above. Such approved minimum rate shall be retroactive to the time of the initial employment of such person in such trade or occupation. The Contractor shall notify the Owner of his intention to employ persons in trades or occupations not classified in sufficient time for Owner to obtain approved rates for such trades or occupations.

- A. The schedules of wages referred to above are minimum rates only, and the Owner will not consider any claims for additional compensations made by the Contractor of any wage rate in excess of the applicable rate contained in these Contract Documents. All disputes in regard to the payment of wages in excess of these specified in the schedules shall be adjusted by Contractor.
- B. The said schedules of wages shall continue to be the minimum rates to be paid during the life of this Agreement and a legible copy of said schedules shall be kept posted in a conspicuous place at the site of the

work. Minimum Wage Rates as determined by the Commissioner of the Department of Labor and Industries, apply to this project. It is the responsibility of the Contractor, before bid opening, to request if necessary, any additional information on Minimum Wage Rates for those trades people who are not covered by this schedule of wage rates, but who may be employed for the proposed work under this Contract.

- C. State schedules of minimum wage rates are included in Section 00820 – ADDITIONAL ARTICLES. Where rates differ, the higher rates shall apply as a minimum for that trade.

PART 2 ADDITIONS TO GENERAL CONDITIONS

None this Contract

PART 3 STATE AND FEDERAL GOVERNMENT PROVISIONS

State and Federal Government Provisions are included in Section 00820 and selected from those to which specific references have been made elsewhere in the Contract Documents. Each and every other provision of law or clause required by law to be inserted in this Contract shall be deemed to be also inserted in herein.

- 1.0. COMMONWEALTH OF MASSACHUSETTS AND FEDERAL PROVISIONS
- 1.1. The Owner and Contractor agree that the following Commonwealth of Massachusetts and Federal Provisions apply to the Work to be performed under this Contract and that these provisions of this Contract and that these provisions supersede any conflicting provisions of this Contract.
- 1.2. Supplemental Equal Employment Opportunity Anti-Discrimination and Affirmative Action Program.
- 1.3. Massachusetts General Laws
  - 1.3.1. Chapter 30, Section 39F
  - 1.3.2. Chapter 30, Section 39G
  - 1.3.3. Chapter 30, Section 39M
  - 1.3.4. Chapter 30, Section 39N
  - 1.3.5. Chapter 30, Section 39O
  - 1.3.6. Chapter 30, Section 39P
  - 1.3.7. Chapter 30, Section 39R
  - 1.3.8. Acts of 1983 Chapter 353
- 1.4. All documents in section 00500 – Agreement and additional Contract Documents

END OF SECTION



DOCUMENT 00811  
SPECIAL PROVISIONS  
MONTHLY PRICE ADJUSTMENT FOR HOT MIX ASPHALT (HMA) MIXTURES  
ENGLISH AND METRIC UNITS  
Revised: 07/08/2016

This provision applies to all projects using greater than 100 tons (91 megagrams) of hot mix asphalt (HMA) mixtures containing liquid asphalt cement as stipulated in the Notice to Contractors section of the bid documents.

Price Adjustments will be based on the variance in price, for the liquid asphalt component only, between the Base Price and the Period Price. They shall not include transportation or other charges. Price Adjustments will occur on a monthly basis.

**Base Price**

The Base Price of liquid asphalt on a project as listed in the Notice to Contractors section of the bid documents is a fixed price determined by the Department at the time of the bid using the same method as the determination of the Period Price detailed below. The Base Price shall be used in all bids.

**Period Price**

The Period Price is the price of liquid asphalt for each monthly period as determined by the Department using the average selling price per standard ton of PG64-28 paving grade (primary binder classification) asphalt, FOB manufacturer's terminal, as listed under the "East Coast Market - New England, Boston, Massachusetts area" section of the Poten & Partners, Inc. "Asphalt Weekly Monitor". This average selling price is listed in the issue having a publication date of the second Friday of the month and will be posted as the Period Price for that month. The Department will post this Period Price on its website at <http://www.mhd.state.ma.us/> within two (2) business days following its receipt of the relevant issue of the "Asphalt Weekly Monitor". Poten and Partners has granted the Department the right to publish this specific asphalt price information sourced from the Asphalt Weekly Monitor. This method of period price determination was formerly called the New Asphalt Period Price Method. Separate website postings using both the New Asphalt Period Price Method and the Old Asphalt Period Price Method were discontinued after June 2013.

**Price Adjustment Determination, Calculation and Payment**

The Contract Price of the HMA mixture will be paid under the respective item in the Contract. Price Adjustments, as herein provided, either upwards or downwards, will be made after the work has been performed using the monthly period price for the month during which the work was performed.

Price Adjustments will be paid only if the variance from the Base Price is 5% or more for a monthly period. The complete adjustment will be paid in all cases with no deduction of the 5% from either upward or downward adjustments.

The Price Adjustment applies only to the actual virgin liquid asphalt content in the mixture placed on the job in accordance with the Standard Specifications for Highways and Bridges, Division III, Section M3.11.03.

Price Adjustments will be separate payment items. The pay item numbers are 999.401 for a positive price adjustment (a payment) and 999.402 for a negative price adjustment (a deduction). Price Adjustments will be calculated using the following equation:

Price Adjustment = Tons of HMA Placed X Liquid Asphalt Content % X RAP Factor X (Period Price - Base Price)

No Price Adjustment will be allowed beyond the Completion Date of this Contract, unless there is a Department-approved extension of time.

\*\*\*\*\* END OF DOCUMENT \*\*\*\*\*

DOCUMENT 00812

SPECIAL PROVISIONS  
MONTHLY PRICE ADJUSTMENT FOR DIESEL FUEL AND GASOLINE –  
ENGLISH UNITS

Revised: 01/26/2009

This monthly fuel price adjustment is inserted in this contract because the national and worldwide energy situation has made the future cost of fuel unpredictable. This adjustment will provide for either additional compensation to the Contractor or repayment to the Commonwealth, depending on an increase or decrease in the average price of diesel fuel or gasoline.

This adjustment will be based on fuel usage factors for various items of work developed by the Highway Research Board in Circular 158, dated July 1974. These factors will be multiplied by the quantities of work done in each item during each monthly period and further multiplied by the variance in price from the Base Price to the Period Price.

The Base Price of Diesel Fuel and Gasoline will be the price as indicated in the Department's web site ([www.mhd.state.ma.us](http://www.mhd.state.ma.us)) for the month in which the contract was bid, which includes State Tax.

The Period Price will be the average of prices charged to the State, including State Tax for the bulk purchases made during each month.

This adjustment will be effected only if the variance from the Base Price is 5% or more for a monthly period. The complete adjustment will be paid in all cases with no deduction of the 5% from either upward or downward adjustments.

No adjustment will be paid for work done beyond the extended completion date of any contract.

Any adjustment (increase or decrease) to estimated quantities made to each item at the time of final payment will have the fuel price adjustment figured at the average period price for the entire term of the project for the difference of quantity.

The fuel price adjustment will apply only to the following items of work at the fuel factors shown:

ITEMS COVERED	FUEL FACTORS	
	Diesel	Gasoline
Excavation: and Borrow Work: Items 120, 120.1, 121, 123, 124, 125, 127, 129.3, 140, 140.1, 141, 142, 143, 144., 150, 150.1, 151 and 151.1 (Both Factors used)	0.29 Gallons / CY.	0.15 Gallons / CY
Surfacing Work: All Items containing Hot Mix Asphalt	2.90 Gallons / Ton	Does Not Apply

\*\*\*\*\* END OF DOCUMENT \*\*\*\*\*

## DOCUMENT 00813

## SPECIAL PROVISIONS

## PRICE ADJUSTMENTS FOR STRUCTURAL STEEL AND REINFORCING STEEL

October 11, 2018

This special provision applies to all projects containing the use of structural steel and/or reinforcing steel as specified elsewhere in the Contract work. It applies to all structural steel and all reinforcing steel, as defined below, on the project. Compliance with this provision is mandatory, i.e., there are no “opt-in” or “opt-out” clauses. Price adjustments will be handled as described below and shall only apply to unfabricated reinforcing steel bars and unfabricated structural steel material, consisting of rolled shapes, plate steel, sheet piling, pipe piles, steel castings and steel forgings, and.

Price adjustments will be variances between Base Prices and Period Prices. Base Prices and Period Prices are defined below.

Price adjustments will only be made if the variances between Base Prices and Period Prices are 5% or more. A variance can result in the Period Price being either higher or lower than the Base Price. Once the 5% threshold has been achieved, the adjustment will apply to the full variance between the Base Price and the Period Price.

Price adjustments will be calculated by multiplying the number of pounds of unfabricated structural steel material or unfabricated reinforcing steel bars on a project by the index factor calculated as shown below under Example of a Period Price Calculation.

Price adjustments will *not* include guardrail panels or the costs of shop drawing preparation, handling, fabrication, coatings, transportation, storage, installation, profit, overhead, fuel costs, fuel surcharges, or other such charges not related to the cost of the unfabricated structural steel and unfabricated reinforcing steel.

The weight of steel subject to a price adjustment shall not exceed the final shipping weight of the fabricated part by more than 10%.

Base Prices and Period Prices are defined as follows:

Base Prices of unfabricated structural steel and unfabricated reinforcing steel on a project are fixed prices determined by the Department and found in the table below. While it is the intention of the Department to make this table comprehensive, some of a project’s unfabricated structural steel and/or unfabricated reinforcing steel may be inadvertently omitted. Should this occur, the Contractor shall bring the omission to the Department’s attention so that a contract alteration may be processed that adds the missing steel to the table and its price adjustments to the Contract.

The Base Price Date is the month and year in which MassDOT opened bids for the project. This date is used to select the Base Price Index.

Period Prices of unfabricated structural steel and unfabricated reinforcing steel on a project are variable prices that have been calculated using the Period Price Date and an index of steel prices to adjust the Base Price.

The Period Price Date is the date the steel was delivered to the fabricator as evidenced by an official bill of lading submitted to the Department containing a description of the shipped materials, weights of the shipped materials and the date of shipment. This date is used to select the Period Price Index.

The index used for the calculation of Period Prices is the U.S. Department of Labor Bureau of Labor Statistics Producer Price Index (PPI) Series ID WPU101702 (Not Seasonally Adjusted, Group: Metals and Metal Products, Item: Semi-finished Steel Mill Products.) As this index is subject to revision for a period of up to four (4) months after its original publication, no price adjustments will be made until the index for the period is finalized, i.e., the index is no longer suffixed with a “(P)”.



Period Prices are determined as follows:

Period Price = Base Price X Index Factor

Index Factor = Period Price Index / Base Price Index

Example of a Period Price Calculation:

Calculate the Period Price for December 2009 using a Base Price from March 2009 of \$0.82/Pound for 1,000 Pounds of ASTM A709 (AASHTO M270) Grade A36 Structural Steel Plate.

The Period Price Date is December 2009. From the PPI website\*, the Period Price Index = 218.0.

The Base Price Date is March 2009. From the PPI website\*, the Base Price Index = 229.4.

Index Factor = Period Price Index / Base Price Index = 218.0 / 229.4 = 0.950

Period Price = Base Price X Index Factor = \$0.82/Pound X 0.950 = \$0.78/Pound

Since \$0.82 - \$0.78 = \$0.04 is less than 5% of \$0.82, no price adjustment is required.

If the \$0.04 difference shown above was greater than 5% of the Base Price, then the price adjustment would be 1,000 Pounds X \$0.04/Pound = \$40.00. Since the Period Price of \$0.78/Pound is less than the Base Price of \$0.82/Pound, indicating a drop in the price of steel between the bid and the delivery of material, a credit of \$40.00 would be owed to MassDOT. When the Period Price is higher than the Base Price, the price adjustment is owed to the Contractor.

\* To access the PPI website and obtain a Base Price Index or a Period Price Index, go to <http://data.bls.gov/cgi-bin/srgate>

End of example.

The Contractor will be paid for unfabricated structural steel and unfabricated reinforcing steel under the respective contract pay items for all components constructed of either structural steel or reinforced Portland cement concrete under their respective Contract Pay Items.

Price adjustments, as herein provided for, will be paid separately as follows:

Structural Steel

Pay Item Number 999.449 for positive (+) pay adjustments (payments to the Contractor)

Pay Item Number 999.457 for negative (-) pay adjustments (credits to MassDOT Highway Division)

Reinforcing Steel

Pay Item Number 999.466 for positive (+) pay adjustments (payments to the Contractor)

Pay Item Number 999.467 for negative (-) pay adjustments (credits to MassDOT Highway Division)

No price adjustment will be made for price changes after the Contract Completion Date, unless the MassDOT Highway Division has approved an extension of Contract Time for the Contract.

**BASE PRICES**

The Department's table of Base Prices specified above is updated monthly. The current table is attached to this Document 00813 and included in each new contract.

DOCUMENT 00814

SPECIAL PROVISIONS  
PRICE ADJUSTMENT FOR PORTLAND CEMENT CONCRETE MIXES

January 12, 2009

This provision applies to all projects using greater than 100 Cubic Yards (76 Cubic Meters) of Portland cement concrete containing Portland cement as stipulated in the Notice to Contractors section of the Bid Documents. This Price Adjustment will occur on a monthly basis.

The Price Adjustment will be based on the variance in price for the Portland cement component only from the Base Price to the Period Price. It shall not include transportation or other charges.

The Base Price of Portland cement on a project is a fixed price determined at the time of bid by the Department by using the same method as for the determination of the Period Price (see below) and found in the Notice to Contractors.

The Period Price of Portland cement will be determined by using the latest published price, in dollars per ton (U.S.), for Portland cement (Type I) quoted for Boston, U.S.A. in the **Construction Economics** section of *ENR Engineering News-Record* magazine or at the ENR website <http://www.enr.com> under **Construction Economics**. The Period Price will be posted on the MassHighway website the Wednesday immediately following the publishing of the monthly price in ENR, which is normally the first week of the month.

The Contract Price of the Portland cement concrete mix will be paid under the respective item in the Contract. The price adjustment, as herein provided, upwards or downwards, will be made after the work has been performed, using the monthly period price for the month during which the work was performed.

The price adjustment applies only to the actual Portland cement content in the mix placed on the job in accordance with the Standard Specifications for Highways and Bridges, Division III, Section M4.02.01. No adjustments will be made for any cement replacement materials such as fly ash or ground granulated blast furnace slag.

The Price Adjustment will be a separate payment item. It will be determined by multiplying the number of cubic yards of Portland cement concrete placed during each monthly period times the Portland cement content percentage times the variance in price between the Base Price and Period Price of Portland cement.

This Price Adjustment will be paid only if the variance from the Base Price is 5% or more for a monthly period. The complete adjustment will be paid in all cases with no deduction of the 5% from either upward or downward adjustments.

No Price Adjustment will be allowed beyond the Completion Date of this Contract, unless there is a Department-approved extension of time.

\*\*\*\*\*

\*

END OF DOCUMENT

SECTION 00815BASE PRICESPART 1 - GENERAL1.1 DESCRIPTION

- A. In accordance with Massachusetts General Law (MGL) Chapter 30, Section 38A, contracts for water and sewer projects awarded under MGL Chapter 30 Section 39M shall include price adjustment clauses for fuel (both diesel and gasoline), liquid asphalt and Portland cement contained in cast-in-place concrete.
- B. The work under this Contract includes price adjustments for hot mix asphalt, Portland cement, diesel fuel, and gasoline. Base Prices for hot mix asphalt, Portland cement, diesel fuel, and gasoline under this Project are defined as the Price presented on the Massachusetts Department of Transportation (MassDOT) website. MassDOT posts Price Adjustments on their Highway Division's website at <http://www.massdot.state.ma.us/Highway/> under the following link sequences:

Website: [massdot.state.ma.us](http://massdot.state.ma.us)

Tab1: Highway

Link1: Doing Business with Us

Link2: Construction

Link3: Price Adjustments

Prices may not be available for the month in which the project is Bid at the time the project is advertised for Bid. The Base Price will be confirmed after Contract Award and before the first monthly payment requisition. For this project, the recent Base Price History for the specified items is presented within Table 1.

**Table 1. Base Prices for the Contract**

Adjustment Period	Diesel	Gasoline	Liquid Asphalt	Portland Cement
	Gallon	Gallon	Ton	Ton
<b>July 2021</b>	\$ 2.563	\$ 2.495	\$ 555.00	\$ 149.65

\*Published prices as of August 2021.

END OF SECTION

SECTION 00821

PERMITS

PART 1      GENERAL

1.01      CONTRACT DOCUMENTS

- A.      The general provisions of the Contract, including General and Supplemental Conditions and General Requirements, apply to the work specified in this section.

1.02      PERMITS

- A.      The Contractor shall be responsible for obtaining and complying with all permits required of his equipment, work force, or particular operations (such as blasting and fuel storage permits, etc.) in the performance of the Contract. All costs associated with obtaining permits will be included in the price of the work.
- B.      If included as part of this project, The Contractor shall be responsible for complying with requirements of the Local Conservation Commission and the Cambridge Watershed Protection District. All costs associated with complying with the conditions will be included in the price of the work.
- C.      The Contractor shall be responsible for obtaining and complying with the requirements of the Street Opening and Trench Permits required by the City Department of Public Works in the performance of the Contract. All costs associated with complying with the conditions of the permits will be included in the price of the work. All costs associated with obtaining permits will be waived by the City.

END OF SECTION



## **SPECIAL PROVISIONS**

### **2021 RECONSTRUCTION & RESURFACING OF STREETS & SIDEWALKS CH90**

#### **CITY OF WALTHAM CONSOLIDATED PUBLIC WORKS DEPARTMENT**

#### **SCOPE OF WORK**

The work to be performed will include pavement reclamation, pavement milling and paving with hot mix asphalt, excavation of sidewalks and replacement with cement concrete or bituminous concrete, resetting of curb, resetting of castings, and other incidental work as required.

Work under this Contract shall be paid for at the Contract unit bid prices, which shall constitute full compensation for all material, labor, equipment, etc., required to satisfactorily complete the work.

All work under this Contract shall be done in conformance with the Massachusetts Highway Department *Standard Specifications for Highways and Bridges* dated 2021; the *2015 Construction Standard Details*, the *1990 Standard Drawings for Signs and Supports*; the *2009 Manual on Uniform Traffic Control Devices (MUTCD)* with *Massachusetts Amendments* and the *Standard Municipal Traffic Code*; the *1968 Standard Drawings for Traffic Signals and Highway Lighting*; the latest edition of *American Standard for Nursery Stock*; the latest edition of the American Water Works Association Standards, the Plans and these Special Provisions

#### **WORK SCHEDULE**

Work on this project is restricted by City Ordinance to a ten (10) hour day between the hours of 7:00am and 5:00pm. Work week is restricted to a five (5) day week Monday through Friday, with the Contractor and all subcontractors working on the same shift. No work shall be done on this Contract on Saturday's, Sunday's, or holidays without the prior written approval by the City. Weekly work schedules shall be delivered to the Engineer no later than noon on the Friday before the following work week.

No work shall be performed on the entire length of any street or roadway listed below during the hours of 7:00am to 9:00am and 4:00pm to 6:00pm. Also no construction vehicles shall be parked waiting to perform work during these hours. In case of emergency, exceptions to this rule can be made by the Consolidated Public Works Director or their designee. Any non-emergency work would be reviewed on a case-by-case basis and approval may be issued by the Consolidated Public Works Director or his/her designee. Street or roadways restricted are as follows: Bacon St., Bear Hill Rd., Beaver St., High St., Lexington St., Linden St., Main St., Maple St., Moody St., Newton St., Pine St., Prospect St., River St., Second Ave., Smith St., South St., Stow St., Totten Pond Rd., Trapelo Rd., Waverley Oaks Rd., Weston St., Winter St., and Wyman St.

## **CHANGES IN SCOPE**

The City of Waltham reserves the right to increase or reduce the amount of this Contract. Any changes in scope may involve adding work on the streets listed above or on streets yet to be identified, or deleting all or some of the work on a specific street or portion of a street. Changes in scope may be ordered at any time up to project acceptance at the Contract unit bid prices.

## **DEFINITIONS**

Except for specific reference to Department Standards and Operations, the usage of the term Director shall mean the Waltham Public Works Director or his/her duly authorized Agent. Where used the term Engineer shall mean the Waltham Public Works Director or his/her duly authorized agent. Where used the term Owner shall mean the Waltham Public Works Director or his/her duly authorized Agent.

## **RESPONSIBILITY FOR DAMAGE CLAIMS**

The Contractor shall indemnify, defend and save harmless the Municipality and all of its or their offices, agents and employees against all suits, claims or liability of every name and nature, for or on account of any injuries to persons or damage to property arising out of or in consequence of the acts of the Contractor in the performance of the work covered by the Contract or failure to comply with the terms and conditions of said Contract, whether by themselves or his/her employees or Subcontractors, but only in respect of such injuries or damages sustained during the performance and prior to the completion and acceptance of the work covered by the Contract.

The Contractor will be held responsible for any and all claims for damage to underground structures such as, but not restricted to, water or gas mains, pipes, conduits, manholes or catch basins, due to his/her operation or to the operations of any of his/her Subcontractors.

## **COOPERATION BY CONTRACTOR**

Attention is directed to the provisions relating to rights of public corporations and municipal departments to enter the site of the improvement and alter, replace, and/or install facilities at such times when the Contractor will be prosecuting other required work contiguous thereto.

## **INSPECTION OF WORK**

The Contractor is advised that the Waltham Public Works Director will be provided with a schedule of operations and will at various times during the construction of the project be on-site to inspect procedures and give directions. For the purpose of observing work that affects their respective properties, inspectors for public agencies and utility companies shall be permitted access to the work, but all official orders and directives to the Contractor will be issued by the Director or his/her duly authorized agent.



## **NOTICE TO OWNERS OF UTILITIES AND PUBLIC SERVICE DEPARTMENTS:**

Written notice shall be given by the Contractor to all public service corporations or officials owning or having charge of Public or Private Utilities and Departments of his/her intentions to commence operations affecting such utilities and Departments at least one (1) week in advance of the start of such operations and the Contractor shall at the same time file a copy of said notice with the Engineer.

The names of the principal City Departments and Utilities which may be affected will be provided to the Contractor at the pre-construction meeting.

**The Contractor shall notify “Massachusetts DIG SAFE” and procure a DIG SAFE number 72 hours prior to disturbing existing ground in any way. DIG SAFE Call Center – PHONE - 811.**

**The City of Waltham is not a part of “DIG SAFE.” The Contractor must request Water, Sewer, and Drain utility markings from the City Water & Sewer Department at least 72 hours prior to disturbing existing ground in any way.**

Before the Contractor begins any work on operations which might result in damage to utility pipes or structures the Contractor shall verify the locations of existing overhead and subsurface utilities in the vicinity of the work with the listed Departments and Utility Companies and conduct his/her operations so as to avoid any damage to them.

## **PROTECTION OF EXISTING UTILITIES AND STRUCTURES**

Excavation and backfill operations shall be carried out in a manner that will prevent cave-in of excavations or the undermining, damage or disturbing of existing utilities and structures or of new work.

Any excavations improperly backfilled, or where settlement occurs, shall be reopened to the depth required, then refilled with new materials and compacted, and the surface restored to the required grade and condition at no additional expense to the Owner.

Any damage due to excavation, backfilling or settlement of the backfill, or injury to persons or damage to property occurring as a result of such damage, shall be the responsibility of the Contractor. All costs to repair such damage, in a manner satisfactory to the Owner, shall be borne by the Contractor at no additional expense to the Owner.

Where existing subsurface utilities or other facilities adjacent to or crossing through the excavation require temporary support or protection, such temporary support or protection shall be satisfactorily provided by the Contractor at no additional expense to the Owner. All necessary measures shall be taken by the Contractor to prevent lateral movement or settlement of existing facilities or of work in progress.

The plans indicate the approximate location of existing overhead and subsurface utilities in the vicinity of the work and the bidders are advised to verify this information, as its accuracy and completeness are not guaranteed by the Owner or Engineer.

## **PROTECTION OF UTILITIES AND PROPERTIES**

The Contractor's attention is directed to the location of underground utilities in the existing and proposed roadways.

The Contract Drawings indicate the approximate location in plan of existing overhead and subsurface utilities in the vicinity of the work. Whatever measures are necessary to protect these lines during the work shall be included in the Contract unit price for the various items involved.

In case of damage to utilities, the Contractor shall promptly notify the Owner and shall, if requested, furnish manpower under the Owner's direction in getting access to the utility. Pipes or other structures damaged by the operation of the Contractor may be repaired by the Owner, the municipality, or the utility company. The cost of such repairs shall be borne by the Contractor without compensation therefore.

The work to be done under this Contract may necessitate changes in the properties of utility companies or the municipality hereinbefore listed. Immediately after executing the Contract, the Contractor shall confer with the owners of all utilities in order that relocations of mains or services may be made at times consistent with operations of the Contract.

## **PROVISIONS FOR TRAVEL AND PROSECUTION OF THE WORK**

Prior to commencement of work, the Contractor shall be responsible for obtaining all necessary construction permits. Permits will include, but are not necessarily limited to, a Street Opening / Trench Permit from the Consolidated Public Works.

Access shall be maintained for all abutters so that they may use the driveways and approaches adjacent to their properties. Pedestrian access to abutting property and access for emergency vehicles shall be provided at all times.

All construction equipment, material and debris shall be removed from the traveled way at the end of each working day and shall be stored in such manner as not to interfere with the flow of driveway traffic or pedestrians.

The Contractor shall coordinate his/her work with the work to be done by other Contractors on the site, public utilities or other agencies, and he/she shall so schedule his/her operations as to cause the least interruption to the normal flow of all traffic types. Reasonable facilities shall be provided by the Contractor for the safe and convenient passage of pedestrians and vehicles through and within the project area.

Particular care shall be taken to establish and maintain methods and procedures which will not create unnecessary or unusual hazards to public safety. The placement of necessary devices will be for daily work periods and shall be removed after the completion of work operations. Signs having messages that are irrelevant to normal traffic conditions shall be removed or properly covered at the end of each work period. Signs are to be kept clean at all times and legends shall be distinctive and unmarred.

## **TRAFFIC MANAGEMENT PLAN**

The Contractor shall prepare and submit a traffic management plan to the Engineer for review and approval by the Engineer and the Waltham Police Department Traffic Safety Officer. The Traffic Management Plan shall be prepared for all streets in the Contract, unless specifically directed otherwise by the Engineer. The Traffic Management Plan shall contain information on proposed detour routes if requested, location and type of detour and warning signs, barricades and other safety and traffic control means and devices to ensure a safe, orderly flow of vehicular and pedestrian traffic.

All temporary and permanent signs, traffic control devices, and pavement markings shall conform to the latest relevant sections of the Manual on Uniform Traffic Control Devices (MUTCD), and the Massachusetts Standard Specifications for Highways and Bridges.

The Traffic Management plan shall be submitted for review at least fourteen (14) days prior to any work being performed on the project roadways. No work would be allowed until the Traffic Management Plan is approved by the City and implemented by the Contractor.

Temporary pavement markings and other traffic control devices shall be provided in accordance with the Contractor's Traffic Management Plan and as directed by the Engineer.

Temporary traffic control devices shall include the provision of variable message sign boards to supplement other traffic control measures as directed by the Engineer. The cost of preparing the traffic management plan and providing and maintaining temporary traffic control devices shall be borne by the Contractor.

## **RAILROAD FLAGGING SERVICE**

If any of the work required to be done by the Contractor may obstruct the tracks of a railroad or in any way endanger the operation of its trains, and the services of a flagger or flaggers or other railroad employees are required by the Chief Engineer of the railroad company and personnel are assigned by that Chief Engineer for the protection of the property and traffic of the Railroad against hazards, the cost of all such flagging services will be paid by the Contractor to their employers, subject to the rules and regulations of the railroad company. The Contractor shall provide to the City proof of payment to the Railroad for the cost of the flaggers required. The City shall reimburse the Contractor for the flaggers under item 999.2 Railroad Flagging. The City shall not pay any administrative charges associated with the costs of flaggers charged by the railroad nor shall the Department pay charges for debit accounts if such accounts are required by the railroad.

## **METHOD OR SEQUENCE OF CONSTRUCTION**

The Contractor shall obtain approval for his/her proposed method and sequence of construction, including procedures for maintaining traffic, from the City Engineer or his/her duly authorized agent, prior to performing the work. The Contractor is responsible for filling out and submitting to the Engineer the one page checklist included at the end of

this section prior to commencing a new segment or phase of work. The checklist describes the type of work to be done and identifies a series of notifications and preliminary steps that are to be addressed prior to commencing a new segment or phase of work.

### **OSHA REQUIREMENTS**

The work to be performed under this Contract by the General Contractor and any and all subcontractors is to be performed in compliance with the Occupational Safety and Health Act of 1970, including any and all amendments thereto.

### **PRECAUTIONS UNDER ELECTRIC LINES**

The bidders attention is directed to the AASHTO Guide on Occupational Safety on Highway Construction Projects, Subpart N, 1926.550, relating to construction equipment clearances at overhead electric lines, which states in part "... the minimum clearance between the lines and any part of the crane or load must be at least 10 feet from lines rated 50 KV or below, and greater distances for high voltage ...".

For the protection of personnel and equipment, the Contractor should be aware of this regulation especially during paving operations using large semi-trailer vehicles.

### **OVERLOADED TRUCKS**

Materials delivered to the project in motor vehicles or semi-trailer units that exceed the legal maximum gross weight allowed for the particular class as specified in section 19a of chapter 90 of the general laws of Massachusetts will not be accepted.

### **PUBLIC SAFETY AND CONVENIENCE**

Trenches shall not be excavated in traveled ways until all materials and equipment required for such work are at the site and available for immediate use. When work is not in progress, trenches in areas subject to public travel shall be covered with steel plates capable of safely sustaining a 36.5-ton truckload with impact without additional compensation. The work in each trench shall be practically continuous, with the placing of pipe, backfilling, and paving of the roadway surfaces closely following each preceding operation. Payment for steel plates will be included under the unit bid price per linear foot for the respective pipe or conduit item, regardless of width of trench.

The Contractor shall take every measure necessary for the protection of personnel and property.

The Contractor shall at all times, until written acceptance of the physical work by the Owner, be responsible for the protection of the work and shall take all precautions for preventing injuries to persons or damage to property on or about the project.

### **BARRICADES AND WARNING SIGNS**

All automotive equipment not protected by traffic cones or flares that is working on the project in areas open to traffic shall have one amber flashing or strobe warning light

mounted on the cab roof or on the highest practical point of the machinery. These lights shall be in operation whenever the equipment is working or traveling in the project work area at a speed less than 25 M.P.H. Flashers must be visible to both oncoming and overtaking vehicular traffic and shall have a light source of 32 minimum candlepower and a flashing frequency of 50-60 times per minute.

All personnel who are working in areas open to traffic shall wear MHD approved safety vests.

All vehicles except passenger cars which are assigned to the project which operate at speeds of 25 MPH or less shall have an official SLOW MOVING VEHICLE emblem displayed in accordance with the provisions of Section 7 of Chapter 90 of the General Laws as amended by Chapter 684 of the Acts of 1970.

### **STEEL PLATES IN CONSTRUCTION ZONES**

At the end of each working day where trenches in areas of public travel are covered with steel plates, each edge of such plates shall be either beveled or protected by a slope of 2-feet horizontally to 1-inch vertically. Temporary bituminous concrete patching material shall be used to construct the ramps. The cost of necessary patching materials and their maintenance and removal will be considered incidental to the item involved with no separate payment.

### **DISPOSAL OF SURPLUS EXCAVATED MATERIALS**

All surplus excavated material not required or suitable for reuse on the project, or otherwise not wanted by the City, shall become the property of the Contractor and removed and disposed of outside and away from the limits of the project at no additional cost to the City in accordance with all local rules and the approval of local governmental authorities having jurisdiction over the disposal of such materials. Any excess material that the City decides to keep shall be transported to and stored at a location within City to be identified by the Engineer. Loading, transporting, and unloading shall be done by the Contractor without additional compensation.

Payment for this work shall be included in the unit price under the applicable item from which the material was obtained.

### **PROMPT PAYMENT AND RELEASE OF RETAINAGE TO SUBCONTRACTORS**

The Contractor agrees to pay each subcontractor under this Contract for satisfactory performance of subcontract work not later than 10 business days from the receipt of each payment the Contractor receives from the City. Failure to comply with this requirement may result in the withholding of payment to the Contractor until such time as all payment due under this provision has been received by the subcontractor(s) and/or referral to the Prequalification Committee for action which may affect the Contractor's prequalification status.

## **ARCHITECTURAL ACCESS BOARD TOLERANCES**

The Contractor is hereby notified that they are ultimately responsible for constructing all project elements in strict compliance with the current AAB/ADA/PROWAG rules, regulations, standards and guidelines (Rules and Regulations).

All construction elements in this project associated with sidewalks, walkways, wheelchair ramps and curb cuts are controlled by 521CMR - Rules and Regulations of the Architectural Access Board (AAB) and the Accessibility Guidelines for Pedestrian Facilities in the Public Right of Way (PROWAG)

The Rules and Regulations specify maximum slopes and minimum dimensions required for construction acceptance. There is no tolerance allowed for slopes greater than the maximum slope nor for dimensions less than the minimum dimensions.

Contractors shall establish grade elevations at all wheel chair ramp locations, and shall set transition lengths according to the appropriate table in the Construction Standards (or to the details shown on the plans).

All wheelchair ramp joints and transition sections which define grade changes shall be formed, staked and checked prior to placing cement concrete. All grade changes are to be made at joints.

## **DEBRIS IN DRAINAGE AND SEWER STRUCTURES**

The Contractor shall exercise care when conducting his/her operations so that the debris does not enter any structures. All structures and pipes shall be kept clean and operable. All costs of debris removals, damages due to back-ups, and cleaning by others due to operations of the Contractor shall be borne by the Contractor.

## **PROCEDURES FOR SHOP DRAWING SUBMITTALS**

The following procedure shall be followed when making shop drawing submittals for this project:

1. The Contractor shall submit four (4) sets of drawings directly to the Engineer for preliminary review.
2. The Engineer will send a written reply, returning two (2) sets to the Contractor within seven (7) working days of receipt of the drawings.
3. If the Engineer's reply indicates rejection or advises corrections or additions to the drawings, steps 1 and 2 are repeated until the Engineer indicates that approval will be given.
4. The Contractor shall then submit four (4) sets of drawings to the Engineer for approval and distribution by the Engineer per the standard operating procedures of the Department.
5. The Contractor shall take care that every separate document in each set of every submittal shall carry the following identifying information:

### **Information Required**

- a. Project No.
- b. Identifying Item Number from proposal, if applicable

- c. Locations where material is proposed to be used, if applicable
- d. Name of submitting Contractor
- e. Personal signature and title of an official of the Contractor authorized to make shop drawings submittals
- f. Date of signature or submittal

The Contractor shall not receive payment for nor will he/she be allowed to install any item or materials which require shop drawing approval unless and until he/she receives shop drawing approval for that item.

Within 15 days after receipt of an approved shop drawing for any item, the Contractor shall provide the Engineer written proof that he/she has ordered such approved materials required on the subject Contract and a written confirmation on such order and delivery schedule from the manufacturer of the item. This delivery schedule shall be appropriate for timely completion of this project.

### **SAWCUTS**

Sawcuts shall be made in existing pavements to provide a neat, square edge at limits of excavation and to provide a clean joint where new pavement and sidewalks are to match existing. Sawcuts shall also be made where shown on the Contract Drawings, or otherwise directed by the Engineer. Sawcuts shall be made to the depth directed and shall be clean and even. All cuts shall be made using an approved power driven saw. All sawcuts shall be considered incidental and compensation will be included in the Contract bid prices for the related work items.

### **CONCRETE COLLARS**

Concrete collars, as per the standard construction details, shall be placed around drainage and sewer and telephone structures, water service boxes, and utility boxes that are located in pavement areas as directed by the Engineer. High early strength concrete shall be used if required by the Engineer. Concrete used for collars shall not be measured for payment. Compensation shall be included in the Contract bid price for the respective items.

### **ASPHALT JOINTS**

Tack coat and sand shall be applied to all joints composed of hot mix asphalt immediately after paving, or as required by the Engineer. Tack coat and sand, when applied to joints as described, shall be considered incidental and compensation shall be included in the Contract bid price for the respective hot mix asphalt items.

### **DEWATERING**

Where excavations become inundated with water, whether from groundwater or surface runoff, the Contractor shall be responsible for dewatering the excavation prior to installing structures and/or pipes and backfill. Dewatering activities shall be performed in accordance with the details shown on the plans. Locations of materials and methods used for dewatering shall be approved by the Engineer prior to use. Costs associated with

dewatering activities shall be considered incidental to the overall project, and no additional compensation shall be made.

### **PROTECTION OF EXISTING TREES**

Trees and shrubs that are not designated on the plans, or by the Engineer, to be cut, removed, destroyed or trimmed shall be saved from harm and injury. The Contractor shall provide measures to prevent any harm and injury caused during construction operations.

### **DISTURBANCE OF EXISTING BOUNDS**

Where existing bounds are disturbed by the Contractor's activities, they shall be reset by a Registered Land Surveyor at the Contractor's expense. Where the existing bounds conflict with the proposed construction, removal and resetting of the bounds shall be paid for under Item 711 - Bound Removed and Reset.

A certification by the Registered Land Surveyor performing the work shall be made and submitted to the Engineer for all bounds reset.

### **MATERIALS TESTING**

All materials used in the construction of the project shall be subject to inspection, examination, or testing, by a certified materials testing laboratory as determined necessary by the Engineer.

### **RECORD DRAWINGS (AS-BUILT) DOCUMENTS**

At the conclusion of construction and prior to final payment the Contractor shall submit ties to all curb stops, bends, valves and other water appurtenances installed as well as invert elevations for all drainage or sewer structures installed or altered as part of the Work under this Contract. Copies of legible and detailed field notes or marked up design plans shall be provided to the Engineer.



**ITEM 103.00**  
**ITEM 104.00**  
**ITEM 105.00**

**TREE REMOVED (DIAMETER UNDER 24 INCHES)**  
**TREE REMOVED (DIAMETER OVER 24 INCHES)**  
**STUMP REMOVED**

**EACH**  
**EACH**  
**EACH**

The work to be done hereunder consists of removing and disposing of materials in accordance with the relevant provisions of Section 101 as amended and supplemented by the following:

This work shall consist of clearing, grubbing, cutting, removal and disposal of all vegetation and debris from areas either within or outside of the Right-of-Way as shown on the plans or designated by the Engineer. The work shall also include the preservation from injury or defacement of all vegetation and objects designated by the Engineer to remain.

The burning of trees, brush, stumps, etc., will not be permitted. The Contractor shall provide other satisfactory methods of disposal without additional compensation.

Quality of work must conform to all accepted tree trimming practices. All trimming and pruning shall conform to recognize tree surgery practices, and particular note should be made that painting with an approved tree dressing or paint, will be required on all cuts 2 inches or over in diameter.

The dressing or paint shall be applied no later than two days after the cuts are made.

Recognized tree surgery practices include among others, the fact that all limbs and branches which require removal and all stubs regardless of age must be cut flush either to a union with the next larger sound limb or branch or flush to the trunk of the tree.

The cutting shall be performed by experienced woodsmen. Trained tree climbers are required for pruning of tall growth. Care shall be exercised by the Contractor to prevent injury to trees and shrubs designed to be preserved. Any injury to limbs, bark or roots of such plants shall be repaired by the Contractor, as directed, or the plants replaced without additional compensation for such repair or replacement.

All trees to be cleared shall become the property of the Contractor, and the satisfactory disposal of the wood in such trees outside the Right-of Way shall become his responsibility.

The tress, including cuttings and slash shall be disposed after cutting as soon as practicable and in such a manner as not to distract from the appearance of the roadside.

If the existing ground in the area is disturbed by any of the work or equipment, the Contractor shall rough-grade and loam and seed if necessary the disturbed areas, if so directed, without additional compensation.

After removal, all stumps including the major root system shall be disposed by the Contractor at his own responsibility outside the layout where the material will not cause obstructions to streams and will not detract from the appearance of the roadside.

**Disposal of Dutch Elm Disease Wood:** Dutch Elm disease wood shall be disposed of in accordance with the provisions of General Law, Chapter 87, Section 5 and Chapter 132, Sections 8 and 11, as amended; and in accordance with any additional local regulations.

Where the work includes the removal of elm trees or the limbs of elm trees, such trees or limbs thereof shall be disposed of immediately after cutting or removal and in such a manner as to prevent the spread of Dutch elm disease. This shall be accomplished by covering them with earth to a depth of at least 6-inches in areas outside the highway location where the Contractor has arranged for disposal.

Where the work includes the removal and disposal of stumps of elm trees, such stumps shall be completely disposed of immediately after cutting in the manner specified above.

Only such trees as have a shortest diameter of at least 9-inches and less than 24-inches shall be included in the item of Trees Removed (Diameter Under 24-Inches). Only such trees as have a shortest diameter of 24- inches or more shall be included in the item of Trees Removed (Diameter 24 Inches and Over).

The item of Stumps Removed shall include the removal and satisfactory disposal of all tree stumps which remain in their original position and 9 –inches or more in shortest diameter at the cutoff point, where the trees have been previously removed by others. A stump shall not be construed as a tree under these specifications unless the trunk extends over 6-feet above the average ground.

Trees or stumps to be removed which have the shortest diameter specified for payment will be measured in place by the following procedure.

Where the tree consists of a single trunk extending more than a 3-foot vertical height above the average natural ground line, the shortest diameter shall be measured at the 3-foot level above the average elevation of the original ground.

Any tree whose main trunk separates into multiple trunks or which has limbs or branches growing out from the main trunk below the 3-foot level defined hereinbefore shall have its shortest diameter measure at the lowest point on the main trunk where multiple growths or branching out begins.

Measurement for payment under the respective items shall be such that any individual growth to be classed as a tree stump shall be measured in a manner to limit payment to one single tree or stump at each particular location of the individual growth. When multiple trunks with a common root system are separated at ground level each separate trunk shall be considered as an individual growth under these specifications.

The quantity of trees or stumps to be paid for will be the number actually removed by the Contractor in the completed and accepted work as determine by count.

The removal of trees, including the stumps thereof and required spray material will be paid for at the contract unit price each for the particular kind of work involved, as defined hereinbefore when a quantity is given in the Proposal under their respective items, otherwise this work will be paid for at the contract unit price for excavation or at the contract unit price per acre of Clearing and Grubbing or Selected Clearing and Thinning, whichever is applicable. The contract unit price shall include the cost of all arrangements



EXCAVATED MATERIALS”, payment for which is to be included in the unit bid price for Item 129.

The accepted quantity of Pavement Milling will be paid for at the Contract unit price per square yard under Item 129.

<b><u>ITEM 220</u></b>	<b><u>DRAINAGE STRUCTURE ADJUSTED</u></b>	<b><u>EACH</u></b>
<b><u>ITEM 220.5</u></b>	<b><u>DRAINAGE STURCTURE REMODLED</u></b>	<b><u>VLF</u></b>
<b><u>ITEM 220.7</u></b>	<b><u>SANITARY STRUCTURE ADJUSTED</u></b>	<b><u>EACH</u></b>

The work to be performed under this Item shall conform to the relevant provisions of Section 220, supplemented by the following:

Structures to be adjusted shall be identified by the Contractor and approved by the Engineer prior to commencing with the work. Castings that are damaged due to the actions of the Contractor shall be replaced with new castings at his own expense. Structures that are adjusted will be paid for at the unit price per each, regardless of the number of times that structure is to be adjusted to a temporary or final grade. Payment for structures to be adjusted shall include modifications to the structure in line and/or grade of up to 3 feet. Adjustment of double inlet catch basins shall be counted as one unit.

If the Engineer determines that any castings require replacement, the Contractor shall install new castings as required under Items 221.1. If new castings are to be installed, payment for adjustment of the new castings shall be included under the item for the new casting.

Existing frames and grates or covers identified to be replaced shall be transported to the Public Works maintenance yard located at 169 Lexington St and stockpiled in a location identified by the engineer at no additional cost. Any frames and grates or covers determined by the Engineer to be of no further value to the City shall become the property of the Contractor and be disposed of off the project site by the Contractor without additional compensation.

Limits of drainage structures to be rebuilt shall be pre-approved by the Engineer. When in the judgment of the Engineer the masonry shows deterioration the structure shall be re-built in accordance with the provisions of Section 220.6.

Payment for the adjustment of structures shall include payment for all necessary labor, materials, and equipment required to satisfactorily complete the work, including removing and stacking existing castings to be replaced if required by the Engineer, initial setting of the new castings, adjustments to temporary grades, and adjustments to the final grade.

Drainage Structure Rebuilt will be measured by the vertical lineal foot, complete in place and will be paid for at the Contract unit price per foot, which price shall include all labor, materials, equipment and incidental costs required to complete the work including

removal of deteriorated portions of the structure, brick, block and mortar as required to rebuild the structure.

**ITEM 221.1 FRAME AND GRATE OR COVER - MUNICIPAL STANDARD EACH**

The work to be performed under these Items shall conform to the relevant provisions of Sections 201 and 220, supplemented by the following:

Frames, grates and covers shall be LeBaron Foundry, Neenah Foundry or approved equivalent. The following model numbers refer to LeBaron products:

Frame and Cover for Drain and Sewer Manhole – LK 110A

Frames and Grates for Catch Basins and Gutter Inlets – LF 248.

Manhole covers shall have a diamond pattern; pick holes and the appropriate word “DRAIN” or “SEWER” cast in 3-inch letters to match the corresponding utility. Where 36” frames and covers are required, they shall be provided and installed at no additional cost. Casting frames shall be set in a full mortar bed with bricks, a maximum of 8 inches thick. All castings shall be set in a full concrete collar, conforming to Standard Details.

Existing frames and grates or covers identified to be replaced shall be transported to a location Waltham identified by the Engineer at no additional cost. Any frames and grates or covers determined by the Engineer to be of no further value to the City shall become the property of the Contractor and be disposed of off the project site by the Contractor without additional compensation.

Frames and grates (or covers) - municipal standard will be measured for payment per each, complete in place and will be paid for at the Contract unit price per each, which price shall include all labor, materials, equipment and incidental costs required to complete the work including initial setting of the new casting, adjustments to temporary grades, and adjustments to the final grade.

**ITEM 357.06 6 INCH SERVICE GATE BOX EACH**

This work shall consist of furnishing and installing gate boxes as shown on the contract drawings or as required by the Owner.

Gate boxes shall be two section, cast iron, heavy pattern, adjustable type with cast iron cover. The upper section shall have a bottom flange of sufficient bearing area to prevent settling. The bottom section shall enclose the valve stuffing box and operating nut. Boxes shall be of lengths adapted to five foot pipe cover or more and have a minimum of six inch overlap in the most extended position. Covers shall have the word "WATER" cast in the top.

The box shall be installed vertically and centered over the gate so that the gate wrench may be easily attached onto the gate. After installation, the box shall be cleaned out of all residue. Also included with this item shall be the final adjustment to proposed grade of

the new gate box.

Measurement for gate boxes shall be for the number of units furnished, installed and accepted as measured by the Owner.

Payment for gate boxes shall be made for the number of units furnished, installed and accepted as determined above at the contract unit prices for 357.060 and 357.061 as set forth in the Bid. Said price and payment shall be full compensation for furnishing and installing gate boxes and all related work including excavation, pumping, backfill, cement concrete collars, cleaning out the gate box, all tools, labor, equipment, materials and all else incidental to complete the work within this item. There shall be no separate payment for adjustment of new gate boxes and sleeves. That work shall be considered as incidental to the work within this item.

<b><u>ITEM 358.1</u></b>	<b><u>SIDEWALK GATE BOX ADJUSTED</u></b>	<b><u>EACH</u></b>
<b><u>ITEM 358.2</u></b>	<b><u>ROADWAY GATE BOX ADJUSTED</u></b>	<b><u>EACH</u></b>

The work to be done under these Items shall conform to the relevant provisions of Section 301 and the following:

Gate boxes, including service boxes, to be adjusted shall be identified by the Contractor and approved by the Engineer prior commencing with the work. Prior to adjustment of the gate boxes, the vertical alignment of the box over the center of the gate shall be checked. If needed, the gate box shall be re-aligned over the top of the gate before it is adjusted. Gate boxes and service boxes that are adjusted will be paid for at the unit price per each, regardless of the number of times that structure is to be adjusted to a temporary or final grade.

Service boxes and gate boxes are to be kept accessible during the construction period for use in an emergency.

Gravel base around the gate boxes shall be thoroughly compacted. For gate boxes in the traveled roadway, the excavated area shall be refilled with gravel, compacted, and set in a cement concrete collar as shown on the detail section of the contract drawings. The final elevations of the structures shall be determined in the field by the Owner at the time of construction. All work shall be done under the direction of the Owner. After the boxes are adjusted, they shall be air blown to remove all debris from the inside.

If, during the course of the work, a defective gate box is encountered, the Contractor shall remove it as required by the Owner. A new gate box and/or sleeve shall be furnished and installed by the Contractor. This shall not include any gate boxes and/or sleeves damaged by the Contractor. Any damage as a result of the Contractor's negligence shall be repaired or replaced by him at no cost to the City. Furnishing, installation and adjustment to final grade of any new gate boxes and/or sleeves shall be included as part of ITEMS 357 and shall not be considered as part of ITEMS 358.100 or 358.200.

Measurement for gate boxes adjusted shall be for the number of units completed and

accepted as determined from actual count by the Owner. Payment for gate boxes adjusted shall be made based on the number of completed units as determined above at the contract unit prices for ITEMS 358.100 & 358.200 as set forth in the Bid. Said price and payment shall be full compensation for all work in adjusting gate boxes and/or sleeves including all tools, labor, equipment, cement concrete collars, gravel, compaction, and all else incidental to satisfactorily complete the work within this item. Not included for payment within this item shall be the furnishing, installation, and final adjustment to grade of any new gate boxes and/or sleeves that are required. They shall be measured and paid for under ITEMS 357.

Gravel borrow backfill will be used and shall be thoroughly compacted with a power tamper. Adjustment to final grade shall be done just prior to placing the final pavement course or sidewalk material. Any castings determined by the Engineer to be of no further value to the Owner shall become the property of the Contractor and be disposed of off the project site by the Contractor without additional compensation.

**ITEM 403                    RECLAIMED PAVEMENT FOR BASE COURSE    SQUARE YARD**

The work to be done under these Items shall conform to the relevant provisions of Section 403 and the following:

This work will consist of in-place rehabilitation of the existing pavement structure. Existing pavement shall be scarified, pulverized and reshaped into a processed asphalt stabilized base.

the existing asphalt structure shall be scarified and mixed with equal amounts of gravel base from the existing roadway foundation to a maximum depth of 16". The pulverization shall be accomplished by means of a traveling pulvimiller/hammermill or equivalent machine capable of scarifying/milling to a depth of 16" in one pass and conveying this material to a stationary hammermill mounted on the machine. This machine shall be self-propelled and equipped with an adjustable grading blade thus leaving its path generally smooth for traffic. The key element in this process is the fractioning of the existing asphalt pavement by the high speed hammers of the hammermill. Equipment such as road planers/cold milling machinery will not be acceptable as they produce larger asphalt particle size that defeats the objective of this process. The above mentioned process shall produce a uniformly blended base material with a minimum asphalt content of 2% that will conform to the following gradation requirements:

Sieve Designation	Percentage by Weight Passing
3"	100%
1 1/2"	70-100%
3/4"	55-90%
#40	10-30%
#200	1-3%

After the material has been accepted by the Owner, it shall be shaped, graded and rolled to true grades, the prescribed number of inches below and parallel to the finish pavement grade of the roadway as shown on the plans or as required by the Owner. Material not required in the roadway shall be deposited and spread on the sidewalk by the Contractor as required at no additional cost to the City.

Excess material that is not needed on this project shall be removed and properly disposed of by the Contractor at no additional cost to the City. The City may decide to retain the excess material and have the Contractor deliver it to a property within Waltham. Water shall be applied during the operation in sufficient quantities to insure optimum moisture content at the time of compaction. Water may be taken from City hydrants provided an approved hydrant wrench and control valve are used, and that water is not wasted.

Measurements shall be taken by the Owner with the process material in place and properly graded and compacted. Measurement shall be the number of square yards reclaimed for any depth up to sixteen inches. All excess material shall be removed from the site as part of this item. There is no additional measurement or payment for excavation.

Payment shall be made for the number of square yards reclaimed as determined above, up to a depth of sixteen inches, at the contract unit price for ITEM 403 as set forth in the Bid. Said price and payment shall be full compensation for reclaiming, processing, rough grading, compacting, depositing and grading on sidewalk, removal of excess material, labor, materials, tools and equipment and all incidentals necessary to complete the work under this item as shown on the plans, as required by the Owner, and as specified herein.

**ITEM 440.0    CALCIUM CHLORIDE FOR ROADWAY DUST CONTROL        POUNDS**

This work shall consist of furnishing and applying approved dust control material to the surface of the sub grade or elsewhere as required by the Owner.

Calcium Chloride shall conform to the requirements of AASHO M144, Type I or Type II.

Calcium Chloride shall be uniformly applied at the rate of three-quarters pounds per square yard or as required by the Owner.

Calcium Chloride will be measured by the pound and the quantity to be paid for shall be the actual weight of the material furnished and applied in place.

Payment shall be made for the amount of Calcium Chloride furnished and placed as determined above at the Contract price for ITEM 440.000 as set forth in the Bid.



**ITEM 460**  
**ITEM 460.3**

**HOT MIX ASPHALT**  
**HOT MIX ASPHALT FOR NIGHT WORK**

**TON**  
**TON**

The work to be done under this Item shall conform to all the relevant provisions of Section 460 and the following:

Item 460 Hot Mix Asphalt, shall conform to the requirements of Section 560.00 of the current Edition of the "Standard Specifications for Highways and Bridges," Commonwealth of Massachusetts, Department of Public Works, including any addenda or amendments thereto. The City of Waltham has the option of requesting a modified state top when deemed necessary.

Bituminous concrete shall be spread at a temperature of not less than 225 degrees Fahrenheit and all initial rolling or tamping shall be performed when the temperature of the mixture is such that the sum of the air temperature plus the temperature of the mixture is between 300 and 375 degrees Fahrenheit. All mixtures shall be placed only when the atmospheric temperature is above 40 degrees Fahrenheit.

Bituminous concrete for wearing surfaces and base courses shall be spread in individual layers and compacted to the required lines, grades and cross section.

Rolling shall commence at the lower edges and shall progress toward the highest portion. Under no circumstances shall the center be rolled first. Each completed surface shall be thoroughly compacted, smooth and free from ruts, humps, depressions, or irregularities. Where new bituminous meets existing bituminous surfaces, an emulsifying agent shall be applied to seal the joint. A sand overcoat shall then be applied over the emulsifying agent.

All bituminous used for roadway and sidewalk bases and surfaces will be paid for on the basis of weight and shall be measured by tickets delivered with each load. The tickets shall be signed by a certified weigher and shall be countersigned by the Owner. The tickets shall clearly show the total, tare, and net weights. Loads represented by tickets not showing the weights as specified above will not be accepted for payment. Only bituminous concrete placed at the required depth and within the limits specified by the Owner will be accepted for payment.

Payment for bituminous concrete shall be made for the number of tons as determined above at the Contract unit price for ITEMS 460 and 460.3 as set forth in the Bid. Said price and payment shall be full compensation for all fine grading and compaction, for furnishing, spreading and compacting bituminous concrete, emulsifying and sanding of all joints, and for furnishing all tools, labor, materials, equipment, and all else incidental thereto.

**ITEM 464****BITUMEN FOR TACK COAT****GALLON**

The work to be done under this Item shall conform to all the relevant provisions of Section 400 and the following:

A tack coat of asphalt emulsion, grade RS-1 shall be uniformly applied to existing or new pavement surfaces prior to placing pavement courses as specified below. The existing surface shall be swept clean of all foreign matter and loose material using a mechanical sweeper and shall be dry before the tack coat is applied.

A pressure distributor shall be used to apply the tack coat. The tack distributor system shall be equipped with the following to control and monitor the application:

- System for heating the asphalt emulsion uniformly to specified temperature.
- Thermometer for measuring the asphalt emulsion temperature.
- Adjustable full circulation spray bar.
- Positive controls including tachometer, pressure gauge, and volume measuring device.

**Tack Application Requirements.**

The tack coat material shall be applied by a pressure distributor. All nozzles on the distributor shall be open and functioning. All nozzles shall be turned at the same angle to the spray bar. Proper nozzle angle shall be as determined by the manufacturer of the distributor spray bar. The spray bar shall be adjusted so that it is at the proper height above the pavement surface to provide a double overlap spray for a uniform coverage of the pavement surface. A double lap application requires that the nozzle spray patterns overlap one another such that every portion of the pavement receives spray from exactly two nozzles.

When an HMA pavement course is placed on an existing tight smooth pavement surface, a tack coat shall be applied at the rate of 1/20 gal/sy. All existing surfaces subjected to milling shall receive a tack coat at the rate of 1/15 gal/sy. Tack coat shall be applied to cover approximately 90% of the pavement surface.

Any new HMA pavement course that has been open to traffic, or that was placed 30 days prior to placement of the subsequent pavement course, shall receive a tack coat at an application rate of 1/20 gal/s.y.

When the surface of a new HMA pavement course is in a condition which in the Engineer's judgment is unsatisfactory for the direct placement of the subsequent pavement course, a tack coat shall be applied at the applicable rate specified above for the particular pavement surface condition.

In addition to the requirements above, all vertical surfaces of cuts for patches, curbs, edging, utilities, and drainage structures shall receive a thorough tack coat application immediately prior to placing each HMA pavement course.

Tack Inspection.

The asphalt emulsion temperature and application rate shall be periodically measured. If the temperature or application rate is determined to not be in conformance with the specification requirements above, the Contractor shall make appropriate adjustments to the tack application operations.

METHOD OF MEASUREMENT

Item 464., Bitumen for Tack Coat, will be measured by the square yard and the quantity to be measured shall be the actual number of gallons of bitumen for tack coat applied to the as required by the Engineer. Bitumen for Tack Coat, will be paid for at the Contract unit price per gallon which shall include full payment for all labor, materials, equipment, fuel and incidentals to properly complete the work to the satisfaction of the Engineer.

**ITEM 470**

**BIT. CONC. CURB TYPE 2**

**LINEAR FOOT**

The work to be done under this Item shall conform to all the relevant provisions of Section 470 and the following:

This work shall consist of furnishing and placing bituminous concrete curb in accordance with these specifications or as required by the Owner.

Bituminous concrete curb, Class 1, Type 2, shall conform to Commonwealth of Massachusetts SD106.2.0.

On newly constructed roadways, the bituminous concrete curb shall be placed on a bituminous concrete roadway binder course. On existing roadways, the bituminous concrete curb shall be placed on a bituminous concrete pad of top course mix one foot wide by three inches deep at the gutter line in the existing roadway. The bituminous concrete curb shall be placed and compacted by machine. If, at any time before the acceptance of the work, any soft or imperfect spots develop in the exposed surface of the curb, such material placed shall be removed and replaced with new material and compacted, at no additional cost to the Owner.

Payment shall be made for the number of linear feet of bituminous curb placed and accepted by the Owner as determined above at the Contract unit price for ITEM 470.000 as set forth in the Bid. Said price and payment shall be full compensation for all materials, including bituminous concrete curb mix, all labor, tools, equipment, and related work and all else incidental thereto with the exception of the pad for the curb. The bituminous concrete binder course or the bituminous concrete shall be measured and paid for as part of ITEM 460.



the applicable curb item. All granite curbing shall consist of at least ninety percent of six feet minimum lengths unless otherwise required by the Owner.

Granite curb shall be hard, durable, fine to medium grain and free from seams that impair structural integrity. Color shall be light gray, highlighted by black flakes, similar to that installed on recent projects in Waltham. Curb for each location shall be fabricated from the same parent material by one manufacturer to give a uniform appearance. Natural variations characteristic of the deposit will be permitted. The top of the curb shall be polished. The sides shall be cut square, most specifically the top 6" of the face that faces the street.

Cement concrete shall be 2,500 psi, 3/4" stone.

Granite edging shall be set in accordance with the "Commonwealth of Massachusetts Standard Specifications for Highways and Bridges."

A trench shall be excavated to a width of eighteen inches to the bottom of the proposed curb. Unless otherwise required by the Owner, curb shall be set to the lines and grades shown on the plans and fitted together as closely as possible. Curb shall be saw cut, not broken, to required lengths. If requested by the Owner, crusher run shall be added and hand tamped to fill any voids between the undisturbed earth and the bottom of the curb so the curb is supported along two points of its entire length. The center and both ends of each curb length shall be left open for cement concrete. On the day of the curb installation, 6" x 6" beds of cement concrete shall be poured front and back, and the concrete shall flow under the curb. Care shall be taken not to affect the line and/or grade of the curb. Joints between curbstones shall be filled with mortar and exposed surfaces shall be neatly pointed. At completion of work, curb shall be clean and free of cement spills. If curb is not clean, the Owner may request that the curb be pressure washed, at no additional cost to the City.

Care should be taken to avoid placing concrete in areas selected for future placement of trees.

Granite curb to be paid for will be the length actually furnished, set, completed and accepted in accordance with the Specifications and Contract Drawings and as measured along the outer radius of the curb. The quantity of new granite curb corners and inlet stones shall be on a unit basis for the actual number furnished and set in accordance with the Specifications and Contract Drawings.

Payment for granite curb shall be made as determined above at the Contract unit prices for ITEMS 504.-- as set forth in the Bid. Said price and payment shall be full compensation for furnishing and setting new Type VA4 granite curb, furnishing and setting new Type A curb corners, furnishing and setting new inlet stones, all excavation, backfilling, cement concrete, and for furnishing all labor, tools, equipment, etc., and all else incidental to the satisfactory completion of the work included within these items.

**ITEM 520**  
**ITEM 520.1**

**CONCRETE CURB – STRAIGHT**  
**CONCRETE CURB – CURVED**

**LINEAR FOOT**  
**LINEAR FOOT**

The work to be done under this Item shall conform to all the relevant provisions of Section 500 and the following:

The curb shall consist of concrete castings molded in place in sections 6 ft long, 24 in. in depth, 6 in. in width at the top, and 7 in. in width at the bottom and with front vertical face. The top front edge of curb shall be rounded to  $\frac{3}{4}$ -in. radius. The ends of curb sections shall be chamfered  $\frac{1}{4}$  in.

Concrete curb to be paid for will be the length actually furnished, set, completed and accepted in accordance with the Specifications and Contract Drawings and as measured along the outer radius of the curb.

Payment for concrete curb shall be made as determined above at the Contract unit prices for ITEMS 520.-- as set forth in the Bid. Said price and payment shall be full compensation for furnishing and setting new curb, excavation, backfilling, cement concrete, and for furnishing all labor, tools, equipment, etc., and all else incidental to the satisfactory completion of the work included within these items.

**ITEM 580**

**CURB REMOVED AND RESET**

**FOOT**

The work to be done under these Items shall conform to the relevant provisions of Sections 501, 580, and the following:

The work under these items shall include saw cutting existing pavements, excavation, gravel foundation and backfilling, curbing, and cement concrete, as shown on the details. Removal and disposal of existing bituminous or concrete curbing shall be considered incidental to the installation of new curbing, and no separate payment will be made.

All new curb and edging will be paid for under Items 506 whether or not the pieces are curved or straight, no distinction made for curved pieces for payment purposes. Resetting of existing edging, curb inlet stones, splayed end transition stones, and wheelchair ramp transition stones shall be included under Item 580 – Curb Removed and Reset, and no additional payment will be made for the resetting of these curb stones.

All work requiring chamfering or cutting of curb or edging shall be considered incidental and shall be included in the unit bid price of the respective item. All existing curb or edging determined suitable for reuse on the project which is not reset at its present location shall be removed and stacked by the Contractor at a designated location within the City for further reuse on the project at such location or locations as directed by the Engineer. Costs of transporting and stacking all such curb or edging to be re-used on the project shall be included in the Contract bid price for Item 580 – Curb Removed and Reset as applicable.

All existing curb or edging that is not to be re-used on the project shall be transported to a location within City to be identified by the Engineer at no additional cost to the City. Any curb determined by the Engineer to be unsuitable for further reuse shall become the property of the Contractor and be disposed of off the project site by the Contractor without additional compensation.

New or existing curb stones may be used for wheelchair ramp transition curbs. Curbs shall be cut in such a way so that a flush joint is formed where the transition curb meets the adjacent curb at all locations. The length of the transition is to be in accordance with the Massachusetts Architectural Access Board's requirements.

Splayed end transition stones shall be used at vertical curb to sloped edging transitions and shall be as detailed on the plans.

Payment for the above items shall be at the Contract unit price per linear foot, complete in place, which price shall be full compensation for curbing, cutting and chamfering of curb as required, excavation, gravel for foundation and backfill, installation, concrete, and all labor, equipment and materials necessary to complete the work.

**ITEM 697.1**

**SILT SACK**

**EA**

The work to be done under this Item shall conform to the relevant provisions of Sections 670, 767, and the following:

During construction and until disturbed soils are stabilized, sediment control silt sacks shall be installed in catch basins located in areas subject to stormwater runoff from disturbed areas, and where required by the Engineer. Silt sacks shall be installed in accordance with the details shown on the plans and this special provision.

Silt sacks shall be manufactured from a specially designed woven polypropylene geotextile and sewn by a double needle machine, using a high strength nylon thread. Silt sacks shall be manufactured to fit the opening of the catch basin and shall have integral straps or handles to facilitate lifting and emptying the sack. Silt sacks shall also have a marking or other visual means of indicating when the sack should be emptied.

Where the catch basin to be protected has an adjacent curb inlet, the silt sack shall also have an integral foam block insert that will fit into the curb inlet opening to prevent runoff from bypassing the silt sack. The cost of these foam blocks is to be included in the unit cost of the silt sack, no separate payment will be made.

Silt Sack will be measured per each catch basin that has a silt sack installed. Payment for silt sacks will be made at the Contract unit bid price per each, complete and in place, which price shall be full compensation for all labor, equipment and materials necessary to install, inspect, maintain, clean, reinstall, and remove the silt sack until disturbed areas have been stabilized, or until otherwise determined by the Engineer.

<u>ITEM 701</u>	<u>CEMENT CONCRETE SIDEWALK</u>	<u>SQUARE YARD</u>
<u>ITEM 701.1</u>	<u>CEMENT CONCRETE DRIVEWAY</u>	<u>SQUARE YARD</u>
<u>ITEM 701.2</u>	<u>CEMENT CONCRETE WHEELCHAIR RAMP</u>	<u>SQUARE YARD</u>
<u>ITEM 701.3</u>	<u>DETECTABLE TILE SURFACE FOR HANDICAP RAMPS</u>	<u>EACH</u>
<u>ITEM 702</u>	<u>HOT MIX ASPHALT WALK SURFACE</u>	<u>SQUARE YARD</u>
<u>ITEM 703</u>	<u>HOT MIX ASPHALT DRIVEWAY</u>	<u>SQUARE YARD</u>

The work to be done under this Item shall conform to the relevant provisions of Section 701 and the following:

The work under these items shall include saw cutting existing pavements, excavation, fine grading and compacting, placing an 8" gravel foundation, and installing the cement concrete, or hot mix asphalt. Depths of concrete shall be 4 inches (reinforced) in sidewalks and 6 inches (reinforced) in driveways, aprons, wheelchair ramps and roundings and as required by the Owner.

All transverse joints shall be formed with a 1/2" wide by 1" deep jointing tool such as the Marshall Town No. 836 jointing tool or the equivalent. All transverse joints shall be measured and divided equally and separately between the expansion joint distances. Continuous concrete blocks shall be no longer than 30 feet.

Concrete shall have a broom finish. A colored curing agent or retardant approved by the Owner shall be applied to the finished concrete if requested by the Owner. Otherwise, the curing method shall be as prescribed in Section 476.71A of the Mass. Standard Specifications.

The Contractor shall be responsible for the guarding of the wet concrete until it has sufficiently set up in place. The Contractor shall assume responsibility for replacing any concrete that is damaged due to cracking or vandalism. Replacement of concrete including saw cutting, removal and disposal of rejected concrete shall be done at the Contractor's expense with no additional cost to the City. The Contractor maintains responsibility for the concrete for one year after the completion of the entire contract as noted in the Specifications of these documents

In meeting existing sidewalks and driveways in the above areas, the Contractor shall saw cut by mechanical means using an approved power driven saw a neat straight line to permit the new work to blend satisfactorily with contiguous existing surfaces.

Where the existing subbase material is deemed suitable by the Engineer, it may be left in place and re-used. Reclaimed pavement borrow material may be substituted for gravel borrow for sidewalk foundations, where directed by the Engineer, however no additional payment will be made for this substitution.

All wheelchair ramps shall be constructed with detectable warning panels as shown on the Standard Details. Detectable Warning Panels shall be weathered cast iron as manufactured



by Neenah Foundry Company (CATALOG NO. 4984-248, 4984-308, 4984-368) or approved equal. Payment for the detectable warning panels shall be included under Item 701.3 Detectable Tile Surface For Handicap Ramps.

Payment for work under these items shall be made at the unit Contract price per square yard of cement concrete sidewalk, cement concrete wheelchair ramp, HMA walk surface, and HMA driveways, and shall be full compensation for all necessary labor, equipment, and materials required to satisfactorily complete the work including saw cutting, excavation, gravel borrow, and fine grading and compacting.

**ITEM 711**                                      **BOUND REMOVED AND RESET**                                      **EACH**

This work shall consist of resetting existing stone bounds to new lines and grades as required by the Owner.

Cement concrete for stone bounds shall be 3000 psi with ¾ inch stone.

All excavation shall be done by hand. Prior to excavation at least three accurate ties shall be made to the stone bound, witnessed and approved by the Owner. Points shall be in locations that will not be disturbed by other construction operations until the bound has been set.

After each stone bound has been set in place and backfilled, the Contractor will mark the exact survey point in the presence of the Owner and drill a hole of approximately three-eighth inch diameter to a depth of approximately one-half inch deep.

If, as a result of negligence by the Contractor, ties are lost or deemed unreliable by the Owner, it will be the responsibility of the Contractor to hire a Registered Professional Land Surveyor to conduct a survey to replace such points. The cost of the surveyor and all equipment, materials and manpower shall be paid by the Contractor at no additional cost to the City.

Measurement for stone bound frame and cover shall be for the number of bounds reset as determined from actual count by the Owner.

Payment for stone bounds removed and reset shall be made for the number of stone bounds reset and accepted as determined above at the Contract unit price for ITEM 711.000 as set forth in the Bid. Said price and payment shall be full compensation for all materials including gravel and concrete, for all excavation, backfilling, tools, labor, and all else incidental thereto.

**ITEM 711.1**                                      **STONE BOUND FRAME AND COVER**                                      **EACH**

This work shall consist supplying and installing a cast iron cover over an existing stone bound where there is a change in grade as required by the Owner.

Cover shall be S208-6 as supplied by LeBaron Foundry Inc., Brockton, Massachusetts or an approved equal.

All excavation shall be done by hand. Covers shall be installed on undisturbed earth with the cover set to the level of the finished grade.

If, as a result of negligence by the Contractor, the stone bound is moved or broken it shall be the responsibility of the Contractor to hire a Registered Professional Land Surveyor to conduct a survey to properly locate the stone bound point and the Contractor shall reset the bound to accurate line and grade. The cost of the replacement, including the surveyor and all equipment, materials and manpower shall be paid by the Contractor at no additional cost to the City.

Measurement for stone bound frame and cover shall be for the number of stone bound frame and cover sets installed and accepted as determined from actual count by the Owner. Payment for stone bound frame and cover shall be made for the number of stone bound frame and cover sets accepted by the Owner as determined above at the Contract unit price for ITEM 711.100 as set forth in the Bid. Said price and payment shall be full compensation for all materials, for all excavation, backfilling, tools, labor, and all else incidental thereto.

**ITEM 751.2**

**LOAM BORROW AND SEEDING**

**SQUARE YARD**

The work to be done under this Item shall conform to the relevant provisions of Sections 751, 765, and the following:

The work under this item shall include placing a minimum of 6" of loam borrow and seeding disturbed areas beyond the edge of pavement and behind curbs and sidewalks, as directed by the Engineer.

All grass areas worked on or disturbed during construction and/or grassed areas shown on the Contract Drawings shall be graded to the necessary depths and covered with loam. The loam shall be fertile natural topsoil loam free from brush, weeds, stumps roots, stones over ½ inch in size, and any other objectionable matter.

The surface to receive seed shall be raked smooth, without pockets, and pleasing to the eye. The area shall be fertilized, limed, seeded, rolled and watered as required to promote satisfactory grass growth. Any areas or parts of areas that fail to show a satisfactory stand of grass within a reasonable amount of time for any reason shall be fertilized and re-seeded until all areas are covered with an adequate acceptable growth of grass. When the grass has grown, the Contractor shall, at the direction of the Owner, make a minimum of at least one lawn cutting. Seeding shall be done only within certain times of the year as determined by the Owner. If seeding is done in the fall season, the acceptance of the work shall not be until the end of the next following growing period.



**ITEM 801.3**  
**ITEM 819.837**

**3" TRAFFIC CONDUIT**  
**LOOP DETECTORS WITH LEAD-IN WIRES**

**SQUARE YARD**  
**SQUARE YARD**

The work to be done under this Item shall conform to the relevant provisions of Section 800 and the following:

This work shall consist of furnishing and installing loop detectors and lead-in wires in areas of resurfacing where the existing loops and lead-ins are removed due to excavation operations. The work shall be done by the Contractor to the satisfaction of the Owner.

The Contractor shall obtain an electrical permit from the City of Waltham Wire Inspector prior to construction. The Contractor shall notify the City of Waltham Wire Inspector 60 days prior to start of work. All traffic signal equipment and related items (such as pavement markings and signs) shall be in place and permission obtained from the City of Waltham Wire Inspector prior to the traffic signal being turned on stop and go operation.

Before starting any installation work, the electrical Contractor shall furnish data sheets and shop drawings on the materials and methods to be used.

In advance of the loop detector installation, the Contractor shall mark, on site, the loop detectors with any changes required by field conditions such as manholes. The loop detector layout shall be inspected and approved by the Owner before the loop detectors are installed.

Loop wire shall be encased in a protected plastic tubing of PVC or polyethylene plastic, IMSA 51-5, 0.25 inch outside diameter, and the wire may have cross-linked polyethylene insulation or it may have THHN/THWN insulation.

Splicing insulator shall be an approved re-enterable rigid body splice kit with a non-hardening sealing compound compatible with the wire insulation.

Splice and Connection: Splicing and connection shall be made in the pull box nearest the roadway loop sensor but not exceeding four loops per pull box. All loops included in a detector group as shown on the plans shall be spliced in a single pull box. Each lead and lead-in connector shall be stripped back and spliced using a pressure type wire connector applied with a crimping tool. Multiple loop sensors shall be identified as detailed on the plans.

Lead-in splicing shall be staggered to prevent contact with each other. Each crimped splice shall be soldered and insulated. The insulation material shall be heat-shrunked polyolefin. The shielded lead-in cable outer jacket and shield shall be stripped back sufficiently to ensure that the shield cannot come into contact with the spliced conductors. Follow the instructions of the kit manufacturer for this procedure when installing the re-enterable splice kit.

**NOTE WELL:** The above splice shall be done on the day of the loop wire installation to prevent the entrance of any moisture into the plastic tubing.

The lead-in conductors shall be connected to the appropriate terminals in the controller cabinet, by using crimped or soldered terminal ends. The heat source for soldering shall be electrical not exceeding 30W capacity.

Testing of Loops: The following test procedure shall be performed in the presence of the Owner before and after the loop sensor is sealed in the pavement as detailed below. The cost of equipment, labor, and materials to perform such testing and similar re-testing following repairs, replacement, or adjustment of any detector within the project area shall be included in the contract unit price for this Item.

After installation of wire loop sensors in the roadway and installation of shielded lead-in connecting the loop sensors to the controller cabinet each loop sensor and lead-in combination shall be tested (at the controller cabinet) for proper installation. The resistance from lead to lead of the same loop shall not exceed three ohms per one thousand feet as measured by a high quality meter suitable for measurements of low resistance in the range of 1 to 6 ohms.

A megohm meter test at 500 volts DC shall be made between the two leads of a loop/lead-in combination temporarily spliced together, but otherwise disconnected from all terminals, and the shield drain wire and the earth ground connection. These resistances shall be at least one hundred megohms. A megohm meter test at 500 volts DC shall be made between lead-in shield and the earth ground rod. This resistance shall be at least one hundred megohms.

The meter used for these tests shall be checked for calibration each day of use by using a resistor block of plus or minus 5% resistors simulating loads of 1 megohm, 20 megohm and 100 megohms. The observed meter reading shall be plus or minus 10% of the nominal resistor load.

If any loop sensor and lead-in combination fails to pass any one of the four tests, it shall be repaired and then re-tested on two occasions at least two weeks apart and then shall pass on each re-test occasion. If the loop sensor lead-in combination does not pass all these re-tests, a new loop sensor and/or lead-in shall be installed, and shall pass these tests, at no additional cost.

After the above tests have been satisfactorily completed, all loop sensor/shielded lead-in inductance shall be measured and a written report of the results shall be filed with the owner and a copy stored with the "box prints" at the intersection.

Measurement for loops furnished, installed and accepted by the Owner shall be the nominal length of the loop detector and lead-in, not the length of wires. Payment for loop detectors and lead-in wires shall be made as determined above at the contract unit price for ITEM

819.837 as set forth in the Bid. Said price and payment shall be full compensation for furnishing and installing all detectors and lead-ins, all associated materials required, all testing of detectors after installation, and all else incidental thereto to complete the work within this item. All work shall be done to the satisfaction and the approval of the Owner.

**ITEM 850**

**TRAFFIC CONTROL**

**LUMP SUM**

The work to be done under this Item shall conform to the relevant provisions of Sections 800, 824, 828, 840, 850 and the following:

The Contractor shall furnish, illuminate, and maintain such signs as directed or as necessary for the safe and/or regulation convenience of traffic; shall provide, erect and maintain barricades, warning lights, etc. as needed or as directed to keep people and vehicles from equipment, obstacles, etc; and take such other reasonable means and precautions as the Engineer or the Owner may direct or as may be needed to prevent damage or injury to persons, vehicles, or other property, and to minimize the inconvenience and danger to the public by his/her occupancy of the street or highway or other areas of work. He/she shall arrange his/her operations and the spaces occupied by him/her, so far as possible, to provide access to property along the street, particularly driveways and entrances, to fire hydrants, manholes, gate boxes, etc., of other utilities. Whenever any equipment obstructs traffic in or to any public street, private driveway or property entrance, the Contractor shall take such means as may be necessary to maintain traffic and access so far as the requirements of this article are applicable, they shall also apply to work in private ways and public and private lands other than streets and highways. The Contractor shall confine his/her occupancy of public or traveled ways to the smallest spaces compatible with efficient performance of the work contemplated by the Contract, and particularly to such limits as may be set out in Drawings or Specifications.

**854.014**

**TEMPORARY PAVING MARKINGS – 4” (PAINTED)**

**LINEAR FOOT**

The work to be done under this Item shall conform to the relevant provisions of Sections 850 and the following:

This work shall including temporary paint for traffic control following pavement milling in locations required by the Owner.

The layout shall be approved by the Owner. Application shall be sufficient to last until the wearing course of pavement has been applied.

Measurement for temporary painted lines shall be for the actual number of linear feet furnished and installed by the Contractor and accepted by the Owner.

Payment for temporary painted lines shall be for the actual linear feet as determined above at the contract unit price for ITEM 854.014 as set forth in the Bid. Said price and payment shall be full compensation for furnishing and placing of all materials, all tools, labor,

equipment and all else incidental to the completion of the work. All work is subject to final approval and acceptance by the Owner.

**854.1**                      **PAVEMENT MARKING REMOVAL**                      **LINEAR FOOT**

The work to be done under this Item shall conform to the relevant provisions of Sections 850 and the following:

Designated pavement markings shall be removed to the fullest extent possible by an approved method. Pavement marking removal methods shall not cause damage to the pavement or cause drastic change in texture, which could be construed as delineation at night, and shall be approved by the Engineer. It is not permissible to paint over existing markings with black paint in lieu of removal. Approved methods include but are not limited to:

1. High pressure air.
2. High pressure water (cold weather use not permitted)
3. Sand blasting,
4. Mechanical devices such as grinders, sanders, scrapers, scarifiers and wire brushes.

Painting over a pavement marking line by use of asphaltic liquids or paints will not be permitted. Conflicting pavement markings shall be removed before any change is made in the traffic pattern. Material deposited on the pavement as a result of removing markings shall be removed as the work progresses. Accumulations of sand or other material, which might interfere with drainage or could constitute a hazard to traffic, will not be permitted.

Any damage to the pavement or surfacing caused by pavement marking removal shall be satisfactorily repaired at no additional cost to the Town. Where the removal operation is being performed near a lane occupied by traffic, a vacuum attachment operating concurrently with the removal operation must be in use. All residue shall be removed immediately from the surface being treated.

<b><u>ITEM 864.040</u></b>	<b><u>PAVEMENT ARROWS AND LEGENDS REFL. WHITE</u></b>	<b><u>SQUARE FOOT</u></b>
	<b><u>(THERMOPLASTIC)</u></b>	
<b><u>ITEM 864.050</u></b>	<b><u>SHARROWS</u></b>	<b><u>EACH</u></b>
<b><u>ITEM 865.1</u></b>	<b><u>CROSS WALKS AND STOP LINES REFL. WHITE</u></b>	<b><u>SQUARE FOOT</u></b>
	<b><u>(THERMOPLASTIC)</u></b>	
<b><u>ITEM 868.040</u></b>	<b><u>4 INCH REFLECTORIZED THERMOPLASTIC LINE</u></b>	<b><u>LINEAR FOOT</u></b>
	<b><u>(WHITE OR YELLOW)</u></b>	

These items of work consists of furnishing materials and the application of ReflectORIZED Pavement Markings in accordance with the Commonwealth of Massachusetts, Department of Public Works, Manual on Uniform Traffic Control Devices, current edition.

Materials shall be as specified under the particular payment item being used and shall meet the appropriate requirements specified in the following MassDOT subsections of Division III, Materials:

General Requirements for Paints and Protective Coatings	M7.00.00
White Thermoplastic Reflectorized Pavement Markings	M7.01.03
Yellow Thermoplastic Reflectorized Pavement Markings	M7.01.04
White Traffic Paint	M7.01.05
Yellow Traffic Paint	M7.01.06
Glass Beads	M7.01.07
White High Heat Rapid Drying Traffic Marking Material	M7.01.08
Yellow High Heat Rapid Drying Traffic Marking Material	M7.01.09
Fast Drying White Traffic Paint	M7.01.10
Fast Drying Yellow Traffic Paint	M7.01.11
Striping Powder	M7.01.12
Preformed Permanent Plastic Pavement Markings or Legends	M7.01.18
Thermoplastic Pavement Marking Compound, Alkyd	M7.01.20
Green Pavement Coatings	M7.01.21

All equipment used for the application of pavement markings shall be of standard commercial manufacture. All other equipment and devices necessary for the application of the pavement markings and protection thereof and for the protection to the traveling public shall be usually required for work of this type and shall be furnished by the Contractor.

The pavement marking equipment shall be operated at the speed and in accordance with other requirements of the manufacturer, unless otherwise directed by the Engineer.

Truck mounted equipment is approved for the application of pavement markings except in such cases where in the Engineer's judgment travel will be unreasonably delayed and/or the quality of the work performed by the machine unsatisfactory.

A schedule of pavement marking operations shall be furnished by the Contractor for the approval of the Engineer prior to the application of any pavement markings. This schedule must be in the office of the Engineer 7 days prior to the proposed date of application of any pavement markings.



Pavement markings shall be applied as follows:

Material	Material Application Temperature	Line Thickness	Reflectorized Bead Application
M7.01.05	115°F-125°F	15 mils	6 lbs/gal
M7.01.06	115°F-125°F	15 mils	6 lbs/gal
M7.01.08	180°F-195°F	15 mils	6 lbs/gal
M7.01.09	180°F-195°F	15 mils	6 lbs/gal
M7.01.10	40°F-120°F	15 mils	6 lbs/gal
M7.01.11	40°F-120°F	15 mils	6 lbs/gal
M7.01.03	400°F-425°F	128-188 mils	1#10 SF Drop on
M7.01.04	400°F-425°F	125-188 mils	1 #10 SF Drop on

No thinners shall be used for the above listed pavement marking application except in accordance with the manufacturer's specifications and at the direction of the Engineer.

No paint or pavement marking material shall be heated above the temperature marked on the container.

Markings shall be applied only in seasonable weather and in accordance with good painting practices. The surface shall be dry and free of sand, grease, oil or other foreign substances prior to the application. The Contractor shall prepare the surface to accept the application as part of this item, with no additional compensation. The Engineer will make the final determination for all of the foregoing.

Bituminous concrete pavements shall have been in place for 48 hours prior to the application of pavement markings except preformed permanent plastic pavement markings which can be applied immediately. When it is necessary to expedite the flow of traffic, the Engineer may reduce the waiting period as deemed necessary.

If for any reason material is spilled or tracked on the roadway, or any markings applied by the Contractor, in the Engineer's judgment, fail to conform to Layout of Work, because of deviation from the desired pattern, the Contractor shall remove such material by a method that is injurious to the roadway surface and is acceptable to the Engineer, clean the roadway surface and prepare the surface for a reapplication of markings and reapply the markings as directed without additional compensation for any of the foregoing corrective operations.

The ambient (air) temperature for thermoplastic application is to be a maximum of 45°F and rising at the time of marking operations. If work has started and air temperatures fall below 45°F and continuous cooling is indicated, work shall be stopped. In cool weather conditions,

temporary drops down to 40°F will be tolerated, providing temperatures also vary upwards. Sustained striping (greater than one hour) at 40°F shall not be allowed. Starting work at air temperatures lower than 45°F shall not be allowed.

Markings shall remain protected until sufficiently dry to bear traffic on roadways that are open to traffic. Markings shall be protected by traffic cones of not less than 28" in height except in case of markings which cure to a no track condition in 180 seconds or less in the latter case protection may be provided by a convoy of vehicles with suitable warning devices to warn overtaking or oncoming traffic that the pavement marking operation is in progress.

**A. Broken Lines.**

On tangents and on curves of 1000 foot radius or greater at least 1 cone shall be placed on every other bar. On curves of less than 1000 foot radius 1 cone shall be placed one very bar unless otherwise directed by the Engineer.

**B. Solid Lines.**

On tangents and on curves of 1000 foot radius or greater, cones shall be spaced not over 80 feet apart and on curves of less than 1000 foot radius the spacing shall be not over 50 feet unless otherwise directed by the Engineer. On edge line adjacent to the median wider spacing may be used at the direction of the engineer. In order to control the proper positioning of the cones during the drying period, the Contractor shall assign sufficient personnel as determined by the Engineer. Such control is dependent on traffic density, cone widths, etc.

All warning signs and traffic control devices as required shall be in accordance with MassDOT Section 850. Work under this item may be suspended, at the discretion of the Engineer, during peak traffic hours or at any other time when, in his judgement, traffic is being unduly hampered or delays by the work, under this item.

Markings are to be paid for on the actual length of lines applied under the various items of the Contract. The lengths of solid lines will be obtained by:

1. Calculation from established base line stations or
2. Use of a measuring wheel or
3. Vehicle odometer readings.

The length of broken lines (except for broken lines less than 10 feet, the actual length shall be used) will be obtained by using ¼ of the results obtained above for the solid lines. Patterns, other than lines, are to be paid for by the square foot area under the item in the Contract.

Sharrows shall be applied to the dimensions shown on the City of Waltham Engineering Dept Standard Details.

The work under these items will be paid for at the contract unit price under each item of the Contract based on the measurements as determined by the Engineer.

The contract prices shall include all material, labor and equipment required or incidental to the satisfactory completion of the work.

**ITEM 870.0**                      **PORTABLE MESSAGE BOARD**                      **DAY**

Portable message boards shall conform to the relevant provisions of Section 6F.52 of the Federal Highway Administration Manual on Uniform Traffic Devices. Message boards shall be solar powered, capable for displaying three alternating messages of three lines, eight characters per line.

Measurement for each Portable Message Board shall be per day whenever boards are required and accepted by the Owner. Payment for Portable Message Boards shall be as determined above at the contract unit prices for ITEM 870.000 as set forth in the Bid. Said price and payment shall be full compensation for furnishing equipment and programming, locating and relocating message boards as required by the Owner. All work is subject to final approval and acceptance by the Owner.

**ITEM 999**                      **UNIFORMED POLICE DETAILS**                      **SQUARE YARD**

The Contractor shall provide such uniformed police officers (outside their regular tour of duty) as the Owner shall deem necessary to avoid, so far as reasonably possible, damage to the safety of persons and substantial interference with the free circulation of traffic. When so required by the Owner, the Contractor shall make all arrangements in obtaining police assistance. The Contractor shall pay the amount due for such assistance to the City of Waltham. The Contractor shall then be reimbursed by the City of Waltham. Police details may be arranged by calling (781) 314- 3604.

Uniformed officers required for purposes other than public safety and / or control of traffic shall not be eligible for payment. Details billed to the Contractor due to cancellation of work will not be eligible for payment.

If uniformed policemen are required for traffic control, as determined by the Owner, the Contractor shall arrange for the police detail by contacting the Police Department at least 24 hours in advance of the time the detail will be required. The Contractor will be responsible for coordinating with the Police Department when details are required.

All bills for police details must be paid in full by the Contractor before reimbursement is made by the City of Waltham. Only bills stamped "PAID" by the City Treasurer's Office will be accepted by the Owner.

The Contractor shall pay to any police officer employed by him the prevailing rate of wage to special duty police officers (MGL Chapter 149, §34B). The quantity on the Bid form for

ITEM 999.001 is an estimate for funding and bid comparison purposes. Payment to the Contractor for special duty police will be made at the rate established by the Waltham Police Department.

Payment shall be made by the Contractor within 30 days of billing. Failure to pay an outstanding bill within 30 days may result in a penalty charge to the Contractor for late payment. There will be no reimbursement for any penalties or late charges that may be assessed against the Contractor for late payment. Furthermore, the Owner will accept no further requests for payment if police detail bills are more than 30 days in arrears.

The Contractor will not be reimbursed for any detail that he fails to cancel when it is not required (work does not proceed as scheduled or due to inclement weather, etc.) Reimbursement will be entered in the next estimate for payment.

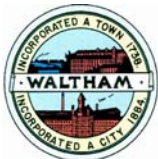
Reimbursement shall be made on all bills stamped "PAID" by the City of Waltham Treasurer's Office and presented to the Owner less any amount for unnecessary details not canceled by the Contractor when required.

Payment for special duty police will be made on a dollar for dollar basis as determined above for ITEM 999 as set forth in the Bid. Said price and payment shall be full compensation for furnishing all special duty police

END OF SECTION

## GENERAL UTILITY PERMITTING REQUIREMENTS:

1. UTILITY PERMIT APPLICATION PACKAGES MAY BE OBTAINED FROM THE CONSOLIDATED PUBLIC WORKS OR ENGINEERING DEPARTMENTS. THE APPLICATION PACKAGE CAN ALSO BE FOUND ONLINE AT THE FOLLOWING ADDRESS:  
HTTPS://WWW.CITY.WALTHAM.MA.US/ENGINEERING.
2. ALL UTILITY PERMIT APPLICATIONS SHALL BE SUBMITTED TO THE CONSOLIDATED PUBLIC WORKS DEPARTMENT FOR PROCESSING. WORK MAY NOT BEGIN UNTIL THE UTILITY PERMIT APPLICATION HAS BEEN APPROVED.
3. COMMENTS AND NOTES FROM THE CITY WRITTEN ON THE FRONT PAGE OF THE PERMIT APPLICATION AND/OR THE PLANS SHALL BE CONSIDERED REQUIREMENTS OF THE PERMIT AND ALL WORK MUST CONFORM TO SUCH ADDITIONAL REQUIREMENTS.
4. A CONTRACTOR PERFORMING WORK WITHIN ANY PUBLIC OR PRIVATE RIGHT-OF-WAY SHALL FIRST MEET THE REQUIREMENTS AND SUCCESSFULLY BE PLACED ON THE "APPROVED CONTRACTORS LIST" WITH THE CONSOLIDATED PUBLIC WORKS DEPARTMENT.
5. PRIOR TO ANY EXCAVATION THE CONTRACTOR MUST CONTACT "DIG SAFE" -811 OR CUSTOMER SERVICE - (888) 344-7233 PER M.G.L. CHAPTER 82 SECTION 40.
6. THE CITY OF WALTHAM IS NOT APART OF "DIG SAFE." CONTRACTOR MUST CONTACT WATER & SEWER DEPARTMENT AND WIRES DEPARTMENT FOR EXISTING UTILITIES MARK OUTS 72 HOURS PRIOR TO EXCAVATION.
7. APPLICANT MUST COORDINATE INSPECTIONAL SERVICES WITH THE CONSOLIDATED PUBLIC WORKS DEPARTMENT 72 HOURS IN ADVANCE OF ANY WATER, SEWER, OR DRAINAGE WORK, BOTH PUBLIC OR PRIVATE. CPW: 781-314-3800.
8. ANY WORK COMPLETED WITHOUT INSPECTION WILL NOT BE ACCEPTED BY THE CITY.
9. IN ADDITION TO THE UTILITY PERMIT: ALL WORK WITHIN A PUBLIC OR PRIVATE RIGHT-OF-WAY SHALL REQUIRE A STREET OPENING PERMIT ISSUED BY THE CONSOLIDATED PUBLIC WORKS DEPARTMENT. ALL EXCAVATION WORK ON PRIVATE PROPERTY SHALL REQUIRE A TRENCH PERMIT ISSUED BY THE BUILDING DEPARTMENT.
10. ALL WORK SHALL CONFORM TO THE APPROVED DESIGN PLANS AND THE CITY OF WALTHAM STANDARD DETAILS OF CONSTRUCTION. STANDARD DETAILS OF CONSTRUCTION ARE AVAILABLE ONLINE AT THE FOLLOWING ADDRESS:  
HTTPS://WWW.CITY.WALTHAM.MA.US/ENGINEERING
11. AS-BUILT PLANS MUST BE NEATLY GENERATED AND SUBMITTED TO, AND APPROVED BY THE CITY ENGINEER PRIOR TO THE ISSUING OF A CERTIFICATE OF OCCUPANCY.



CITY OF WALTHAM, MA  
ENGINEERING DEPARTMENT

STANDARD DETAILS

GENERAL PERMITTING  
REQUIREMENTS

SHEET 1

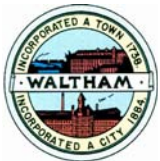
DETAIL NO:  
PR.1

SCALE:  
N.T.S.

REV. DATE:  
OCT. 2020

## GENERAL CONSTRUCTION NOTES:

1. A CONTRACTOR PERFORMING WORK WITHIN ANY PUBLIC OR PRIVATE RIGHT-OF-WAY SHALL FIRST MEET THE REQUIREMENTS AND SUCCESSFULLY BE PLACED ON THE "APPROVED CONTRACTORS LIST" WITH THE CONSOLIDATED PUBLIC WORKS DEPARTMENT.
2. PRIOR TO ANY EXCAVATION THE CONTRACTOR MUST CONTACT "DIG SAFE" -811 OR CUSTOMER SERVICE - (888) 344-7233 PER M.G.L. CHAPTER 82 SECTION 40.
3. THE CITY OF WALTHAM IS NOT APART OF "DIG SAFE." CONTRACTOR MUST CONTACT WATER & SEWER DEPARTMENT AND WIRES DEPARTMENT FOR EXISTING UTILITIES MARK OUTS 72 HOURS PRIOR TO EXCAVATION.
4. CONTRACTOR MUST COORDINATE INSPECTIONAL SERVICES WITH THE CONSOLIDATED PUBLIC WORKS DEPARTMENT 72 HOURS IN ADVANCE OF ANY WATER, SEWER, OR DRAINAGE WORK (PUBLIC OR PRIVATE).
5. WORK WITHIN ANY PUBLIC OR PRIVATE RIGHT OF WAY SHALL BE LIMITED TO MONDAY THROUGH FRIDAY 7:00AM TO 7:00PM. WORK SHALL NOT BE PERMITTED OUTSIDE OF THESE TIMES OR ON SATURDAYS, SUNDAYS, OR HOLIDAYS UNLESS WRITTEN APPROVAL IS OBTAINED FROM THE DIRECTOR OF PUBLIC WORKS AND THE CHIEF OF POLICE.
6. IN ADDITION TO THE ABOVE RESTRICTIONS, NO WORK IS ALLOWED ON THE FOLLOWING "RESTRICTED" STREETS BETWEEN THE HOURS OF 7:00AM-9:00AM AND 4:00PM-6:00PM: BACON ST, BEAR HILL RD, BEAVER ST, HIGH ST, LEXINGTON ST, LINDEN ST, MAIN ST, MAPLE ST, MOODY ST, NEWTON ST, PINE ST, PROSPECT ST, RIVER ST, SECOND AVE, SMITH ST, SOUTH ST, STOW ST, TOTTEN POND RD, TRAPELO RD, WAVERLY OAKS RD, WESTON ST, WINTER ST, AND WYMAN ST.
7. CONTRACTOR IS SOLELY RESPONSIBLE FOR ALL SAFETY PRECAUTIONS AND PROGRAMS IN CONNECTION WITH ALL WORK INCLUDING BUT NOT LIMITED TO SAFETY BARRIERS, SIGNS, BARRELS, AND THE LIKE, AS REQUIRED BY THE CONDUCT OF THE WORK FOR THE PROTECTION OF WORKERS AND NON-WORKERS ALIKE. THE CONTRACTORS ATTENTION IS DIRECTED TO THE MOST CURRENT OSHA REQUIREMENTS.
8. CONTRACTOR SHALL COORDINATE WITH THE POLICE DEPARTMENT PRIOR TO PERFORMING WORK WITHIN ANY PUBLIC OR PRIVATE RIGHT-OF-WAY OR IN AREAS SUBJECT TO VEHICULAR TRAFFIC.
9. CONTRACTOR IS RESPONSIBLE TO MAINTAIN TRAFFIC FLOW IN A MANNER SATISFACTORY TO THE CITY OF WALTHAM.
10. ALL CONSTRUCTION SIGNING SHALL CONFORM TO THE REQUIREMENTS OF MASSDOT AND MUTCD.



CITY OF WALTHAM, MA  
ENGINEERING DEPARTMENT

STANDARD DETAILS

DETAIL NO:  
GN.1

GENERAL NOTES

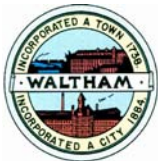
SCALE:  
N.T.S.

SHEET 1

REV. DATE:  
OCT. 2020

## GENERAL CONSTRUCTION NOTES:

11. CONTRACTOR SHALL BE RESPONSIBLE FOR ANY SETTLEMENT AND MAINTAIN ALL TRENCH PAVEMENT AND / OR SURFACE RESTORATION FOR A PERIOD OF 1 YEAR.
12. ALL CONSTRUCTION MATERIAL, DEBRIS, ASPHALT, SOIL, ETC. THAT IS REMOVED FROM THE SITE SHALL BE HANDLED AND DISPOSED OF IN ACCORDANCE WITH ALL FEDERAL, STATE, AND LOCAL REGULATIONS.
13. CONTRACTOR SHALL TAKE SPECIAL CARE NOT TO DAMAGE TREES WITHIN THE SITE INCLUDING DAMAGE TO ROOT SYSTEMS FROM EXCAVATION.
14. CONTRACTOR IS RESPONSIBLE TO NOTIFY AND COORDINATE SUPPORT WITH OWNERS OF UTILITY POLES WITHIN 10 FEET OF THE PROPOSED EXCAVATION OR AS DIRECTED BY THE CITY.
15. CONTRACTOR IS RESPONSIBLE TO NOTIFY AND COORDINATE SUPPORT WITH OWNERS OF ANY UTILITY OF WHICH THE PROPOSED WORK WILL ENCROACH UPON OR UNDERMINE.
16. MATERIALS SHALL NOT BE STOCKPILED WITHIN THE RIGHT-OF-WAY OR IN PUBLIC PARKING AREAS.
17. EQUIPMENT SHALL NOT BE PARKED OR STORED WITHIN THE RIGHT-OF-WAY OR IN PUBLIC PARKING AREAS WHEN NOT IN USE.
18. DAMAGE TO ANY UTILITY WILL BE REPAIRED BY THE CONTRACTOR, AT THE CONTRACTOR'S EXPENSE, IN A TIMELY MANNER SO THAT DISRUPTION OF SERVICE TO ANY UTILITY WILL NOT BE LONGER THAN PRACTICALLY NECESSARY TO REPAIR THE DAMAGE.
19. CONTRACTOR SHALL NOT OPERATE ANY VALVES, HYDRANTS, OR OTHER APPURTENANCES OF THE CITY WATER SYSTEM.
20. CONTRACTOR SHALL BE RESPONSIBLE FOR PREVENTING ANY DEBRIS, SEDIMENT, OR SILTY WATER FROM ENTERING ANY DRAINAGE SYSTEM DURING ALL PHASES OF CONSTRUCTION.
21. CONTRACTOR SHALL BE RESPONSIBLE FOR RESETTING ALL EXISTING PROPERTY MONUMENTATION THAT IS DISTURBED BY THEIR OPERATIONS. THIS WORK IS TO BE DONE BY A PROFESSIONAL LAND SURVEYOR REGISTERED IN THE COMMONWEALTH OF MASSACHUSETTS.
22. THE CONTRACTOR'S ATTENTION IS DIRECTED TO THE GENERAL DRAIN, WATER, SEWER, ROADWAY, AND EROSION CONTROL NOTES ALONG WITH DETAILS INCLUDED IN THIS PACKET FOR FURTHER INFORMATION.



CITY OF WALTHAM, MA  
ENGINEERING DEPARTMENT

STANDARD DETAILS

DETAIL NO:  
GN.2

GENERAL NOTES

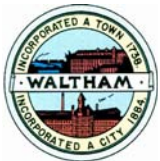
SCALE:  
N.T.S.

SHEET 2

REV. DATE:  
OCT. 2020

## GENERAL DRAINAGE NOTES:

1. ALL PROPOSED DRAINAGE PIPE LOCATED WITHIN THE RIGHT-OF-WAY SHALL BE REINFORCED CONCRETE PIPE WITH SUFFICIENT COVER TO SUPPORT H<sub>2</sub>O LOADING.
2. CATCH BASIN LATERALS AND MAINS SHALL HAVE A MINIMUM PIPE DIAMETER OF 12 INCHES.
3. ALL PROPOSED DRAINAGE STRUCTURES SHALL BE PRECAST CONCRETE STRUCTURES.
4. ALL STRUCTURES LOCATED WITHIN THE RIGHT-OF-WAY SHALL BE CAPABLE OF SUPPORTING H-20 LOADING.
5. ALL DRAINAGE MANHOLES AND CATCH BASINS SHALL BE A MINIMUM OF 4 FEET IN DIAMETER. ALL CATCH BASINS SHALL HAVE A MINIMUM 4 FOOT SUMP.
6. CATCH BASIN GUTTER INLETS ARE TO BE USED ONLY AT THE DIRECTION OF THE CITY ENGINEER. GUTTER INLETS SHALL NOT BE PLACED OVER EXISTING CITY OWNED UTILITIES.
7. ALL CATCH BASINS OR SUMP STRUCTURES SHALL UTILIZE A TRAP / HOOD ON ALL OUTLET PIPES. STRUCTURES LOCATED WITHIN THE RIGHT-OF-WAY OR ON COMMERCIAL SITES SHALL HAVE A CAST IRON TRAP / HOOD. STRUCTURES LOCATED ON RESIDENTIAL SITES MAY UTILIZE SCH-40 PVC.
8. IF CONNECTING INTO ANY EXISTING STRUCTURE, THE EXISTING STRUCTURE SHALL BE MADE FREE OF DEBRIS UPON COMPLETION OF THE WORK REGARDLESS OF EXISTING CONDITION.
9. ALL PIPE CONNECTIONS TO STRUCTURES WITHIN THE RIGHT-OF-WAY SHALL BE CORED. FOR RCP CONNECTIONS A WATERTIGHT SEAL SHALL BE MADE USING HYDRAULIC CEMENT NO SHRINK GROUT. FOR ALL OTHER PIPE MATERIALS A FLEXIBLE WATERTIGHT CONNECTION SHALL BE USED.
10. CATCH BASIN TO CATCH BASIN CONNECTIONS WILL NOT BE PERMITTED.
11. ALL PRIVATE SUBSURFACE INFILTRATION SYSTEMS SHALL BE INSTALLED PER MANUFACTURER'S SPECIFICATIONS ALONG WITH ANY ADDITIONAL REQUIREMENTS GIVEN BY THE CITY DURING PERMIT REVIEW.
12. CRUSHED STONE USED WITHIN ALL SUBSURFACE INFILTRATION SYSTEMS SHALL BE DOUBLE WASHED AND SHALL BE 3/4-INCH OR LARGER AS NOTED IN THE SYSTEM DESIGN.
13. FOR RESIDENTIAL DRAINAGE DESIGN, ALL STRUCTURE OUTLET PIPES SHALL HAVE A MINIMUM DIAMETER OF 6 INCHES. ALL PIPING UNDERNEATH DRIVEWAYS OR AREAS REASONABLY EXPECTED TO RECEIVED VEHICULAR TRAFFIC SHALL BE SCH-40 PVC OR GREATER. PIPES OUTSIDE OF SUCH AREAS MAY BE SCH-20 PVC.



CITY OF WALTHAM, MA  
ENGINEERING DEPARTMENT

STANDARD DETAILS

DETAIL NO:  
DR.0

DRAINAGE

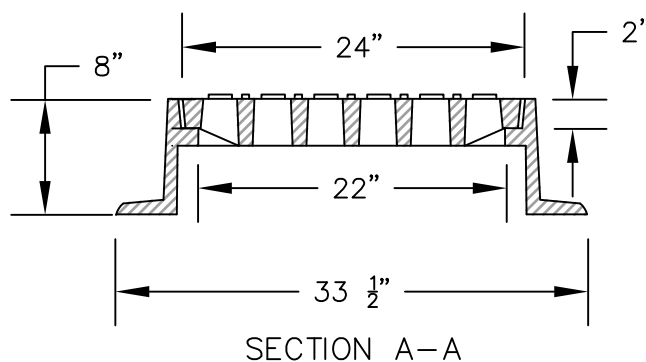
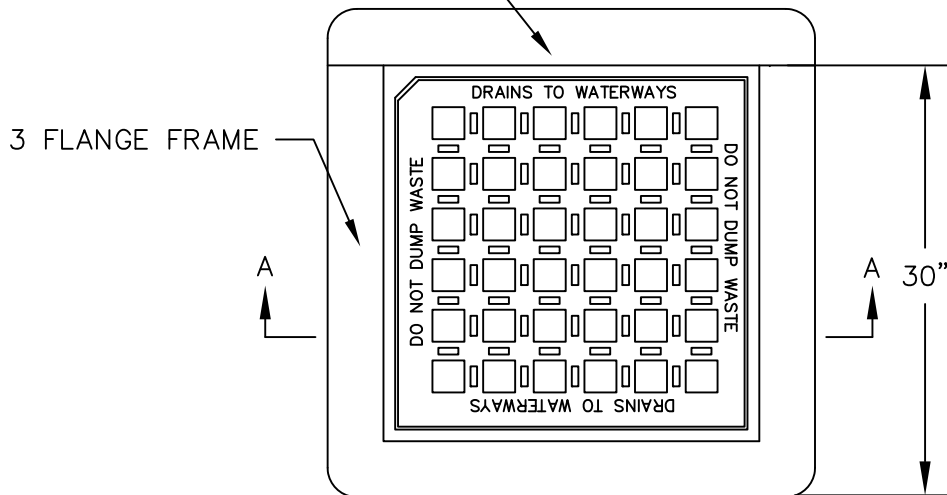
SCALE:  
N.T.S.

GENERAL  
DRAINAGE NOTES

REV. DATE:  
OCT. 2020

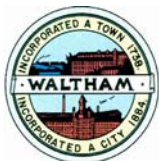


4 FLANGE AVAILABLE  
(SEE NOTE BELOW)



NOTES:

1. FRAME EJ CATALOG NO. 5546Z  
GRATE EJ CATALOG NO. 5520M5  
OR APPROVED EQUAL.
2. 3 FLANGE FRAMES TO BE USED WHERE INLET IS ADJACENT TO CURB STONES, 4 FLANGE FRAME TO BE USED ELSEWHERE.
3. "DO NOT DUMP WASTE, DRAINS TO WATERWAYS" SHALL BE FORGED INTO THE GRATE.



CITY OF WALTHAM, MA  
ENGINEERING DEPARTMENT

STANDARD DETAILS

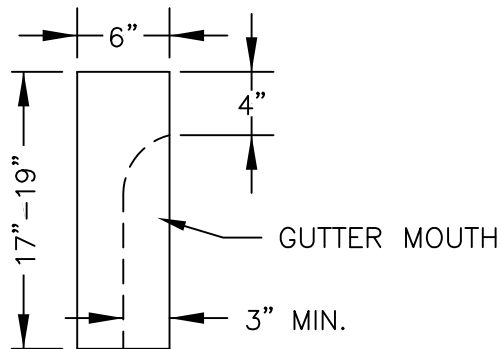
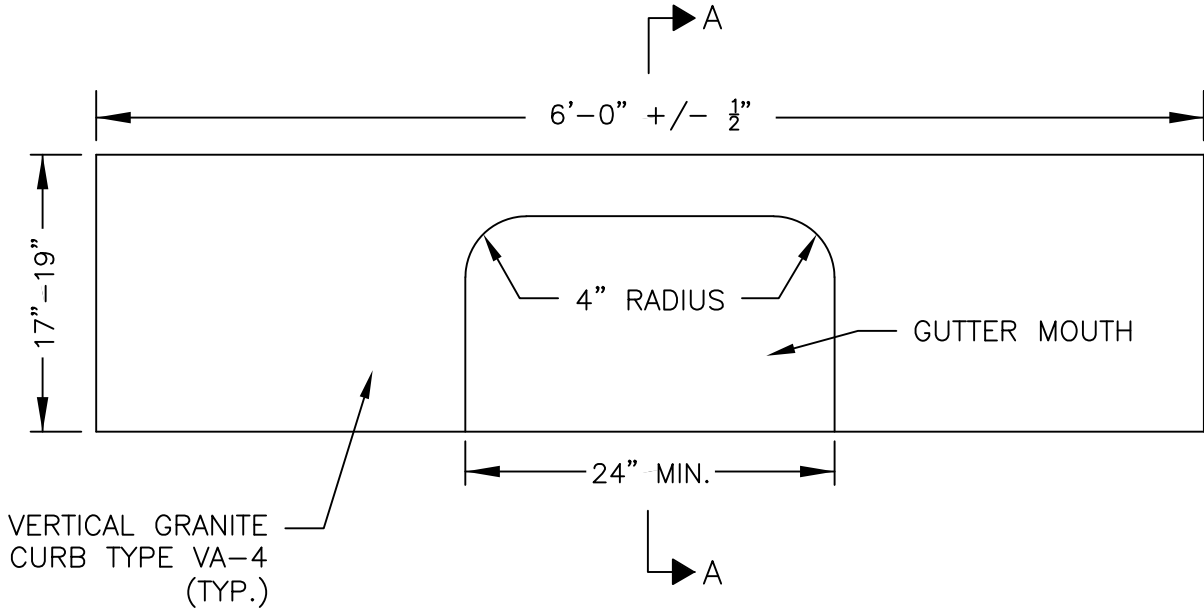
DETAIL NO:  
DR.2

DRAINAGE

SCALE:  
N.T.S.

CATCH BASIN  
FRAME & GRATE

REV. DATE:  
OCT. 2020

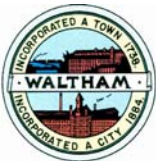


SECTION A-A

NOTES:

1. REFER TO DETAIL RS.2 FOR ADDITIONAL REQUIREMENTS TO SET INLET STONE.
2. PRECAST CONCRETE INLET STONES MAY BE USED ONLY IF AUTHORIZED IN WRITING BY THE CITY ENGINEER.

DWG FILE:S:\CAD\Standard Details\Details\DR.4 - Granite Curb Inlet.dwg



CITY OF WALTHAM, MA  
ENGINEERING DEPARTMENT

STANDARD DETAILS

DETAIL NO:  
DR.4

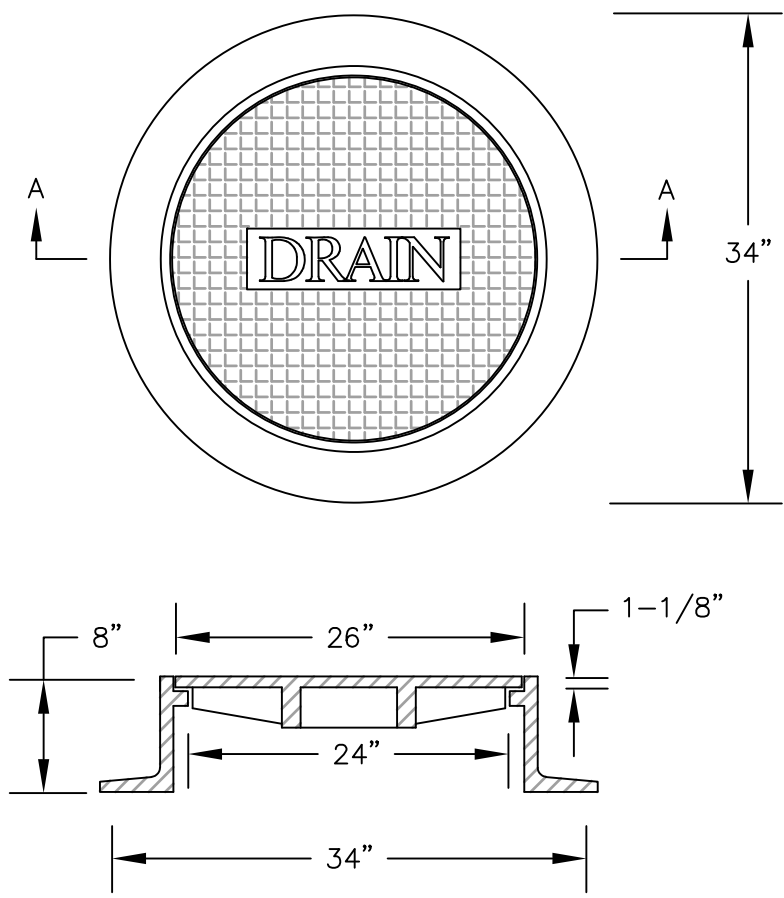
DRAINAGE

SCALE:  
N.T.S.

GRANITE CURB INLET

REV. DATE:  
OCT. 2020

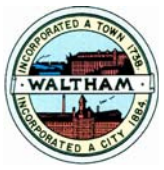
DWG FILE: S:\CAD\Standard Details\Details\DR.6 - Drain Manhole Frame & Cover.dwg



SECTION A-A

NOTES:

FRAME EJ CATALOG NO. 12462  
COVER EJ CATALOG NO. 1248A  
OR APPROVED EQUAL.



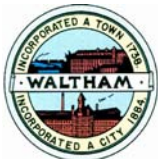
CITY OF WALTHAM, MA  
ENGINEERING DEPARTMENT

STANDARD DETAILS	DETAIL NO: DR.6
DRAINAGE	SCALE: N.T.S.
DRAIN MANHOLE FRAME & COVER	REV. DATE: OCT. 2020

## GENERAL ROADWAY & SIDEWALK NOTES:

1. ALL WORK WITHIN ANY PUBLIC OR PRIVATE RIGHT-OF-WAY SHALL REQUIRE A STREET OPENING PERMIT ISSUED BY THE CONSOLIDATED PUBLIC WORKS DEPARTMENT.
2. ALL EXCAVATIONS SHALL BE MADE SAFE FOR VEHICULAR TRAFFIC AT THE END OF EACH WORKDAY.
3. ALL TRENCHES AND EXCAVATIONS SHALL BE SAWCUT. NO OTHER METHOD OF CUTTING PAVEMENT SHALL BE ACCEPTABLE.
4. ALL TRENCHES SHALL BE COMPACTED BY MECHANICAL EQUIPMENT. ALL TRENCHES SHALL BE COMPACTED TO 95% OF MODIFIED PROCTOR DENSITY. THE CONTRACTOR SHALL FURNISH MATERIAL SLIPS ALONG WITH SIEVE ANALYSIS AND PROCTOR TESTING INFORMATION FOR ALL MATERIAL USED WITHIN THE RIGHT-OF-WAY UPON REQUEST BY THE DIRECTOR OF PUBLIC WORKS.
5. THE CONTRACTOR SHALL PATCH ALL TRENCHES WITH PERMANENT PATCH AT THE CONCLUSION OF WORK. ALL JOINTS SHALL BE SEALED AND SANDED IMMEDIATELY AFTER COMPLETION OF TRENCH PATCH. REFER TO DETAIL RS.1. THE CONTRACTOR SHALL BE RESPONSIBLE FOR TRENCH SETTLEMENT FOR A PERIOD OF 1 YEAR AFTER COMPLETION OF THE PERMANENT TRENCH PATCH.
6. THE USE OF STEEL PLATES IN THE ROADWAY IS SUBJECT TO APPROVAL BY THE DIRECTOR OF PUBLIC WORKS. THE CONTRACTOR SHALL EXECUTE WORK IN A MANNER THAT WILL LIMIT THE USE OF STEEL PLATES TO BE LEFT IN THE ROADWAY OVERNIGHT.
7. ALL STEEL PLATES TO BE LEFT IN THE ROADWAY SHALL BE SHIMMED AND PINNED IN PLACE AND ALL EDGES SHALL BE COLD PATCHED, SEE DETAIL RS.17.
8. THE CONTRACTOR SHALL RESET AND ADJUST ALL UTILITY STRUCTURES LOCATED WITHIN PAVING AREA TO FINAL GRADE. SEE DETAIL RS.16.
9. THE CONTRACTOR SHALL REPLACE AND REPAIR SIDEWALKS WITH LIKE MATERIAL OF THE EXISTING SIDEWALK. CONTRACTOR SHALL REPLACE FULL PANELS OF CONCRETE SIDEWALKS.
10. ALL TRAFFIC STRIPING DISTURBED BY THE CONTRACTOR SHALL BE REPLACED UPON COMPLETION OF THE WORK.
11. ALL TRAFFIC MARKINGS SHALL BE THERMOPLASTIC WITH REFLECTORIZED TREATMENT.

DWG FILE: S:\CAD\Standard Details\Details\RS.0 - General Roadways & Sidewalk Notes.dwg



CITY OF WALTHAM, MA  
ENGINEERING DEPARTMENT

STANDARD DETAILS

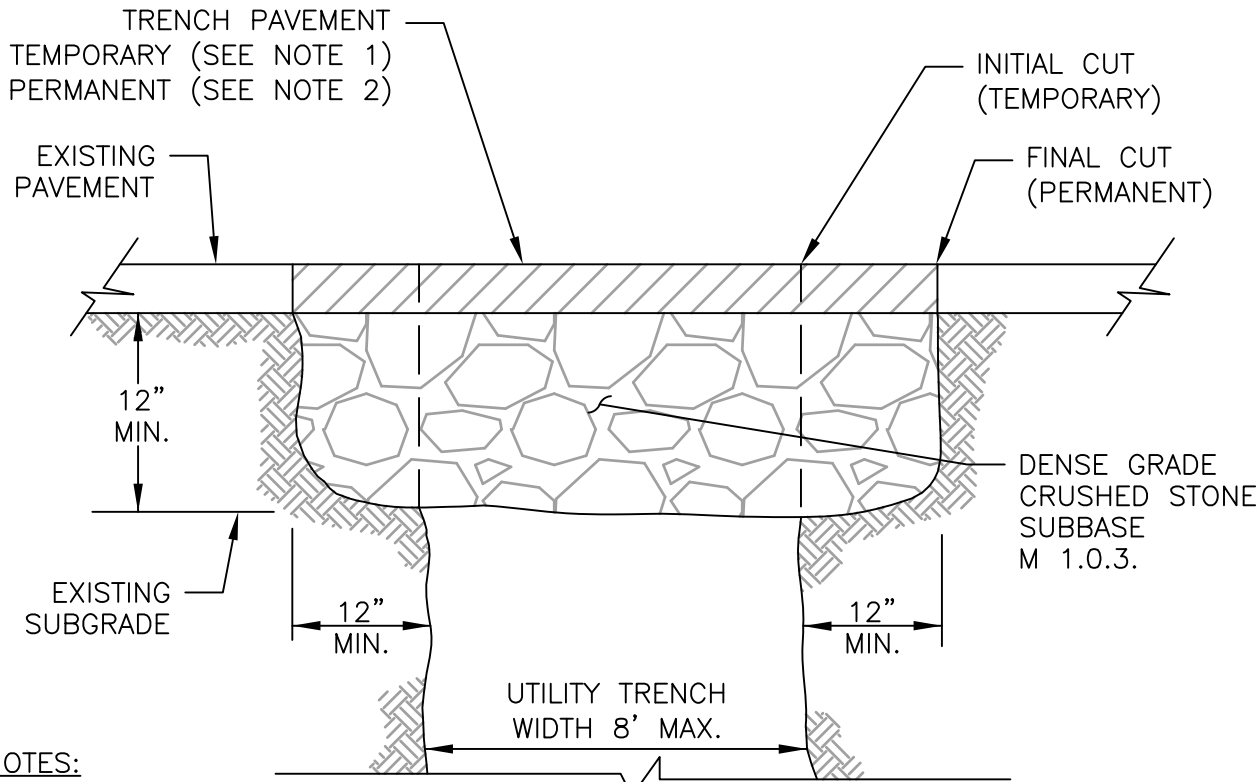
DETAIL NO:  
RS.0

ROADWAYS & SIDEWALKS

SCALE:  
N.T.S.

GENERAL ROADWAY &  
SIDEWALK NOTES

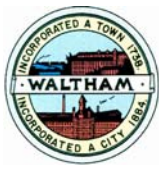
REV. DATE:  
OCT. 2020



**NOTES:**

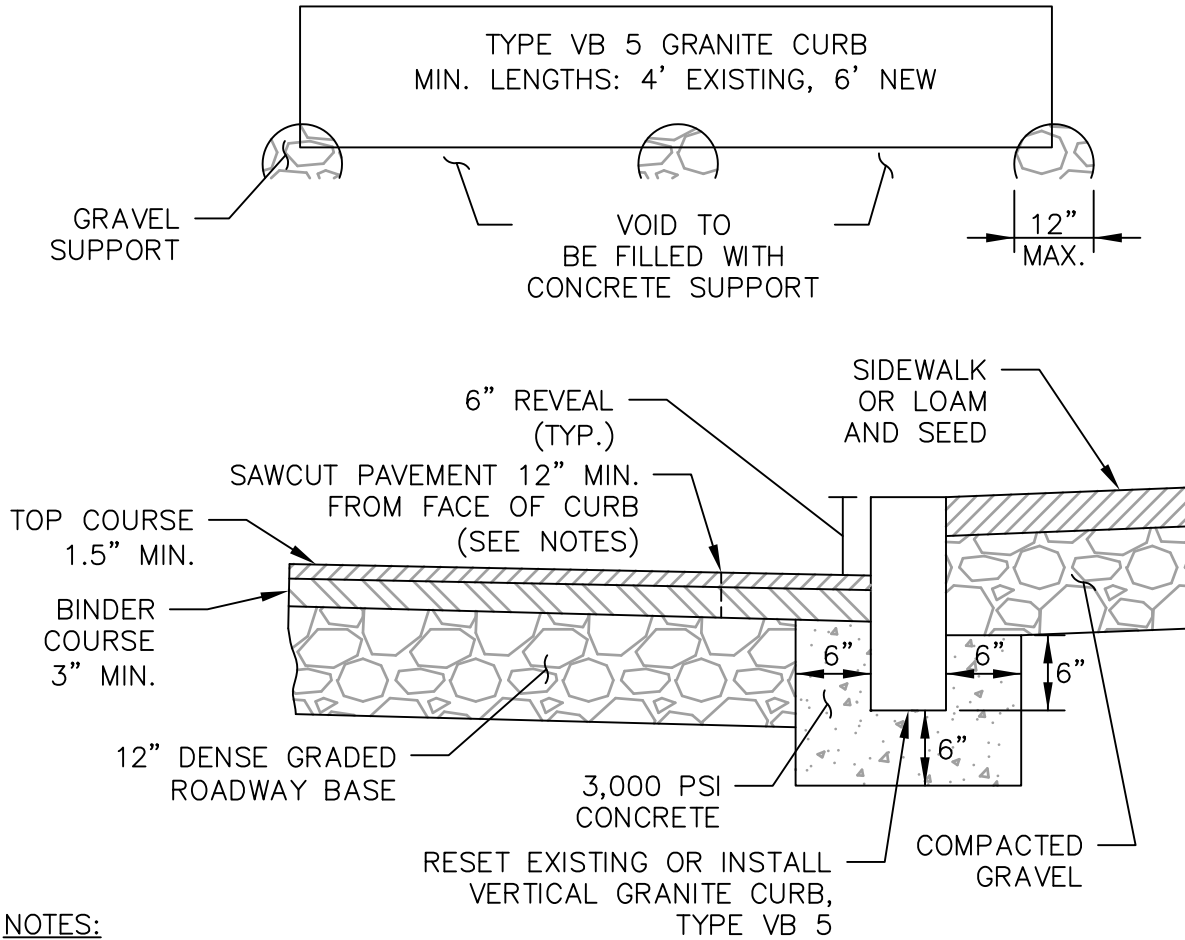
1. TEMPORARY TRENCH PAVEMENT: 3" OF HOT MIX ASPHALT TO BE USED AT THE END OF EACH WORK DAY TO STABILIZE TRENCHES. THIS WORK SHALL BE INCLUDED IN THE UNIT PRICE FOR TEMPORARY TRENCH PAVEMENT. THE CONTRACTOR SHALL MAINTAIN THE TEMPORARY TRENCH PAVEMENT THROUGHOUT THE DURATION OF CONSTRUCTION ACTIVITY AT NOT ADDITIONAL COST TO THE CONTRACT.
  
2. PERMANENT TRENCH PAVEMENT: 5" OF HOT MIX ASPHALT TO BE PLACED AND COMPACTED IN TWO SEPARATE LIFTS – 3" BINDER COURSE AND 2" TOP COURSE. IF THE EXISTING PAVEMENT IS GREATER THAN 5" IN DEPTH, THE CONTRACTOR SHALL PLACE PERMANENT TRENCH MATCHING THE DEPTH OF THE EXISTING PAVEMENT. TRENCH EDGE SHALL BE CUT BACK A MINIMUM OF 12" PRIOR TO PLACING THE PERMANENT PAVEMENT. ALL EDGES SHALL BE SANDED AND SEALED. THIS WORK SHALL BE INCLUDED IN THE UNIT PRICE FOR PERMANENT TRENCH PAVEMENT.
  
3. ALL TRENCHES SHALL BE SAW CUT ONLY. NO OTHER METHOD OF CUTTING THE EXISTING PAVEMENT SHALL BE ACCEPTABLE. THIS WORK SHALL BE INCLUDED IN THE ASSOCIATED TRENCH ITEM.

DWG FILE: S:\CAD\Standard Details\Details\RS.1 - Trench Pavement Detail.dwg



CITY OF WALTHAM, MA  
ENGINEERING DEPARTMENT

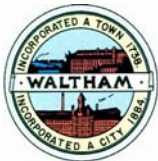
STANDARD DETAILS	DETAIL NO: RS.1
ROADWAYS & SIDEWALKS	SCALE: N.T.S.
TRENCH PAVEMENT	REV. DATE: OCT. 2020



**NOTES:**

1. CONTRACTOR SHALL SAWCUT EXISTING PAVEMENT 12" MIN. FROM THE FACE OF CURB.
2. ALL CURB JOINTS SHALL NOT BE GREATER THAN 1/2". JOINTS SHALL BE POINTED BEFORE THE WEARING COURSE OR PATCH IS PLACED. CURBING SHALL BE WIPED CLEAN IMMEDIATELY AFTER POINTING.
3. IF ROADWAY IS TO BE OVERLAID, ALL CURB WORK AND PLACEMENT OF BINDER COURSE SHALL BE COMPLETED PRIOR TO OVERLAY.
4. WHEN RESETTING OR INSTALLING GRANITE CURBING WITHIN A ROADWAY WITH EXISTING GRANITE CURBING THE CONTRACTOR SHALL MATCH THE AVERAGE REVEAL OF THE EXISTING CURB OR AS DIRECTED BY THE ENGINEER.
5. SEE WHEELCHAIR RAMP DETAILS FOR ADDITIONAL REQUIREMENTS WHEN SETTING CURBING WITHIN ACCESSIBLE AREAS.
6. VERTICAL CONCRETE CURBING MAY BE SUBSTITUTED FOR GRANITE CURBING ONLY WITH WRITTEN PERMISSION FROM THE DIRECTOR OF PUBLIC WORKS.

DWG FILE: S:\CAD\Standard Details\Details\RS.2 - Vertical Granite Curb.dwg



CITY OF WALTHAM, MA  
ENGINEERING DEPARTMENT

STANDARD DETAILS

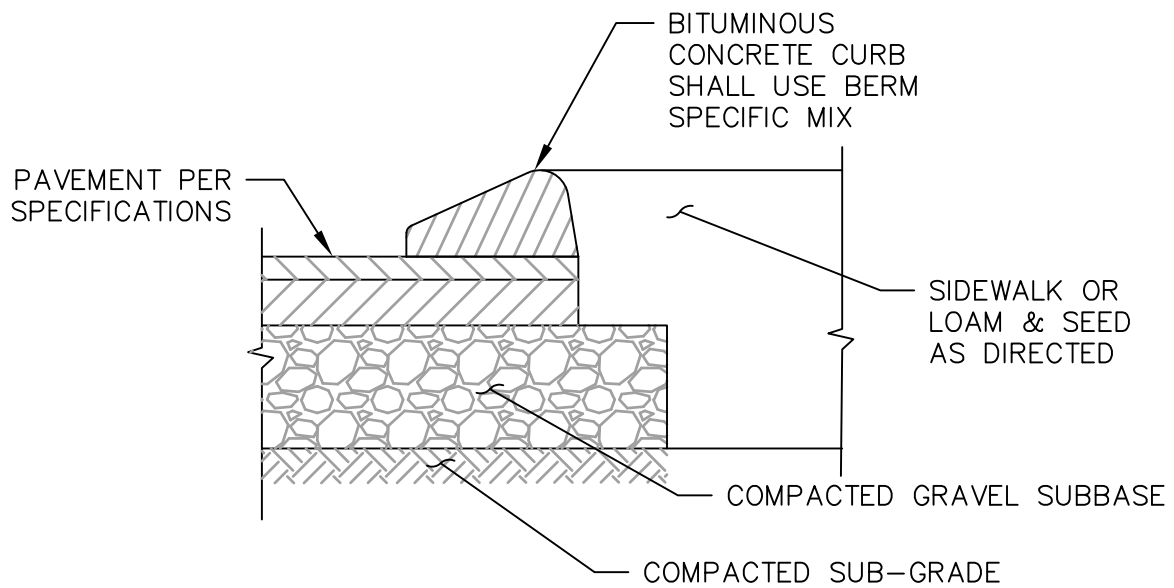
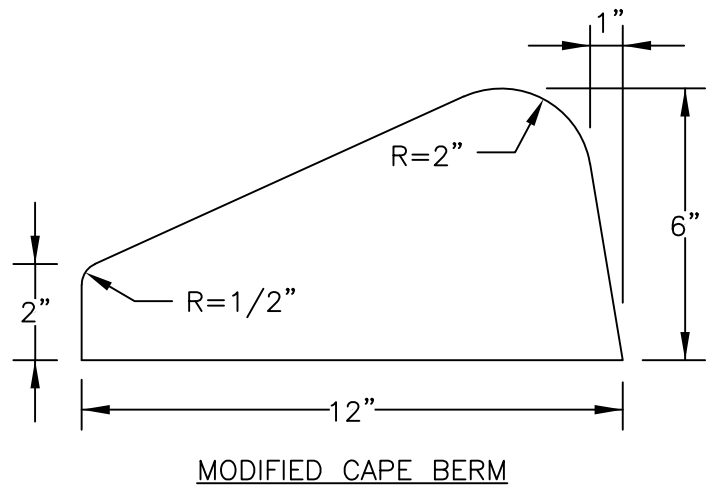
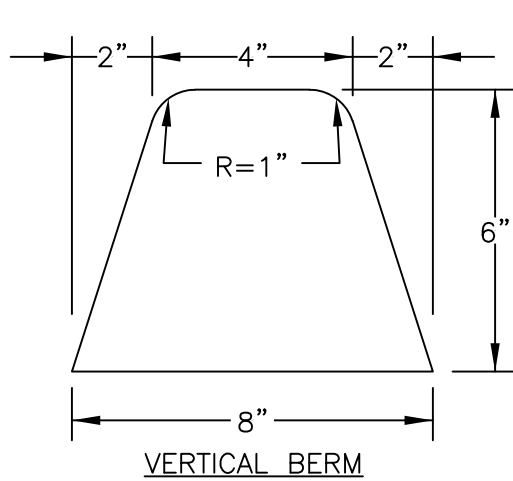
ROADWAYS & SIDEWALKS

VERTICAL GRANITE CURB

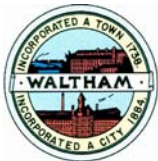
DETAIL NO:  
RS.2

SCALE:  
N.T.S.

REV. DATE:  
OCT. 2020



DWG FILE: S:\CAD\Standard Details\Details\RS.3 - Hot Mix Asphalt Curb.dwg



CITY OF WALTHAM, MA  
ENGINEERING DEPARTMENT

STANDARD DETAILS

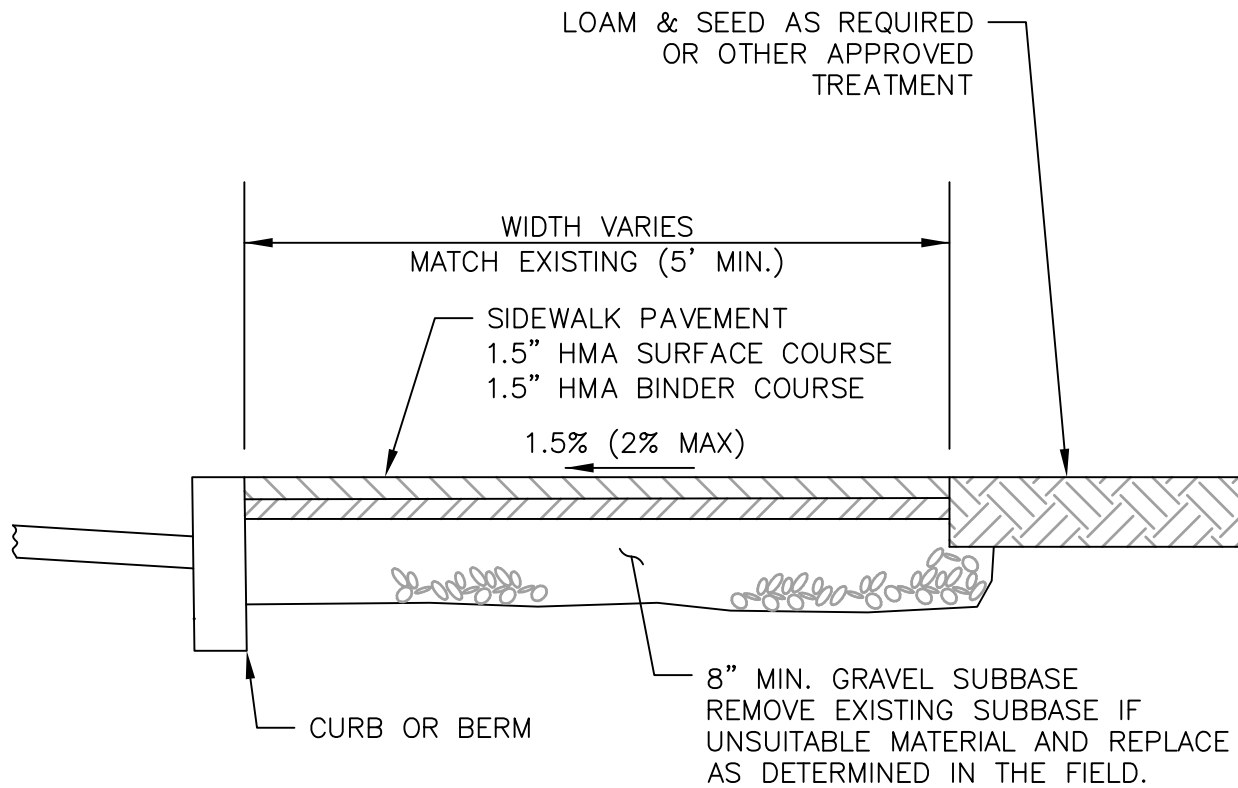
DETAIL NO:  
RS.3

ROADWAYS & SIDEWALKS

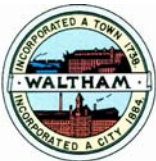
SCALE:  
N.T.S.

HOT MIX ASPHALT CURB

REV. DATE:  
OCT. 2020



DWG FILE: S:\CAD\Standard Details\Details\RS.4 - Hot Mix Asphalt Sidewalk.dwg



CITY OF WALTHAM, MA  
ENGINEERING DEPARTMENT

STANDARD DETAILS

DETAIL NO:  
RS.4

ROADWAYS & SIDEWALKS

SCALE:  
N.T.S.

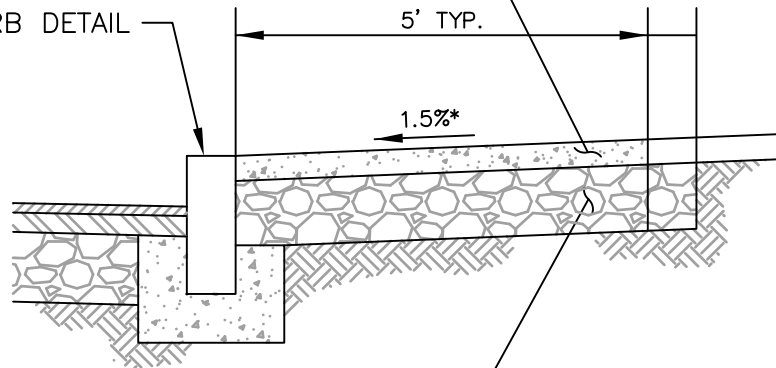
HOT MIX ASPHALT  
SIDEWALK

REV. DATE:  
OCT. 2020



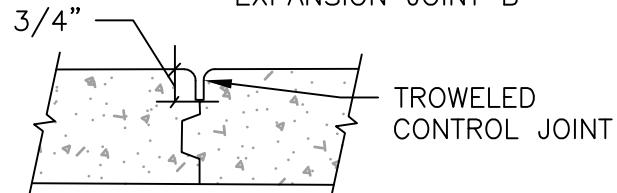
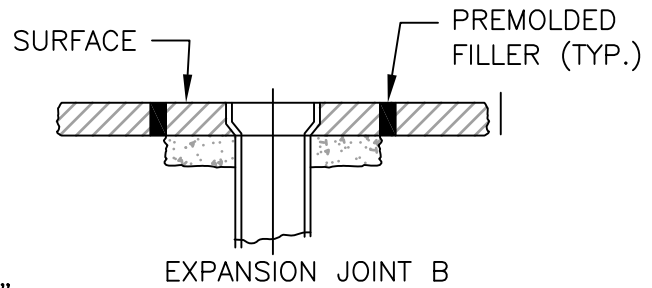
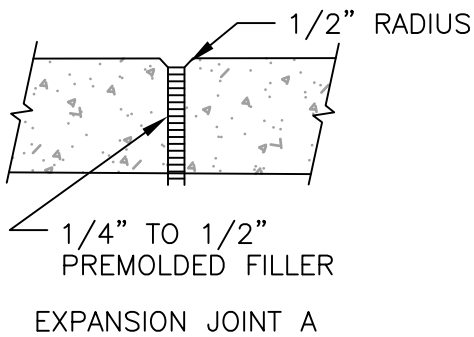
4,000 PSI, 3/4" AGGREGATE, PORTLAND CEMENT WITH LAMP BLACK ADDITIVE  
CONCRETE W/ MEDIUM BROOM FINISH

SEE CURB DETAIL



REMOVE EXISTING SUBBASE IF UNSUITABLE  
AND REPLACE WITH 8" GRAVEL OR RECLAIMED  
MATERIAL AS DETERMINED IN THE FIELD.

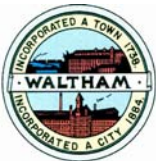
CONCRETE SIDEWALK SECTION



NOTES:

1. SIDEWALK THICKNESS SHALL BE 4" FOR SIDEWALKS AND 6" FOR DRIVEWAYS & WHEELCHAIR RAMPS
2. EXPANSION JOINTS (TYPE A) TO BE PLACED EVERY 20'
3. EXPANSION JOINT B TO BE PLACED AT ALL CASTINGS, SIGNS, STRUCTURES, UTILITY POLES, HYDRANTS, ETC.
4. TROWELED CONTROL JOINTS TO BE PLACED EVERY 5'

DWG FILE:S:\CAD\Standard Details\Details\RS.5 - Cement Concrete Sidewalk.dwg



CITY OF WALTHAM, MA  
ENGINEERING DEPARTMENT

STANDARD DETAILS

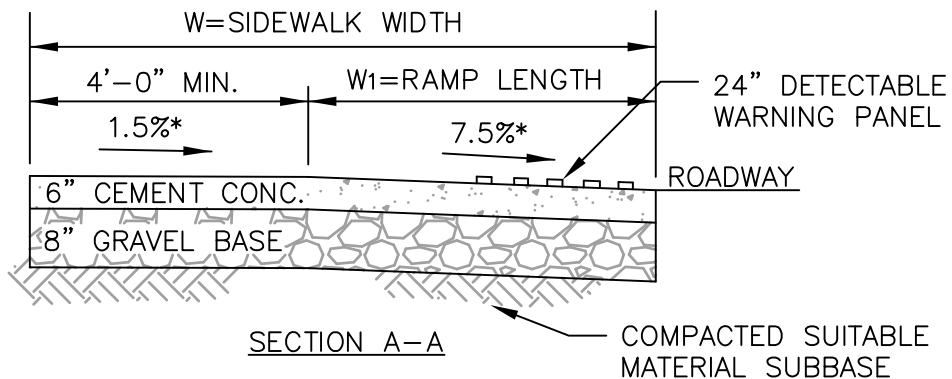
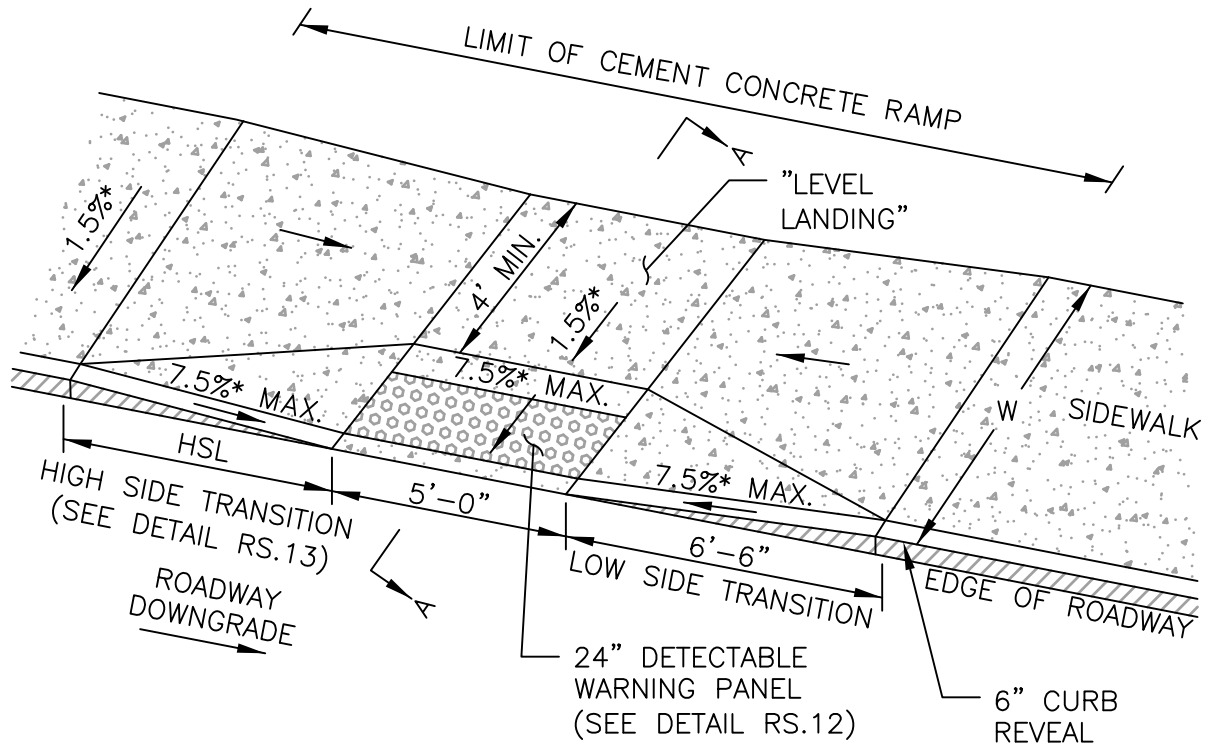
DETAIL NO:  
RS.5

ROADWAYS & SIDEWALKS

SCALE:  
N.T.S.

CEMENT CONCRETE  
SIDEWALK

REV. DATE:  
OCT. 2020



**LEGEND:**

HSL = HIGH SIDE TRANSITION LENGTH (SEE DETAIL RS.13)

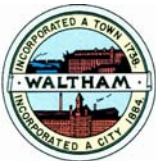
W = SIDEWALK LENGTH

W1 = PERPENDICULAR RAMP LENGTH

\* = CONSTRUCTION TOLERANCE +/- 0.5%

(SEE DETAIL RS.13 FOR ADDITIONAL WHEELCHAIR RAMP NOTES)

DWG FILE: S:\CAD\Standard Details\Details\RS.6 - Wheelchair Ramp Type A.dwg



CITY OF WALTHAM, MA  
ENGINEERING DEPARTMENT

STANDARD DETAILS

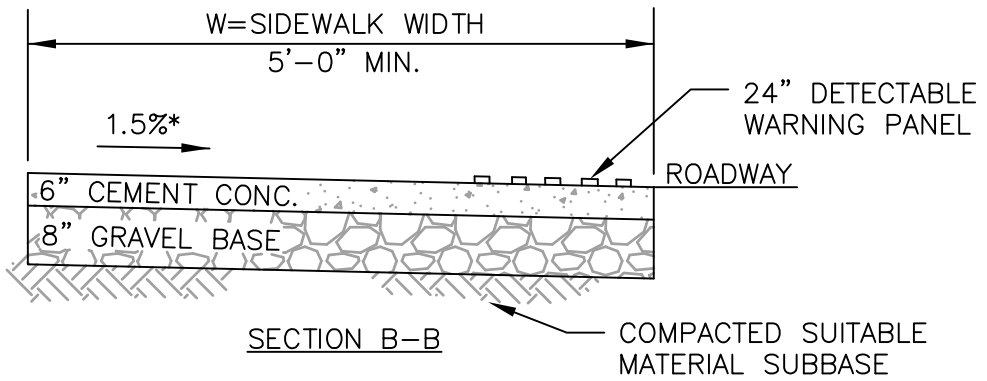
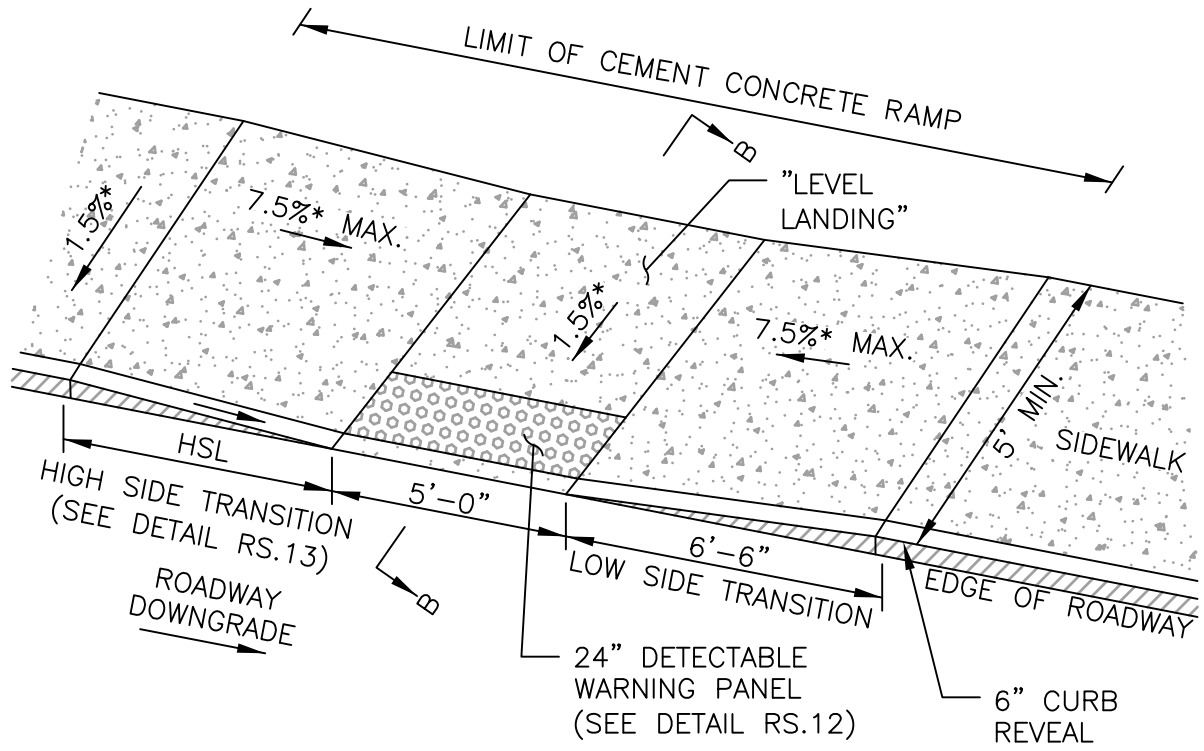
DETAIL NO:  
RS.6

ROADWAYS & SIDEWALKS

SCALE:  
N.T.S.

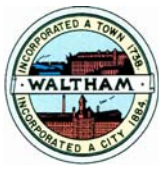
WHEELCHAIR RAMP  
TYPE A

REV. DATE:  
OCT. 2020



**LEGEND:**  
 HSL = HIGH SIDE TRANSITION LENGTH (SEE DETAIL RS.13)  
 W = SIDEWALK LENGTH  
 W1 = PERPENDICULAR RAMP LENGTH  
 \* = CONSTRUCTION TOLERANCE +/- 0.5%  
 (SEE DETAIL RS.13 FOR ADDITIONAL WHEELCHAIR RAMP NOTES)

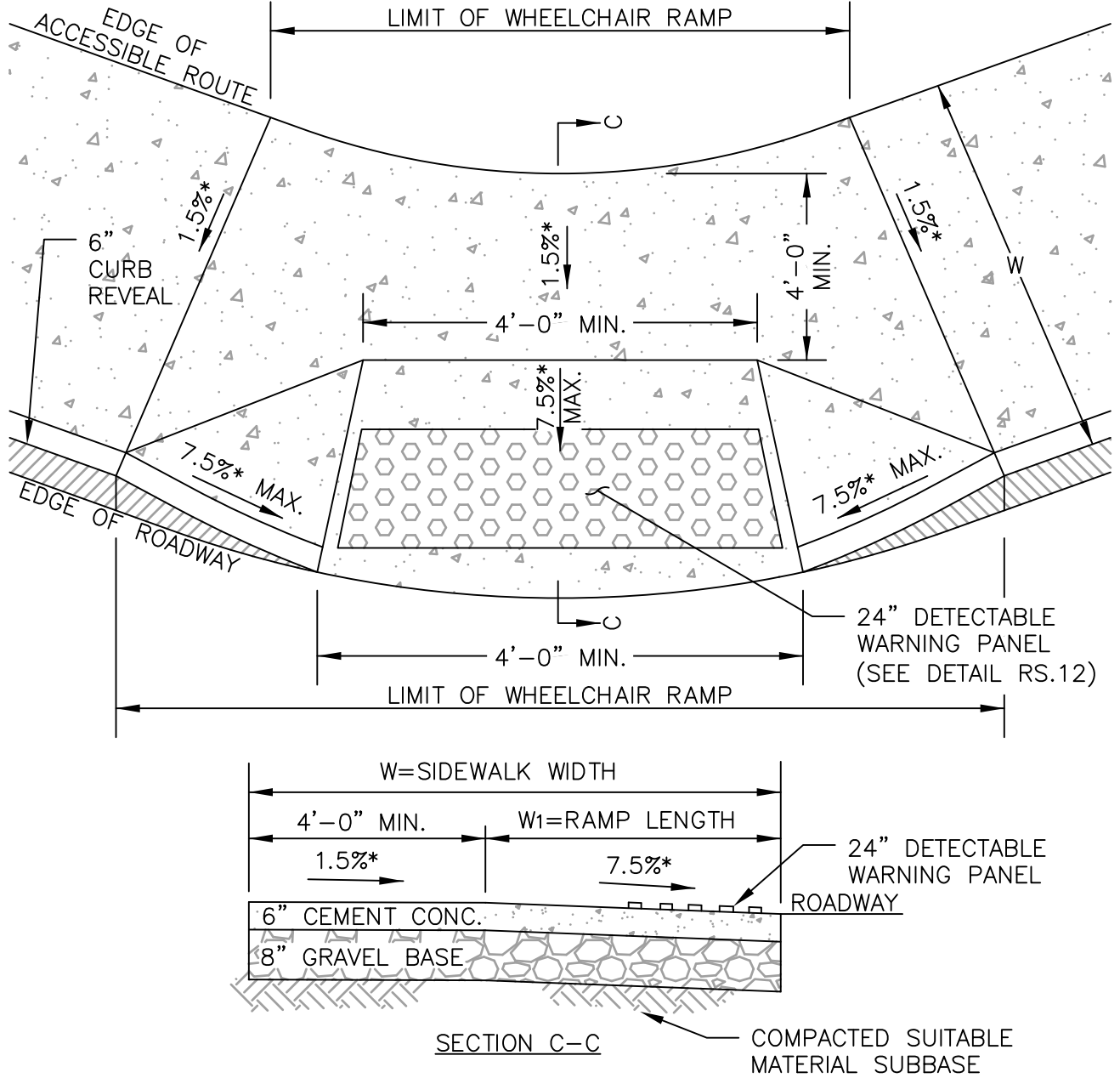
DWG FILE: S:\CAD\Standard Details\Details\RS.7 - Wheelchair Ramp Type B.dwg



CITY OF WALTHAM, MA  
 ENGINEERING DEPARTMENT

STANDARD DETAILS	DETAIL NO: RS.7
ROADWAYS & SIDEWALKS	SCALE: N.T.S.
WHEELCHAIR RAMP TYPE B	REV. DATE: OCT. 2020

DWG FILE: S:\CAD\Standard Details\Details\RS.8 - Wheelchair Ramp Type C.dwg



**LEGEND:**

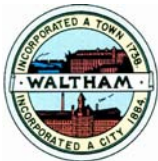
HSL = HIGH SIDE TRANSITION LENGTH (SEE DETAIL RS.13)

W = SIDEWALK LENGTH

W1 = PERPENDICULAR RAMP LENGTH

\* = CONSTRUCTION TOLERANCE +/- 0.5%

(SEE DETAIL RS.13 FOR ADDITIONAL WHEELCHAIR RAMP NOTES)



CITY OF WALTHAM, MA  
ENGINEERING DEPARTMENT

STANDARD DETAILS

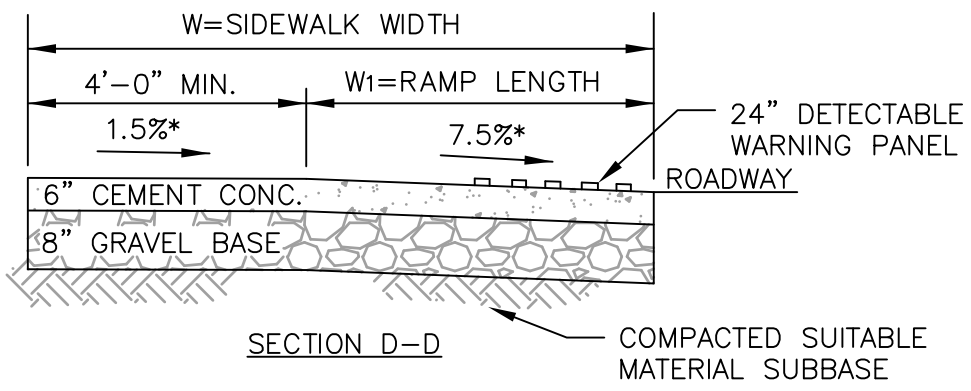
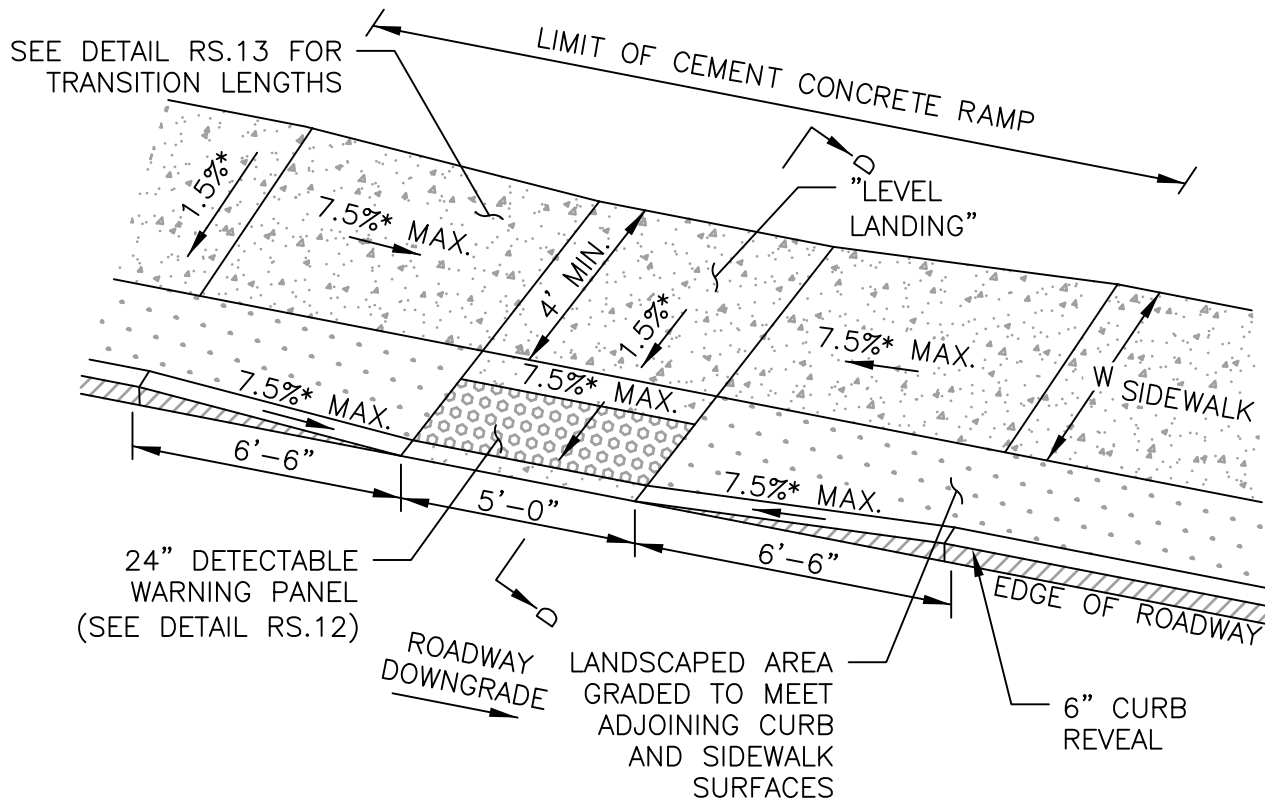
DETAIL NO:  
RS.8

ROADWAYS & SIDEWALKS

SCALE:  
N.T.S.

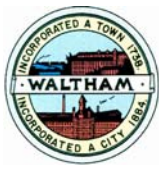
WHEELCHAIR RAMP  
TYPE C

REV. DATE:  
OCT. 2020



**LEGEND:**  
 HSL = HIGH SIDE TRANSITION LENGTH (SEE DETAIL RS.13)  
 W = SIDEWALK LENGTH  
 W1 = PERPENDICULAR RAMP LENGTH  
 \* = CONSTRUCTION TOLERANCE +/- 0.5%  
 (SEE DETAIL RS.13 FOR ADDITIONAL WHEELCHAIR RAMP NOTES)

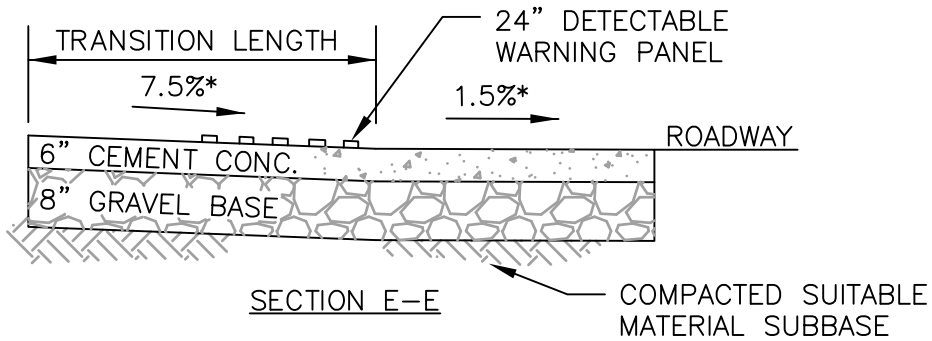
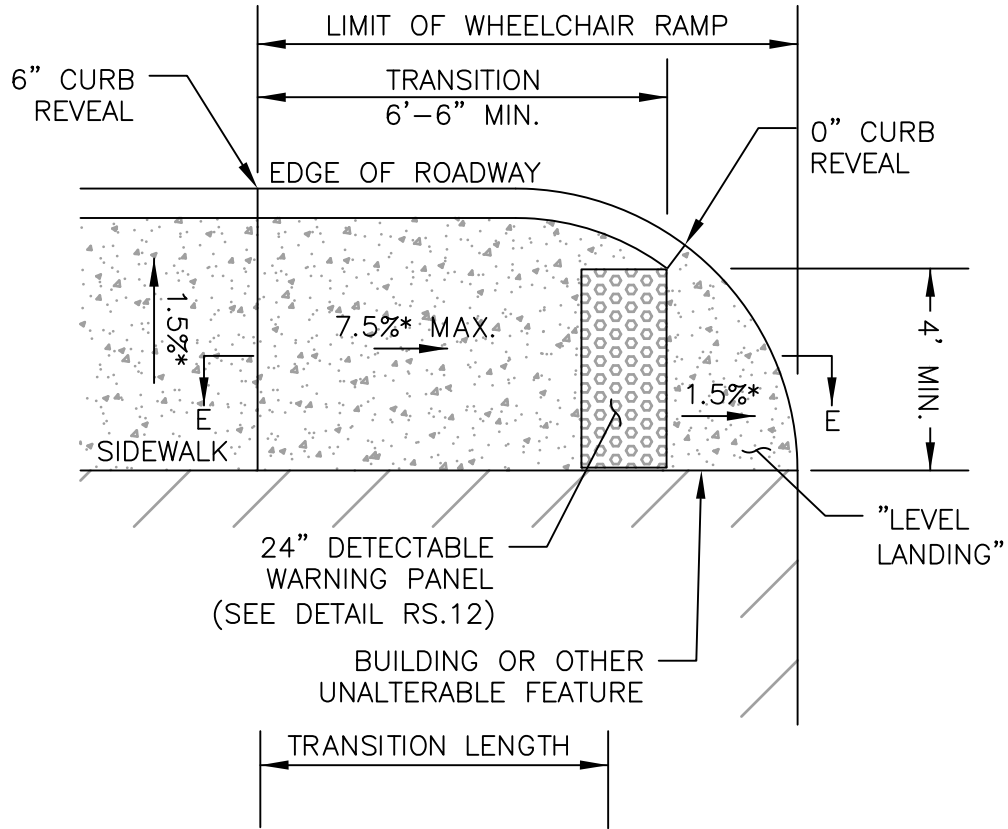
DWG FILE: S:\CAD\Standard Details\Details\RS.9 - Wheelchair Ramp Type D.dwg



CITY OF WALTHAM, MA  
 ENGINEERING DEPARTMENT

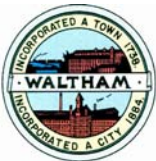
STANDARD DETAILS	DETAIL NO: RS.9
ROADWAYS & SIDEWALKS	SCALE: N.T.S.
WHEELCHAIR RAMP TYPE D	REV. DATE: OCT. 2020

DWG FILE:S:\CAD\Standard Details\Details\RS.10 - Wheelchair Ramp Type E.dwg



**LEGEND:**

\* = CONSTRUCTION TOLERANCE +/- 0.5%  
 (SEE DETAIL RS.13 FOR ADDITIONAL WHEELCHAIR RAMP NOTES)



CITY OF WALTHAM, MA  
 ENGINEERING DEPARTMENT

STANDARD DETAILS

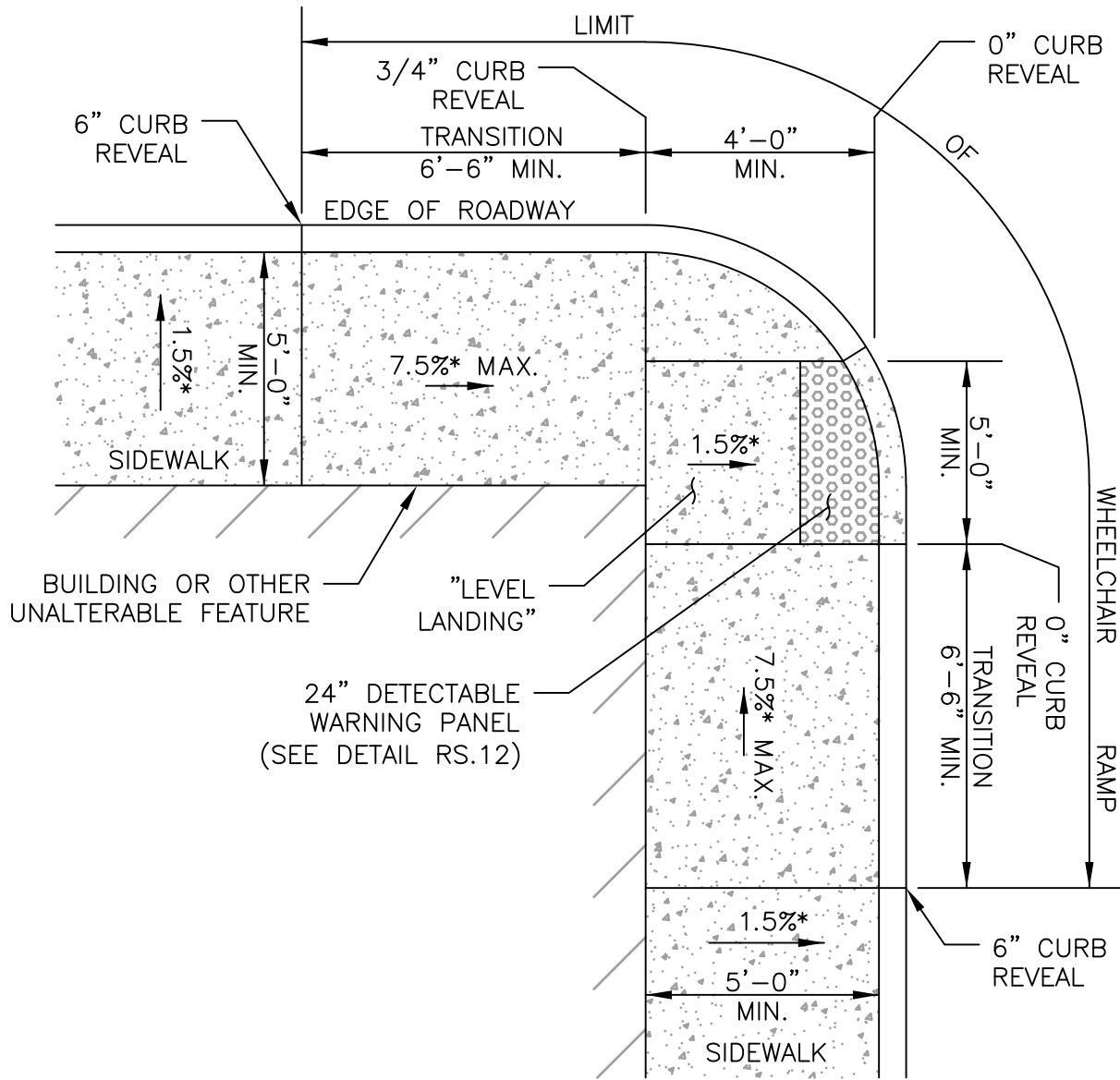
DETAIL NO:  
 RS.10

ROADWAYS & SIDEWALKS

SCALE:  
 N.T.S.

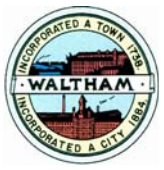
WHEELCHAIR RAMP  
 TYPE E

REV. DATE:  
 OCT. 2020



**LEGEND:**

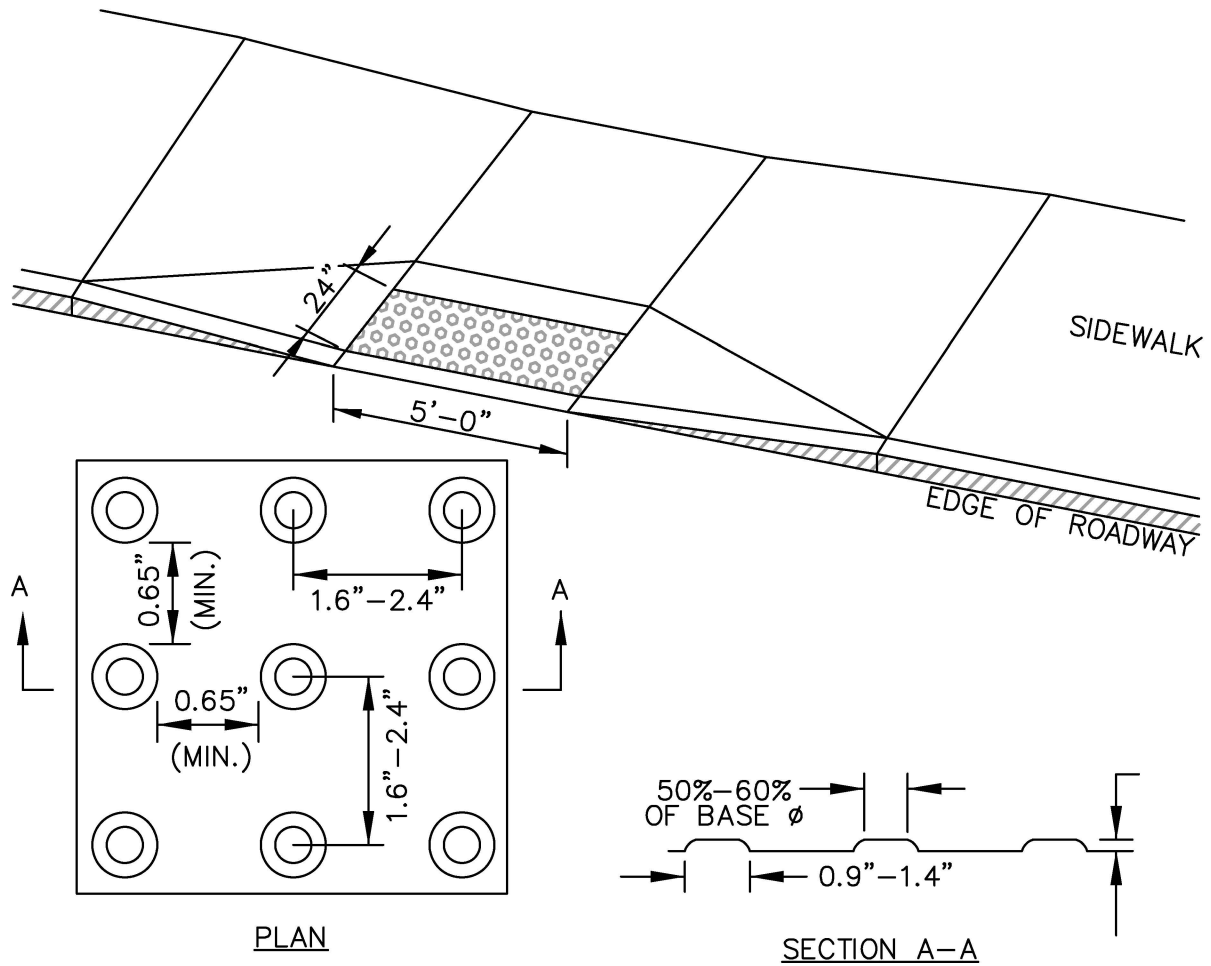
\* = CONSTRUCTION TOLERANCE +/- 0.5%  
 (SEE DETAIL RS.13 FOR ADDITIONAL WHEELCHAIR RAMP NOTES)



CITY OF WALTHAM, MA  
 ENGINEERING DEPARTMENT

STANDARD DETAILS	DETAIL NO: RS.11
ROADWAYS & SIDEWALKS	SCALE: N.T.S.
WHEELCHAIR RAMP TYPE F	REV. DATE: OCT. 2020

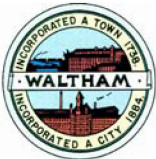




NOTES:

1. PANELS SHALL BE WEATHERED CAST IRON AS MANUFACTURED BY NEENAH FOUNDRY COMPANY (CATALOG NO. 4984-24B, 4984-30B, 4984-36B) OR APPROVED EQUAL.
2. IF APPROVED BY THE PUBLIC WORKS DIRECTOR PANELS MAY BE BRICK RED IN COLOR CAST IN PLACE AS MANUFACTURED BY ADA SOLUTIONS (PART NO 2460IDPAV2) OR APPROVED EQUAL. SURFACE APPLIED TACTILE PANELS ARE NOT ACCEPTABLE.
3. DETECTABLE PANEL SHALL SPAN THE LENGTH OF THE RAMP OPENING AND SHALL BE ORIENTED PERPENDICULAR TO THE DIRECTION OF PEDESTRIAN TRAVEL.
4. PANEL SHALL NOT BE LOCATED LESS THAN 6" NOR GREATER THAN 24" FROM THE EDGE OF ROADWAY.
5. PANEL SHALL BE SET FLUSH WITH CEMENT CONCRETE WHEELCHAIR RAMP.
6. SEE DETAIL RS.13 FOR ADDITIONAL WHEELCHAIR RAMP NOTES.

DWG FILE: S:\CAD\Standard Details\Details\RS.12 - Detectable Warning Panel.dwg



CITY OF WALTHAM, MA  
ENGINEERING DEPARTMENT

STANDARD DETAILS

DETAIL NO:  
RS.12

ROADWAYS & SIDEWALKS

SCALE:  
N.T.S.

DETECTABLE WARNING  
PANEL

REV. DATE:  
OCT. 2020



WHEELCHAIR RAMP NOTES:

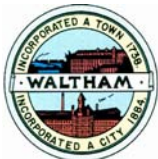
1. ALL ACCESSIBLE WHEELCHAIR RAMPS SHALL BE BUILT IN ACCORDANCE WITH THE CURRENT REGULATIONS OF THE ARCHITECTURAL ACCESS BOARD (AAB) AND THE AMERICANS WITH DISABILITIES ACT.
2. WHEELCHAIR RAMPS SHALL BE CONSTRUCTED USING 4,000 PSI, 3/4" AGGREGATE, PORTLAND CEMENT WITH LAMP BLACK ADDITIVE CONCRETE AND BE A MINIMUM THICKNESS OF 6 INCHES.
3. RAMPS SHALL BE TEXTURED BY BROOMING IN A DIRECTION PARALLEL WITH THE LENGTH OF THE RAMP.
4. CURBING FOR ALL WHEELCHAIR RAMPS SHALL BE VERTICAL GRANITE CURBING TYPE VB 5 (SEE DETAIL RS.2).
5. ALL WHEELCHAIR RAMPS SHALL HAVE A DETECTABLE WARNING PANEL AS SHOWN IN DETAIL RS.12.
6. CROSS SLOPES FOR ALL SURFACES SHALL BE 1.5%. A CONSTRUCTION TOLERANCE OF +/- 0.5% IS ACCEPTABLE. PER AAB REGULATIONS, CROSS SLOPES MAY NOT EXCEED 2.0%.
7. TRANSITION SLOPES SHALL BE A MAXIMUM OF 7.5% WITH AN ACCEPTABLE CONSTRUCTION TOLERANCE OF 0.5%. TRANSITION SLOPES CAN BE FLATTENED WHEN WARRANTED BY THE SURROUNDING CONDITIONS.
8. IF THE ROADWAY PROFILE EXCEEDS 4.0% THE HIGH SIDE TRANSITION SHALL NOT EXCEED 15' IN LENGTH. LOW SIDE TRANSITIONS SHALL BE A MINIMUM OF 6'-6" IN LENGTH REGARDLESS OF ROADWAY PROFILE.
9. FIXED OBJECTS (UTILITY POLES, HYDRANTS, SIGNS, SIGNAL FOUNDATIONS, ETC.) SHALL NOT ENCROACH UPON ANY PART OF THE WHEELCHAIR RAMP INCLUDING TRANSITION SLOPES.
10. WHEELCHAIR RAMPS SHALL NOT BE PLACED ON THE TRAFFIC APPROACH SIDE OF A STOP LINE OR SIGN.
11. WHEELCHAIR RAMP OPENING IS TO BE CENTERED IN THE CROSSWALK OR PATH OF PEDESTRIAN TRAVEL. NO PART OF THE RAMP, EXCLUDING CURB TRANSITIONS, IS TO BE LOCATED OUTSIDE OF THE CROSSWALK OR PATH OF PEDESTRIAN TRAVEL.
12. CATCH BASINS WITHIN THE VICINITY OF THE WHEELCHAIR RAMP SHALL BE LOCATED UPGRADE OF THE WHEELCHAIR RAMP ENTRANCE.
13. THE ENTRANCE OF THE WHEELCHAIR RAMP SHALL BE FLUSH WITH THE ROADWAY.
14. WHEN TESTING WITH A STRAIGHTEDGE PLACED PARALLEL TO THE LINE OF SLOPE THERE SHALL BE NO DEVIATION FROM A TRUE SURFACE IN EXCESS OF 1/4".
15. RAMP DIMENSIONS ARE SUBJECT TO CHANGE IN THE FIELD IF EXISTING APPURTENANCES OR CONDITIONS WILL MAKE THE RAMP LOCATIONS IMPRACTICAL OR UNSAFE. DEVIATIONS MUST BE APPROVED IN WRITING BY THE CITY ENGINEER.

TABLE OF TRANSITION LENGTHS

ROADWAY PROFILE GRADE (%)	HIGH SIDE TRANSITION LENGTH (HSL)
0	6'-6"
0 < % ≤ 1	7'-8"
1 < % ≤ 2	9'-0"
2 < % ≤ 3	11'-0"
3 < % ≤ 4	14'-0"
4 < %	15'-0" (MAX.)

FIGURES BASED UPON A DESIGN SLOPE OF 7.5% AND A 6" CURB REVEAL

DWG FILE: S:\CAD\Standard Details\Details\RS.13 - Wheelchair Ramp Notes and HSL.dwg



CITY OF WALTHAM, MA  
ENGINEERING DEPARTMENT

STANDARD DETAILS

DETAIL NO:  
RS.13

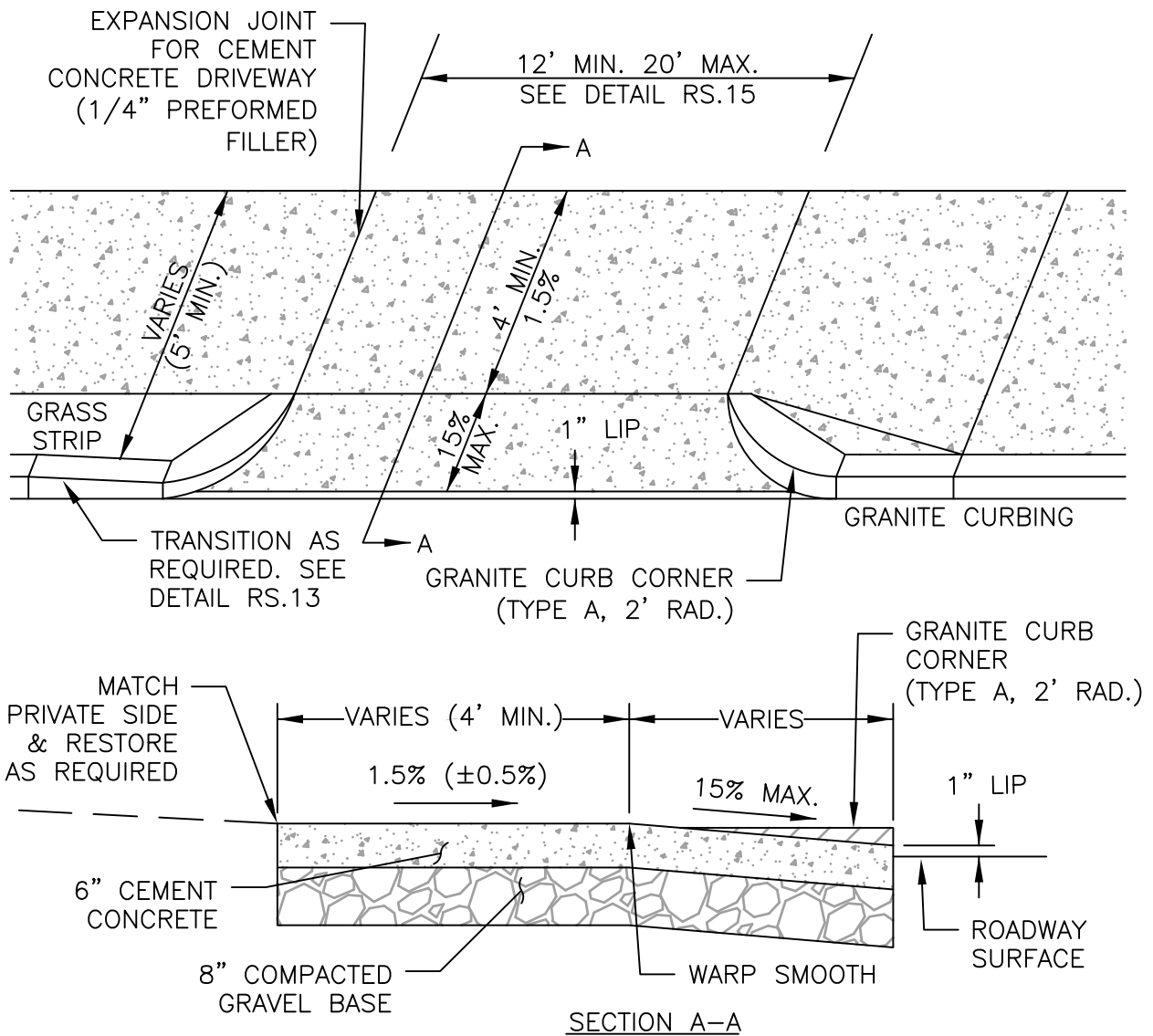
ROADWAYS & SIDEWALKS

SCALE:  
N.T.S.

WHEELCHAIR  
RAMP NOTES

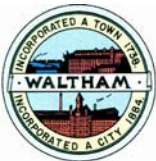
REV. DATE:  
OCT. 2020

DWG FILE:S:\CAD\Standard Details\Details\RS.14 - Typical Driveway With Sidewalk.dwg



**NOTES:**

1. CURB CUT PERMIT REQUIRED FOR NEW DRIVEWAY OPENINGS AND ALTERATIONS TO EXISTING DRIVEWAY OPENINGS.
2. IF THE EXISTING SIDEWALK MATERIAL IS ASPHALT, A HOT MIX ASPHALT DRIVEWAY MAY BE APPROVED BY THE PUBLIC WORKS DIRECTOR.
3. SEE DETAIL RS.4 FOR HOT MIX ASPHALT DRIVEWAY CROSS SECTION.
4. DRIVEWAYS WITHOUT SIDEWALKS SHALL BE UNIFORMLY SLOPED TOWARDS ROADWAY. 5% MIN. - 15% MAX.



CITY OF WALTHAM, MA  
ENGINEERING DEPARTMENT

STANDARD DETAILS

ROADWAYS & SIDEWALKS

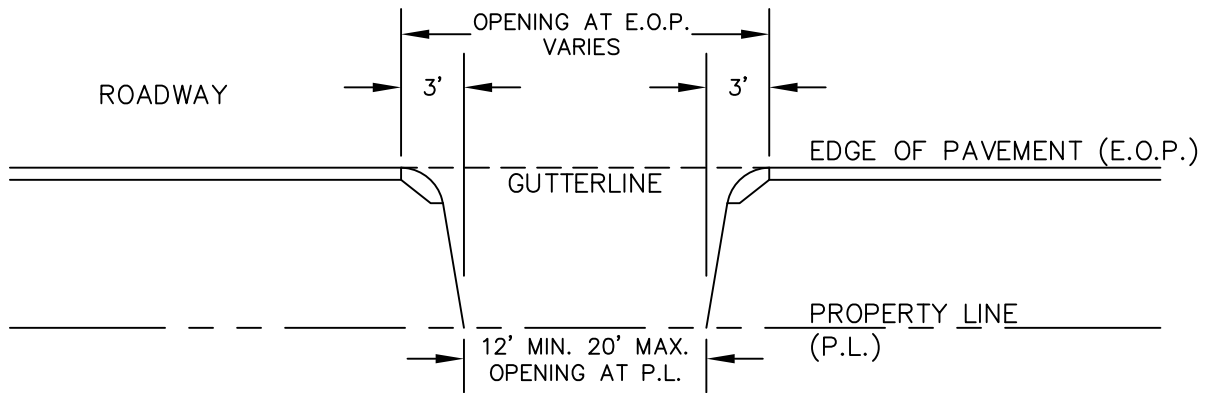
TYPICAL DRIVEWAY WITH  
SIDEWALK

DETAIL NO:  
RS.14

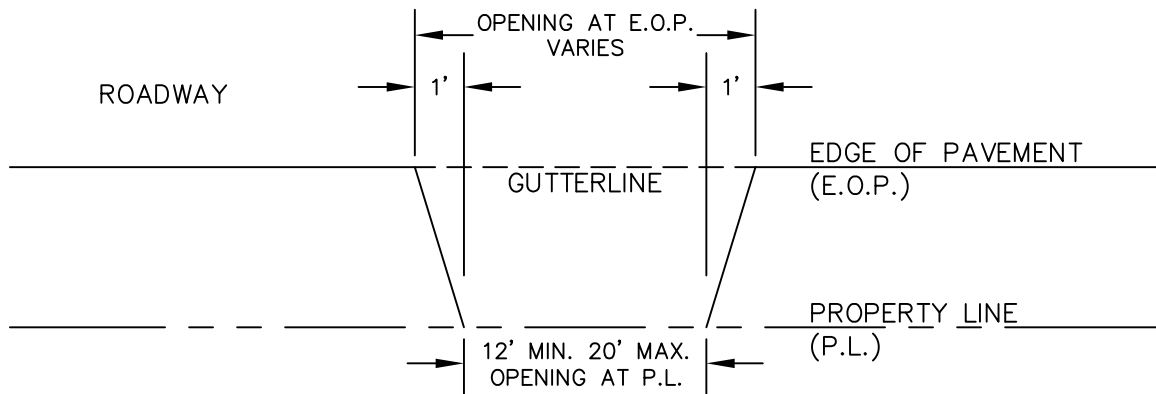
SCALE:  
N.T.S.

REV. DATE:  
OCT. 2020

DRIVEWAY OPENING WITH CURBING



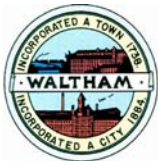
DRIVEWAY OPENING WITHOUT CURBING



NOTES:

1. CURB CUT PERMIT REQUIRED FOR NEW DRIVEWAY OPENINGS AND ALTERATIONS TO EXISTING DRIVEWAY OPENINGS.
2. RESIDENTIAL PROPERTIES ARE ALLOWED EITHER TWO (2) DRIVEWAY OPENINGS THAT ARE 12' WIDE AT THE PROPERTY LINE OR ONE (1) DRIVEWAY OPENING THAT IS A MAXIMUM OF 20' WIDE AT THE PROPERTY LINE.
3. DRIVEWAY OPENINGS AT THE EDGE OF PAVEMENT SHALL NOT EXCEED THE TAPER DISTANCES SHOWN ABOVE.
4. DRIVEWAY OPENINGS SHALL BE PERPENDICULAR TO THE ROADWAY.
5. COMMERCIAL DRIVEWAY OPENINGS ARE SUBJECT TO APPROVAL BY THE DIRECTOR OF PUBLIC WORKS AND THE TRAFFIC COMMISSION.

DWG FILE:S:\CAD\Standard Details\Details\RS.15 - Driveway Opening Dimensions.dwg



CITY OF WALTHAM, MA  
ENGINEERING DEPARTMENT

STANDARD DETAILS

ROADWAYS & SIDEWALKS

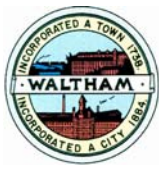
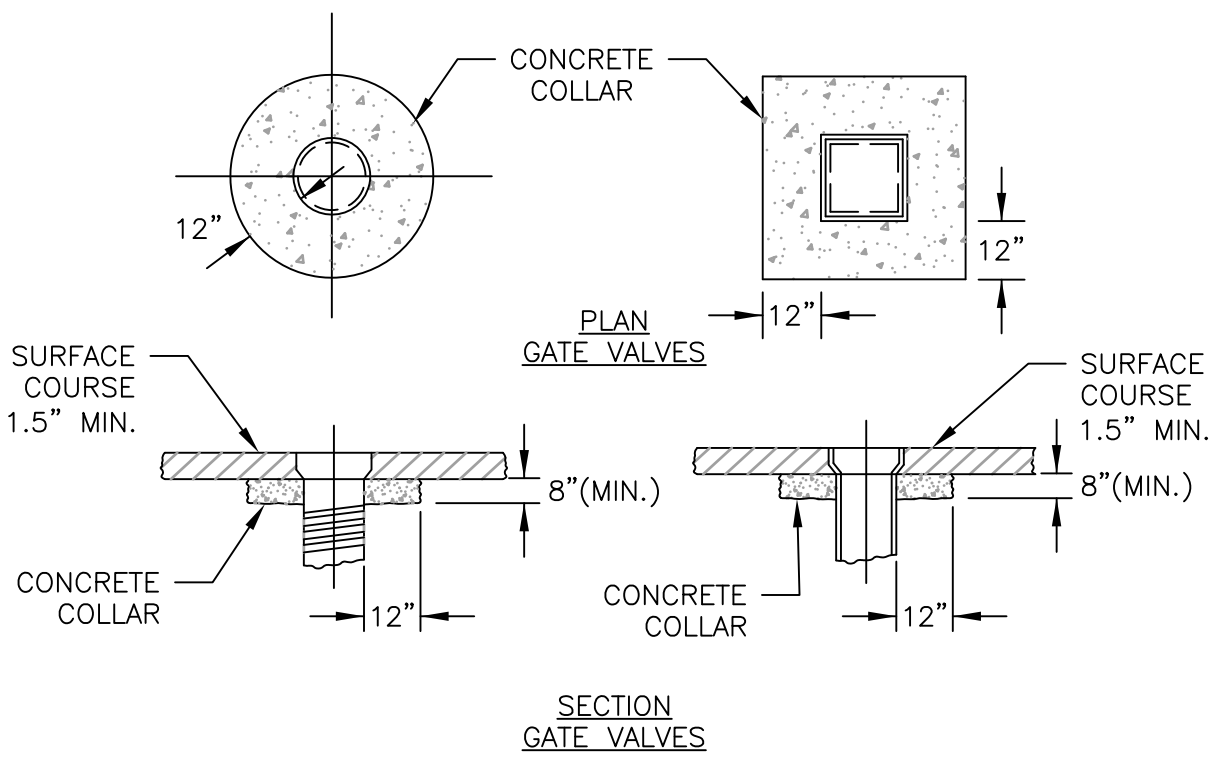
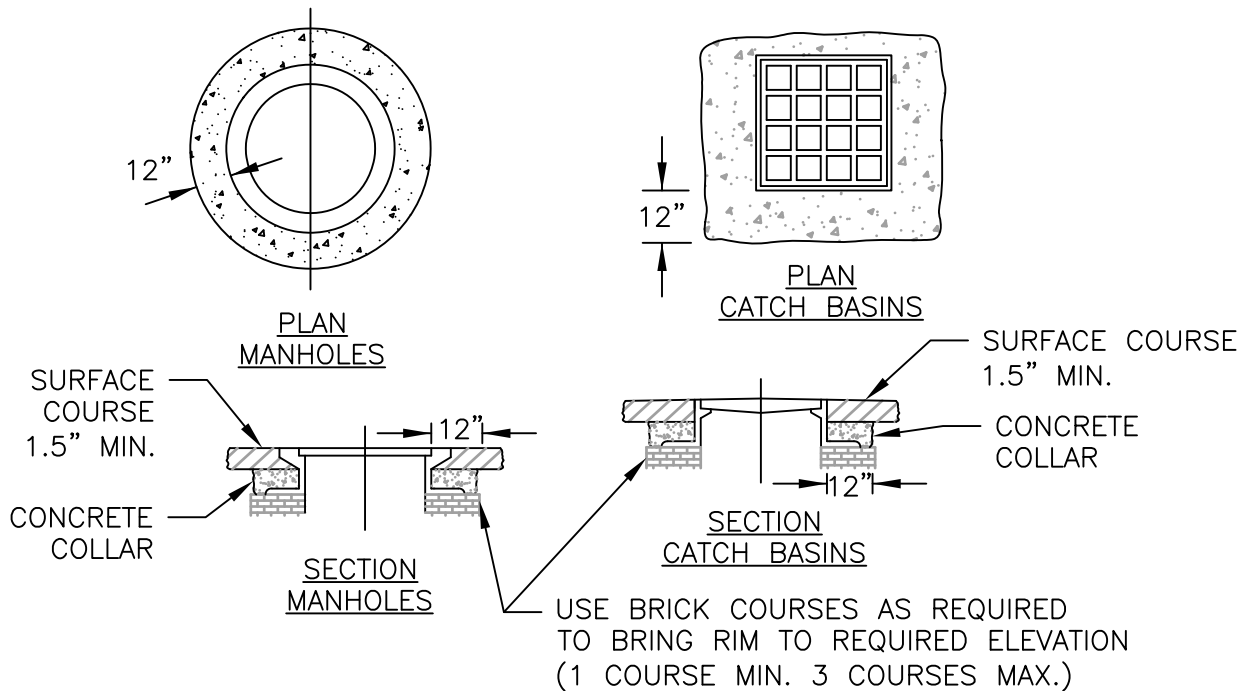
DRIVEWAY OPENING  
DIMENSIONS

DETAIL NO:  
RS.15

SCALE:  
N.T.S.

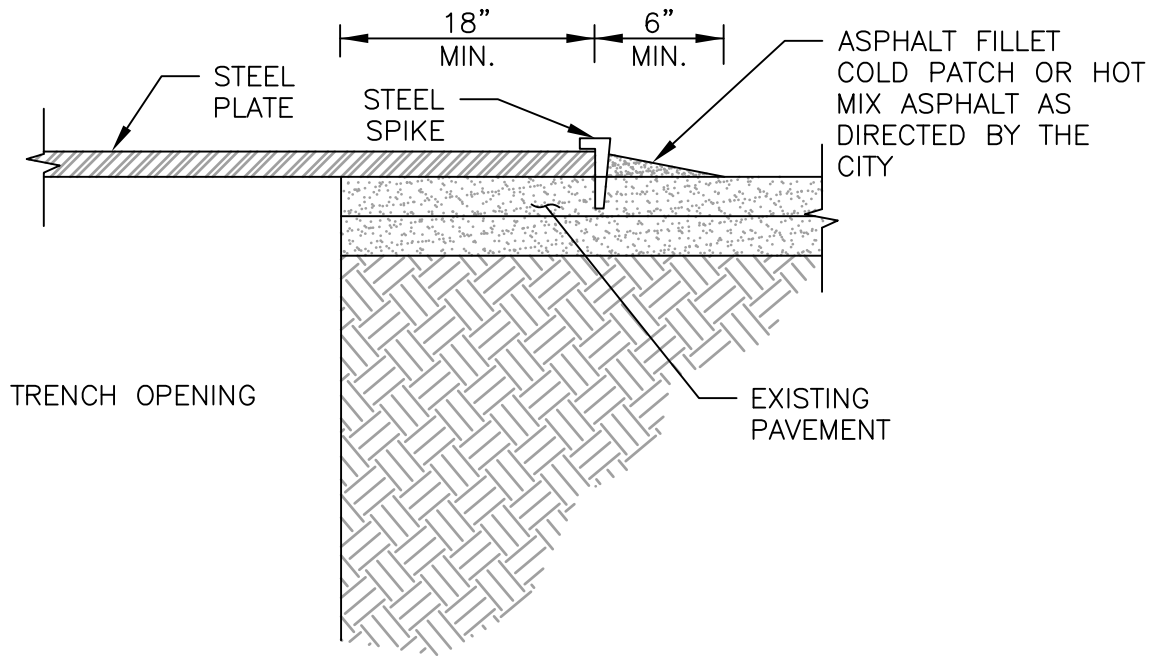
REV. DATE:  
OCT. 2020

DWG FILE: S:\CAD\Standard Details\Details\RS.16 - Details for Raising Castings.dwg



CITY OF WALTHAM, MA  
ENGINEERING DEPARTMENT

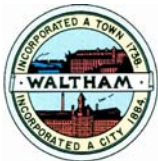
STANDARD DETAILS	DETAIL NO: RS.16
ROADWAYS & SIDEWALKS	SCALE: N.T.S.
DETAILS FOR RAISING CASTINGS	REV. DATE: OCT. 2020



NOTES:

1. USE OF STEEL PLATES ALLOWED ON A CASE BY CASE BASIS, PENDING WRITTEN APPROVAL BY CITY.
2. THE CONTRACTOR SHALL PERFORM WORK IN A MANNER THAT LIMITS THE USE OF STEEL PLATES WITHIN ROADWAYS.
3. CONTRACTOR SHALL BE RESPONSIBLE FOR ANY DAMAGES OR CLAIMS RESULTING FROM THE USE OF STEEL PLATES.
4. CONTRACTOR SHALL PROVIDE A 24 HOUR EMERGENCY CONTACT NUMBER TO THE CITY PRIOR TO THE INSTALLATION OF STEEL PLATES WHICH WHEN CALLED SHALL RESPOND WITH SUFFICIENT RESOURCES TO ADDRESS ISSUE AND MAKE THE WORK ZONE SAFE.
5. MUTCD COMPLIANT RETROREFLECTIVE ORANGE CONSTRUCTION WARNING SIGNS (48"X48") WITH WORDING "STEEL PLATE AHEAD" SHALL BE INSTALLED IN ADVANCE OF STEEL PLATE INSTALLATION.
6. THE CONTRACTOR SHALL DESIGN AND UTILIZE STEEL PLATES OF ADEQUATE DIMMENSIONS AND THICKNESS FOR INTENDED USE AND VEHICLE LOADING. MAXIMUM ALLOWABLE DEFLECTION SHALL BE 0.025". IRON SPIKE FASTENERS SHALL BE INSTALLED AROUND THE PERIMETER OF THE STEEL PLATE.

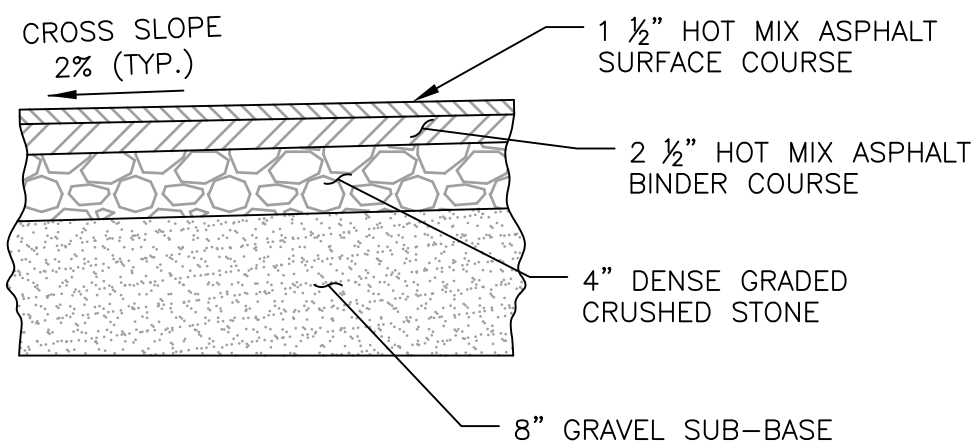
DWG FILE: S:\CAD\Standard Details\Details\RS.17 - Steel Plate Installation.dwg



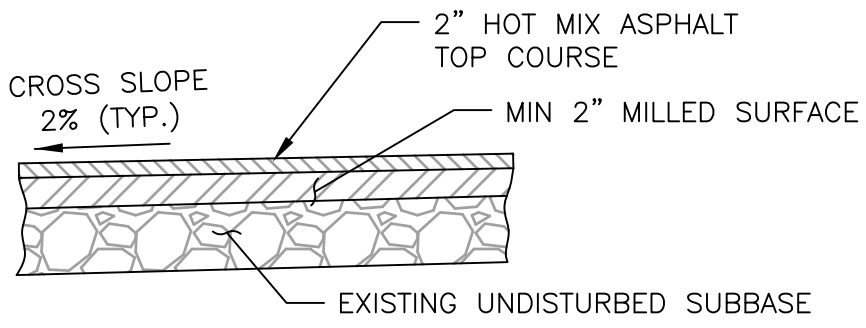
CITY OF WALTHAM, MA  
ENGINEERING DEPARTMENT

STANDARD DETAILS	DETAIL NO: RS.17
ROADWAYS & SIDEWALKS	SCALE: N.T.S.
STEEL PLATE INSTALLATION	REV. DATE: OCT. 2020

DWG FILE: S:\CAD\Standard Details\Details\RS.18 - Typical Pavement Section.dwg



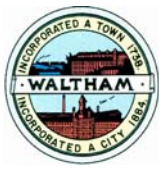
NEW ROADS & RECLAIMED ROADS



MILLED ROADS

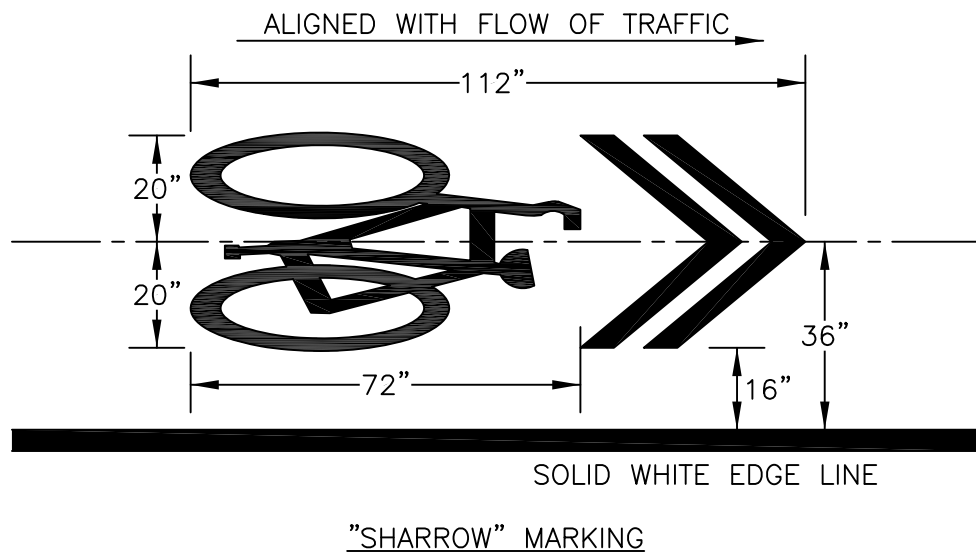
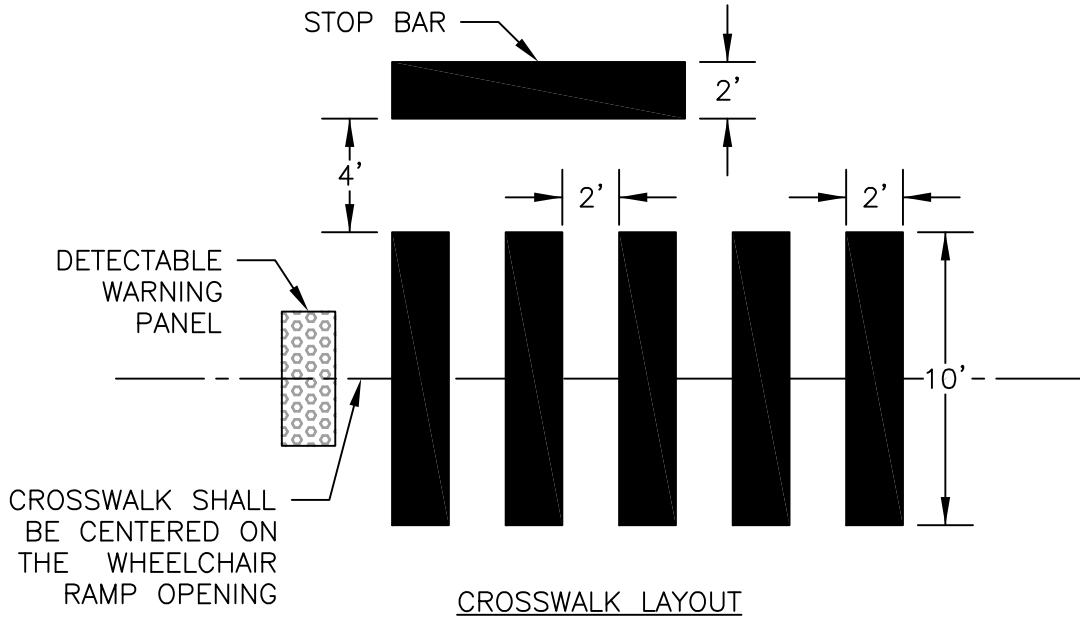
NOTES:

1. MINIMUM PAVEMENT THICKNESS SHOWN IS FOR RESIDENTIAL STREETS, PROPOSED PAVEMENT DESIGNS FOR OTHER ROADWAYS TO BE APPROVED BY CITY ENGINEER.
2. RECLAIMED ASPHALT PAVEMENT MATERIAL MAY BE SUBSTITUTED FOR DENSE GRADED CRUSHED STONE AND GRAVEL SUB-BASE IF APPROVED BY CITY ENGINEER.
3. WHERE MILLED SURFACE IS LESS THAN 2", BINDER PATCH OVERLAY OR SHIM COURSE MAY BE REQUIRED.
4. WHERE BINDER COURSE IS DETERIORATED OR BROKEN AFTER MILLING WORK CONTRACTOR SHALL SAW CUT AND EXCAVATE AREAS AS DIRECTED BY THE ENGINEER. AREAS SHALL BE EXCAVATED AND COMPACTED TO ALLOW FOR PLACEMENT OF 3" HOT MIX ASPHALT BINDER COURSE FLUSH WITH THE MILLED SURFACE PRIOR TO THE SURFACE COURSE PAVING.



CITY OF WALTHAM, MA  
ENGINEERING DEPARTMENT

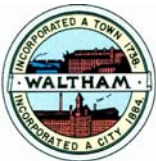
STANDARD DETAILS	DETAIL NO: RS.18
ROADWAYS & SIDEWALKS	SCALE: N.T.S.
TYPICAL PAVEMENT SECTION	REV. DATE: OCT. 2020



**NOTES:**

- EXISTING PAVEMENT SHALL BE CLEANED AND POWER BRUSHED PRIOR TO THE APPLICATION OF THERMOPLASTIC PAVEMENT MARKINGS.

DWG FILE: S:\CAD\Standard Details\Details\RS.19 - Typical Crosswalk and Sharrow.dwg



CITY OF WALTHAM, MA  
ENGINEERING DEPARTMENT

STANDARD DETAILS

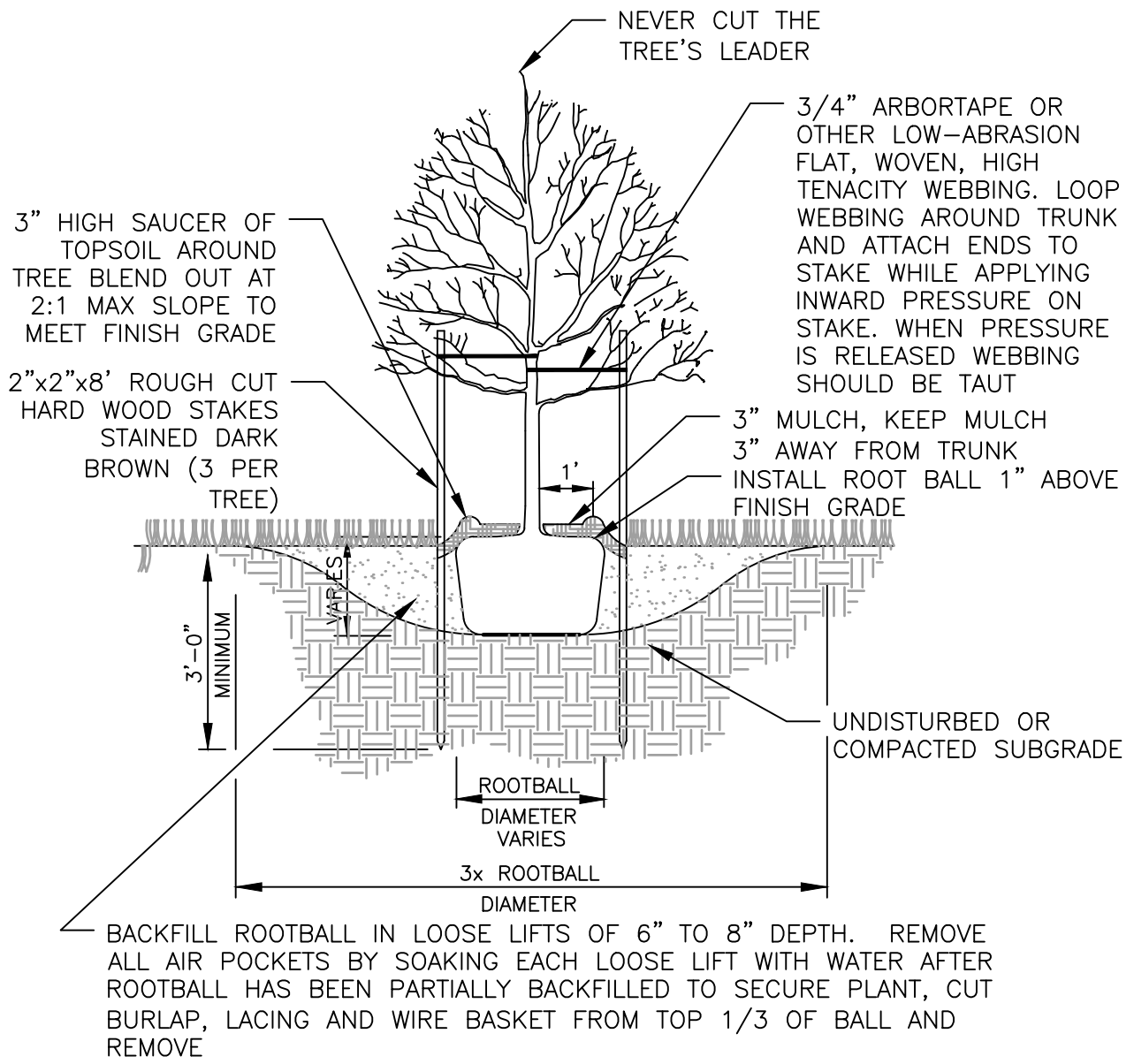
ROADWAYS & SIDEWALKS

TYPICAL CROSSWALK &  
"SHARROW" MARKINGS

DETAIL NO:  
RS.19

SCALE:  
N.T.S.

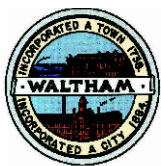
REV. DATE:  
OCT. 2020



NOTES:

1. FOR TREE PIT DETAIL SEE DETAIL RS.21 TREE PIT

DWG FILE: S:\CAD\Standard Details\RS.20 -- Tree Planting.dwg



CITY OF WALTHAM, MA  
ENGINEERING DEPARTMENT

STANDARD DETAILS

DETAIL NO:  
RS.20

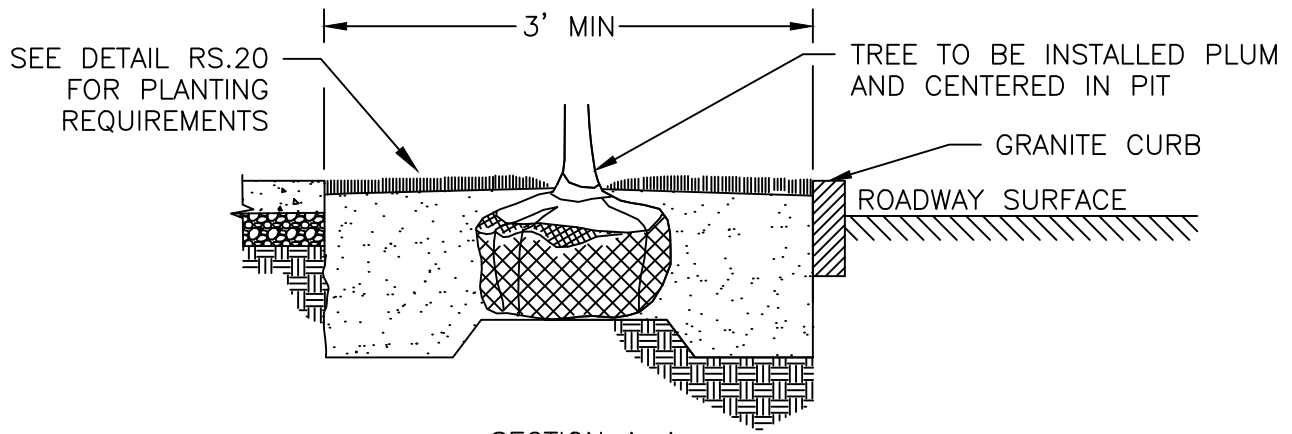
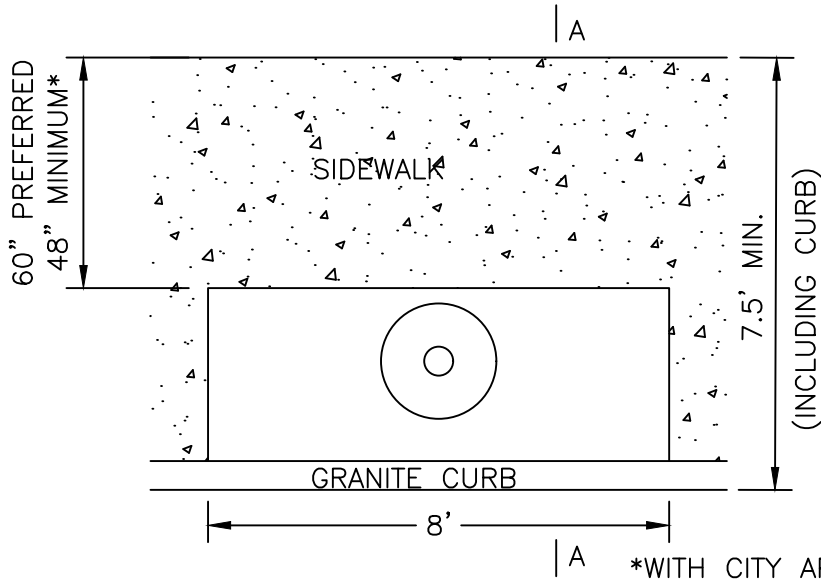
ROADWAYS & SIDEWALKS

SCALE:  
N.T.S.

TYPICAL TREE PLANTING

REV. DATE:  
NOV. 2020





SECTION A-A

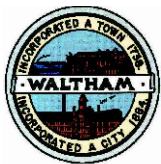
NOTES:

1. TREE PIT TO BE A MINIMUM OF 24 SQUARE FEET 6' X 4'

GENERAL DISTANCES FROM INFRASTRUCTURE

- 20 FT FROM LIGHT POLES
- 30 FT FROM STOP SIGNS
- 6 FT FROM TRAFFIC SIGNS
- 5 FT FROM PARKING METERS
- 10 FT FROM WATER AND SEWER SERVICES
- 5 FT FROM HYDRANTS
- 7 FT FROM DRIVEWAYS
- 15-25 FT FROM OTHER TREES

DWG FILE: S:\CAD\Standard Details\Details\RS.21 - Tree Pit.dwg



CITY OF WALTHAM, MA  
ENGINEERING DEPARTMENT

STANDARD DETAILS

ROADWAYS & SIDEWALKS

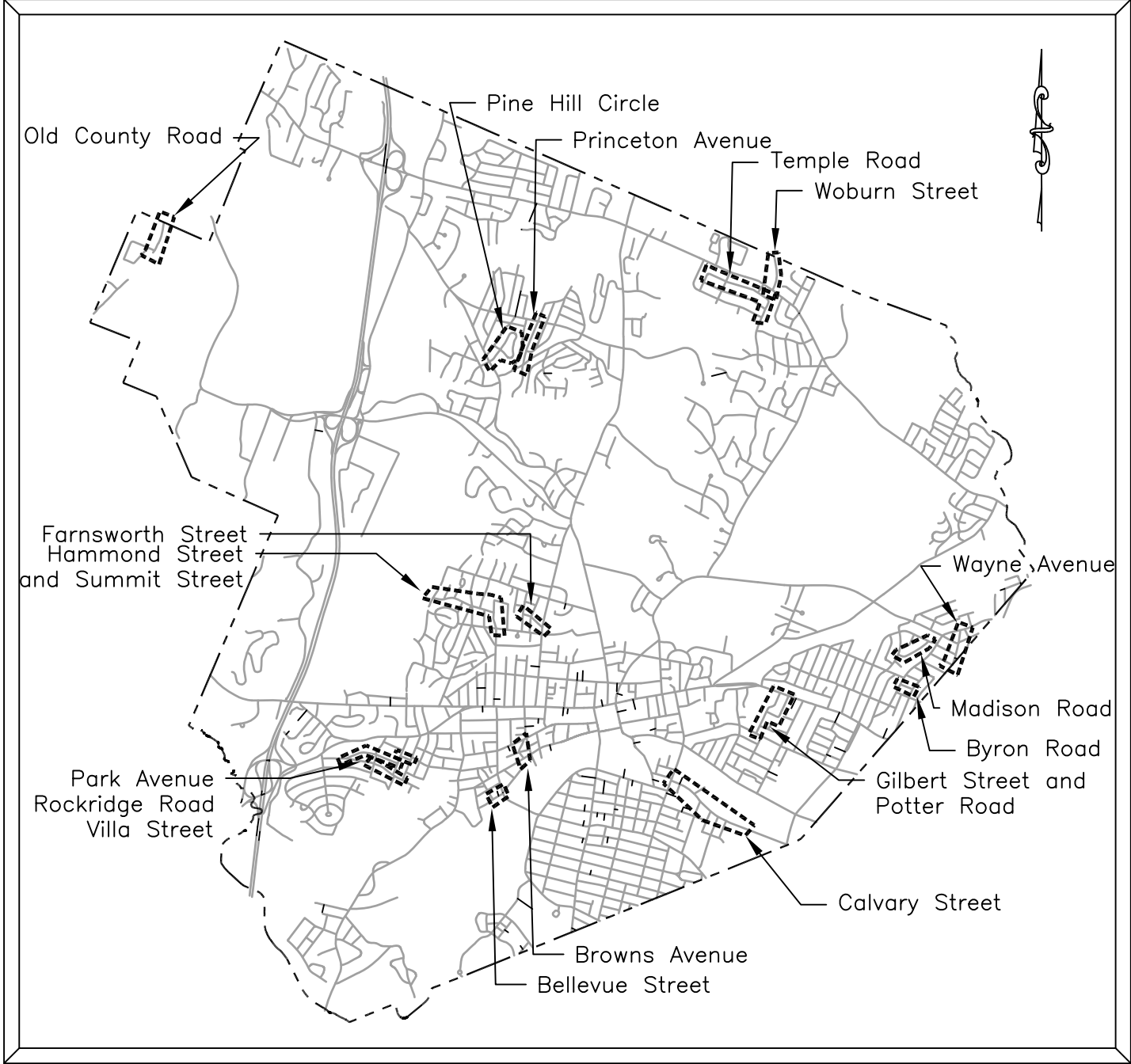
TYPICAL TREE PIT

DETAIL NO:  
RS.21

SCALE:  
N.T.S.

REV. DATE:  
NOV. 2020

2021 Reconstruction and Resurfacing of Streets and Sidewalks CH90



LOCUS MAP

1" = 4,000' +/-