

The City of Waltham



**Invites
Interested Parties
To propose the best offer and or bid
For the service or product herewith described:**

**Procurement and Installation of
City-Wide LED Street Lights**

The bid opening will be held: 10:00 AM, Monday May 7, 2018

Table of Contents:

- **Invitation to Bid**
- **Intent of the Project**
- **Instructions**
- **General Conditions**
- **Specifications**
- **Compliance**
- **Bid Price**

Invitation to Bid

The City of Waltham

Purchasing Department

REQUEST FOR BID (RFB)

Under the rules of M.G.L. Chapter 149 the Purchasing Department of the City of Waltham hereby requests sealed bids for:

Procurement and Installation of City-Wide LED Street Lights

Price Proposals will be received at the office of the Purchasing Agent, City Hall, 610 Main Street, Waltham MA 02452, until

10:00 AM, Monday May 7, 2018

At which time and place the bids will be publicly opened and read.

Specifications and information available at the Purchasing Agent's Office or in the Waltham Purchasing Department web site at www.city.waltham.ma.us/bids

BIDS MUST BE SIGNED AND ENCLOSED IN A SEALED ENVELOPE AND MARKED:

BID FOR: The Procurement and Installation of City-Wide LED Street Lights

If the Bidder is a corporation, state your correct corporate name and State of incorporation. If Bidder is a partnership, state names and addresses of partners. If Bidder is a trust or other legal entity, state correct names and addresses of trustees or names and address of those legally authorized to bid and enter into contracts.

EXCEPTION OR ALTERNATES TO SPECIFICATIONS, TERMS OF SALE, AND DISCOUNTS AVAILABLE, MUST BE INCLUDED IN THE BID PRIOR TO OPENING DATE.

Intent of Project

The City of Waltham, through its Green Communities Grant and its own municipal resources, plans to put in place phase one of its five-year plan to replace approximately 3800 street lights with LED fixtures. Although no fixed budget is available at this point since no amount has been established by the Green Communities Grant in future years, the City will replace annually a number of fixtures with LEDs until all Sodium lights are replaced.

The number and location of the fixture replacement will be determined after the bid award by the Wires Department and Selected contractor.

The successful contractor shall be engaged by the City for a period no less than three (3) years.

AGREEMENT

CITY OF WALTHAM

ARTICLE 1. This agreement, made this _____ day of _____, 2018 by and between the CITY OF WALTHAM, party of the first part, hereinafter called the CITY, by its MAYOR, and

_____ hereinafter called the CONTRACTOR.

ARTICLE 2. Witnesseth, that the parties to this agreement, each in consideration of the agreement on the part of the others herein contained, do hereby agree, the CITY OF WALTHAM for itself, and said contractor for his heirs, executors, administrators and assigns as follows:

To furnish all equipment, machinery, tools and labor, to furnish and deliver all materials required to be furnished (except as otherwise specified) and deliver in and about the project and to do and perform all work in strict conformity with the provisions of this Contract and of the Notice to Bidders, bid, Project Manual, and Drawings hereto annexed. The said Notice to Bidders, bid, Project Manual, and Drawings are hereby made a part of this contract as fully and to the same effect as if the same had been set forth at length and incorporated in the contracts.

ARTICLE 3. In consideration of the foregoing premises the CITY agrees to pay and the CONTRACTOR agrees to receive as full compensation for everything furnished and done by the CONTRACTOR under this contract, including all work required by not included in the items herein mentioned, and also for all loss or damage arising out of the nature of the work aforesaid, or from the action of the elements, or from any unforeseen obstruction or difficulty encountered in the prosecution of the work, and for all expenses incurred by or in consequence of the suspension or discontinuance of the work specified, and for well and faithfully completing the work, and the whole thereof, as herein provided, such prices as are set forth in the accompanying bid.

This Agreement entered into as of the day and year first written above.

CITY OF WALTHAM, MASSACHUSETTS

FOR THE CITY

Jeannette A. McCarthy, MAYOR,
City of Waltham
Date: _____

John B. Cervone, City Solicitor
Date: _____
APPROVED AS TO FORM ONLY

Tim Kelly, Wires Director
Date: _____

Joseph Pedulla, Purchasing Agent
Date: _____

Paul Centofanti, Auditor
Date: _____

I CERTIFY THAT SUFFICIENT FUNDS
ARE AVAILABLE FOR THIS CONTRACT

FOR THE COMPANY

CONTRACTOR (Signature),
Date: _____

Company

Address

Instructions

INSTRUCTIONS FOR BIDDERS

1. READ ALL DOCUMENTS.

Bidders should familiarize themselves with all the documents contained herein; it is mandatory that all Bids be in compliance with all the provisions contained in said documents.

2. FORMS AND ATTACHMENTS.

Bids are to be completed on the forms provided **ONLY** and enclosed in a sealed envelope marked on the outside "BID (title)" and the name and address of bidder. Attachments submitted in addition to the Waltham Purchasing Department produced forms may not be considered.

3. PRINTED OR TYPED RESPONSE.

All information must be typewritten or printed in ink, including the price the bidder offers in the space as provided on the bid form.

4. CORRECTIONS.

Bids that are submitted containing cross outs, white outs or erasures, will be rejected.

All corrections or modifications to the original bid are to be submitted in a separate envelope, properly marked on the outside, "CORRECTION/ MODIFICATION TO BID (title)" and submitted prior to the bid opening.

ALL DOCUMENTS SUBMITTED WITH YOUR RESPONSE WILL BE INCORPORATED INTO THE CONTRACT.

5. PRICE IS ALL INCLUSIVE.

Bid prices shall encompass everything necessary for furnishing all items, materials, supplies or services as specified, and in accordance with the specifications, including proper packing, cost of delivery, travel, overhead, profit, etc. and in the case of services, completion of same, as per specifications.

6. PRICE DISCREPANCY.

In the event of a discrepancy between the Unit Price and the Extension, the Unit Price shall prevail.

1. PREVAILING WAGES

The Contractor is required to pay the prevailing wages as determined under the provisions of Chapter 149, Sections 26 and 27D of the Massachusetts General Laws, including the submission of weekly payrolls to the awarding authority. A copy of the prevailing wage schedule can be found at www.city.waltham.ma.us/bids .

8. EXCEPTIONS

No Exceptions will be acceptable to the City. The City's intent is to purchase precisely what is specified in the document. Only equal or better grade specifications shall be considered by the City.

9. BID DEPOSITS.

Bid deposits are to be made payable to the City of Waltham. In the event that the successful bidder fails to execute a Contract within (10) days of the receipt of said contract, such security shall be retained by the city as liquidated damages. Unsuccessful bidders' deposits will be returned immediately following the award to said successful bidder.

10. WITHDRAW.

A Bid may be withdrawn by written request prior to the schedule for the Bid Opening. No withdrawals are permitted after the bid opening date and time. Withdrawals after the bid opening date will cause the forfeit of the bid Deposit.

11. AWARD.

Bids will be awarded not later than (90) ninety days after the scheduled bid opening date, unless otherwise stated, in the specifications. Unless otherwise specified, bids will be evaluated on the basis of, completeness of your RFP response, responsiveness, responsibility, best price and experience.

12. AWARD CRITERIA.

Qualified and responsive proposals will be evaluated based on the following rating, which will apply to all Price, Technical, and Compliance requirements.

12. DISCOUNTS.

Discounts for prompt payments, based on City Pay Day, will be considered when making awards.

13. TAX EXEMPT.

Purchases by the City of Waltham are exempt from any Federal, State or Massachusetts Municipal Sales and/or Excise Taxes.

14. SAMPLES.

The Waltham Purchasing Department may require the submission of samples either before or after the awarding of a contract. Samples are to be submitted, at no charge to the City, so as to ascertain the product's suitability. If specifically stated in the Bid that samples are required, said samples must be submitted with the Bid prior to the Official Bid Opening. Failure to submit said samples would be cause for rejection of Bid. All samples must be called for and picked up within (30) thirty days of award or said samples will be presumed abandoned and will be disposed of.

15. ACTIVE VENDOR LIST.

Vendors who wish to remain on the Active Bid List must either submit a Bid, No Bid, or a letter requesting same, no later than the Official Bid Opening. This is applicable to those vendors who have received the Invitation to Bid.

16. FUNDS APPROPRIATION.

The contract obligation on behalf of the City is subject to prior appropriation of monies from the governmental body and authorization by the Mayor.

17. THE AWARDING AUTHORITY RESERVES THE RIGHT TO REJECT ANY OR ALL BIDS, OR ANY PART OF ANY BID, WHICH IN THE OPINION OF THE AWARDING AUTHORITY, IS IN THE BEST INTERESTS OF THE CITY OF WALTHAM.

18. THE TAX ATTESTATION CLAUSE, CERTIFICATION OF NON-COLLUSION AND THE CORPORATION AUTHORIZATION, are an integral part of the Invitation for Bid and must be completed and signed by the person submitting the Bid, or by the person/persons who are officially authorized to do so.

19. STANDARD OF QUALITY.

Where, in the specifications, one certain kind, type, catalog number, brand or manufacturer of material is named, it shall be regarded as the required standard of quality. Where two or more are named, these are presumed to be equal and the Bidder

may select one or the other. If the Bidder proposes to offer a substitute as an equal, he shall so indicate on the Bid Form, the kind, type, catalog number, brand, or manufacturer of material that is offered as an equal, and describe where it differs from the specifications. Substituted items must be capable of performing all the functions and/or operational features described or indicated in the specifications. Failure to indicate the description of any substitute item on the Bid will be interpreted to mean that the Bidder will furnish the item or service as specified.

20. MODIFICATION.

No agreement, understanding, alteration or variation of the agreement, terms or provisions herein contained shall bind the parties, hereto unless made and executed in writing by the parties hereto.

21. ASSIGNMENT.

The final payment for work done under this Contract shall be made only after the Contractor has signed a statement under the penalty of perjury, certifying that he has completed the work described in the final estimate. Neither party hereto shall assign this Contract or sublet it in part or as a whole without the prior written consent of the other party hereto. The Contractor shall not assign any sum or sums due or becoming due to him hereunder without the prior written consent of the City.

22. STABILITY of AGREEMENT:

Section 1. The failure of the City or the Union to insist, in any one or more incidents, upon performance of any of the terms or conditions of this Agreement shall not be considered as a waiver or relinquishment of the rights of the City or of the Union to future performance of any such term or condition and the obligations of the Union or of the City to such future performance shall continue in full force and effect.

Section 2. The provisions of this Agreement supersede any conflicting or inconsistent rule, regulation, ordinance or order promulgated by the City.

Section 3. Should any part hereof or any provision herein contained be rendered or declared invalid by reason of any existing or subsequently enacted legislation or by any decree of a court of competent jurisdiction, such invalidation of such part or portion of this agreement shall not invalidate the remaining portions hereof and the remaining parts of provisions shall remain in full force and effect.

23. DELIVERIES *(if applicable):*

a) The Contractor shall pay all freight and delivery charges. The Waltham Purchasing Department does not pay for shipping and packaging expenses. Items must be delivered as stipulated in the specifications. All deliveries must be made to the inside of city buildings. Sidewalk deliveries will not be accepted. City personnel are not required to assist in the deliveries and contractors are cautioned to notify their shippers that adequate assistance must be provided at the point of delivery, when necessary.

b) All items of furniture must be delivered inside the building, set up, in place and ready for use. Deliveries are to be made between the hours of 8:30 a.m. and 3:00 p.m., Monday through Friday, except on holidays.

c) All damaged items, or items which do not comply with specifications will not be accepted and title therefore will not vest to the Waltham Purchasing Department until such items are accepted and signed for, in good order, by the receiving department.

d) The contractor must replace, without further cost to the Waltham Purchasing Department, such damaged or non-complying items before payment will be made.

24. LABELING *(if applicable).*

All packages cartons or other containers must be clearly marked with (a) building and room destination; (b) description of contents of item number from specifications; (c) quantity; (d) City of Waltham Purchase Order Number and (e) Vendor's name and order number.

25. GUARANTEES.

Unless otherwise stipulated in the specifications, furniture, equipment and similar durable items shall be guaranteed by the contractor for a period of not less than one year from the date of delivery and acceptance by the receiving department. In addition, the manufacturer's guarantee shall be furnished. Any items provided under this contract which are or become defective during the guarantee period shall be replaced the contractor free of charge with the specific understanding that all replacements shall carry the same guarantee as the original equipment. The contractor shall make such replacement immediately upon receiving notice from the Purchasing Agent.

26. SINGLE VENDOR.

The Waltham Purchasing Department desires to award a single contract based on the Grand Total Price. However, where applicable, the City reserves the right to make multiple awards on a unit price basis if, in the opinion of the Waltham Purchasing Department, it is in the best interest of the Waltham Purchasing Department.

27. BEST AND FINAL OFFER.

The Waltham Purchasing Department reserves the right to request best and final offers from the lowest responsive and responsible low bidder. Best and final offer will be exercised should the CPO deem it is in the best interest of the City of Waltham in order to obtain the best value.

28. CHANGE ORDERS.

Change orders are not effective until, if, as and when signed by the Mayor and no work is to commence until the change orders are fully executed.

29. BID OPENING INCLEMENT WEATHER

If, at the time of the originally scheduled bid opening, City Hall is closed to inclement weather or another unforeseeable event, the bid opening will be extended until 2:00 PM on the next normal business day. Bids will be accepted until that date and time.

30. TIE BREAK

In the event of a tie where both vendors were responsive and responsible the vendors with a tie agree to a coin toss to determine the winner. The Coin toss will be executed in the presence of both vendors and a witness from the Purchasing Office. The coin will be flipped by the Chief Procurement Officer in the presence of the two bidders. A written record of the process you used, including the results and the names of those participating. The low bidders shall sign an agreement stating that they will abide by the results of the tie breaker. As an alternative, you may allow for a "second round" between the tied vendors.

31. BALANCED BIDDING and PENNY LINE BIDDING

Bids should be made on each separate item of work shown in the BID with reasonable relation to the probable cost of doing the work included in such items. The right is reserved to reject wholly any Bid where an item or items thereof are obviously unbalanced or appear to the CITY to be so unbalanced as to affect or to be liable to affect adversely any interests of the CITY. The attention of the Bidder is called to the fact that unbalancing of Bids may

adversely affect the CONTRACTOR if certain portions of the work are increased or decreased.

32. ORIGINAL SIGNATURES

Where a signature is required in the bid documents, the vendor is required to place an original “wet” signature. The Certificate of Vote Authorization, Certificate of Non Collusion Certificate, Tax Compliance Certificate, Debarment Certification, Notary Public Certification and the Bid Form (price form) MUST bear an original “Wet” signature by the authorized corporate officer. The Notary Public Certification must be from a notary permitted to practice in this country. No certifications by a foreign Notary public will be accepted.

33. PRINTING AND ASSEMBLY BID SUBMISSION

Bid responses shall be submitted in single page printing format. No double sided printing is accepted by the City. The response binding shall be with an appropriately sized clip binder. No staples, no metal or plastic binding is accepted.

GENERAL CONDITIONS

GENERAL CONDITIONS

1. INFORMATION

All information shall come from the Office of the City Agent. The Contractor shall inquire at this office for any information needed. Wherever the words “or equal as approved” are used, it is to be understood that the opinion of the City Agent shall govern.

2. SUITS

The Contractor shall assume defense of and shall indemnify and hold the City and its agents harmless from all suits and claims against them arising from the use of any invention, patent right labor or employment, or from any act of omission or neglect of the Contractor, his agents, employees or any subcontractor in performing the work, under this contract.

3. LAWS AND REGULATIONS

The Contractor shall conform to all the applicable rules, regulations, laws and ordinances of the City of Waltham, the United States of America and all agencies having jurisdiction.

4. PROTECTION OF PROPERTY

The Contractor shall take all proper precautions to protect the City’s property from damage and unnecessary inconvenience. Any City property damaged by the Contractor in carrying out the provisions of this contract shall be restored to its original condition, by and at the expense of the Contractor.

5. PROTECTION OF PERSONS

The Contractor shall take all proper precautions to protect persons from injury, unnecessary inconvenience, and shall be responsible for his failure to do so. The Contractor agrees to hold the City harmless from any and all liabilities of every nature and description, which may be suffered through bodily injury, including death, to any person, by reason of negligence of the Contractor, his agents or employees, or any subcontractor.

6. CONTRACT DURATION.

This contract is for the period required to complete the project from the date first placed by the Mayor's Signature.

7. INSURANCE

A. WORKMAN'S COMPENSATION: The Contractor shall provide by insurance for the payment of compensation and furnishing of other benefits under Chapter 152 of the General Laws of the Commonwealth of Massachusetts to all persons to be employed under this contract, the premiums for which shall be paid by the Contractor.

B. COMPREHENSIVE GENERAL LIABILITY

Bodily Injury:	\$1,000,000 Each Occurrence
	\$2,000,000 Aggregate
Property Damage:	\$1,000,000 Each Occurrence
	\$2,000,000 Aggregate

C. AUTOMOBILE (VEHICLE) LIABILITY

Bodily Injury	\$2,000,000 Each Occurrence
Property Damage	\$1,000,000 Aggregate

D. UMBRELLA POLICY \$2,000,000

Your bid response must include a Certificate of Insurance with the above limits as a minimum. In addition, the Certificate of Insurance must have the following text contained in the bottom left box of the Certificate: *"The City of Waltham is a named additional insured for all insurances under the contract, excluding Automobile and Workers Compensation coverage"*. **Failure by the contractor to provide a current and updated insurance policy, during the entire duration of the contract, may result in additional legal liability.** The Certificate of Insurance must be mailed directly to:

Office of the Purchasing Agent
Purchasing Department
City of Waltham
610 Main Street
Waltham, MA 02452

8. PERFORMANCE AND MATERIALS BONDS

The Contractor agrees to execute and deliver to the City, a Performance and Materials Bond or a Payment Bond EACH in the amount equal to 100% of the contract price. This contract shall not be in force until said bond has been delivered and accepted by the City. Performance and Payment Bonds shall be issued by a company licensed by the Commonwealth of Massachusetts as listed in the following web site: <http://www.mass.gov/ocabr/docs/doi/companies/fidelityandsurety.pdf>

9. PERSONNEL:

The Contractor shall employ a competent supervisor and all properly licensed personnel necessary to perform the services required in this contract. The City Agent shall have the right to require the Contractor to remove and/or replace any of the personnel for nonperformance or for unprofessional behavior. The City Agent may require the Contractor to submit a weekly performance record of the areas and of the work performed, on forms approved by the City Agent. The Contractor or his supervisor shall be available to inspect such work as required by the City Purchasing Agent.

10. MATERIALS

The City or its Agent reserves the right to approve or reject any supplies, material or equipment used by the Contractor. The Contractor agrees to replace any supplies, material or equipment used by the Contractor. The Contractor agrees to replace any rejected supplies, materials or equipment, to the satisfaction of the City or its Agents.

11. TERMINATION OF CONTRACT

This contract may be terminated by the City upon deliverance to the Contractor of a five-day written notice of said termination.

12. CONTRACT OBLIGATIONS

Contract obligations on behalf of the City are subject to an annual appropriation to cover the contract obligation.

13. BIDDER EXPERIENCE EVALUATION

Each bidder shall submit with his bid, all the information relative to their experience and qualifications in performing the work required under this contract and shall

have been in business for a minimum of five (5) years, in order for their bid to be considered.

15. NOT-TO-EXCEED AMOUNT

The bid amount proposed in your company's response is a "not-to- Exceed" amount unless the City makes changes, in writing, to the scope of work to be performed. The Change Order must be signed and approved by the CPO PRIOR to the commencement of the change order work. A change order will be priced at the unit price. Failure to comply with this procedure will result in the cancellation of the contract and the non-payment of services provided

16. FINANCIAL STATEMENTS.

The City may require, within five (5) days after the bid opening, a complete and detailed Financial Statement prepared by a Certified Public Account, to determine a bidder's financial stability.

17. BREACH OF CONTRACT/ NON PERFORMANCE

If the Contractor shall provide services in a manner, which is not to the satisfaction of the City, the City may request that the Contractor refurnish services at no additional cost to the City until approved by the City. If the Contractor shall fail to provide services, which are satisfactory to the City, the City in the alternative may make any reasonable purchase or Contract to purchase services in substitution for those due from the Contractor. The City may deduct the cost of any substitute Contract for nonperformance of services together with incidental and consequential damages from the Contract price and shall withhold such damages from sums due or to become due to the Contractor. If the damages sustained by the City exceed sums due or to become due, the Contractor shall pay the difference to the City upon demand. The Contractor shall not be liable for any damages sustained by the City due to the Contractor's failure to furnish services under the terms of this Contract if such failure is in fact caused by the occurrence of a contingency the nonoccurrence of which was a basic assumption under which this Contract was made, including a state of war, embargoes, expropriation of labor strike or any unanticipated federal, state or municipal governmental regulation of order, provided that the Contractor has notified the City in writing of such cause within seven (7) days after its occurrence.

18 RIGHT TO AUDIT

TheWaltham Purchasing Department has the right to review and audit documents related to this contract. This right extends to any subcontractor, supplier or other entity used by the prime contractor to fulfill the obligations under this contract.

19. CITY ORDINANCE. APPROVAL OF CONTRACTS BY MAYOR, SEC. 3-12 OF THE CITY ORDINANCES.

All contract made by any department, board or commission where the amount involved is two thousand dollars (\$2,000) or more shall be in writing, and no such contract shall be deemed to have been made or executed until the approval of the Mayor is affixed thereto. Any construction contract shall, and all other contracts may, where the contract exceed five thousand dollars (\$5,000) be required to be accompanied by a bond with sureties satisfactory to the Mayor.

20. ACTIVE REPARATION CLAIMS

Does your company or any of its Principals have an active reparation Claim with the City. A claim is any demand by a contract for the payment of disputed invoices, payment penalties, labor disputes, interest, etc. YES _____, NO _____ (*circle or check applicable*). If YES Please explain the nature of the claim, date of the claim and City Department

(Add an additional page if necessary)

21. REVISED MBE/WBE GOALS FOR, (if applicable), CERTAIN STATE FUNDED BUILDING PROJECTS ONLY

Pursuant to M.G.L. c 7, §40N and M.G.L. c. 7, §61, the Supplier Diversity Office (“SDO”) (formerly SOMWBA) and the Division of Capital Asset Management (“DCAM”) have set revised participation goals for Minority Business Enterprise (“MBE”) and Women Business Enterprise (“WBE”) participation for affected state funded building projects and state assisted municipal building projects as defined in the above referenced laws and related Executive Orders, including Executive Orders 524 and 526.

Effective January 1, 2012, and until such time as the goals may be revised, the MBE and WBE participation goals for building construction and design awards and expenditures on

new projects advertised on or after the effective date will be a combined MBE/WBE goal as follows:

14.4% combined MBE/WBE participation on construction contract awards;
Overall annual designations by awarding authorities, as well as MBE/WBE participation on individual projects with a combined MBE/WBE participation goal, must include a reasonable representation of both MBE and WBE firms that meets or exceeds the combined goal. Proposed MBE/WBE participation plans that include solely MBE or solely WBE participation, or do not include a reasonable amount of participation by both MBE and WBE firms to meet the combined goal, will not be considered responsive. Where the prime contractor or designer is an SDO certified MBE or WBE, the prime must bring a reasonable amount of participation by a firm or firms that hold the certification which is not held by the prime contractor or designer on the project. Proposed participation on construction projects or design projects which consists solely of either an MBE or WBE representing 100% of the overall combined goal will not be considered reasonable participation. The SDO and DCAM will determine whether there is reasonable participation by both MBE and WBE firms on individual projects under their respective oversight. Firms submitting MBE/WBE participation plans which do not provide reasonable participation by both MBE/WBE firms shall be provided an opportunity to revise and resubmit their plans within the time frame set by the awarding authority; however no price adjustments shall be permitted as a result of the revised plan. Firms failing to submit an MBE/WBE participation plan deemed reasonable and accepted by the awarding authority shall not be awarded the contract.

Participation by MBE and WBE firms must be documented, tracked and reported on separately as MBE participation and WBE participation by prime vendors, subcontractors and awarding authorities.

22. THE CITY OF WALTHAM EQUAL EMPLOYMENT OPPORTUNITY AND AFFIRMATIVE ACTION POLICY

The City of Waltham is committed to a policy of equal employment opportunity and to a program of affirmative action in order to fulfill that policy. The City will accordingly recruit and hire into all positions the most qualified persons in light of job-related requirements, and applicants and employees shall be treated in employment matters without regard to unlawful criteria including race, color, religion, ancestry, national

origin, sex, sexual orientation, disability, age, positive HIV-related blood test results, status as a disabled or Vietnam Era Veteran, genetic information, or gender identity or expression, as these terms are defined under applicable law, or any other factor or characteristic protected by law.

In addition, The City of Waltham recognizes that discriminatory harassment and sexual harassment are forms of unlawful discrimination, and it is, therefore, the policy of the City of Waltham that discriminatory harassment and sexual harassment will not be tolerated. The City of Waltham also prohibits unlawful harassment on the basis of other characteristics protected by law.

Further, employees and applicants will not be subjected to harassment or retaliation because they have engaged in or may engage in the following: filing a complaint or assisting or participating in an investigation regarding alleged discrimination or harassment as prohibited in the policy statement above; filing a complaint or assisting or participating in an investigation, compliance evaluation, or any other activity related to the administration of the Vietnam Era Veterans' Readjustment Assistance Act of 1974 ("VEVRAA"), Section 503 of the Rehabilitation Act of 1973 ("Rehabilitation Act"), or the Affirmative Action provisions of federal, state or local law; opposing any act or practice made unlawful by VEVRAA requiring equal employment opportunities for individuals with disabilities, disabled veterans, or veterans of the Vietnam Era; or exercising any rights under VEVRAA or the Rehabilitation Act.

Sources: Titles VI and VII of the Civil Rights Act of 1964; the Immigration Reform and Control Act of 1986; Title IX of the Education Amendments of 1972; the Equal Pay Act of 1963; the Age Discrimination in Employment Act of 1967; the Age Discrimination Act of 1975; Sections 503 and 504 of the Rehabilitation Act of 1973; the Americans with Disabilities Act of 1990; Section 402 of the Vietnam-Era Veterans Readjustment Assistance Act of 1974; Executive Order 11246 as amended; The Genetic Information Nondiscrimination Act of 2008 and such other federal, state and local non-discrimination laws as may apply.

23. BUY RECYCLING REQUIREMENTS

The City of Waltham's Buy Recycling Procedure follows the EPA's Comprehensive Procurement Guideline (CPG) program promoting the use of materials recovered from solid waste. Buying recycled-content products ensures that the materials collected in recycling programs will be used again in the manufacturing of new products. The City requires that the purchase of products and material supplied by subcontractors originate, as often as practical, from the recycling of previously used materials.

24. M.G.L. A. 156C § 67. CERTIFICATION OF AUTHORITY TO ACT FOR A LIMITED LIABILITY COMPANY (LLC)

Limited Liability corporations are required to file with the City a certificate showing they have the authority to contract.

Any person who is identified on the certificate of organization, as amended, of a domestic limited liability company, or on the application for registration, as amended, of a foreign limited liability company, as a manager or as a person who is authorized to execute any documents to be filed with the office of the state secretary, is required to certify as to the incumbency of any manager or member and as to the authority of any person, whether or not such person is identified on the certificate of organization or on the application for registration, to act for the limited liability company, including without limitation with respect to the matters referred to in section sixty-six, and any such certification shall be binding on the limited liability company in favor of a person relying in good faith on such certification, notwithstanding any inconsistent provisions of the operating agreement, side agreements among the members, the managers or both, by-laws or rules, resolutions or votes of the limited liability company.

Specifications

The selected Contractor shall procure and install 100 watt and 250 watt Leoteck LED lights as specified in the following pages.

Appendix A shows the number of LED fixture already replaced by the City and the number left to be converted from Mercury (1 unit) and Sodium to LED.

The Power Supply is to be mounted and wired in accordance with Article 450 of the National Electric Code (NEC) and in accordance with all State and Local codes. Failure to install the Power Supply and light fixture in compliance with applicable codes and regulations may cause serious personal injury, death and/or major property damage.

The hardwired installation of the Power Supply shall only be performed by a qualified and licensed electrician.

Removed fixtures shall be saved and returned to the City's Wire Department. The Wire Department may choose to keep them or instruct the vendor to recycle the fixtures.

The Contractor agrees to seek all available incentives from the local utilities by completing the required applications and submit the same. While the City shall be kept constantly informed as to the progress of gaining the incentives, the City may also assist with this process.

The Contractor agrees and acknowledges that the incentives/credits/rebates/kickbacks are the property of the City. The contractor also agrees to follow up with the utilities until all incentives are received by the City

The Project must be completed within **ninety (90) Calendar days** from the date of the Notice-To-Proceed.

Specifications for 100 Watt Leotek LED Street Lights

GreenCobra™ Jr. LED Street Light

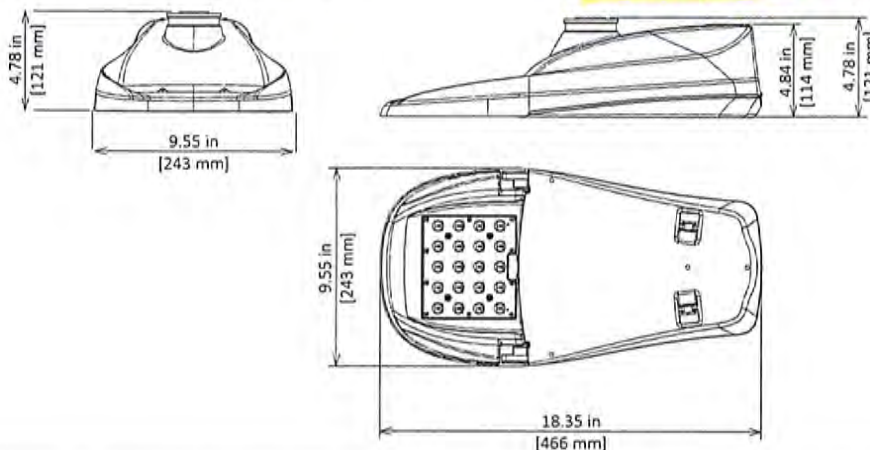
GCJ H-Series Specification Data Sheet

100w

100 WATTS

Luminaire Data

Weight 7 lbs [3.2 kg]
EPA 0.39 ft²



Ordering Information

Sample Catalog No. GCJ1 20H MV NW 2R GY 580

Product	LED Code	Voltage	Color Temperature	Distribution	Finish	GCJ0 Drive Current Code ¹	Options
GCJ0	15H	MV 120-277V	WW 3000K NW 4000K CW 5000K	2R Type 2 3 Type 3 4 Type 4 5 Type 5	GY Gray DB Dark Bronze BK Black	300 390 490 590 700	FDC ² Fixed Drive Current LPCR Less Photocontrol Receptacle PCR5 ³ ANSI 5-wire Photocontrol Receptacle PCR7 ³ ANSI 7-wire Photocontrol Receptacle
GCJ1	20H					GCJ1 Drive Current Code ¹ 350 450 530 580 680 700	PCR5-CR ⁴ Control Ready 5-wire PC Receptacle PCR7-CR ⁴ Control Ready 7-wire PC Receptacle WL Utility Wattage Label 4B 4-Bolt Mounting Bracket
GCJ2	20H					GCJ2 Drive Current Code ¹ 700 830 900 1A	DSC Door Safety Cable RWG Rubber Wildlife Guard

Notes:

- 1 Factory set drive current, field adjustable standard. Refer to Performance Data Table. Consult factory if wattage limits require a special drive current.
- 2 Non-field adjustable, fixed drive current. Specify required drive current code. Not available with PCR5-CR or PCR7-CR options.
- 3 Field adjustable current selector included. Wireless node dimming is disabled, field changeable connectors included to enable dimming with PCR5/7.
- 4 Control-ready wiring at factory for wireless node dimming. Default maximum drive current code (700 or 1A) must be specified.
- 5 Flush mounted house side shield. Shield cuts light off at 1/2 mounting height behind luminaire.
- 6 Flush mounted cul-de-sac shield. Shield cuts light off at 1/2 mounting height behind luminaire and 1-1/2 mounting height on either side of luminaire.
- 7 Specify Color (GY, DB, BK)

Accessories*

HSS ⁵	House Side Shield, Snap-On*
CSS ⁶	Cul-De-Sac Side Shield, Snap-On*
SPB ⁷	Square Pole Horizontal Arm Bracket
RPB ⁷	Round Pole Horizontal Arm Bracket
PTB ⁷	Pole Top Tenon Horizontal Arm Bracket
WB ⁷	Wall Horizontal Arm Bracket
BSK	Bird Deterrent Spider Kit
PC	Twist Lock Photocontrol
LLPC	Long-Life Twist Lock Photocontrol
SC	Twist Lock Shorting Cap

*Accessories are ordered separately and not to be included in the catalog number. For factory installed HSS, CSS specify as option in luminaire catalog number.

Luminaire Specifications

Housing

Die cast aluminum housing with universal two-bolt slip fitter mounts to 1-1/4" to 2" (1-5/8" to 2-3/8" O.D.) diameter mast arm. One-piece aluminum housing provides passive heat-sinking of the LEDs and has upper surfaces that shed precipitation. Four-bolt mounting bracket is available. Mounting provisions meet 3G vibration per ANSI C136.31-2001 Normal Application, Bridge & Overpass. Mounting has leveling adjustment from ± 5° in 2.5° steps. Electrical components are accessed without tools via a high-strength, non-conductive polycarbonate door with quick-release latches. Polycarbonate material meets UL 746C for outdoor usage. Available rubber wildlife guard (RWG option) conforms to mast arm with no gaps.

Light Emitting Diodes

Hi-flux/Hi-power white LEDs produce a minimum of 90% of initial intensity at 100,000 hours of life based on IES TM-21. LEDs are tested in accordance with IES LM-80 testing procedures. LEDs have correlated color temperature of 3000K (WW), 4000K (NW), or 5000K (CW) and 70 CRI minimum. LEDs are 100% mercury and lead free.

Optical Systems

Micro-lens optical systems produce IESNA Type 2, Type 3, Type 4, or Type 5 distributions and are fully sealed to maintain an IP66 rating. Luminaire produces 0% total lumens above 90° (BUG Rating, U=0). Optional house side shield cuts light off at 1/2 mounting height behind luminaire. Cul-de-sac shield provides back and side light control for end of cul-de-sac applications. Both shields are field installable without tools.

Electrical

Rated life of electrical components is 100,000 hours. Uses isolated power supply that is 1-10V dimmable. Power supply is wired with quick-disconnect terminals. LED drive current can be changed in the field to adjust light output for local conditions (not available with PCR5-CR or PCR7-CR options). Power supply features a minimum power factor of .90 and <20% Total Harmonic Distortion (THD). EMC meets or exceeds FCC CFR Part 15. Terminal block accommodates 6 to 14 gauge wire. Surge protection complies with IEEE/ANSI C62.41 Category C High, 20kV/10kA.

Controls

3-Wire photocontrol receptacle is standard. ANSI C136.41 5-wire (PCR5) or 7-wire (PCR7) photocontrol receptacles are available. All photocontrol receptacles have tool-less rotatable bases. Wireless control module is provided by others.

Finish

Housing receives a durable, fade-resistant polyester powder coat finish. Finish tested to withstand 5000 hours in salt spray exposure per ASTM B117. Finish tested 500 hours in UV exposure per ASTM G154 and meets ASTM D523 gloss retention.

Listings/Ratings/Labels

Luminaires are UL listed for use in wet locations in the United States and Canada. DesignLights Consortium™ qualified 120-277V product. International Dark Sky Association listed. Luminaire is qualified to operate at ambient temperatures of -40°C to 40°C. Assembled in the U.S.A

Photometry

Luminaires photometrics are tested by certified independent testing laboratories in accordance with IES LM-79 testing procedures.

Warranty

10-year limited warranty is standard on luminaire and components.

Adjustable Drive Current Code Ranges

Field adjustable drive current selections can be made according to the table below. For GCJ0 and GCJ2, all drive current codes are selectable with all products. For GCJ1, the other selectable drive currents depend on if the product is specified with a drive current from Range 1 or Range 2 below.

GCJ0 Range	GCJ1		GCJ2 Range
	Range 1	Range 2	
300	350	450	700
390	580	530	830
490	700	680	900
590			1A
700			

Performance Data: 3000K (WW)

Consult factory for IES files or LM-79 reports.

Product	LED Code	Drive Current Code	System Wattage (W)	Delivered Lumens (Lm) ¹	Efficacy (Lm/W)
GCJ0	15H	300 ²	15	1810	121
		390 ²	19	2280	120
		490 ³	24	2840	118
		590	30	3410	114
		700	35	3910	112
GCJ1	20H	350 ³	25	3040	122
		450	29	3470	120
		530	34	3980	117
		580	39	4470	115
		680	44	4960	113
		700	46	5130	112
GCJ2	20H	700	45	5020	112
		830	54	5780	107
		900	58	6120	106
		1A	68	6960	102

Notes:

1 Nominal lumens. Normal tolerance $\pm 10\%$ due to factors including distribution type, LED bin variance, and ambient temperatures.

2 DLC Approved only at 120VAC.

3 DLC Approved at 120-240VAC.

Performance Data: 4000K (NW) and 5000K (CW)

Consult factory for IES files or LM-79 reports.

Product	LED Code	Drive Current Code	System Wattage (W)	Delivered Lumens (Lm) ¹	Efficacy (Lm/W)
GCJ0	15H	300 ²	15	2000	133
		390 ²	19	2490	131
		490 ³	24	3070	128
		590	30	3650	122
		700	35	4180	119
GCJ1	20H	350 ³	25	3240	130
		450	29	3720	128
		530	34	4320	127
		580	39	4850	124
		680	44	5370	122
		700	46	5510	120
GCJ2	20H	700	45	5430	121
		830	54	6210	115
		900	58	6630	114
		1A	68	7430	109

Notes:

1 Nominal lumens. Normal tolerance $\pm 10\%$ due to factors including distribution type, LED bin variance, and ambient temperatures.

2 DLC Approved only at 120VAC.

3 DLC Approved at 120-240VAC.

BUG Ratings: 3000K (WW)

All data nominal. IES files for all CCTs are available at leotek.com.

Product & LED Code	Drive Current Code	Type 2R	Type 3	Type 4	Type 5
		BUG Rating	BUG Rating	BUG Rating	BUG Rating
GCJ0 15H	300	B0 U0 G0	B1 U0 G1	B1 U0 G1	B1 U0 G0
	390	B1 U0 G0	B1 U0 G1	B1 U0 G1	B1 U0 G0
	490	B1 U0 G1	B1 U0 G1	B1 U0 G1	B2 U0 G0
	590	B1 U0 G1	B1 U0 G1	B1 U0 G1	B2 U0 G0
	700	B1 U0 G1	B1 U0 G1	B1 U0 G1	B2 U0 G1
GCJ1 20H	350	B1 U0 G1	B1 U0 G1	B1 U0 G1	B2 U0 G0
	450	B1 U0 G1	B1 U0 G1	B1 U0 G1	B2 U0 G0
	530	B1 U0 G1	B1 U0 G1	B1 U0 G1	B2 U0 G1
	580	B1 U0 G1	B1 U0 G1	B1 U0 G1	B2 U0 G1
	680	B1 U0 G1	B1 U0 G1	B2 U0 G1	B3 U0 G1
	700	B1 U0 G1	B2 U0 G1	B2 U0 G1	B3 U0 G1
GCJ2 20H	700	B1 U0 G1	B1 U0 G1	B2 U0 G1	B3 U0 G1
	830	B1 U0 G1	B2 U0 G2	B2 U0 G1	B3 U0 G1
	900	B1 U0 G1	B2 U0 G2	B2 U0 G1	B3 U0 G1
	1A	B1 U0 G2	B2 U0 G2	B2 U0 G2	B3 U0 G1

BUG Ratings: 4000K (NW) and 5000K (CW)

All data nominal. IES files for all CCTs are available at leotek.com.

Product & LED Code	Drive Current Code	Type 2R	Type 3	Type 4	Type 5
		BUG Rating	BUG Rating	BUG Rating	BUG Rating
GCJ0 15H	300	B1 U0 G0	B1 U0 G1	B1 U0 G1	B1 U0 G0
	390	B1 U0 G0	B1 U0 G1	B1 U0 G1	B1 U0 G0
	490	B1 U0 G1	B1 U0 G1	B1 U0 G1	B2 U0 G0
	590	B1 U0 G1	B1 U0 G1	B1 U0 G1	B2 U0 G1
	700	B1 U0 G1	B1 U0 G1	B1 U0 G1	B2 U0 G1
GCJ1 20H	350	B1 U0 G1	B1 U0 G1	B1 U0 G1	B2 U0 G1
	450	B1 U0 G1	B1 U0 G1	B1 U0 G1	B2 U0 G1
	530	B1 U0 G1	B1 U0 G1	B1 U0 G1	B2 U0 G1
	580	B1 U0 G1	B1 U0 G1	B2 U0 G1	B3 U0 G1
	680	B1 U0 G1	B2 U0 G1	B2 U0 G1	B3 U0 G1
	700	B1 U0 G1	B2 U0 G1	B2 U0 G1	B3 U0 G1
GCJ2 20H	700	B1 U0 G1	B2 U0 G1	B2 U0 G1	B3 U0 G1
	830	B1 U0 G1	B2 U0 G2	B2 U0 G1	B3 U0 G1
	900	B1 U0 G1	B2 U0 G2	B2 U0 G2	B3 U0 G1
	1A	B1 U0 G2	B2 U0 G2	B2 U0 G2	B3 U0 G1

Specifications for 250 Watt Leotek LED Street Lights

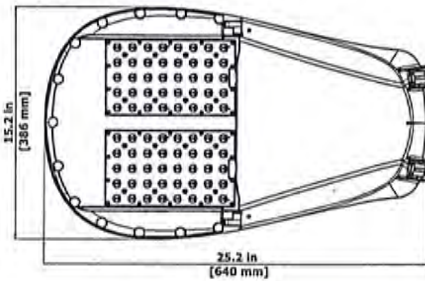
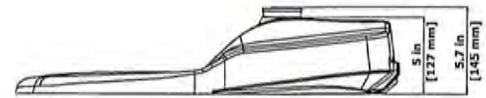
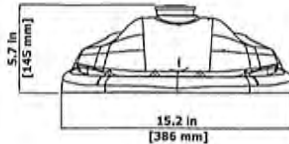
GreenCobra™ LED Street Light *250W*

GCL G-Series Specification Data Sheet

250 Wt

Luminaire Data

Weight 18 lbs [8.17 kg]
EPA 0.8 ft.²



Ordering Information

Sample Catalog No. GCL1 60G MV WW 2S GY 350 PCR7 RWG

Product	LED Code	Voltage	Color Temperature	Distribution	Finish ¹	GCL1 Current Code ²	Options
GCL1	60G 80G	MV 120-277V HV 347-480V	WW 3000K NW 4000K CW 5000K	2S Type 2 Short	GY Gray	350 450 530 610 700	FDC ³ Fixed Drive Current LPCR Less Photocontrol Receptacle PCR7 ⁴ ANSI 7-wire Photocontrol Receptacle PCR7-CR ⁵ Control Ready 7-wire Photocontrol Receptacle
				2R Type 2 Medium	DB Dark Bronze		
				3R Type 3 Medium	BK Black		
				4 Type 4			
				5 Type 5			
GCL2	60G					GCL2 Current Code ² 750 800 900 975 1A	4B 4-Bolt Slip-Fitter RWG Rubber Wildlife Guard WL Utility Wattage Label BBL Bubble Level

Notes:

- 1 Gray, Black and Dark Bronze standard. Consult factory for other finishes.
- 2 Factory set drive current, field adjustable standard. Refer to Performance Data Table. Consult factory if wattage limits require a special drive current.
- 3 Non-field adjustable, fixed drive current. Specify required drive current. Not available with PCR7-CR option.
- 4 Field adjustable current selector included. Wireless node dimming is disabled, field changeable connectors included to enable dimming with PCR7.
- 5 Control-ready wiring at factory for wireless node dimming. Supplied at maximum drive current. If lower drive current is required, consult factory.
- 6 Flush mounted house side shield. Shield cuts light off at 1/2 mounting height behind luminaire.
- 7 Flush mounted cul-de-sac shield. Shield cuts light off at 1/2 mounting height behind luminaire and 1-1/2 mounting height on either side of luminaire.
- 8 Specify Color (GY, DB, BK)
- 9 Specify MV (120-277V) or HV (347V-480V)

Accessories^{*}

HSSGCL ⁶	House Side Shield, Snap-On*
CSSGCL ⁷	Cul-De-Sac Side Shield, Snap-On*
SPB ⁸	Square Pole Horizontal Arm Bracket
RPB ⁸	Round Pole Horizontal Arm Bracket
PTB ⁸	Pole Top Tenon Horizontal Arm Bracket
PTB2 ⁸	Pole Top Tenon Horizontal Arm Bracket (2@180°)
WB ⁸	Wall Horizontal Arm Bracket
BSK	Bird Deterrent Spider Kit
PC ⁹	Twist Lock Photocontrol
LLPC ⁹	Long-Life Twist Lock Photocontrol
SC	Twist Lock Shorting Cap

*Accessories are ordered separately and not to be included in the catalog number. For factory installed HSS, CSS consult factory.

Luminaire Specifications**Housing**

Die cast aluminum housing with universal two-bolt slip fitter mounts to 1-1/4" to 2" (1-5/8" to 2-3/8" O.D.) diameter mast arm. Four-bolt mounting bracket (4B option) is available. Mounting provisions meet 3G vibration per ANSI C136.31-2001 Normal Application, Bridge & Overpass. Mounting has leveling adjustment from ± 5° in 2.5° steps. Electrical components are accessed without tools via high-strength, non-conductive polycarbonate door with stainless steel quick-release latches. Polycarbonate material is UL recognized and meets UL 746C for outdoor usage. Standard mast arm guard is Polycarbonate with removable insert. Available rubber wildlife guard (RWG option) conforms to mast arm with no gaps.

Light Emitting Diodes

Hi-flux/Hi-power white LEDs produce a minimum of 90% of initial intensity at 100,000 hours of life based on IES TM-21 (L90 = 100k hours). LEDs are tested in accordance with IES LM-80 testing procedures. LEDs have correlated color temperature of 3000K (WW), 4000K (NW), or 5000K (CW) and 70 minimum CRI. LEDs are ROHS compliant, 100% mercury and lead free.

Quality Control

Every luminaire is performance tested before and after a 2-hour burn-in period. Assembled in the USA.

Optical Systems

Micro-lens systems produce IESNA Type 2 Short (2S), Type 2 Medium (2R), Type 3 Medium (3R), Type 4 (4), and Type 5 (5) distributions. Luminaire produces 0% total lumens above 90° (BUG Rating, U=0). Optical systems maintain an IP66 rating. Optional house side shield cuts light off at 1/2 mounting height behind luminaire. Cul-de-sac shield provides back and side light control for end of cul-de-sac applications. Both shields are field installable without tools.

Electrical

Power supply life is rated for 100,000 hours. Power Supply is 1-10V dimmable. Power supply features a minimum power factor of .90 and <20% Total Harmonic Distortion (THD). EMC meets or exceeds FCC CFR Part 15. Terminal block accommodates 6 to 14 gauge wire and is aligned for straight wire entry. Surge protection complies with IEEE/ANSI C62.41 Category C High, 20kV/10kA and ANSI C136.2-2015, 20kV/10kA.

Controls

3-Wire photocontrol receptacle is standard. ANSI C136.41 7-wire (PCR7) photocontrol receptacle is available. All photocontrol receptacles have tool-less rotatable base. Wireless control module is provided by others.

Finish

Housing receives a fade and abrasion resistant polyester powder coat finish with 3.0 mil nominal thickness. Finish tested 5000 hours in salt spray exposure per ASTM B117. Finish meets scribe creepage rating 8 per ASTM D1654. Finish tested 500 hours in UV exposure per ASTM G154 and meets ASTM D523 gloss retention.

Listings/Ratings/Labels

Luminaires are UL listed for use in wet locations in the United States and Canada. DesignLights Consortium™ qualified product. Consult DLC QPL for Standard and Premium Classification Listings. International Dark Sky Association listed. Luminaire is qualified to operate at ambient temperatures of -40°C to 40°C.

Photometry

Luminaires photometrics are tested by certified independent testing laboratories in accordance with IES LM-79 testing procedures.

Warranty

10-year limited warranty is standard on luminaire and components.

Standards

Luminaire complies with:
ANSI: C136.2, C136.3, C136.10, C136.13, C136.15, C136.22, C136.31, C136.35, C136.37, C136.41, C62.41, C78.377, C82.77
Other: FCC 47 CFR, IEC 60598, ROHS II, UL 1449, UL 1598

Performance Data

All data nominal. IES files for all CCTs available at leotek.com.

3000K (WW)

Product	LED Code	Drive Current Code	System Wattage (W)	Delivered Lumens (Lm)	Efficacy (Lm/W) ¹
GCL1	60G	350	70	8800	126
		450	85	10500	124
		530	105	12700	121
		610	120	14200	118
		700	135	15600	116
GCL1	80G	350	85	11150	131
		450	115	14400	125
		530	130	16000	123
		610	160	18700	117
		700	185	20800	112
GCL2	60G	750	149	17500	117
		800	163	18600	114
		900	183	20100	110
		975	192	20600	107
		1A	208	21700	104

Notes:

¹ Nominal lumens. Normal tolerance $\pm 10\%$ due to factors including distribution type, LED bin variance, and ambient temperatures.

4000K (NW) and 5000K (NW)

Product	LED Code	Drive Current Code	System Wattage (W)	Delivered Lumens (Lm)	Efficacy (Lm/W) ¹
GCL1	60G	350	70	9250	132
		450	85	11000	129
		530	105	13300	127
		610	120	15000	125
		700	135	16400	121
GCL1	80G	350	85	11700	138
		450	115	15200	132
		530	130	16800	129
		610	160	20000	125
		700	185	22100	119
GCL2	60G	750	149	18500	124
		800	163	19600	120
		900	183	21200	116
		975	192	21800	114
		1A	208	22900	110

Notes:

¹ Nominal lumens. Normal tolerance $\pm 10\%$ due to factors including distribution type, LED bin variance, and ambient temperatures.

BUG Ratings

3000K (WW)

			Type 2S	Type 2R	Type 3R	Type 4	Type 5
Product	LED Code	Drive Current Code	BUG Rating	BUG Rating	BUG Rating	BUG Rating	BUG Rating
GCL1	60G	350	B2 U0 G2	B1 U0 G2	B2 U0 G2	B2 U0 G2	B3 U0 G2
		450	B2 U0 G2	B2 U0 G2	B2 U0 G2	B2 U0 G2	B3 U0 G2
		530	B2 U0 G2	B2 U0 G2	B2 U0 G2	B3 U0 G2	B4 U0 G2
		610	B2 U0 G2	B2 U0 G2	B3 U0 G3	B3 U0 G3	B4 U0 G2
		700	B2 U0 G2	B2 U0 G2	B3 U0 G3	B3 U0 G3	B4 U0 G2
	80G	350	B2 U0 G2	B2 U0 G2	B2 U0 G2	B2 U0 G2	B3 U0 G2
		450	B2 U0 G2	B2 U0 G2	B3 U0 G3	B3 U0 G3	B4 U0 G2
		530	B2 U0 G2	B2 U0 G2	B3 U0 G3	B3 U0 G3	B4 U0 G2
		610	B3 U0 G2	B3 U0 G2	B3 U0 G3	B3 U0 G3	B4 U0 G2
		700	B3 U0 G2	B3 U0 G3	B3 U0 G3	B3 U0 G3	B4 U0 G2
GCL2	60G	750	B3 U0 G2	B3 U0 G2	B3 U0 G3	B3 U0 G3	B4 U0 G2
		800	B3 U0 G2	B3 U0 G3	B3 U0 G3	B3 U0 G3	B4 U0 G2
		900	B3 U0 G2	B3 U0 G3	B3 U0 G3	B3 U0 G3	B4 U0 G2
		975	B3 U0 G2	B3 U0 G3	B3 U0 G3	B3 U0 G3	B4 U0 G2
		1A	B3 U0 G2	B3 U0 G3	B3 U0 G3	B3 U0 G3	B4 U0 G2

4000K (NW)

			Type 2S	Type 2R	Type 3R	Type 4	Type 5
Product	LED Code	Drive Current Code	BUG Rating	BUG Rating	BUG Rating	BUG Rating	BUG Rating
GCL1	60G	350	B1 U0 G2	B2 U0 G2	B2 U0 G2	B2 U0 G2	B3 U0 G2
		450	B2 U0 G2	B2 U0 G2	B2 U0 G2	B2 U0 G2	B3 U0 G2
		530	B2 U0 G2	B2 U0 G2	B2 U0 G2	B3 U0 G2	B4 U0 G2
		610	B2 U0 G2	B2 U0 G2	B3 U0 G3	B3 U0 G3	B4 U0 G2
		700	B2 U0 G2	B2 U0 G2	B3 U0 G3	B3 U0 G3	B4 U0 G2
	80G	350	B2 U0 G2	B2 U0 G2	B2 U0 G2	B3 U0 G2	B3 U0 G2
		450	B2 U0 G2	B2 U0 G2	B3 U0 G3	B3 U0 G3	B4 U0 G2
		530	B3 U0 G2	B2 U0 G2	B3 U0 G3	B3 U0 G3	B4 U0 G2
		610	B3 U0 G2	B3 U0 G3	B3 U0 G3	B3 U0 G3	B4 U0 G2
		700	B3 U0 G3	B3 U0 G3	B3 U0 G3	B3 U0 G3	B4 U0 G2
GCL2	60G	750	B3 U0 G2	B3 U0 G3	B3 U0 G3	B3 U0 G3	B4 U0 G2
		800	B3 U0 G2	B3 U0 G3	B3 U0 G3	B3 U0 G3	B4 U0 G2
		900	B3 U0 G2	B3 U0 G3	B3 U0 G3	B3 U0 G3	B4 U0 G2
		975	B3 U0 G2	B3 U0 G3	B3 U0 G3	B3 U0 G3	B4 U0 G2
		1A	B3 U0 G3	B3 U0 G3	B3 U0 G3	B3 U0 G3	B4 U0 G2

BUG Ratings

5000K (CW)

			Type 2S	Type 2R	Type 3R	Type 4	Type 5	
Product	LED Code	Drive Current Code	BUG Rating	BUG Rating	BUG Rating	BUG Rating	BUG Rating	
GCL1	60G	350	B1 U0 G2	B2 U0 G2	B2 U0 G2	B2 U0 G2	B3 U0 G2	
		450	B2 U0 G2	B2 U0 G2	B2 U0 G2	B2 U0 G2	B3 U0 G2	
		530	B2 U0 G2	B2 U0 G2	B2 U0 G2	B3 U0 G2	B4 U0 G2	
		610	B2 U0 G2	B2 U0 G2	B3 U0 G3	B3 U0 G3	B4 U0 G2	
		700	B2 U0 G2	B2 U0 G2	B3 U0 G3	B3 U0 G3	B4 U0 G2	
	60G	350	B1 U0 G2	B2 U0 G2	B2 U0 G2	B2 U0 G2	B2 U0 G2	B3 U0 G2
		450	B2 U0 G2	B2 U0 G2	B2 U0 G2	B2 U0 G2	B2 U0 G2	B3 U0 G2
		530	B2 U0 G2	B2 U0 G2	B2 U0 G2	B3 U0 G2	B4 U0 G2	
		610	B2 U0 G2	B2 U0 G2	B3 U0 G3	B3 U0 G3	B4 U0 G2	
		700	B2 U0 G2	B2 U0 G2	B3 U0 G3	B3 U0 G3	B4 U0 G2	
GCL2	60G	750	B3 U0 G2	B3 U0 G3	B3 U0 G3	B3 U0 G3	B4 U0 G2	
		800	B3 U0 G2	B3 U0 G3	B3 U0 G3	B3 U0 G3	B4 U0 G2	
		900	B3 U0 G2	B3 U0 G3	B3 U0 G3	B3 U0 G3	B4 U0 G2	
		975	B3 U0 G2	B3 U0 G3	B3 U0 G3	B3 U0 G3	B4 U0 G2	
		1A	B3 U0 G2	B3 U0 G3	B3 U0 G3	B3 U0 G3	B4 U0 G2	

Compliance

(Required Documents.)

Compliance

The compliance documents in this section must be completed, signed and returned with your bid package.

Purchasing Department

City of Waltham
610 Main Street
Waltham, MA 02452

Failure to submit the completed documents will cause the disqualification of the proposal.

Section Index

	Check when Complete
• Non-collusion form and tax compliance form.....	_____
• Corporation Identification Form.....	_____
• Certificate of Vote Authority.....	_____
• Certificate of Vote Authority, Limited Liability Company (If an LLC)	_____
• Three (3) References.....	_____
• Workman’s and General Liability Insurance.....	_____
• Debarment Certificate	_____
• OSHA 10 Certificate for all Assigned Employees (MGL ch. 30, §39M and Ch 149)_____	_____

Before the commencement of the Job, the contractor must provide to the above office:

- Performance Bond and Payment Bond each for 100% of the contract value

Your Company’s Name: _____

Service or Product Bid _____

NOTE: Failure to submit any of the required documents, in this or in other sections, with your bid response package may cause the disqualification of your proposal.

(Original signature is required)

NON-COLLUSION FORM AND TAX COMPLIANCE FORM

CERTIFICATE OF NON-COLLUSION

The undersigned certifies under penalties of perjury that this bid or proposal has been made and submitted in good faith and without collusion or fraud with any other person. As used in this certification, the word “person” shall mean any natural person, business, partnership, corporation, union, committee, club, or other organization, entity or group of individuals. The undersigned certifies that no representations made by any City officials, employees, entity, or group of individuals other than the Purchasing Agent of the City of Waltham was relied upon in the making of this bid

(Signature of person signing bid or proposal)

(Name of business)

(Original signature is required)

TAX COMPLIANCE CERTIFICATION

Pursuant to M.G.L. c. 62C, & 49A, I certify under the penalties of perjury that, to the best of my knowledge and belief, I am in compliance with all laws of the Commonwealth relating to taxes, reporting of employees and contractors, and withholding and remitting child support.

Signature of person submitting bid or proposal

Name of business

NOTE

Failure to submit any of the required documents, in this or in other sections, with your bid response package may cause the disqualification of your proposal.

CERTIFICATE OF VOTE OF AUTHORIZATION

Date:

I _____, Clerk of _____ hereby certify that at a meeting of the Board of Directors of said Corporation duly held on the _____ day of _____ at which time a quorum was present and voting throughout, the following vote was duly passed and is now in full force and effect:

VOTED: That _____ (name) is hereby authorized, directed and empowered for the name and on behalf of this Corporation to sign, seal with the corporate seal, execute, acknowledge and deliver all contracts and other obligations of this Corporation; the execution of any such contract to be valid and binding upon this Corporation for all purposes, and that this vote shall remain in full force and effect unless and until the same has been altered, amended or revoked by a subsequent vote of such directors and a certificate of such later vote attested by the Clerk of this Corporation.

I further certify that _____ is duly elected/appointed _____ of said corporation

SIGNED:

(Corporate Seal)

Clerk of the Corporation:

Print Name: _____

COMMONWEALTH OF MASSACHUSETTS

County of _____

Date:

Then personally appeared the above named and acknowledged the foregoing instrument to be their free act and deed before me, _____

Notary Public;

My Commission expires: _____

(Original signature is required)

CORPORATION IDENTIFICATION

The bidder for the information of the Awarding Authority furnishes the following information.

If a Corporation:

Incorporated in what state _____
President _____
Treasurer _____
Secretary _____
Federal ID Number _____

If a foreign (out of State) Corporation – Are you registered to do business in Massachusetts?

Yes _____, No _____

If you are selected for this work you are required under M.G.L.ch. 30S, 39L to obtain from the Secretary of State, Foreign Corp. Section, State House, Boston, a certificate stating that you Corporation is registered, and furnish said certificate to the Awarding Authority prior to the award.

If a Partnership: (Name all partners)

Name of partner _____
Residence _____
Name of partner _____
Residence _____

If an Individual:

Name _____
Residence _____

If an Individual doing business under a firm’s name:

Name of Firm _____
Name of Individual _____
Business Address _____
Residence _____
Date _____

Name of Bidder _____
By _____
Signature _____
Title _____

Business Address _____ (POST OFFICE BOX NUMBER NOT ACCEPTABLE)

City _____ State _____ Telephone Number _____

PROVIDE THREE (3) SERVICE APPROPRIATE REFERENCES

1. Company Name:

Address:

Contact Name:

Phone #

Type of service/product provided to this Company:

Dollar value of service provided to this Company:

2. Company Name:

Address:

Contact Name:

Phone #

Type of service/product provided to this Company:

Dollar value of service provided to this Company:

3. Company Name:

Address:

Contact Name:

Phone #

Type of service/product provided to this Company:

Dollar value of service provided to this Company:

NOTE

Failure to submit any of the required documents, in this or in other sections, with your bid response package will be cause for the disqualification of your company.

(Original signature is required)

DEBARMENT CERTIFICATION

In connection with this bid and all procurement transactions, by signature thereon, the respondent certifies that neither the company nor its principals are suspended, debarred, proposed for debarment, declared ineligible, or voluntarily excluded from the award of contracts, procurement or non procurement programs from the Commonwealth of Massachusetts, the US Federal Government and /or the City of Waltham. "Principals" means officers, directors, owners, partners and persons having primary interest, management or supervisory responsibilities with the business entity. Vendors shall provide immediate written notification to the Chief Procurement Officer of the City of Waltham at any time during the period of the contract of prior to the contract award if the vendor learns of any changed condition with regards to the debarment of the company or its officers. This certification is a material representation of fact upon which reliance will be placed when making the business award. If at any time it is determined that the vendor knowingly misrepresented this certification, in addition to other legal remedies available to the city of Waltham, the contract will be cancelled and the award revoked.



Company Name _____

Address _____

City _____, State _____, Zip Code _____

Phone Number (____) _____

E-Mail Address _____

Signed by Authorized Company Representative:

Print name _____,

Date _____

(Original signature is required)

(Fill out if an LLC)

CERTIFICATE OF AUTHORITY LIMITED LIABILITY COMPANY

The undersigned, being (a/the) duly elected, qualified and active (member/ manager) of _____, a Massachusetts limited Liability Company (hereinafter "the Company")

Does Hereby Certify that:

1. The Articles of Organization of the Company were duly filed with the Office of the Secretary of State of the State of Massachusetts on _____ and the Articles of Organization have not been (further) amended..

2. The Company has complied with the publication requirements contained in Section 67 of the Limited Liability Company Law.

3. There exists an Operating Agreement of the Company and that the said Operating Agreement has not been amended or repealed and that the said Operating Agreement remains in full force and effect as of this date.

4. Neither the Articles of Organization nor the Operating Agreement (as amended) require any further act to be taken or a meeting to be held by its members other that as follows:

5. All said requirements, whether as contained in the Articles of Organization or in the Operating Agreement or by operation of law as to the transaction of _____, 20____ have been met.

6. The following person or persons has/have been duly authorized by the Company to execute all documents in connection with said transaction and that the signature appearing to the right of their name(s) is his/her genuine signature.

NAME	OFFICE HELD	SIGNATURE
_____	_____	_____
_____	_____	_____
_____	_____	_____
_____	_____	_____

(Original signature is required)

IN Witness Whereof, the undersigned has executed this Certificate of Authority this

_____ day of _____, 20_____.

(Signature)

STATE OF MASSACHUSETTS, COUNTY OF _____

On the _____ day of _____, 20__ , before me, the undersigned personally appeared _____, personally known to me or proved to me on the basis of satisfactory evidence to be the individual(s) whose name(s) is (are) subscribed to the within instrument and acknowledged to me that he/she/ they executed the same in his/her/their capacity(ies), and that by his/her/their signature(s) on the instrument, the individual(s), or the person upon behalf of which the individual(s) acted, executed the instrument.

Notary Public: _____

My Commission Expires: _____

Notary Stamp:

BID PRICE FORM

Follows

(Original signature is required)

PRICE SHEET

The company listed below offers the fixed not-to-exceed price for the service described within this document for:

The procurement and Installation of Street LED Fixtures. Three (3) Year pricing. Contractor shall estimate the wage increases for year 2 and 3 and incorporate into the cost of each fixture.

- **YEAR 1** 100 Watt \$ _____ ea. 250 Watt \$ _____ ea.

- **YEAR 2** 100 Watt \$ _____ ea. 250 Watt \$ _____ ea.

- **YEAR 3** 100 Watt \$ _____ ea. 250 Watt \$ _____ ea.

Company Name: _____

Address: _____

Tel No.: _____ **Email Address:** _____

Authorized Signature: _____

Print Name and Title of Signatory: _____

Date: _____

Bidder Acknowledge Receipt of Addendum No. (s): _____, _____, _____, _____, _____, _____.

APPENDIX A

			APPENDIX A					
DPRS Summary:			CITY OF WALTHAM					
TOWN	CC	S2	Sum Of QTY	FT	FT Description	LUMENS		
WALTHAM	T	S2	179	D	LED	1,688		
WALTHAM	T	S2	58	D	LED	3,476		
WALTHAM	T	S2	64	D	LED	3,562		
WALTHAM	T	S2	30	D	LED	4,897		
WALTHAM	T	S2	11	D	LED	9,600		
WALTHAM	T	S2	12	D	LED	9,737		
			354			32,960		
WALTHAM	T	S2	1	M	MERCURY	3,500		
WALTHAM	T	S2	23	S	SODIUM	2,150		
WALTHAM	T	S2	201	S	SODIUM	4,000		
WALTHAM	M		2	S	SODIUM	9,500	DCR - Forest Grove Road	
WALTHAM	T	S2	2,315	S	SODIUM	9,500		
WALTHAM	T	S2	683	S	SODIUM	16,000		
WALTHAM	T	S2	549	S	SODIUM	25,000		
WALTHAM	I	S2	17	S	SODIUM	45,000		
			4,145					

APPENDIX A										Accts:		City of Waltham		26766201003															
DPRS Detail: CITY OF WALTHAM										City of Waltham		26766211002																	
										DCR - Forest Grove Road		26766861004																	
CODE										LOCATION			EXISTING FIXTURE TYPE					PROPOSED FIXTURE TYPE				ENERGY SAVINGS							
TD	Route	Item	F	SF	Unit	Vint	CC	SM	S2	Account	ADDRESS	CITY	Qty	FT	LT	LUMENS	FT Description	Watts	Qty	FT Description	Lumens	Watts	kW Savings	kWh Savings	Comments				
K7	0000	002			0000	2012	T		S2	26766201003	000000 WILLIAMS	WALTHAM	1	D		1,688	LED												
K7	0001	000			9130	1964	T		S2	26766201003	000000 CARTER	WALTHAM	1	S		25,000	SODIUM												
K7	0001	001			9130	1988	T		S2	26766201003	000000 CARTER	WALTHAM	1	S		25,000	SODIUM												
K7	0001	002		1	9130	1988	T		S2	26766201003	000000 ACORN	WALTHAM	1	S		4,000	SODIUM												
K7	0001	002		2	9130	1988	T		S2	26766201003	000000 CARTER	WALTHAM	1	S		25,000	SODIUM												
K7	0001	003			9130	1988	T		S2	26766201003	000000 CARTER	WALTHAM	1	S		25,000	SODIUM												
K7	0001	004		1	9130	1988	T		S2	26766201003	000000 LINDEN	WALTHAM	1	S		16,000	SODIUM												
K7	0001	004		2	9130	1988	T		S2	26766201003	000000 CARTER	WALTHAM	1	S		25,000	SODIUM												
K7	0001	005			9130	1988	T		S2	26766201003	000000 LINDEN	WALTHAM	1	S		16,000	SODIUM												
K7	0001	017			9130	1988	T		S2	26766201003	000000 LINDEN	WALTHAM	1	S		16,000	SODIUM												
K7	0002	000			9130	1988	T		S2	26766201003	000000 ADAMS	WALTHAM	1	S		16,000	SODIUM												
K7	0002	001			9130	1992	T		S2	26766201003	000000 WAVERLEY OAKS	WALTHAM	1	S		16,000	SODIUM												
K7	0002	002			9130	1988	T		S2	26766201003	000000 ADAMS	WALTHAM	1	S		16,000	SODIUM												
K7	0002	003		1	9130	1992	T		S2	26766201003	000000 WAVERLEY OAKS	WALTHAM	1	S		16,000	SODIUM												
K7	0002	003		2	9130	1988	T		S2	26766201003	000000 ADAMS	WALTHAM	1	S		16,000	SODIUM												
K7	0002	004			9130	1988	T		S2	26766201003	000000 ADAMS	WALTHAM	1	S		16,000	SODIUM												
K7	0002	005			9130	1992	T		S2	26766201003	000000 WAVERLEY OAKS	WALTHAM	1	S		16,000	SODIUM												
K7	0002	007			9130	1992	T		S2	26766201003	000000 WAVERLEY OAKS	WALTHAM	1	S		16,000	SODIUM												
K7	0002	009			9130	1988	T		S2	26766201003	000000 ADAMS	WALTHAM	1	S		16,000	SODIUM												
K7	0002	011		1	9130	1992	T		S2	26766201003	000000 WAVERLEY OAKS	WALTHAM	1	S		16,000	SODIUM												
K7	0002	011		2	9130	1988	T		S2	26766201003	000000 ADAMS	WALTHAM	1	S		16,000	SODIUM												
K7	0002	013		1	9130	1992	T		S2	26766201003	000000 WAVERLEY OAKS	WALTHAM	1	S		16,000	SODIUM												
K7	0002	013		2	9130	1988	T		S2	26766201003	000000 ADAMS	WALTHAM	1	S		16,000	SODIUM												
K7	0002	015			9130	1992	T		S2	26766201003	000000 WAVERLEY OAKS	WALTHAM	1	S		16,000	SODIUM												
K7	0002	017		1	9130	1992	T		S2	26766201003	000000 WAVERLEY OAKS	WALTHAM	1	S		16,000	SODIUM												
K7	0002	017		2	9130	1988	T		S2	26766201003	000000 ADAMS	WALTHAM	1	S		16,000	SODIUM												
K7	0002	018			9130	1988	T		S2	26766201003	000000 ADAMS	WALTHAM	1	S		16,000	SODIUM												
K7	0002	019			9130	1992	T		S2	26766201003	000000 WAVERLEY OAKS	WALTHAM	1	S		16,000	SODIUM												
K7	0002	021			9130	1992	T		S2	26766201003	000000 WAVERLEY OAKS	WALTHAM	1	S		16,000	SODIUM												
K7	0002	023			9130	1992	T		S2	26766201003	000000 WAVERLEY OAKS	WALTHAM	1	S		16,000	SODIUM												
K7	0002	025			9130	1992	T		S2	26766201003	000000 WAVERLEY OAKS	WALTHAM	1	S		16,000	SODIUM												
K7	0003	001			9130	1991	T		S2	26766201003	000000 FULLER	WALTHAM	1	S		9,500	SODIUM												
K7	0003	003			9130	1991	T		S2	26766201003	000000 FULLER	WALTHAM	1	S		9,500	SODIUM												
K7	0003	004			9130	1991	T		S2	26766201003	000000 FULLER	WALTHAM	1	S		9,500	SODIUM												
K7	0003	005			9130	1991	T		S2	26766201003	000000 FULLER	WALTHAM	1	S		9,500	SODIUM												
K7	0003	007			9130	1991	T		S2	26766201003	000000 FULLER	WALTHAM	1	S		9,500	SODIUM												
K7	0003	008			9130	1991	T		S2	26766201003	000000 FULLER	WALTHAM	1	S		9,500	SODIUM												
K7	0003	009			9130	1991	T		S2	26766201003	000000 FULLER	WALTHAM	1	S		9,500	SODIUM												
K7	0003	011			9130	1991	T		S2	26766201003	000000 FULLER	WALTHAM	1	S		9,500	SODIUM												
K7	0004	001			9130	1988	T		S2	26766201003	000000 ALDER	WALTHAM	1	S		9,500	SODIUM												
K7	0004	002			9130	1988	T		S2	26766201003	000000 ALDER	WALTHAM	1	S		9,500	SODIUM												
K7	0004	003			9130	1988	T		S2	26766201003	000000 ALDER	WALTHAM	1	S		9,500	SODIUM												
K7	0004	005			9130	1988	T		S2	26766201003	000000 ALDER	WALTHAM	1	S		9,500	SODIUM												
K7	0004	006			9130	1988	T		S2	26766201003	000000 ALDER	WALTHAM	1	S		9,500	SODIUM												
K7	0004	008			9130	1988	T		S2	26766201003	000000 ALDER	WALTHAM	1	S		9,500	SODIUM												
K7	0004	009			9130	1988	T		S2	26766201003	000000 ALDER	WALTHAM	1	S		9,500	SODIUM												
K7	0004	010			9130	1988	T		S2	26766201003	000000 ALDER	WALTHAM	1	S		9,500	SODIUM												

CODE										LOCATION			EXISTING FIXTURE TYPE					PROPOSED FIXTURE TYPE				ENERGY SAVINGS		Comments	
TD	Route	Item	F	SF	Unit	Vint	CC	SM	S2	Account	ADDRESS	CITY	Qty	FT	LT	LUMENS	FT Description	Watts	Qty	FT Description	Lumens	Watts	kW Savings		kWh Savings
K7	0004	012			9130	1988	T		S2	26766201003	000000 ALDER	WALTHAM	1	S		9,500	SODIUM								
K7	0004	015			9130	1988	T		S2	26766201003	000000 ALDER	WALTHAM	1	S		9,500	SODIUM								
K7	0004	016			9130	1988	T		S2	26766201003	000000 ALDER	WALTHAM	1	S		9,500	SODIUM								
K7	0004	017			9130	1988	T		S2	26766201003	000000 ALDER	WALTHAM	1	S		9,500	SODIUM								
K7	0005	001			9130	1991	T		S2	26766201003	000000 CHURCH	WALTHAM	1	S		9,500	SODIUM								
K7	0005	003			9130	1991	T		S2	26766201003	000000 CHURCH	WALTHAM	1	S		9,500	SODIUM								
K7	0005	005		1	9130	1991	T		S2	26766201003	000050 CHURCH	WALTHAM	1	S		9,500	SODIUM								
K7	0005	005		2	9130	1991	T		S2	26766201003	000000 SPARKILL	WALTHAM	1	S		9,500	SODIUM								
K7	0005	007			9130	1991	T		S2	26766201003	000000 CHURCH	WALTHAM	1	S		9,500	SODIUM								
K7	0005	008			9130	1991	T		S2	26766201003	000000 CHURCH	WALTHAM	1	S		9,500	SODIUM								
K7	0005	009			9130	1991	T		S2	26766201003	000000 CHURCH	WALTHAM	1	S		9,500	SODIUM								
K7	0005	010			9130	1991	T		S2	26766201003	000000 CHURCH	WALTHAM	1	S		9,500	SODIUM								
K7	0005	011			9130	1991	T		S2	26766201003	000000 CHURCH	WALTHAM	1	S		9,500	SODIUM								
K7	0005	014			9130	1991	T		S2	26766201003	000000 CHURCH	WALTHAM	1	S		9,500	SODIUM								
K7	0005	016			9130	1991	T		S2	26766201003	000000 CHURCH	WALTHAM	1	S		9,500	SODIUM								
K7	0006	001			9130	1991	T		S2	26766201003	000000 APPLETON	WALTHAM	1	S		25,000	SODIUM								
K7	0006	002			9130	1991	T		S2	26766201003	000000 APPLETON	WALTHAM	1	S		9,500	SODIUM								
K7	0006	004			9130	1991	T		S2	26766201003	000000 APPLETON	WALTHAM	1	S		9,500	SODIUM								
K7	0006	005			9130	1991	T		S2	26766201003	000000 APPLETON	WALTHAM	1	S		9,500	SODIUM								
K7	0007	002			9130	1988	T		S2	26766201003	000000 ASH	WALTHAM	1	S		9,500	SODIUM								
K7	0007	004			9130	1988	T		S2	26766201003	000000 ASH	WALTHAM	1	S		9,500	SODIUM								
K7	0007	006			9130	1988	T		S2	26766201003	000000 ASH	WALTHAM	1	S		9,500	SODIUM								
K7	0007	007			9130	1988	T		S2	26766201003	000000 ASH	WALTHAM	1	S		9,500	SODIUM								
K7	0007	009			9130	1988	T		S2	26766201003	000000 ASH	WALTHAM	1	S		9,500	SODIUM								
K7	0007	011			9130	1988	T		S2	26766201003	000000 ASH	WALTHAM	1	S		9,500	SODIUM								
K7	0007	012			9130	1988	T		S2	26766201003	000000 ASH	WALTHAM	1	S		9,500	SODIUM								
K7	0007	013			9130	1988	T		S2	26766201003	000000 ASH	WALTHAM	1	S		9,500	SODIUM								
K7	0007	014			9130	1988	T		S2	26766201003	000000 ASH	WALTHAM	1	S		9,500	SODIUM								
K7	0007	016			9130	1988	T		S2	26766201003	000000 ASH	WALTHAM	1	S		9,500	SODIUM								
K7	0007	018			9130	1988	T		S2	26766201003	000000 ASH	WALTHAM	1	S		9,500	SODIUM								
K7	0007	021			9130	1988	T		S2	26766201003	000000 ASH	WALTHAM	1	S		9,500	SODIUM								
K7	0007	023			9130	1988	T		S2	26766201003	000000 ASH	WALTHAM	1	S		9,500	SODIUM								
K7	0007	024			9130	1988	T		S2	26766201003	000000 ASH	WALTHAM	1	S		9,500	SODIUM								
K7	0007	026			9130	1988	T		S2	26766201003	000000 ASH	WALTHAM	1	S		9,500	SODIUM								
K7	0007	027			9130	1988	T		S2	26766201003	000000 ASH	WALTHAM	1	S		9,500	SODIUM								
K7	0007	029			9130	1988	T		S2	26766201003	000000 ASH	WALTHAM	1	S		9,500	SODIUM								
K7	0007	033			9130	1988	T		S2	26766201003	000000 ASH	WALTHAM	1	S		9,500	SODIUM								
K7	0007	034			9130	1988	T		S2	26766201003	000000 ASH	WALTHAM	1	S		9,500	SODIUM								
K7	0007	035			9130	1988	T		S2	26766201003	000000 ASH	WALTHAM	1	S		9,500	SODIUM								
K7	0007	036			9130	1988	T		S2	26766201003	000000 ASH	WALTHAM	1	S		9,500	SODIUM								
K7	0008	003			9130	1991	T		S2	26766201003	000000 AUBURN	WALTHAM	1	S		9,500	SODIUM								
K7	0008	004			9130	1991	T		S2	26766201003	000000 AUBURN	WALTHAM	1	S		9,500	SODIUM								
K7	0008	005			9130	1991	T		S2	26766201003	000000 AUBURN	WALTHAM	1	S		9,500	SODIUM								
K7	0008	006			9130	1991	T		S2	26766201003	000000 AUBURN	WALTHAM	1	S		9,500	SODIUM								
K7	0008	009			9130	1991	T		S2	26766201003	000000 GRANT	WALTHAM	1	S		9,500	SODIUM								
K7	0009	001			9130	1992	T		S2	26766201003	000000 SUNNYSIDE	WALTHAM	1	S		9,500	SODIUM								
K7	0009	002			9130	1991	T		S2	26766201003	000000 BACON	WALTHAM	1	S		16,000	SODIUM								
K7	0009	003		1	9130	1997	T		S2	26766201003	000000 SUNNYSIDE	WALTHAM	1	S		9,500	SODIUM								
K7	0009	003		2	9130	1991	T		S2	26766201003	000000 BACON	WALTHAM	1	S		16,000	SODIUM								
K7	0009	004		1	9130	1992	T		S2	26766201003	000000 SUNNYSIDE	WALTHAM	1	S		9,500	SODIUM								

CODE										LOCATION			EXISTING FIXTURE TYPE					PROPOSED FIXTURE TYPE				ENERGY SAVINGS		Comments
TD	Route	Item	F	SF	Unit	Vint	CC	SM	S2	Account	ADDRESS	CITY	Qty	FT	LT	LUMENS	FT Description	Watts	Qty	FT Description	Lumens	Watts	kW Savings	
K7	0009	004		2	9130	1991	T		S2	26766201003	000000 BACON	WALTHAM	1	S		16,000	SODIUM							
K7	0009	005			0000	2012	T		S2	26766201003	000000 BACON	WALTHAM	1	D		4,897	LED							
K7	0009	007			9130	1991	T		S2	26766201003	000000 BACON	WALTHAM	1	S		16,000	SODIUM							
K7	0009	009			9130	1991	T		S2	26766201003	000000 BACON	WALTHAM	1	S		16,000	SODIUM							
K7	0009	011			9130	1991	T		S2	26766201003	000000 BACON	WALTHAM	1	S		16,000	SODIUM							
K7	0009	013			9130	1991	T		S2	26766201003	000000 BACON	WALTHAM	1	S		16,000	SODIUM							
K7	0009	027			9130	1991	T		S2	26766201003	000000 BACON	WALTHAM	1	S		16,000	SODIUM							
K7	0009	030			9130	1991	T		S2	26766201003	000000 BACON	WALTHAM	1	S		16,000	SODIUM							
K7	0009	032			9130	1991	T		S2	26766201003	000000 BACON	WALTHAM	1	S		16,000	SODIUM							
K7	0010	002			9130	1991	T		S2	26766201003	000000 BACON	WALTHAM	1	S		16,000	SODIUM							
K7	0010	003			9130	1991	T		S2	26766201003	000000 BACON	WALTHAM	1	S		16,000	SODIUM							
K7	0010	004			9130	1991	T		S2	26766201003	000000 BACON	WALTHAM	1	S		16,000	SODIUM							
K7	0010	007			9130	1991	T		S2	26766201003	000000 BACON	WALTHAM	1	S		16,000	SODIUM							
K7	0010	008			9130	1991	T		S2	26766201003	000000 BACON	WALTHAM	1	S		16,000	SODIUM							
K7	0010	009			9130	1991	T		S2	26766201003	000000 BACON	WALTHAM	1	S		16,000	SODIUM							
K7	0010	011			9130	1991	T		S2	26766201003	000000 BACON	WALTHAM	1	S		16,000	SODIUM							
K7	0010	013			9130	1991	T		S2	26766201003	000000 BACON	WALTHAM	1	S		16,000	SODIUM							
K7	0010	014			9130	1991	T		S2	26766201003	000000 BACON	WALTHAM	1	S		16,000	SODIUM							
K7	0010	015		1	9130	1992	T		S2	26766201003	000000 RIVER	WALTHAM	1	S		16,000	SODIUM							
K7	0010	015		2	9130	1991	T		S2	26766201003	000000 BACON	WALTHAM	1	S		16,000	SODIUM							
K7	0010	016			9130	1991	T		S2	26766201003	000000 BACON	WALTHAM	1	S		16,000	SODIUM							
K7	0010	017			9130	1991	T		S2	26766201003	000000 BACON	WALTHAM	1	S		16,000	SODIUM							
K7	0010	018			9130	1991	T		S2	26766201003	000000 BACON	WALTHAM	1	S		16,000	SODIUM							
K7	0010	020			9130	1991	T		S2	26766201003	000000 BACON	WALTHAM	1	S		16,000	SODIUM							
K7	0010	022			9130	1991	T		S2	26766201003	000000 BACON	WALTHAM	1	S		16,000	SODIUM							
K7	0010	023			9130	1991	T		S2	26766201003	000000 BACON	WALTHAM	1	S		16,000	SODIUM							
K7	0010	024			9130	1991	T		S2	26766201003	000000 BACON	WALTHAM	1	S		16,000	SODIUM							
K7	0010	025			9130	1991	T		S2	26766201003	000000 BACON	WALTHAM	1	S		16,000	SODIUM							
K7	0010	026			9130	1991	T		S2	26766201003	000000 BACON	WALTHAM	1	S		16,000	SODIUM							
K7	0010	027			9130	1991	T		S2	26766201003	000000 BACON	WALTHAM	1	S		16,000	SODIUM							
K7	0010	028			9130	1991	T		S2	26766201003	000000 BACON	WALTHAM	1	S		16,000	SODIUM							
K7	0010	029			9130	1991	T		S2	26766201003	000000 BACON	WALTHAM	1	S		16,000	SODIUM							
K7	0010	030			9130	1991	T		S2	26766201003	000000 BACON	WALTHAM	1	S		16,000	SODIUM							
K7	0010	031			0000	2012	T		S2	26766201003	000000 BACON	WALTHAM	1	D		4,897	LED							
K7	0010	032			9130	1991	T		S2	26766201003	000000 BACON	WALTHAM	1	S		16,000	SODIUM							
K7	0010	034			9130	1991	T		S2	26766201003	000000 BACON	WALTHAM	1	S		16,000	SODIUM							
K7	0010	035		1	9130	1991	T		S2	26766201003	000000 BACON	WALTHAM	1	S		16,000	SODIUM							
K7	0010	035		2	9130	1991	T		S2	26766201003	000000 BACON	WALTHAM	1	S		16,000	SODIUM							
K7	0010	036			9130	1991	T		S2	26766201003	000000 BACON	WALTHAM	1	S		16,000	SODIUM							
K7	0010	037			9130	1991	T		S2	26766201003	000000 BACON	WALTHAM	1	S		16,000	SODIUM							
K7	0010	038			9130	1991	T		S2	26766201003	000000 BACON	WALTHAM	1	S		16,000	SODIUM							
K7	0010	039		1	9130	1992	T		S2	26766201003	000000 RIVER	WALTHAM	1	S		16,000	SODIUM							
K7	0010	039		2	9130	1991	T		S2	26766201003	000000 BACON	WALTHAM	1	S		16,000	SODIUM							
K7	0010	041		1	9130	1992	T		S2	26766201003	000000 RIVER	WALTHAM	1	S		16,000	SODIUM							
K7	0010	041		2	9130	1991	T		S2	26766201003	000000 BACON	WALTHAM	1	S		16,000	SODIUM							
K7	0010	042		1	9130	1992	T		S2	26766201003	000000 RIVER	WALTHAM	1	S		16,000	SODIUM							
K7	0010	042		2	9130	1991	T		S2	26766201003	000000 BACON	WALTHAM	1	S		16,000	SODIUM							
K7	0010	043			9130	1992	T		S2	26766201003	000000 RIVER	WALTHAM	1	S		16,000	SODIUM							
K7	0010	044			9130	1991	T		S2	26766201003	000000 BACON	WALTHAM	1	S		16,000	SODIUM							
K7	0010	045			9130	1992	T		S2	26766201003	000000 RIVER	WALTHAM	1	S		16,000	SODIUM							

CODE										LOCATION			EXISTING FIXTURE TYPE					PROPOSED FIXTURE TYPE				ENERGY SAVINGS		Comments	
TD	Route	Item	F	SF	Unit	Vint	CC	SM	S2	Account	ADDRESS	CITY	Qty	FT	LT	LUMENS	FT Description	Watts	Qty	FT Description	Lumens	Watts	kW Savings		kWh Savings
K7	0010	047			9130	1992	T		S2	26766201003	000000 RIVER	WALTHAM	1	S		16,000	SODIUM								
K7	0011	001			9130	1991	T		S2	26766201003	000000 BANKS	WALTHAM	1	S		9,500	SODIUM								
K7	0011	003			9130	1991	T		S2	26766201003	000000 BANKS	WALTHAM	1	S		9,500	SODIUM								
K7	0011	004			9130	1991	T		S2	26766201003	000000 BANKS	WALTHAM	1	S		9,500	SODIUM								
K7	0012	002			9130	1991	T		S2	26766201003	000000 LIBERTY	WALTHAM	1	S		9,500	SODIUM								
K7	0012	003			9130	1991	T		S2	26766201003	000000 LIBERTY	WALTHAM	1	S		9,500	SODIUM								
K7	0013	001			9130	1988	T		S2	26766201003	000000 BARNES	WALTHAM	1	S		4,000	SODIUM								
K7	0013	002			9130	1988	T		S2	26766201003	000000 BARNES	WALTHAM	1	S		4,000	SODIUM								
K7	0014	002			9130	1988	T		S2	26766201003	000000 BARTON	WALTHAM	1	S		4,000	SODIUM								
K7	0014	003			9130	1988	T		S2	26766201003	000000 BARTON	WALTHAM	1	S		4,000	SODIUM								
K7	0014	005			9130	1988	T		S2	26766201003	000000 BARTON	WALTHAM	1	S		4,000	SODIUM								
K7	0015	001			9130	1991	T		S2	26766201003	000000 HAWTHORNE	WALTHAM	1	S		9,500	SODIUM								
K7	0015	003			9130	1991	T		S2	26766201003	000000 HAWTHORNE	WALTHAM	1	S		9,500	SODIUM								
K7	0015	005			9130	1991	T		S2	26766201003	000000 HAWTHORNE	WALTHAM	1	S		9,500	SODIUM								
K7	0015	007			9130	1991	T		S2	26766201003	000000 HAWTHORNE	WALTHAM	1	S		9,500	SODIUM								
K7	0015	009			9130	1991	T		S2	26766201003	000000 HAWTHORNE	WALTHAM	1	S		9,500	SODIUM								
K7	0015	010			9130	1991	T		S2	26766201003	000000 HAWTHORNE	WALTHAM	1	S		9,500	SODIUM								
K7	0015	012			9130	1991	T		S2	26766201003	000000 HAWTHORNE	WALTHAM	1	S		9,500	SODIUM								
K7	0015	013			9130	1991	T		S2	26766201003	000000 HAWTHORNE	WALTHAM	1	S		9,500	SODIUM								
K7	0015	014			9130	1991	T		S2	26766201003	000000 HAWTHORNE	WALTHAM	1	S		9,500	SODIUM								
K7	0015	017			9130	1991	T		S2	26766201003	000000 HAWTHORNE	WALTHAM	1	S		9,500	SODIUM								
K7	0015	018			9130	1991	T		S2	26766201003	000000 HAWTHORNE	WALTHAM	1	S		9,500	SODIUM								
K7	0015	019			9130	1987	T		S2	26766201003	000000 HAMMOND	WALTHAM	1	S		9,500	SODIUM								
K7	0015	020			9130	1987	T		S2	26766201003	000000 HAMMOND	WALTHAM	1	S		9,500	SODIUM								
K7	0015	021			9130	1987	T		S2	26766201003	000000 HAMMOND	WALTHAM	1	S		9,500	SODIUM								
K7	0015	022			9130	1987	T		S2	26766201003	000000 HAMMOND	WALTHAM	1	S		9,500	SODIUM								
K7	0015	024			9130	1987	T		S2	26766201003	000000 HAMMOND	WALTHAM	1	S		9,500	SODIUM								
K7	0015	025			9130	1987	T		S2	26766201003	000000 HAMMOND	WALTHAM	1	S		9,500	SODIUM								
K7	0016	001		1	9130	1987	T		S2	26766201003	000000 BEAVER	WALTHAM	1	S		16,000	SODIUM								
K7	0016	001		2	9130	1986	T		S2	26766201003	000000 BEAVER	WALTHAM	1	S		16,000	SODIUM								
K7	0016	002			9130	1987	T		S2	26766201003	000000 BEAVER	WALTHAM	1	S		16,000	SODIUM								
K7	0016	004			9130	1987	T		S2	26766201003	000000 BEAVER	WALTHAM	1	S		16,000	SODIUM								
K7	0016	006			9130	1987	T		S2	26766201003	000000 BEAVER	WALTHAM	1	S		16,000	SODIUM								
K7	0016	007		1	9130	1996	T		S2	26766201003	000000 BEAVER	WALTHAM	1	S		45,000	SODIUM								
K7	0016	007		2	9130	1996	T		S2	26766201003	000000 BEAVER	WALTHAM	1	S		45,000	SODIUM								
K7	0016	008			9130	1987	T		S2	26766201003	000000 BEAVER	WALTHAM	1	S		16,000	SODIUM								
K7	0016	009			9130	1988	T		S2	26766201003	000000 BEAVER	WALTHAM	1	S		16,000	SODIUM								
K7	0016	010			9130	1987	T		S2	26766201003	000000 BEAVER	WALTHAM	1	S		16,000	SODIUM								
K7	0016	011			9130	1987	T		S2	26766201003	000000 BEAVER	WALTHAM	1	S		16,000	SODIUM								
K7	0016	012			9130	1987	T		S2	26766201003	000000 BEAVER	WALTHAM	1	S		16,000	SODIUM								
K7	0016	014			9130	1987	T		S2	26766201003	000000 BEAVER	WALTHAM	1	S		16,000	SODIUM								
K7	0016	016			9130	1987	T		S2	26766201003	000000 BEAVER	WALTHAM	1	S		16,000	SODIUM								
K7	0016	020		1	9130	1987	T		S2	26766201003	000000 BEAVER	WALTHAM	1	S		16,000	SODIUM								
K7	0016	020		2	9130	1987	T		S2	26766201003	000000 BEAVER	WALTHAM	1	S		16,000	SODIUM								
K7	0016	021		1	9130	1987	T		S2	26766201003	000000 BEAVER	WALTHAM	1	S		16,000	SODIUM								
K7	0016	021		2	9130	1987	T		S2	26766201003	000000 BEAVER	WALTHAM	1	S		16,000	SODIUM								
K7	0016	024			9130	1987	T		S2	26766201003	000000 BEAVER	WALTHAM	1	S		16,000	SODIUM								
K7	0016	026		1	0000	2015	T		S2	26766201003	000000 BEAVER	WALTHAM	1	D		3,476	LED								
K7	0016	026		10	9130	1996	T		S2	26766201003	000000 BEAVER	WALTHAM	1	S		9,500	SODIUM								
K7	0016	026		11	9130	1987	T		S2	26766201003	000000 BEAVER	WALTHAM	1	S		16,000	SODIUM								

CODE										LOCATION			EXISTING FIXTURE TYPE					PROPOSED FIXTURE TYPE				ENERGY SAVINGS		Comments	
TD	Route	Item	F	SF	Unit	Vint	CC	SM	S2	Account	ADDRESS	CITY	Qty	FT	LT	LUMENS	FT Description	Watts	Qty	FT Description	Lumens	Watts	kW Savings		kWh Savings
K7	0016	026		12	9130	1993	T		S2	26766201003	000000 BEAVER	WALTHAM	1	S		16,000	SODIUM								
K7	0016	026		2	0000	2015	T		S2	26766201003	000000 BEAVER	WALTHAM	1	D		3,476	LED								
K7	0016	026		3	0000	2015	T		S2	26766201003	000000 BEAVER	WALTHAM	1	D		3,476	LED								
K7	0016	026		4	0000	2015	T		S2	26766201003	000000 BEAVER	WALTHAM	1	D		3,476	LED								
K7	0016	026		5	0000	2015	T		S2	26766201003	000000 BEAVER	WALTHAM	1	D		3,476	LED								
K7	0016	026		6	0000	2015	T		S2	26766201003	000000 BEAVER	WALTHAM	1	D		3,476	LED								
K7	0016	026		7	0000	2015	T		S2	26766201003	000000 BEAVER	WALTHAM	1	D		3,476	LED								
K7	0016	026		8	0000	2015	T		S2	26766201003	000000 BEAVER	WALTHAM	1	D		3,476	LED								
K7	0016	026		9	0000	2015	T		S2	26766201003	000000 BEAVER	WALTHAM	1	D		3,476	LED								
K7	0016	028			9130	1987	T		S2	26766201003	000000 BEAVER	WALTHAM	1	S		16,000	SODIUM								
K7	0016	030			9130	1987	T		S2	26766201003	000000 BEAVER	WALTHAM	1	S		16,000	SODIUM								
K7	0016	031			9130	1987	T		S2	26766201003	000000 BEAVER	WALTHAM	1	S		16,000	SODIUM								
K7	0016	032			9130	1987	T		S2	26766201003	000000 BEAVER	WALTHAM	1	S		16,000	SODIUM								
K7	0016	034		1	9130	1987	T		S2	26766201003	000000 BEAVER	WALTHAM	1	S		16,000	SODIUM								
K7	0016	034		2	9130	1987	T		S2	26766201003	000000 BEAVER	WALTHAM	1	S		16,000	SODIUM								
K7	0016	036			9130	1987	T		S2	26766201003	000000 BEAVER	WALTHAM	1	S		16,000	SODIUM								
K7	0016	037			9130	1987	T		S2	26766201003	000000 BEAVER	WALTHAM	1	S		16,000	SODIUM								
K7	0016	039			9130	1987	T		S2	26766201003	000000 BEAVER	WALTHAM	1	S		16,000	SODIUM								
K7	0016	041			9130	1987	T		S2	26766201003	000000 BEAVER	WALTHAM	1	S		16,000	SODIUM								
K7	0016	043			9130	1987	T		S2	26766201003	000000 BEAVER	WALTHAM	1	S		16,000	SODIUM								
K7	0016	045			9130	1987	T		S2	26766201003	000000 BEAVER	WALTHAM	1	S		16,000	SODIUM								
K7	0016	046			9130	1987	T		S2	26766201003	000000 BEAVER	WALTHAM	1	S		16,000	SODIUM								
K7	0016	047			9130	1987	T		S2	26766201003	000000 BEAVER	WALTHAM	1	S		16,000	SODIUM								
K7	0016	049			9130	1987	T		S2	26766201003	000000 BEAVER	WALTHAM	1	S		16,000	SODIUM								
K7	0016	051			9130	1987	T		S2	26766201003	000000 BEAVER	WALTHAM	1	S		16,000	SODIUM								
K7	0016	053			9130	1987	T		S2	26766201003	000000 BEAVER	WALTHAM	1	S		16,000	SODIUM								
K7	0016	055			9130	1987	T		S2	26766201003	000000 BEAVER	WALTHAM	1	S		16,000	SODIUM								
K7	0016	057			9130	1987	T		S2	26766201003	000000 BEAVER	WALTHAM	1	S		16,000	SODIUM								
K7	0016	059			9130	1987	T		S2	26766201003	000000 BEAVER	WALTHAM	1	S		16,000	SODIUM								
K7	0016	061			9130	1987	T		S2	26766201003	000000 BEAVER	WALTHAM	1	S		16,000	SODIUM								
K7	0016	063			9130	1987	T		S2	26766201003	000000 BEAVER	WALTHAM	1	S		16,000	SODIUM								
K7	0016	064			9130	1987	T		S2	26766201003	000000 BEAVER	WALTHAM	1	S		16,000	SODIUM								
K7	0016	078			9130	1987	T		S2	26766201003	000000 BEAVER	WALTHAM	1	S		16,000	SODIUM								
K7	0016	080			0000	2015	T		S2	26766201003	000000 BEAVER	WALTHAM	1	D		3,476	LED								
K7	0016	083			0000	2015	T		S2	26766201003	000000 BEAVER	WALTHAM	1	D		3,476	LED								
K7	0016	085			0000	2015	T		S2	26766201003	000000 BEAVER	WALTHAM	1	D		3,476	LED								
K7	0016	087			0000	2015	T		S2	26766201003	000000 BEAVER	WALTHAM	1	D		3,476	LED								
K7	0016	090			0000	2015	T		S2	26766201003	000000 BEAVER	WALTHAM	1	D		3,476	LED								
K7	0016	092			0000	2015	T		S2	26766201003	000000 BEAVER	WALTHAM	1	D		3,476	LED								
K7	0017	002			9130	1991	T		S2	26766201003	000000 BEDFORD	WALTHAM	1	S		9,500	SODIUM								
K7	0017	003			9130	1991	T		S2	26766201003	000000 BEDFORD	WALTHAM	1	S		9,500	SODIUM								
K7	0017	005			9130	1991	T		S2	26766201003	000026 BEDFORD	WALTHAM	1	S		9,500	SODIUM								
K7	0017	007			9130	1991	T		S2	26766201003	000000 BEDFORD	WALTHAM	1	S		9,500	SODIUM								
K7	0017	008			9130	1991	T		S2	26766201003	000000 BEDFORD	WALTHAM	1	S		9,500	SODIUM								
K7	0017	010			9130	1991	T		S2	26766201003	000000 BEDFORD	WALTHAM	1	S		9,500	SODIUM								
K7	0017	011			9130	1991	T		S2	26766201003	000000 BEDFORD	WALTHAM	1	S		9,500	SODIUM								
K7	0017	013			9130	1991	T		S2	26766201003	000000 BEDFORD	WALTHAM	1	S		9,500	SODIUM								
K7	0017	015			9130	1991	T		S2	26766201003	000000 BEDFORD	WALTHAM	1	S		9,500	SODIUM								
K7	0018	001			9130	1988	T		S2	26766201003	000000 BEECH SCHOOL	WALTHAM	1	S		16,000	SODIUM								
K7	0018	002			9130	1988	T		S2	26766201003	000000 BEECH SCHOOL	WALTHAM	1	S		16,000	SODIUM								

CODE										LOCATION			EXISTING FIXTURE TYPE					PROPOSED FIXTURE TYPE				ENERGY SAVINGS		Comments	
TD	Route	Item	F	SF	Unit	Vint	CC	SM	S2	Account	ADDRESS	CITY	Qty	FT	LT	LUMENS	FT Description	Watts	Qty	FT Description	Lumens	Watts	kW Savings		kWh Savings
K7	0018	003			9130	1988	T		S2	26766201003	000000 BEECH SCHOOL	WALTHAM	1	S		16,000	SODIUM								
K7	0018	004			9130	1988	T		S2	26766201003	000000 BEECH	WALTHAM	1	S		16,000	SODIUM								
K7	0019	000			9130	1991	T		S2	26766201003	000000 YETTEN	WALTHAM	1	S		9,500	SODIUM								
K7	0019	002		1	9130	1991	T		S2	26766201003	000000 KENWOOD	WALTHAM	1	S		9,500	SODIUM								
K7	0019	002		2	9130	1991	T		S2	26766201003	000000 YETTEN	WALTHAM	1	S		9,500	SODIUM								
K7	0019	003			9130	1991	T		S2	26766201003	000000 YETTEN	WALTHAM	1	S		9,500	SODIUM								
K7	0020	003			9130	1989	T		S2	26766201003	000000 FLOOD	WALTHAM	1	S		9,500	SODIUM								
K7	0020	004			0000	2012	T		S2	26766201003	000000 POND END	WALTHAM	1	D		1,688	LED								
K7	0021	001			9130	1991	T		S2	26766201003	000000 BEMIS	WALTHAM	1	S		9,500	SODIUM								
K7	0021	011			9130	1988	T		S2	26766201003	000000 WESTON	WALTHAM	1	S		25,000	SODIUM								
K7	0021	035			9130	1988	T		S2	26766201003	000000 WESTON	WALTHAM	1	S		25,000	SODIUM								
K7	0021	037			9130	1988	T		S2	26766201003	000000 WESTON	WALTHAM	1	S		25,000	SODIUM								
K7	0021	038			9130	1988	T		S2	26766201003	000000 WESTON	WALTHAM	1	S		25,000	SODIUM								
K7	0021	039			9130	1988	T		S2	26766201003	000000 WESTON	WALTHAM	1	S		25,000	SODIUM								
K7	0021	040			9130	1988	T		S2	26766201003	000000 WESTON	WALTHAM	1	S		25,000	SODIUM								
K7	0021	041			9130	1988	T		S2	26766201003	000000 WESTON	WALTHAM	1	S		25,000	SODIUM								
K7	0022	002			9130	1988	T		S2	26766201003	000000 BENEFIT	WALTHAM	1	S		4,000	SODIUM								
K7	0022	004			9130	1988	T		S2	26766201003	000000 BENEFIT	WALTHAM	1	S		4,000	SODIUM								
K7	0023	001			9130	1988	T		S2	26766201003	000000 BOLTON	WALTHAM	1	S		4,000	SODIUM								
K7	0023	002			9130	1988	T		S2	26766201003	000000 BOLTON	WALTHAM	1	S		4,000	SODIUM								
K7	0023	003			9130	1988	T		S2	26766201003	000000 BOLTON	WALTHAM	1	S		4,000	SODIUM								
K7	0023	004			0000	2014	T		S2	26766201003	000000 SOUTH	WALTHAM	1	D		3,476	LED								
K7	0023	005			9130	1988	T		S2	26766201003	000000 BOLTON	WALTHAM	1	S		4,000	SODIUM								
K7	0023	053			9130	1992	T		S2	26766201003	000000 SOUTH	WALTHAM	1	S		16,000	SODIUM								
K7	0023	066			9130	1987	T		S2	26766201003	000000 SOUTH	WALTHAM	1	S		16,000	SODIUM								
K7	0023	067			9130	1987	T		S2	26766201003	000000 SOUTH	WALTHAM	1	S		16,000	SODIUM								
K7	0023	084			9130	1987	T		S2	26766201003	000000 SOUTH	WALTHAM	1	S		16,000	SODIUM								
K7	0023	086			9130	1987	T		S2	26766201003	000000 SOUTH	WALTHAM	1	S		16,000	SODIUM								
K7	0023	088			9130	1987	T		S2	26766201003	000000 SOUTH	WALTHAM	1	S		16,000	SODIUM								
K7	0023	090			9130	1987	T		S2	26766201003	000000 SOUTH	WALTHAM	1	S		16,000	SODIUM								
K7	0026	001			9130	1991	T		S2	26766201003	000000 HIGHLAND	WALTHAM	1	S		9,500	SODIUM								
K7	0026	002		1	9130	1990	T		S2	26766201003	000000 MORRIS	WALTHAM	1	S		4,000	SODIUM								
K7	0026	002		2	9130	1991	T		S2	26766201003	000000 HIGHLAND	WALTHAM	1	S		9,500	SODIUM								
K7	0026	002		3	9130	1989	T		S2	26766201003	000000 BOYNTON	WALTHAM	1	S		9,500	SODIUM								
K7	0026	004		1	9130	1991	T		S2	26766201003	000000 HIGHLAND	WALTHAM	1	S		9,500	SODIUM								
K7	0026	004		2	9130	1989	T		S2	26766201003	000000 BOYNTON	WALTHAM	1	S		9,500	SODIUM								
K7	0026	005			9130	1991	T		S2	26766201003	000000 HIGHLAND	WALTHAM	1	S		9,500	SODIUM								
K7	0026	006		1	9130	1991	T		S2	26766201003	000000 HIGHLAND	WALTHAM	1	S		9,500	SODIUM								
K7	0026	006		2	9130	1989	T		S2	26766201003	000000 BOYNTON	WALTHAM	1	S		9,500	SODIUM								
K7	0026	007			9130	1991	T		S2	26766201003	000000 HIGHLAND	WALTHAM	1	S		9,500	SODIUM								
K7	0026	008		1	9130	1991	T		S2	26766201003	000000 HIGHLAND	WALTHAM	1	S		9,500	SODIUM								
K7	0026	008		2	9130	1989	T		S2	26766201003	000000 BOYNTON	WALTHAM	1	S		9,500	SODIUM								
K7	0026	009		1	9130	1991	T		S2	26766201003	000000 HIGHLAND	WALTHAM	1	S		9,500	SODIUM								
K7	0026	009		2	9130	1989	T		S2	26766201003	000000 BOYNTON	WALTHAM	1	S		9,500	SODIUM								
K7	0026	010			9130	1989	T		S2	26766201003	000000 BOYNTON	WALTHAM	1	S		9,500	SODIUM								
K7	0026	011			9130	1989	T		S2	26766201003	000000 BOYNTON	WALTHAM	1	S		9,500	SODIUM								
K7	0026	012			9130	1989	T		S2	26766201003	000000 BOYNTON	WALTHAM	1	S		9,500	SODIUM								
K7	0027	001			9130	1990	T		S2	26766201003	000000 BRIGHT	WALTHAM	1	S		9,500	SODIUM								
K7	0027	003			9130	1990	T		S2	26766201003	000000 BRIGHT	WALTHAM	1	S		9,500	SODIUM								
K7	0027	005		1	9130	1992	T		S2	26766201003	000000 FELTON	WALTHAM	1	S		16,000	SODIUM								

CODE										LOCATION			EXISTING FIXTURE TYPE					PROPOSED FIXTURE TYPE				ENERGY SAVINGS		Comments	
TD	Route	Item	F	SF	Unit	Vint	CC	SM	S2	Account	ADDRESS	CITY	Qty	FT	LT	LUMENS	FT Description	Watts	Qty	FT Description	Lumens	Watts	kW Savings		kWh Savings
K7	0027	005		2	9130	1990	T		S2	26766201003	000000 BRIGHT	WALTHAM	1	S		9,500	SODIUM								
K7	0027	007			9130	1990	T		S2	26766201003	000000 BRIGHT	WALTHAM	1	S		9,500	SODIUM								
K7	0027	011			9130	1990	T		S2	26766201003	000000 BRIGHT	WALTHAM	1	S		9,500	SODIUM								
K7	0027	013			9130	1990	T		S2	26766201003	000000 BRIGHT	WALTHAM	1	S		9,500	SODIUM								
K7	0027	015			9130	1990	T		S2	26766201003	000000 BRIGHT	WALTHAM	1	S		9,500	SODIUM								
K7	0027	017			9130	1990	T		S2	26766201003	000000 BRIGHT	WALTHAM	1	S		9,500	SODIUM								
K7	0027	018			9130	1990	T		S2	26766201003	000000 BRIGHT	WALTHAM	1	S		9,500	SODIUM								
K7	0027	019		1	9130	1992	T		S2	26766201003	000000 FELTON	WALTHAM	1	S		16,000	SODIUM								
K7	0027	019		2	9130	1990	T		S2	26766201003	000000 BRIGHT	WALTHAM	1	S		9,500	SODIUM								
K7	0027	020			9130	1992	T		S2	26766201003	000204 FELTON	WALTHAM	1	S		16,000	SODIUM								
K7	0027	021			9130	1992	T		S2	26766201003	000216 FELTON	WALTHAM	1	S		16,000	SODIUM								
K7	0027	022			9130	1992	T		S2	26766201003	000000 FELTON	WALTHAM	1	S		16,000	SODIUM								
K7	0027	023			9130	1992	T		S2	26766201003	000000 FELTON	WALTHAM	1	S		16,000	SODIUM								
K7	0028	000			9130	1988	T		S2	26766201003	000000 CHARLES	WALTHAM	1	S		16,000	SODIUM								
K7	0028	001			9130	1988	T		S2	26766201003	000000 CHARLES	WALTHAM	1	S		16,000	SODIUM								
K7	0029	002			9130	1988	T		S2	26766201003	000000 BROOKS	WALTHAM	1	S		4,000	SODIUM								
K7	0029	012			0000	2012	T		S2	26766201003	000000 PROSPECT	WALTHAM	1	D		9,737	LED								
K7	0029	021			0000	2012	T		S2	26766201003	000000 PROSPECT	WALTHAM	1	D		9,737	LED								
K7	0029	023			0000	2012	T		S2	26766201003	000000 PROSPECT	WALTHAM	1	D		9,737	LED								
K7	0029	028			0000	2012	T		S2	26766201003	000000 PROSPECT	WALTHAM	1	D		9,737	LED								
K7	0030	007			0000	2012	T		S2	26766201003	000000 SPENCER	WALTHAM	1	D		1,688	LED								
K7	0030	011			9130	1991	T		S2	26766201003	000000 CENTRAL	WALTHAM	1	S		9,500	SODIUM								
K7	0031	001			0000	2012	T		S2	26766201003	000000 BROWN	WALTHAM	1	D		4,897	LED								
K7	0031	003			0000	2012	T		S2	26766201003	000000 BROWN	WALTHAM	1	D		1,688	LED								
K7	0031	005			0000	2012	T		S2	26766201003	000000 BROWN	WALTHAM	1	D		1,688	LED								
K7	0031	006			0000	2012	T		S2	26766201003	000000 BROWN	WALTHAM	1	D		1,688	LED								
K7	0031	008			0000	2012	T		S2	26766201003	000000 BROWN	WALTHAM	1	D		1,688	LED								
K7	0031	010			9130	1986	T		S2	26766201003	000000 BROWN	WALTHAM	1	S		4,000	SODIUM								
K7	0031	012		1	9130	1986	T		S2	26766201003	000000 BROWN	WALTHAM	1	S		4,000	SODIUM								
K7	0031	012		2	9130	1992	T		S2	26766201003	000062 ELM	WALTHAM	1	S		25,000	SODIUM								
K7	0031	012		3	9130	1988	T		S2	26766201003	000101 ELM	WALTHAM	1	S		16,000	SODIUM								
K7	0031	013			9130	1988	T		S2	26766201003	000101 ELM	WALTHAM	1	S		16,000	SODIUM								
K7	0031	014			9130	1986	T		S2	26766201003	000000 BROWN	WALTHAM	1	S		4,000	SODIUM								
K7	0031	015			9130	1988	T		S2	26766201003	000101 ELM	WALTHAM	1	S		16,000	SODIUM								
K7	0031	016			9130	1986	T		S2	26766201003	000000 BROWN	WALTHAM	1	S		4,000	SODIUM								
K7	0031	017			9130	1988	T		S2	26766201003	000000 ELM	WALTHAM	1	S		16,000	SODIUM								
K7	0031	018		1	9130	1986	T		S2	26766201003	000000 BROWN	WALTHAM	1	S		4,000	SODIUM								
K7	0031	018		2	9130	1988	T		S2	26766201003	000000 ELM	WALTHAM	1	S		16,000	SODIUM								
K7	0031	019			9130	1986	T		S2	26766201003	000000 BROWN	WALTHAM	1	S		4,000	SODIUM								
K7	0031	020			9130	1988	T		S2	26766201003	000000 ELM	WALTHAM	1	S		16,000	SODIUM								
K7	0031	021		1	9130	1986	T		S2	26766201003	000000 BROWN	WALTHAM	1	S		4,000	SODIUM								
K7	0031	021		2	9130	1988	T		S2	26766201003	000000 ELM	WALTHAM	1	S		16,000	SODIUM								
K7	0031	022			9130	1988	T		S2	26766201003	000000 ELM	WALTHAM	1	S		16,000	SODIUM								
K7	0031	023		1	9130	1986	T		S2	26766201003	000000 BROWN	WALTHAM	1	S		4,000	SODIUM								
K7	0031	023		2	9130	1988	T		S2	26766201003	000000 ELM	WALTHAM	1	S		16,000	SODIUM								
K7	0031	026			9130	1986	T		S2	26766201003	000000 BROWN	WALTHAM	1	S		4,000	SODIUM								
K7	0031	028			9130	1986	T		S2	26766201003	000000 BROWN	WALTHAM	1	S		4,000	SODIUM								
K7	0032	002			9130	1994	T		S2	26766201003	000000 BROWNS	WALTHAM	1	S		9,500	SODIUM								
K7	0032	003			9130	1994	T		S2	26766201003	000000 BROWNS	WALTHAM	1	S		9,500	SODIUM								
K7	0032	005			9130	1994	T		S2	26766201003	000000 BROWNS	WALTHAM	1	S		9,500	SODIUM								

CODE										LOCATION			EXISTING FIXTURE TYPE					PROPOSED FIXTURE TYPE				ENERGY SAVINGS		Comments	
TD	Route	Item	F	SF	Unit	Vint	CC	SM	S2	Account	ADDRESS	CITY	Qty	FT	LT	LUMENS	FT Description	Watts	Qty	FT Description	Lumens	Watts	kW Savings		kWh Savings
K7	0032	006			9130	1994	T		S2	26766201003	000000 BROWNS	WALTHAM	1	S		9,500	SODIUM								
K7	0033	002			9130	1991	T		S2	26766201003	000000 PARK	WALTHAM	1	S		9,500	SODIUM								
K7	0033	004			9130	1991	T		S2	26766201003	000000 PARK	WALTHAM	1	S		9,500	SODIUM								
K7	0033	005			9130	1991	T		S2	26766201003	000000 PARK	WALTHAM	1	S		9,500	SODIUM								
K7	0033	007			9130	1991	T		S2	26766201003	000000 PARK	WALTHAM	1	S		9,500	SODIUM								
K7	0034	003			9130	1990	T		S2	26766201003	000000 CABOT	WALTHAM	1	S		9,500	SODIUM								
K7	0034	005			9130	1990	T		S2	26766201003	000000 CABOT	WALTHAM	1	S		9,500	SODIUM								
K7	0034	007			9130	1990	T		S2	26766201003	000000 CABOT	WALTHAM	1	S		9,500	SODIUM								
K7	0034	008			9130	1990	T		S2	26766201003	000000 CABOT	WALTHAM	1	S		9,500	SODIUM								
K7	0034	009			9130	1990	T		S2	26766201003	000000 CABOT	WALTHAM	1	S		9,500	SODIUM								
K7	0034	010			9130	1990	T		S2	26766201003	000000 CABOT	WALTHAM	1	S		9,500	SODIUM								
K7	0035	001			9130	1986	T		S2	26766201003	000000 CALVARY	WALTHAM	1	S		9,500	SODIUM								
K7	0035	003			9130	1986	T		S2	26766201003	000000 CALVARY	WALTHAM	1	S		9,500	SODIUM								
K7	0035	005			9130	1986	T		S2	26766201003	000000 CALVARY	WALTHAM	1	S		9,500	SODIUM								
K7	0035	006			9130	1987	T		S2	26766201003	000000 MAIN	WALTHAM	1	S		25,000	SODIUM								
K7	0035	007			9130	1986	T		S2	26766201003	000000 CALVARY	WALTHAM	1	S		9,500	SODIUM								
K7	0035	009			9130	1986	T		S2	26766201003	000000 CALVARY	WALTHAM	1	S		9,500	SODIUM								
K7	0035	011			9130	1986	T		S2	26766201003	000000 CALVARY	WALTHAM	1	S		9,500	SODIUM								
K7	0035	014			9130	1986	T		S2	26766201003	000000 CALVARY	WALTHAM	1	S		9,500	SODIUM								
K7	0035	016			9130	1986	T		S2	26766201003	000000 CALVARY	WALTHAM	1	S		9,500	SODIUM								
K7	0035	018		1	9130	1987	T		S2	26766201003	000000 MAIN	WALTHAM	1	S		25,000	SODIUM								
K7	0035	018		2	9130	1986	T		S2	26766201003	000000 CALVARY	WALTHAM	1	S		9,500	SODIUM								
K7	0035	020		1	9130	1987	T		S2	26766201003	000000 MAIN	WALTHAM	1	S		25,000	SODIUM								
K7	0035	020		2	9130	1986	T		S2	26766201003	000000 CALVARY	WALTHAM	1	S		9,500	SODIUM								
K7	0035	022		1	9130	1987	T		S2	26766201003	000000 MAIN	WALTHAM	1	S		25,000	SODIUM								
K7	0035	022		2	9130	1986	T		S2	26766201003	000000 CALVARY	WALTHAM	1	S		9,500	SODIUM								
K7	0035	024		1	9130	1987	T		S2	26766201003	000000 MAIN	WALTHAM	1	S		25,000	SODIUM								
K7	0035	024		2	9130	1986	T		S2	26766201003	000000 CALVARY	WALTHAM	1	S		9,500	SODIUM								
K7	0035	026			9130	1986	T		S2	26766201003	000000 CALVARY	WALTHAM	1	S		9,500	SODIUM								
K7	0035	028		1	9130	1987	T		S2	26766201003	000000 MAIN	WALTHAM	1	S		25,000	SODIUM								
K7	0035	028		2	9130	1986	T		S2	26766201003	000000 CALVARY	WALTHAM	1	S		9,500	SODIUM								
K7	0035	030			9130	1986	T		S2	26766201003	000000 CALVARY	WALTHAM	1	S		9,500	SODIUM								
K7	0035	141			9130	1986	T		S2	26766201003	000000 MAIN	WALTHAM	1	S		25,000	SODIUM								
K7	0036	002			9130	1988	T		S2	26766201003	000000 MAPLE	WALTHAM	1	S		16,000	SODIUM								
K7	0036	004			9130	1988	T		S2	26766201003	000000 MAPLE	WALTHAM	1	S		16,000	SODIUM								
K7	0036	006			9130	1988	T		S2	26766201003	000000 MAPLE	WALTHAM	1	S		16,000	SODIUM								
K7	0036	008			9130	1988	T		S2	26766201003	000000 MAPLE	WALTHAM	1	S		16,000	SODIUM								
K7	0036	009			9130	1988	T		S2	26766201003	000000 MAPLE	WALTHAM	1	S		16,000	SODIUM								
K7	0036	010			9130	1988	T		S2	26766201003	000000 MAPLE	WALTHAM	1	S		16,000	SODIUM								
K7	0036	012			9130	1988	T		S2	26766201003	000000 MAPLE	WALTHAM	1	S		16,000	SODIUM								
K7	0036	014			9130	1988	T		S2	26766201003	000000 MAPLE	WALTHAM	1	S		16,000	SODIUM								
K7	0037	002			9130	1989	T		S2	26766201003	000000 SUMMIT	WALTHAM	1	S		9,500	SODIUM								
K7	0037	003			9130	1989	T		S2	26766201003	000000 SUMMIT	WALTHAM	1	S		9,500	SODIUM								
K7	0037	005			9130	1989	T		S2	26766201003	000000 SUMMIT	WALTHAM	1	S		9,500	SODIUM								
K7	0037	010			9130	1989	T		S2	26766201003	000000 SUMMIT	WALTHAM	1	S		9,500	SODIUM								
K7	0037	012			9130	1989	T		S2	26766201003	000000 SUMMIT	WALTHAM	1	S		9,500	SODIUM								
K7	0037	014			9130	1989	T		S2	26766201003	000000 SUMMIT	WALTHAM	1	S		9,500	SODIUM								
K7	0037	017			9130	1989	T		S2	26766201003	000000 SUMMIT	WALTHAM	1	S		9,500	SODIUM								
K7	0037	018			9130	1989	T		S2	26766201003	000000 SUMMIT	WALTHAM	1	S		9,500	SODIUM								
K7	0038	001			9130	1991	T		S2	26766201003	000000 CLARK	WALTHAM	1	S		9,500	SODIUM								

CODE											LOCATION			EXISTING FIXTURE TYPE				PROPOSED FIXTURE TYPE				ENERGY SAVINGS		Comments
TD	Route	Item	F	SF	Unit	Vint	CC	SM	S2	Account	ADDRESS	CITY	Qty	FT	LT	LUMENS	FT Description	Watts	Qty	FT Description	Lumens	Watts	kW Savings	
K7	0038	002		1	0000	2012	T		S2	26766201003	000000 CASTLE	WALTHAM	1	D		1,688	LED							
K7	0038	002		2	9130	1991	T		S2	26766201003	000000 CLARK	WALTHAM	1	S		9,500	SODIUM							
K7	0038	003			9130	1989	T		S2	26766201003	000000 CASTLE	WALTHAM	1	S		9,500	SODIUM							
K7	0038	004			9130	1991	T		S2	26766201003	000000 CLARK	WALTHAM	1	S		9,500	SODIUM							
K7	0038	006			9130	1991	T		S2	26766201003	000000 CLARK	WALTHAM	1	S		9,500	SODIUM							
K7	0038	013			9130	1991	T		S2	26766201003	000000 CLARK	WALTHAM	1	S		9,500	SODIUM							
K7	0038	014			9130	1992	T		S2	26766201003	000000 WOODLAWN	WALTHAM	1	S		9,500	SODIUM							
K7	0038	015			9130	1991	T		S2	26766201003	000000 CLARK	WALTHAM	1	S		9,500	SODIUM							
K7	0038	017			9130	1991	T		S2	26766201003	000000 CLARK	WALTHAM	1	S		9,500	SODIUM							
K7	0039	001			9130	1988	T		S2	26766201003	000000 CAUGHEY	WALTHAM	1	S		9,500	SODIUM							
K7	0039	003			9130	1988	T		S2	26766201003	000000 CAUGHEY	WALTHAM	1	S		9,500	SODIUM							
K7	0039	005			9130	1988	T		S2	26766201003	000000 CAUGHEY	WALTHAM	1	S		9,500	SODIUM							
K7	0039	008			9130	1988	T		S2	26766201003	000000 CAUGHEY	WALTHAM	1	S		9,500	SODIUM							
K7	0039	010			9130	1988	T		S2	26766201003	000000 CAUGHEY	WALTHAM	1	S		9,500	SODIUM							
K7	0040	001			9130	1987	T		S2	26766201003	000000 CEDAR	WALTHAM	1	S		9,500	SODIUM							
K7	0040	003			9130	1987	T		S2	26766201003	000000 CEDAR	WALTHAM	1	S		9,500	SODIUM							
K7	0040	006			9130	1987	T		S2	26766201003	000000 CEDAR	WALTHAM	1	S		9,500	SODIUM							
K7	0040	008			9130	1987	T		S2	26766201003	000000 CEDAR	WALTHAM	1	S		9,500	SODIUM							
K7	0040	011			9130	1987	T		S2	26766201003	000000 CEDAR	WALTHAM	1	S		9,500	SODIUM							
K7	0040	013			9130	1987	T		S2	26766201003	000000 CEDAR	WALTHAM	1	S		9,500	SODIUM							
K7	0041	001			9130	1991	T		S2	26766201003	000000 CENTRAL	WALTHAM	1	S		9,500	SODIUM							
K7	0041	002			9130	1991	T		S2	26766201003	000000 CENTRAL	WALTHAM	1	S		9,500	SODIUM							
K7	0041	003			9130	1991	T		S2	26766201003	000000 CENTRAL	WALTHAM	1	S		9,500	SODIUM							
K7	0041	004			9130	1991	T		S2	26766201003	000000 CENTRAL	WALTHAM	1	S		9,500	SODIUM							
K7	0041	005			9130	1991	T		S2	26766201003	000000 CENTRAL	WALTHAM	1	S		9,500	SODIUM							
K7	0041	006			9130	1991	T		S2	26766201003	000000 CENTRAL	WALTHAM	1	S		9,500	SODIUM							
K7	0041	007			9130	1991	T		S2	26766201003	000000 CENTRAL	WALTHAM	1	S		9,500	SODIUM							
K7	0041	008			9130	1991	T		S2	26766201003	000000 CENTRAL	WALTHAM	1	S		9,500	SODIUM							
K7	0041	009			9130	1991	T		S2	26766201003	000085 CENTRAL	WALTHAM	1	S		9,500	SODIUM							
K7	0041	010			9130	1991	T		S2	26766201003	000000 CENTRAL	WALTHAM	1	S		9,500	SODIUM							
K7	0041	011			9130	1991	T		S2	26766201003	000000 CENTRAL	WALTHAM	1	S		9,500	SODIUM							
K7	0041	012			9130	1991	T		S2	26766201003	000000 CENTRAL	WALTHAM	1	S		9,500	SODIUM							
K7	0042	001			9130	1991	T		S2	26766201003	000000 ARCADIA	WALTHAM	1	S		9,500	SODIUM							
K7	0043	001			9130	1991	T		S2	26766201003	000000 CENTRE	WALTHAM	1	S		9,500	SODIUM							
K7	0043	002			9130	1991	T		S2	26766201003	000000 CENTRE	WALTHAM	1	S		9,500	SODIUM							
K7	0044	002			0000	2012	T		S2	26766201003	000000 CHAMBERLAIN	WALTHAM	1	D		1,688	LED							
K7	0044	018			9130	1993	T		S2	26766201003	000000 NEWTON	WALTHAM	1	S		16,000	SODIUM							
K7	0045	003			9130	1988	T		S2	26766201003	000000 CHARLES	WALTHAM	1	S		16,000	SODIUM							
K7	0045	004		1	9130	1991	T		S2	26766201003	000000 HIGH	WALTHAM	1	S		16,000	SODIUM							
K7	0045	004		2	9130	1988	T		S2	26766201003	000000 CHARLES	WALTHAM	1	S		16,000	SODIUM							
K7	0045	006			9130	1988	T		S2	26766201003	000000 CHARLES	WALTHAM	1	S		16,000	SODIUM							
K7	0045	007			9130	1991	T		S2	26766201003	000000 HIGH	WALTHAM	1	S		16,000	SODIUM							
K7	0045	008		1	9130	1991	T		S2	26766201003	000000 HIGH	WALTHAM	1	S		16,000	SODIUM							
K7	0045	008		2	9130	1988	T		S2	26766201003	000000 CHARLES	WALTHAM	1	S		16,000	SODIUM							
K7	0045	009			9130	1991	T		S2	26766201003	000000 HIGH	WALTHAM	1	S		16,000	SODIUM							
K7	0045	010			9130	1991	T		S2	26766201003	000000 HIGH	WALTHAM	1	S		16,000	SODIUM							
K7	0045	011		1	9130	1991	T		S2	26766201003	000000 HIGH	WALTHAM	1	S		16,000	SODIUM							
K7	0045	011		2	9130	1988	T		S2	26766201003	000000 CHARLES	WALTHAM	1	S		16,000	SODIUM							
K7	0045	012		1	9130	1991	T		S2	26766201003	000000 HIGH	WALTHAM	1	S		16,000	SODIUM							
K7	0045	012		2	9130	1988	T		S2	26766201003	000000 CHARLES	WALTHAM	1	S		16,000	SODIUM							

CODE											LOCATION			EXISTING FIXTURE TYPE					PROPOSED FIXTURE TYPE				ENERGY SAVINGS		Comments
TD	Route	Item	F	SF	Unit	Vint	CC	SM	S2	Account	ADDRESS	CITY	Qty	FT	LT	LUMENS	FT Description	Watts	Qty	FT Description	Lumens	Watts	kW Savings	kWh Savings	
K7	0045	013		1	9130	1991	T		S2	26766201003	000000 HIGH	WALTHAM	1	S		16,000	SODIUM								
K7	0045	013		2	9130	1988	T		S2	26766201003	000000 CHARLES	WALTHAM	1	S		16,000	SODIUM								
K7	0045	014		1	9130	1991	T		S2	26766201003	000000 HIGH	WALTHAM	1	S		16,000	SODIUM								
K7	0045	014		2	9130	1988	T		S2	26766201003	000000 CHARLES	WALTHAM	1	S		16,000	SODIUM								
K7	0045	015			9130	1988	T		S2	26766201003	000000 CHARLES	WALTHAM	1	S		16,000	SODIUM								
K7	0045	016			9130	1988	T		S2	26766201003	000000 CHARLES	WALTHAM	1	S		16,000	SODIUM								
K7	0045	018		1	9130	1991	T		S2	26766201003	000000 HIGH	WALTHAM	1	S		16,000	SODIUM								
K7	0045	018		2	9130	1988	T		S2	26766201003	000000 CHARLES	WALTHAM	1	S		16,000	SODIUM								
K7	0045	020		1	9130	1991	T		S2	26766201003	000000 HIGH	WALTHAM	1	S		16,000	SODIUM								
K7	0045	020		2	9130	1988	T		S2	26766201003	000000 CHARLES	WALTHAM	1	S		16,000	SODIUM								
K7	0045	022		1	9130	1985	T		S2	26766201003	000000 VILES	WALTHAM	1	S		2,150	SODIUM								
K7	0045	022		2	9130	1991	T		S2	26766201003	000000 HIGH	WALTHAM	1	S		16,000	SODIUM								
K7	0045	022		3	9130	1988	T		S2	26766201003	000000 CHARLES	WALTHAM	1	S		16,000	SODIUM								
K7	0045	023			9130	1988	T		S2	26766201003	000000 CHARLES	WALTHAM	1	S		16,000	SODIUM								
K7	0045	024			9130	1988	T		S2	26766201003	000000 CHARLES	WALTHAM	1	S		16,000	SODIUM								
K7	0045	026			9130	1991	T		S2	26766201003	000000 HIGH	WALTHAM	1	S		16,000	SODIUM								
K7	0045	028			9130	1988	T		S2	26766201003	000000 CHARLES	WALTHAM	1	S		16,000	SODIUM								
K7	0045	029			9130	1991	T		S2	26766201003	000000 HIGH	WALTHAM	1	S		16,000	SODIUM								
K7	0045	030		1	9130	1991	T		S2	26766201003	000000 HIGH	WALTHAM	1	S		16,000	SODIUM								
K7	0045	030		2	9130	1988	T		S2	26766201003	000000 CHARLES	WALTHAM	1	S		16,000	SODIUM								
K7	0045	031			9130	1991	T		S2	26766201003	000000 HIGH	WALTHAM	1	S		16,000	SODIUM								
K7	0045	032		1	9130	1991	T		S2	26766201003	000000 HIGH	WALTHAM	1	S		16,000	SODIUM								
K7	0045	032		2	9130	1988	T		S2	26766201003	000000 CHARLES	WALTHAM	1	S		16,000	SODIUM								
K7	0045	033			9130	1991	T		S2	26766201003	000000 HIGH	WALTHAM	1	S		16,000	SODIUM								
K7	0045	034			9130	1991	T		S2	26766201003	000000 HIGH	WALTHAM	1	S		16,000	SODIUM								
K7	0046	001			9130	1991	T		S2	26766201003	000000 HOLLACE	WALTHAM	1	S		9,500	SODIUM								
K7	0046	002			9130	1991	T		S2	26766201003	000000 HOLLACE	WALTHAM	1	S		9,500	SODIUM								
K7	0046	003			9130	1991	T		S2	26766201003	000000 HOLLACE	WALTHAM	1	S		9,500	SODIUM								
K7	0046	004			9130	1991	T		S2	26766201003	000000 HOLLACE	WALTHAM	1	S		9,500	SODIUM								
K7	0046	005			9130	1991	T		S2	26766201003	000000 HOLLACE	WALTHAM	1	S		9,500	SODIUM								
K7	0046	007			9130	1991	T		S2	26766201003	000000 HOLLACE	WALTHAM	1	S		9,500	SODIUM								
K7	0046	008			9130	1991	T		S2	26766201003	000000 HOLLACE	WALTHAM	1	S		9,500	SODIUM								
K7	0047	003			9130	1988	T		S2	26766201003	000000 CHERRY	WALTHAM	1	S		9,500	SODIUM								
K7	0047	005			9130	1988	T		S2	26766201003	000000 CHERRY	WALTHAM	1	S		9,500	SODIUM								
K7	0047	007			9130	1988	T		S2	26766201003	000000 CHERRY	WALTHAM	1	S		9,500	SODIUM								
K7	0047	009			9130	1988	T		S2	26766201003	000000 CHERRY	WALTHAM	1	S		9,500	SODIUM								
K7	0047	011			9130	1988	T		S2	26766201003	000000 CHERRY	WALTHAM	1	S		9,500	SODIUM								
K7	0047	013			9130	1988	T		S2	26766201003	000000 CHERRY	WALTHAM	1	S		9,500	SODIUM								
K7	0047	044			9130	1992	T		S2	26766201003	000000 CRESCENT	WALTHAM	1	S		16,000	SODIUM								
K7	0047	046			9130	1992	T		S2	26766201003	000000 CRESCENT	WALTHAM	1	S		16,000	SODIUM								
K7	0048	004			9130	1988	T		S2	26766201003	000000 ADAMS	WALTHAM	1	S		16,000	SODIUM								
K7	0048	005			9130	1993	T		S2	26766201003	000000 ADAMS	WALTHAM	1	S		16,000	SODIUM								
K7	0048	027			9130	1988	T		S2	26766201003	000000 ADAMS	WALTHAM	1	S		16,000	SODIUM								
K7	0048	029			9130	1988	T		S2	26766201003	000000 ADAMS	WALTHAM	1	S		16,000	SODIUM								
K7	0048	031			9130	1988	T		S2	26766201003	000000 ADAMS	WALTHAM	1	S		16,000	SODIUM								
K7	0049	001			9130	1992	T		S2	26766201003	000000 CHESTNUT	WALTHAM	1	S		9,500	SODIUM								
K7	0049	002			9130	1992	T		S2	26766201003	000000 CHESTNUT	WALTHAM	1	S		9,500	SODIUM								
K7	0049	004			9130	1992	T		S2	26766201003	000000 CHESTNUT	WALTHAM	1	S		9,500	SODIUM								
K7	0049	005			9130	1992	T		S2	26766201003	000000 CHESTNUT	WALTHAM	1	S		9,500	SODIUM								
K7	0049	007			9130	1992	T		S2	26766201003	000000 CHESTNUT	WALTHAM	1	S		9,500	SODIUM								

CODE										LOCATION			EXISTING FIXTURE TYPE					PROPOSED FIXTURE TYPE				ENERGY SAVINGS		Comments	
TD	Route	Item	F	SF	Unit	Vint	CC	SM	S2	Account	ADDRESS	CITY	Qty	FT	LT	LUMENS	FT Description	Watts	Qty	FT Description	Lumens	Watts	kW Savings		kWh Savings
K7	0049	008			9130	1992	T		S2	26766201003	000000 CHESTNUT	WALTHAM	1	S		9,500	SODIUM								
K7	0049	009			9130	1992	T		S2	26766201003	000000 CHESTNUT	WALTHAM	1	S		9,500	SODIUM								
K7	0049	010			9130	1992	T		S2	26766201003	000000 CHESTNUT	WALTHAM	1	S		9,500	SODIUM								
K7	0049	012			9130	1992	T		S2	26766201003	000000 CHESTNUT	WALTHAM	1	S		9,500	SODIUM								
K7	0049	014			9130	1992	T		S2	26766201003	000000 CHESTNUT	WALTHAM	1	S		9,500	SODIUM								
K7	0049	016			9130	1992	T		S2	26766201003	000000 CHESTNUT	WALTHAM	1	S		9,500	SODIUM								
K7	0049	017			9130	1992	T		S2	26766201003	000000 CHESTNUT	WALTHAM	1	S		9,500	SODIUM								
K7	0049	018			9130	1992	T		S2	26766201003	000000 CHESTNUT	WALTHAM	1	S		9,500	SODIUM								
K7	0049	020			9130	1992	T		S2	26766201003	000000 CHESTNUT	WALTHAM	1	S		9,500	SODIUM								
K7	0049	021			9130	1992	T		S2	26766201003	000000 CHESTNUT	WALTHAM	1	S		9,500	SODIUM								
K7	0049	023			9130	1992	T		S2	26766201003	000000 CHESTNUT	WALTHAM	1	S		9,500	SODIUM								
K7	0049	025			9130	1992	T		S2	26766201003	000000 CHESTNUT	WALTHAM	1	S		9,500	SODIUM								
K7	0050	001			9130	1987	T		S2	26766201003	000000 CEDARWOOD	WALTHAM	1	S		9,500	SODIUM								
K7	0050	002			9130	1987	T		S2	26766201003	000000 CEDARWOOD	WALTHAM	1	S		9,500	SODIUM								
K7	0050	004			9130	1987	T		S2	26766201003	000000 CEDARWOOD	WALTHAM	1	S		9,500	SODIUM								
K7	0050	006			9130	1987	T		S2	26766201003	000000 CEDARWOOD	WALTHAM	1	S		9,500	SODIUM								
K7	0050	008			9130	1987	T		S2	26766201003	000000 CEDARWOOD	WALTHAM	1	S		9,500	SODIUM								
K7	0050	010			9130	1987	T		S2	26766201003	000000 CEDARWOOD	WALTHAM	1	S		9,500	SODIUM								
K7	0050	012			9130	1987	T		S2	26766201003	000000 CEDARWOOD	WALTHAM	1	S		9,500	SODIUM								
K7	0051	001			9130	1988	T		S2	26766201003	000000 ARLINGTON	WALTHAM	1	S		9,500	SODIUM								
K7	0051	002			9130	1988	T		S2	26766201003	000000 ARLINGTON	WALTHAM	1	S		9,500	SODIUM								
K7	0051	004			9130	1988	T		S2	26766201003	000000 ARLINGTON	WALTHAM	1	S		9,500	SODIUM								
K7	0051	005			9130	1988	T		S2	26766201003	000000 ARLINGTON	WALTHAM	1	S		9,500	SODIUM								
K7	0051	042			9130	1991	T		S2	26766201003	000000 CHURCH	WALTHAM	1	S		9,500	SODIUM								
K7	0052	002			9130	1991	T		S2	26766201003	000000 ARCADIA	WALTHAM	1	S		9,500	SODIUM								
K7	0052	004			9130	1991	T		S2	26766201003	000000 ARCADIA	WALTHAM	1	S		9,500	SODIUM								
K7	0052	006			9130	1991	T		S2	26766201003	000000 ARCADIA	WALTHAM	1	S		9,500	SODIUM								
K7	0052	009			9130	1991	T		S2	26766201003	000000 ARCADIA	WALTHAM	1	S		9,500	SODIUM								
K7	0052	011			9130	1991	T		S2	26766201003	000000 ARCADIA	WALTHAM	1	S		9,500	SODIUM								
K7	0052	013			9130	1991	T		S2	26766201003	000000 ARCADIA	WALTHAM	1	S		9,500	SODIUM								
K7	0052	014			9130	1991	T		S2	26766201003	000000 ARCADIA	WALTHAM	1	S		9,500	SODIUM								
K7	0053	002			9130	1991	T		S2	26766201003	000000 CARLETON	WALTHAM	1	S		9,500	SODIUM								
K7	0053	004			9130	1991	T		S2	26766201003	000000 CARLETON	WALTHAM	1	S		9,500	SODIUM								
K7	0053	007			9130	1991	T		S2	26766201003	000000 CARLETON	WALTHAM	1	S		9,500	SODIUM								
K7	0054	002			9130	1991	T		S2	26766201003	000000 CLINTON	WALTHAM	1	S		9,500	SODIUM								
K7	0054	003			9130	1991	T		S2	26766201003	000000 CLINTON	WALTHAM	1	S		9,500	SODIUM								
K7	0054	004			9130	1991	T		S2	26766201003	000000 CLINTON	WALTHAM	1	S		9,500	SODIUM								
K7	0054	005			9130	1991	T		S2	26766201003	000000 CLINTON	WALTHAM	1	S		9,500	SODIUM								
K7	0055	001			9130	1991	T		S2	26766201003	000000 COLBURN	WALTHAM	1	S		9,500	SODIUM								
K7	0055	003			9130	1991	T		S2	26766201003	000000 COLBURN	WALTHAM	1	S		9,500	SODIUM								
K7	0055	006			9130	1991	T		S2	26766201003	000000 COLBURN	WALTHAM	1	S		9,500	SODIUM								
K7	0055	008			9130	1991	T		S2	26766201003	000000 COLBURN	WALTHAM	1	S		9,500	SODIUM								
K7	0055	010			9130	1991	T		S2	26766201003	000000 COLBURN	WALTHAM	1	S		9,500	SODIUM								
K7	0055	028			9130	1988	T		S2	26766201003	000000 ASH	WALTHAM	1	S		9,500	SODIUM								
K7	0056	002			9130	1988	T		S2	26766201003	000000 BRYANT	WALTHAM	1	S		4,000	SODIUM								
K7	0057	004			9130	1991	T		S2	26766201003	000000 DEMEREST	WALTHAM	1	S		9,500	SODIUM								
K7	0058	002			9130	1991	T		S2	26766201003	000000 COMMON	WALTHAM	1	S		9,500	SODIUM								
K7	0058	003			9130	1991	T		S2	26766201003	000000 COMMON	WALTHAM	1	S		9,500	SODIUM								
K7	0058	004			9130	1991	T		S2	26766201003	000000 COMMON	WALTHAM	1	S		9,500	SODIUM								
K7	0058	006			9130	1991	T		S2	26766201003	000000 COMMON	WALTHAM	1	S		9,500	SODIUM								

CODE										LOCATION			EXISTING FIXTURE TYPE					PROPOSED FIXTURE TYPE				ENERGY SAVINGS		Comments	
TD	Route	Item	F	SF	Unit	Vint	CC	SM	S2	Account	ADDRESS	CITY	Qty	FT	LT	LUMENS	FT Description	Watts	Qty	FT Description	Lumens	Watts	kW Savings		kWh Savings
K7	0058	009			9130	1992	T		S2	26766201003	000000 CHESTNUT	WALTHAM	1	S		9,500	SODIUM								
K7	0059	001			9130	1988	T		S2	26766201003	000000 BUTTRICK	WALTHAM	1	S		4,000	SODIUM								
K7	0059	002			9130	1988	T		S2	26766201003	000000 BUTTRICK	WALTHAM	1	S		4,000	SODIUM								
K7	0059	003			9130	1988	T		S2	26766201003	000000 BUTTRICK	WALTHAM	1	S		4,000	SODIUM								
K7	0060	002			9130	1991	T		S2	26766201003	000000 HUMBOLT	WALTHAM	1	S		9,500	SODIUM								
K7	0060	004			9130	1991	T		S2	26766201003	000000 HUMBOLT	WALTHAM	1	S		9,500	SODIUM								
K7	0060	006			9130	1991	T		S2	26766201003	000000 HUMBOLT	WALTHAM	1	S		9,500	SODIUM								
K7	0061	002			9130	1991	T		S2	26766201003	000000 CRAFTS	WALTHAM	1	S		9,500	SODIUM								
K7	0061	004			9130	1991	T		S2	26766201003	000000 CRAFTS	WALTHAM	1	S		9,500	SODIUM								
K7	0061	005			9130	1987	T		S2	26766201003	000000 CUSHING	WALTHAM	1	S		16,000	SODIUM								
K7	0061	006		1	9130	1991	T		S2	26766201003	000000 CRAFTS	WALTHAM	1	S		9,500	SODIUM								
K7	0061	006		2	9130	1986	T		S2	26766201003	000000 CUSHING	WALTHAM	1	S		4,000	SODIUM								
K7	0062	001			9130	1991	T		S2	26766201003	000000 VAN VECHTEN	WALTHAM	1	S		9,500	SODIUM								
K7	0062	003			9130	1991	T		S2	26766201003	000000 VAN VECHTEN	WALTHAM	1	S		9,500	SODIUM								
K7	0062	005			9130	1991	T		S2	26766201003	000000 VAN VECHTEN	WALTHAM	1	S		9,500	SODIUM								
K7	0062	007			9130	1991	T		S2	26766201003	000000 VAN VECHTEN	WALTHAM	1	S		9,500	SODIUM								
K7	0063	001			9130	1992	T		S2	26766201003	000000 LAUREL	WALTHAM	1	S		9,500	SODIUM								
K7	0063	002			9130	1992	T		S2	26766201003	000000 LAUREL	WALTHAM	1	S		9,500	SODIUM								
K7	0063	003			9130	1992	T		S2	26766201003	000000 CRESCENT	WALTHAM	1	S		16,000	SODIUM								
K7	0063	004			9130	1992	T		S2	26766201003	000000 CRESCENT	WALTHAM	1	S		16,000	SODIUM								
K7	0063	005			9130	1992	T		S2	26766201003	000000 CRESCENT	WALTHAM	1	S		16,000	SODIUM								
K7	0063	007			9130	1992	T		S2	26766201003	000000 CRESCENT	WALTHAM	1	S		16,000	SODIUM								
K7	0063	010			9130	1992	T		S2	26766201003	000000 CRESCENT	WALTHAM	1	S		16,000	SODIUM								
K7	0063	012			9130	1992	T		S2	26766201003	000000 CRESCENT	WALTHAM	1	S		16,000	SODIUM								
K7	0063	014			9130	1992	T		S2	26766201003	000000 CRESCENT	WALTHAM	1	S		16,000	SODIUM								
K7	0063	017			9130	1992	T		S2	26766201003	000000 CRESCENT	WALTHAM	1	S		16,000	SODIUM								
K7	0063	018			9130	1992	T		S2	26766201003	000000 CRESCENT	WALTHAM	1	S		16,000	SODIUM								
K7	0063	019			9130	1992	T		S2	26766201003	000000 CRESCENT	WALTHAM	1	S		16,000	SODIUM								
K7	0063	020			9130	1992	T		S2	26766201003	000000 CRESCENT	WALTHAM	1	S		16,000	SODIUM								
K7	0063	021			9130	1992	T		S2	26766201003	000000 CRESCENT	WALTHAM	1	S		16,000	SODIUM								
K7	0063	022			9130	1992	T		S2	26766201003	000241 CRESCENT	WALTHAM	1	S		16,000	SODIUM								
K7	0063	023			9130	1992	T		S2	26766201003	000000 CRESCENT	WALTHAM	1	S		16,000	SODIUM								
K7	0063	024			9130	1992	T		S2	26766201003	000000 CRESCENT	WALTHAM	1	S		16,000	SODIUM								
K7	0063	025			9130	1992	T		S2	26766201003	000000 CRESCENT	WALTHAM	1	S		16,000	SODIUM								
K7	0063	026			9130	1992	T		S2	26766201003	000000 CRESCENT	WALTHAM	1	S		16,000	SODIUM								
K7	0063	027			9130	1992	T		S2	26766201003	000000 CRESCENT	WALTHAM	1	S		16,000	SODIUM								
K7	0063	028			9130	1992	T		S2	26766201003	000241 CRESCENT	WALTHAM	1	S		16,000	SODIUM								
K7	0063	029			9130	1992	T		S2	26766201003	000000 CRESCENT	WALTHAM	1	S		16,000	SODIUM								
K7	0063	031			9130	1992	T		S2	26766201003	000000 CRESCENT	WALTHAM	1	S		16,000	SODIUM								
K7	0063	032			9130	1992	T		S2	26766201003	000000 CRESCENT	WALTHAM	1	S		16,000	SODIUM								
K7	0063	034			9130	1992	T		S2	26766201003	000000 CRESCENT	WALTHAM	1	S		16,000	SODIUM								
K7	0063	035			9130	1992	T		S2	26766201003	000000 CRESCENT	WALTHAM	1	S		16,000	SODIUM								
K7	0063	036			9130	1992	T		S2	26766201003	000000 CRESCENT	WALTHAM	1	S		16,000	SODIUM								
K7	0063	037			9130	1992	T		S2	26766201003	000000 CRESCENT	WALTHAM	1	S		16,000	SODIUM								
K7	0063	038			9130	1992	T		S2	26766201003	000000 CRESCENT	WALTHAM	1	S		16,000	SODIUM								
K7	0063	039		1	9130	1999	T		S2	26766201003	000000 CRESCENT	WALTHAM	1	S		9,500	SODIUM								
K7	0063	039		2	9130	1999	T		S2	26766201003	000000 CRESCENT	WALTHAM	1	S		9,500	SODIUM								
K7	0063	039		3	9130	1992	T		S2	26766201003	000000 CRESCENT	WALTHAM	1	S		16,000	SODIUM								
K7	0063	041			9130	1992	T		S2	26766201003	000000 CRESCENT	WALTHAM	1	S		16,000	SODIUM								
K7	0063	043			9130	1992	T		S2	26766201003	000000 CRESCENT	WALTHAM	1	S		16,000	SODIUM								

CODE										LOCATION			EXISTING FIXTURE TYPE					PROPOSED FIXTURE TYPE				ENERGY SAVINGS		Comments	
TD	Route	Item	F	SF	Unit	Vint	CC	SM	S2	Account	ADDRESS	CITY	Qty	FT	LT	LUMENS	FT Description	Watts	Qty	FT Description	Lumens	Watts	kW Savings		kWh Savings
K7	0063	045			9130	1992	T		S2	26766201003	000000 CRESCENT	WALTHAM	1	S		16,000	SODIUM								
K7	0063	046			9130	1992	T		S2	26766201003	000000 CRESCENT	WALTHAM	1	S		16,000	SODIUM								
K7	0063	050			9130	1992	T		S2	26766201003	000000 CRESCENT	WALTHAM	1	S		16,000	SODIUM								
K7	0065	001			9130	1991	T		S2	26766201003	000000 CROSS	WALTHAM	1	S		9,500	SODIUM								
K7	0065	002			9130	1991	T		S2	26766201003	000000 CROSS	WALTHAM	1	S		9,500	SODIUM								
K7	0065	003			9130	1991	T		S2	26766201003	000000 CROSS	WALTHAM	1	S		9,500	SODIUM								
K7	0066	002			9130	1989	T		S2	26766201003	000000 UPLAND	WALTHAM	1	S		9,500	SODIUM								
K7	0066	003			9130	1989	T		S2	26766201003	000000 UPLAND	WALTHAM	1	S		9,500	SODIUM								
K7	0066	005			9130	1989	T		S2	26766201003	000000 UPLAND	WALTHAM	1	S		9,500	SODIUM								
K7	0066	006			9130	1989	T		S2	26766201003	000000 UPLAND	WALTHAM	1	S		9,500	SODIUM								
K7	0066	008			9130	1989	T		S2	26766201003	000000 UPLAND	WALTHAM	1	S		9,500	SODIUM								
K7	0067	002			9130	1991	T		S2	26766201003	000000 CURVE	WALTHAM	1	S		9,500	SODIUM								
K7	0067	004			9130	1991	T		S2	26766201003	000000 CURVE	WALTHAM	1	S		9,500	SODIUM								
K7	0067	006			9130	1991	T		S2	26766201003	000000 CURVE	WALTHAM	1	S		9,500	SODIUM								
K7	0067	007			9130	1994	T		S2	26766201003	000000 CURVE	WALTHAM	1	S		9,500	SODIUM								
K7	0068	001			9130	1986	T		S2	26766201003	000000 CUSHING	WALTHAM	1	S		4,000	SODIUM								
K7	0068	003			9130	1986	T		S2	26766201003	000000 CUSHING	WALTHAM	1	S		4,000	SODIUM								
K7	0068	005			9130	1986	T		S2	26766201003	000000 CUSHING	WALTHAM	1	S		4,000	SODIUM								
K7	0068	008			9130	1986	T		S2	26766201003	000000 CUSHING	WALTHAM	1	S		4,000	SODIUM								
K7	0068	009			9130	1986	T		S2	26766201003	000000 CUSHING	WALTHAM	1	S		4,000	SODIUM								
K7	0068	011			9130	1986	T		S2	26766201003	000000 CUSHING	WALTHAM	1	S		4,000	SODIUM								
K7	0068	013			9130	1986	T		S2	26766201003	000000 CUSHING	WALTHAM	1	S		4,000	SODIUM								
K7	0069	001			9130	1992	T		S2	26766201003	000000 WYOLA PROSPEC	WALTHAM	1	S		9,500	SODIUM								
K7	0069	003			9130	1992	T		S2	26766201003	000000 WYOLA PROSPEC	WALTHAM	1	S		9,500	SODIUM								
K7	0069	004			9130	1992	T		S2	26766201003	000000 WYOLA PROSPEC	WALTHAM	1	S		9,500	SODIUM								
K7	0070	002		1	9130	1992	T		S2	26766201003	000000 SCHOOL	WALTHAM	1	S		9,500	SODIUM								
K7	0070	002		2	9130	1991	T		S2	26766201003	000000 CUTTER	WALTHAM	1	S		9,500	SODIUM								
K7	0070	003		1	9130	1992	T		S2	26766201003	000000 SCHOOL	WALTHAM	1	S		9,500	SODIUM								
K7	0070	003		2	9130	1991	T		S2	26766201003	000000 CUTTER	WALTHAM	1	S		9,500	SODIUM								
K7	0070	005		1	9130	1992	T		S2	26766201003	000000 SCHOOL	WALTHAM	1	S		9,500	SODIUM								
K7	0070	005		2	9130	1991	T		S2	26766201003	000000 CUTTER	WALTHAM	1	S		9,500	SODIUM								
K7	0070	007		1	9130	1992	T		S2	26766201003	000000 SCHOOL	WALTHAM	1	S		9,500	SODIUM								
K7	0070	007		2	9130	1991	T		S2	26766201003	000000 CUTTER	WALTHAM	1	S		9,500	SODIUM								
K7	0070	009		1	9130	1992	T		S2	26766201003	000000 SCHOOL	WALTHAM	1	S		9,500	SODIUM								
K7	0070	009		2	9130	1991	T		S2	26766201003	000000 CUTTER	WALTHAM	1	S		9,500	SODIUM								
K7	0071	001			9130	1992	T		S2	26766201003	000000 WOODLAND	WALTHAM	1	S		9,500	SODIUM								
K7	0071	003			9130	1992	T		S2	26766201003	000000 WOODLAND	WALTHAM	1	S		9,500	SODIUM								
K7	0071	005			9130	1992	T		S2	26766201003	000000 WOODLAND	WALTHAM	1	S		9,500	SODIUM								
K7	0071	007			9130	1992	T		S2	26766201003	000000 WOODLAND	WALTHAM	1	S		9,500	SODIUM								
K7	0071	009			9130	1992	T		S2	26766201003	000000 WOODLAND	WALTHAM	1	S		9,500	SODIUM								
K7	0072	001			9130	1986	T		S2	26766201003	000000 DALE	WALTHAM	1	S		9,500	SODIUM								
K7	0072	002			0000	2012	T		S2	26766201003	000000 DALE	WALTHAM	1	D		3,562	LED								
K7	0072	003			9130	1986	T		S2	26766201003	000000 DALE	WALTHAM	1	S		9,500	SODIUM								
K7	0072	004			0000	2012	T		S2	26766201003	000000 DALE	WALTHAM	1	D		3,562	LED								
K7	0072	005		1	9130	1986	T		S2	26766201003	000000 DALE	WALTHAM	1	S		9,500	SODIUM								
K7	0072	006			9130	1987	T		S2	26766201003	000000 DALE	WALTHAM	1	S		9,500	SODIUM								
K7	0072	007			9130	1986	T		S2	26766201003	000000 DALE	WALTHAM	1	S		9,500	SODIUM								
K7	0072	008			0000	2012	T		S2	26766201003	000000 DALE	WALTHAM	1	D		3,562	LED								
K7	0072	009			9130	1986	T		S2	26766201003	000000 DALE	WALTHAM	1	S		9,500	SODIUM								
K7	0072	010			0000	2012	T		S2	26766201003	000000 DALE	WALTHAM	1	D		3,562	LED								

CODE										LOCATION			EXISTING FIXTURE TYPE					PROPOSED FIXTURE TYPE				ENERGY SAVINGS		Comments	
TD	Route	Item	F	SF	Unit	Vint	CC	SM	S2	Account	ADDRESS	CITY	Qty	FT	LT	LUMENS	FT Description	Watts	Qty	FT Description	Lumens	Watts	kW Savings		kWh Savings
K7	0072	011			9130	1986	T		S2	26766201003	000000 DALE	WALTHAM	1	S		9,500	SODIUM								
K7	0072	012			0000	2012	T		S2	26766201003	000000 DALE	WALTHAM	1	D		3,562	LED								
K7	0072	013			9130	1986	T		S2	26766201003	000000 DALE	WALTHAM	1	S		9,500	SODIUM								
K7	0072	014			0000	2012	T		S2	26766201003	000000 DALE	WALTHAM	1	D		3,562	LED								
K7	0072	015			9130	1986	T		S2	26766201003	000000 DALE	WALTHAM	1	S		9,500	SODIUM								
K7	0072	016			0000	2012	T		S2	26766201003	000000 DALE	WALTHAM	1	D		3,562	LED								
K7	0072	017			9130	1986	T		S2	26766201003	000000 DALE	WALTHAM	1	S		9,500	SODIUM								
K7	0072	018			9130	1986	T		S2	26766201003	000000 DALE	WALTHAM	1	S		9,500	SODIUM								
K7	0072	019			9130	1987	T		S2	26766201003	000000 DALE	WALTHAM	1	S		9,500	SODIUM								
K7	0072	020		1	9130	1991	T		S2	26766201003	000000 DALE	WALTHAM	1	S		9,500	SODIUM								
K7	0072	020		2	9130	1986	T		S2	26766201003	000000 DALE	WALTHAM	1	S		9,500	SODIUM								
K7	0072	021			9130	1986	T		S2	26766201003	000000 DALE	WALTHAM	1	S		9,500	SODIUM								
K7	0072	023			9130	1986	T		S2	26766201003	000000 DALE	WALTHAM	1	S		9,500	SODIUM								
K7	0072	025			9130	1986	T		S2	26766201003	000000 DALE	WALTHAM	1	S		9,500	SODIUM								
K7	0072	026			9130	1986	T		S2	26766201003	000000 DALE	WALTHAM	1	S		9,500	SODIUM								
K7	0072	028			9130	1986	T		S2	26766201003	000000 DALE	WALTHAM	1	S		9,500	SODIUM								
K7	0072	029			9130	1986	T		S2	26766201003	000000 DALE	WALTHAM	1	S		9,500	SODIUM								
K7	0072	031			9130	1986	T		S2	26766201003	000000 DALE	WALTHAM	1	S		9,500	SODIUM								
K7	0072	033			9130	1986	T		S2	26766201003	000000 DALE	WALTHAM	1	S		9,500	SODIUM								
K7	0072	034			9130	1986	T		S2	26766201003	000000 DALE	WALTHAM	1	S		9,500	SODIUM								
K7	0072	036			9130	1986	T		S2	26766201003	000000 DALE	WALTHAM	1	S		9,500	SODIUM								
K7	0073	002			9130	1991	T		S2	26766201003	000000 JOY	WALTHAM	1	S		9,500	SODIUM								
K7	0074	002			0000	2012	T		S2	26766201003	000000 STRATTON	WALTHAM	1	D		1,688	LED								
K7	0075	001			9130	1991	T		S2	26766201003	000000 DAY	WALTHAM	1	S		9,500	SODIUM								
K7	0075	002			9130	1992	T		S2	26766201003	000000 DAY	WALTHAM	1	S		9,500	SODIUM								
K7	0076	002			9130	1991	T		S2	26766201003	000000 CUTTING	WALTHAM	1	S		9,500	SODIUM								
K7	0076	007			9130	1991	T		S2	26766201003	000000 PINE	WALTHAM	1	S		9,500	SODIUM								
K7	0076	009			9130	1991	T		S2	26766201003	000000 PINE	WALTHAM	1	S		9,500	SODIUM								
K7	0076	011			9130	1991	T		S2	26766201003	000000 PINE	WALTHAM	1	S		9,500	SODIUM								
K7	0076	012			9130	1991	T		S2	26766201003	000000 PINE	WALTHAM	1	S		9,500	SODIUM								
K7	0077	001			9130	1990	T		S2	26766201003	000000 DERBY	WALTHAM	1	S		9,500	SODIUM								
K7	0077	002			9130	1990	T		S2	26766201003	000000 DERBY	WALTHAM	1	S		9,500	SODIUM								
K7	0077	003			9130	1990	T		S2	26766201003	000000 DERBY	WALTHAM	1	S		9,500	SODIUM								
K7	0077	004			9130	1990	T		S2	26766201003	000000 DERBY	WALTHAM	1	S		9,500	SODIUM								
K7	0077	005			9130	1990	T		S2	26766201003	000000 DERBY	WALTHAM	1	S		9,500	SODIUM								
K7	0077	006			9130	1990	T		S2	26766201003	000000 DERBY	WALTHAM	1	S		9,500	SODIUM								
K7	0077	007			9130	1990	T		S2	26766201003	000000 DERBY	WALTHAM	1	S		9,500	SODIUM								
K7	0077	008			9130	1990	T		S2	26766201003	000000 DERBY	WALTHAM	1	S		9,500	SODIUM								
K7	0078	002			9130	1991	T		S2	26766201003	000000 DEXTER	WALTHAM	1	S		9,500	SODIUM								
K7	0078	004		1	9130	1991	T		S2	26766201003	000000 DEXTER	WALTHAM	1	S		9,500	SODIUM								
K7	0078	004		2	9130	1986	T		S2	26766201003	000000 RUMFORD	WALTHAM	1	S		4,000	SODIUM								
K7	0078	005			9130	1991	T		S2	26766201003	000000 DEXTER	WALTHAM	1	S		9,500	SODIUM								
K7	0078	007			9130	1991	T		S2	26766201003	000000 DEXTER	WALTHAM	1	S		9,500	SODIUM								
K7	0079	002			9130	1991	T		S2	26766201003	000000 DORCHESTER	WALTHAM	1	S		9,500	SODIUM								
K7	0079	004			9130	1994	T		S2	26766201003	000000 DORCHESTER	WALTHAM	1	S		9,500	SODIUM								
K7	0079	005			9130	1991	T		S2	26766201003	000000 DORCHESTER	WALTHAM	1	S		9,500	SODIUM								
K7	0079	006			9130	1991	T		S2	26766201003	000000 DORCHESTER	WALTHAM	1	S		9,500	SODIUM								
K7	0080	001			9130	1988	T		S2	26766201003	000000 LYMAN	WALTHAM	1	S		9,500	SODIUM								
K7	0080	003			9130	1988	T		S2	26766201003	000000 LYMAN	WALTHAM	1	S		9,500	SODIUM								
K7	0082	001			9130	1991	T		S2	26766201003	000000 CHESTER BROOK	WALTHAM	1	S		9,500	SODIUM								

CODE										LOCATION			EXISTING FIXTURE TYPE					PROPOSED FIXTURE TYPE				ENERGY SAVINGS		Comments
TD	Route	Item	F	SF	Unit	Vint	CC	SM	S2	Account	ADDRESS	CITY	Qty	FT	LT	LUMENS	FT Description	Watts	Qty	FT Description	Lumens	Watts	kW Savings	
K7	0082	002			9130	1994	T		S2	26766201003	000000 LORD	WALTHAM	1	S		9,500	SODIUM							
K7	0082	004			9130	1991	T		S2	26766201003	000000 CHESTER BROOK	WALTHAM	1	S		9,500	SODIUM							
K7	0082	006			9130	1991	T		S2	26766201003	000000 CHESTER BROOK	WALTHAM	1	S		9,500	SODIUM							
K7	0083	002			9130	1989	T		S2	26766201003	000000 GALEN	WALTHAM	1	S		9,500	SODIUM							
K7	0083	003			9130	1989	T		S2	26766201003	000000 GALEN	WALTHAM	1	S		9,500	SODIUM							
K7	0083	005			9130	1989	T		S2	26766201003	000000 GALEN	WALTHAM	1	S		9,500	SODIUM							
K7	0083	007			9130	1989	T		S2	26766201003	000000 GALEN	WALTHAM	1	S		9,500	SODIUM							
K7	0083	009			9130	1989	T		S2	26766201003	000000 GALEN	WALTHAM	1	S		9,500	SODIUM							
K7	0083	011			9130	1997	T		S2	26766201003	000000 GALEN	WALTHAM	1	S		9,500	SODIUM							
K7	0084	002			9130	1991	T		S2	26766201003	000000 ELLISON	WALTHAM	1	S		9,500	SODIUM							
K7	0084	004			9130	1991	T		S2	26766201003	000000 ELLISON	WALTHAM	1	S		9,500	SODIUM							
K7	0084	006			9130	1991	T		S2	26766201003	000000 ELLISON	WALTHAM	1	S		9,500	SODIUM							
K7	0084	008			9130	1991	T		S2	26766201003	000000 ELLISON	WALTHAM	1	S		9,500	SODIUM							
K7	0084	010			9130	1991	T		S2	26766201003	000000 ELLISON	WALTHAM	1	S		9,500	SODIUM							
K7	0084	011			9130	1991	T		S2	26766201003	000000 ELLISON	WALTHAM	1	S		9,500	SODIUM							
K7	0084	013			9130	1991	T		S2	26766201003	000000 ELLISON	WALTHAM	1	S		9,500	SODIUM							
K7	0084	019			9130	1991	T		S2	26766201003	000000 ELLISON	WALTHAM	1	S		9,500	SODIUM							
K7	0084	021			9130	1991	T		S2	26766201003	000000 ELLISON	WALTHAM	1	S		9,500	SODIUM							
K7	0085	001			9130	1992	T		S2	26766201003	000000 WOODLAWN	WALTHAM	1	S		9,500	SODIUM							
K7	0085	003			9130	1992	T		S2	26766201003	000000 WOODLAWN	WALTHAM	1	S		9,500	SODIUM							
K7	0086	002			9130	1991	T		S2	26766201003	000000 DEXTER	WALTHAM	1	S		9,500	SODIUM							
K7	0087	001			9130	1991	T		S2	26766201003	000000 BRADFORD	WALTHAM	1	S		9,500	SODIUM							
K7	0087	003			9130	1991	T		S2	26766201003	000000 BRADFORD	WALTHAM	1	S		9,500	SODIUM							
K7	0087	004			9130	1997	T		S2	26766201003	000000 BRADFORD	WALTHAM	1	S		9,500	SODIUM							
K7	0088	001			9130	1986	T		S2	26766201003	000000 ELSON	WALTHAM	1	S		4,000	SODIUM							
K7	0088	002			9130	1986	T		S2	26766201003	000000 ELSON	WALTHAM	1	S		4,000	SODIUM							
K7	0088	003			9130	1986	T		S2	26766201003	000000 ELSON	WALTHAM	1	S		4,000	SODIUM							
K7	0088	005			9130	1986	T		S2	26766201003	000000 ELSON	WALTHAM	1	S		4,000	SODIUM							
K7	0088	006			9130	1986	T		S2	26766201003	000000 ELSON	WALTHAM	1	S		4,000	SODIUM							
K7	0088	008			9130	1986	T		S2	26766201003	000000 ELSON	WALTHAM	1	S		4,000	SODIUM							
K7	0088	010			9130	1986	T		S2	26766201003	000000 ELSON	WALTHAM	1	S		4,000	SODIUM							
K7	0088	012			9130	1985	T		S2	26766201003	000000 ELSON	WALTHAM	1	S		16,000	SODIUM							
K7	0088	013			9130	1986	T		S2	26766201003	000000 ELSON	WALTHAM	1	S		4,000	SODIUM							
K7	0089	001			9130	1988	T		S2	26766201003	000000 EXCHANGE	WALTHAM	1	S		9,500	SODIUM							
K7	0089	002			9130	1988	T		S2	26766201003	000000 EXCHANGE	WALTHAM	1	S		9,500	SODIUM							
K7	0089	003			9130	1988	T		S2	26766201003	000000 EXCHANGE	WALTHAM	1	S		9,500	SODIUM							
K7	0089	004			9130	1988	T		S2	26766201003	000000 EXCHANGE	WALTHAM	1	S		9,500	SODIUM							
K7	0089	005			9130	1988	T		S2	26766201003	000000 EXCHANGE	WALTHAM	1	S		9,500	SODIUM							
K7	0089	006			9130	1988	T		S2	26766201003	000000 EXCHANGE	WALTHAM	1	S		9,500	SODIUM							
K7	0089	007			9130	1988	T		S2	26766201003	000000 EXCHANGE	WALTHAM	1	S		9,500	SODIUM							
K7	0089	008			9130	1996	T		S2	26766201003	000000 EXCHANGE	WALTHAM	1	S		9,500	SODIUM							
K7	0089	009			9130	1988	T		S2	26766201003	000000 EXCHANGE	WALTHAM	1	S		9,500	SODIUM							
K7	0089	010			9130	1988	T		S2	26766201003	000000 EXCHANGE	WALTHAM	1	S		9,500	SODIUM							
K7	0090	002			9130	1995	T		S2	26766201003	000000 FOREST GROVE	WALTHAM	1	S		9,500	SODIUM							
K7	0090	006			9130	1988	T		S2	26766201003	000000 FOREST GROVE	WALTHAM	1	S		16,000	SODIUM							
K7	0090	009		1	9130	1985	T		S2	26766201003	000000 FOREST GROVE	WALTHAM	1	S		25,000	SODIUM							
K7	0090	009		2	9130	1978	T		S2	26766201003	000000 FOREST GROVE	WALTHAM	1	S		25,000	SODIUM							
K7	0091	001			0000	2012	T		S2	26766201003	000000 NAVIENS	WALTHAM	1	D		1,688	LED							
K7	0092	002			9130	1991	T		S2	26766201003	000000 BELLEVUE	WALTHAM	1	S		9,500	SODIUM							
K7	0092	003			9130	1991	T		S2	26766201003	000000 BELLEVUE	WALTHAM	1	S		9,500	SODIUM							

CODE										LOCATION			EXISTING FIXTURE TYPE					PROPOSED FIXTURE TYPE				ENERGY SAVINGS		Comments	
TD	Route	Item	F	SF	Unit	Vint	CC	SM	S2	Account	ADDRESS	CITY	Qty	FT	LT	LUMENS	FT Description	Watts	Qty	FT Description	Lumens	Watts	kW Savings		kWh Savings
K7	0093	001			9130	1992	T		S2	26766201003	000000 WAYERLEY	WALTHAM	1	S		9,500	SODIUM								
K7	0093	002			9130	1991	T		S2	26766201003	000000 FIR	WALTHAM	1	S		9,500	SODIUM								
K7	0093	003			9130	1992	T		S2	26766201003	000000 WAYERLEY	WALTHAM	1	S		9,500	SODIUM								
K7	0093	004			9130	1991	T		S2	26766201003	000000 FIR	WALTHAM	1	S		9,500	SODIUM								
K7	0094	001			9130	1991	T		S2	26766201003	000000 EXCHANGE	WALTHAM	1	S		9,500	SODIUM								
K7	0094	002			9130	1991	T		S2	26766201003	000000 EXCHANGE	WALTHAM	1	S		9,500	SODIUM								
K7	0096	001			0000	2012	T		S2	26766201003	000000 NORUMBEGA	WALTHAM	1	D		1,688	LED								
K7	0096	003			0000	2012	T		S2	26766201003	000000 NORUMBEGA	WALTHAM	1	D		1,688	LED								
K7	0097	002			9130	1991	T		S2	26766201003	000000 FAIRMOUNT	WALTHAM	1	S		9,500	SODIUM								
K7	0097	004			9130	1991	T		S2	26766201003	000000 FAIRMOUNT	WALTHAM	1	S		9,500	SODIUM								
K7	0097	005			9130	1991	T		S2	26766201003	000000 FAIRMOUNT	WALTHAM	1	S		9,500	SODIUM								
K7	0097	008			9130	1991	T		S2	26766201003	000000 FAIRMOUNT	WALTHAM	1	S		9,500	SODIUM								
K7	0097	010			9130	1991	T		S2	26766201003	000000 FAIRMOUNT	WALTHAM	1	S		9,500	SODIUM								
K7	0098	001			9130	1991	T		S2	26766201003	000000 FARNSWORTH	WALTHAM	1	S		9,500	SODIUM								
K7	0098	002			9130	1991	T		S2	26766201003	000000 FARNSWORTH	WALTHAM	1	S		9,500	SODIUM								
K7	0098	003			9130	1991	T		S2	26766201003	000000 FARNSWORTH	WALTHAM	1	S		9,500	SODIUM								
K7	0098	004			9130	1991	T		S2	26766201003	000000 FARNSWORTH	WALTHAM	1	S		9,500	SODIUM								
K7	0098	006			9130	1991	T		S2	26766201003	000000 FARNSWORTH	WALTHAM	1	S		9,500	SODIUM								
K7	0099	002			9130	1988	T		S2	26766201003	000000 FARWELL	WALTHAM	1	S		16,000	SODIUM								
K7	0099	004		1	9130	1991	T		S2	26766201003	000000 FOUNTAIN	WALTHAM	1	S		9,500	SODIUM								
K7	0099	004		2	9130	1988	T		S2	26766201003	000000 FARWELL	WALTHAM	1	S		16,000	SODIUM								
K7	0099	005			9130	1988	T		S2	26766201003	000000 FARWELL	WALTHAM	1	S		16,000	SODIUM								
K7	0099	007			9130	1988	T		S2	26766201003	000000 FARWELL	WALTHAM	1	S		16,000	SODIUM								
K7	0100	001			9130	1992	T		S2	26766201003	000000 FELTON	WALTHAM	1	S		16,000	SODIUM								
K7	0100	002			9130	1992	T		S2	26766201003	000000 FELTON	WALTHAM	1	S		16,000	SODIUM								
K7	0100	003			9130	1992	T		S2	26766201003	000000 FELTON	WALTHAM	1	S		16,000	SODIUM								
K7	0100	004			9130	1992	T		S2	26766201003	000000 FELTON	WALTHAM	1	S		16,000	SODIUM								
K7	0100	006			9130	1992	T		S2	26766201003	000000 FELTON	WALTHAM	1	S		16,000	SODIUM								
K7	0100	008			9130	1992	T		S2	26766201003	000000 FELTON	WALTHAM	1	S		16,000	SODIUM								
K7	0100	009			9130	1992	T		S2	26766201003	000000 FELTON	WALTHAM	1	S		16,000	SODIUM								
K7	0100	010			9130	1992	T		S2	26766201003	000000 FELTON	WALTHAM	1	S		16,000	SODIUM								
K7	0100	011			9130	1992	T		S2	26766201003	000000 FELTON	WALTHAM	1	S		16,000	SODIUM								
K7	0100	012			9130	1992	T		S2	26766201003	000000 FELTON	WALTHAM	1	S		16,000	SODIUM								
K7	0100	013			9130	1992	T		S2	26766201003	000103 FELTON	WALTHAM	1	S		16,000	SODIUM								
K7	0100	014			9130	1992	T		S2	26766201003	000000 FELTON	WALTHAM	1	S		16,000	SODIUM								
K7	0100	015			9130	1992	T		S2	26766201003	000000 FELTON	WALTHAM	1	S		16,000	SODIUM								
K7	0100	016			9130	1992	T		S2	26766201003	000000 FELTON	WALTHAM	1	S		16,000	SODIUM								
K7	0100	017			9130	1992	T		S2	26766201003	000000 FELTON	WALTHAM	1	S		16,000	SODIUM								
K7	0100	018			9130	1992	T		S2	26766201003	000000 FELTON	WALTHAM	1	S		16,000	SODIUM								
K7	0100	019			9130	1992	T		S2	26766201003	000000 FELTON	WALTHAM	1	S		16,000	SODIUM								
K7	0100	020			9130	1992	T		S2	26766201003	000000 FELTON	WALTHAM	1	S		16,000	SODIUM								
K7	0100	021			9130	1992	T		S2	26766201003	000000 FELTON	WALTHAM	1	S		16,000	SODIUM								
K7	0101	002			0000	2012	T		S2	26766201003	000000 LAWNSDALE	WALTHAM	1	D		1,688	LED								
K7	0101	003			0000	2012	T		S2	26766201003	000000 LAWNSDALE	WALTHAM	1	D		1,688	LED								
K7	0102	002			9130	1986	T		S2	26766201003	000000 COLUMBUS	WALTHAM	1	S		16,000	SODIUM								
K7	0102	003			9130	1987	T		S2	26766201003	000000 COLUMBUS	WALTHAM	1	S		9,500	SODIUM								
K7	0102	005			9130	1986	T		S2	26766201003	000000 COLUMBUS	WALTHAM	1	S		16,000	SODIUM								
K7	0102	007			9130	1986	T		S2	26766201003	000000 COLUMBUS	WALTHAM	1	S		16,000	SODIUM								
K7	0102	011			9130	1986	T		S2	26766201003	000000 COLUMBUS	WALTHAM	1	S		16,000	SODIUM								
K7	0103	001			9130	1991	T		S2	26766201003	000000 FISKE	WALTHAM	1	S		9,500	SODIUM								

CODE										LOCATION			EXISTING FIXTURE TYPE					PROPOSED FIXTURE TYPE				ENERGY SAVINGS		Comments	
TD	Route	Item	F	SF	Unit	Vint	CC	SM	S2	Account	ADDRESS	CITY	Qty	FT	LT	LUMENS	FT Description	Watts	Qty	FT Description	Lumens	Watts	kW Savings		kWh Savings
K7	0103	002			9130	1991	T		S2	26766201003	000000 FISKE	WALTHAM	1	S		9,500	SODIUM								
K7	0103	004			9130	1991	T		S2	26766201003	000000 FISKE	WALTHAM	1	S		9,500	SODIUM								
K7	0103	006			9130	1991	T		S2	26766201003	000000 FISKE	WALTHAM	1	S		9,500	SODIUM								
K7	0103	009			9130	1991	T		S2	26766201003	000000 FISKE	WALTHAM	1	S		9,500	SODIUM								
K7	0103	010			9130	1991	T		S2	26766201003	000000 FISKE	WALTHAM	1	S		9,500	SODIUM								
K7	0103	012			9130	1991	T		S2	26766201003	000000 FISKE	WALTHAM	1	S		9,500	SODIUM								
K7	0104	001			9130	1989	T		S2	26766201003	000000 FISKE	WALTHAM	1	S		9,500	SODIUM								
K7	0104	002			9130	1989	T		S2	26766201003	000000 FISKE	WALTHAM	1	S		9,500	SODIUM								
K7	0104	003			9130	1989	T		S2	26766201003	000000 FISKE	WALTHAM	1	S		9,500	SODIUM								
K7	0104	006			9130	1989	T		S2	26766201003	000000 FISKE	WALTHAM	1	S		9,500	SODIUM								
K7	0104	007			9130	1989	T		S2	26766201003	000000 FISKE	WALTHAM	1	S		9,500	SODIUM								
K7	0104	008			9130	1990	T		S2	26766201003	000000 FISKE	WALTHAM	1	S		9,500	SODIUM								
K7	0104	009			9130	1989	T		S2	26766201003	000000 FISKE	WALTHAM	1	S		9,500	SODIUM								
K7	0104	010			9130	1989	T		S2	26766201003	000000 FISKE	WALTHAM	1	S		9,500	SODIUM								
K7	0104	011			9130	1989	T		S2	26766201003	000000 FISKE	WALTHAM	1	S		9,500	SODIUM								
K7	0105	002			9130	1989	T		S2	26766201003	000000 BOW	WALTHAM	1	S		4,000	SODIUM								
K7	0106	001			9130	1987	T		S2	26766201003	000000 FLOYD	WALTHAM	1	S		9,500	SODIUM								
K7	0106	003			9130	1987	T		S2	26766201003	000000 FLOYD	WALTHAM	1	S		9,500	SODIUM								
K7	0106	005			9130	1987	T		S2	26766201003	000000 FLOYD	WALTHAM	1	S		9,500	SODIUM								
K7	0107	002			9130	1991	T		S2	26766201003	000000 MULDOONS	WALTHAM	1	S		9,500	SODIUM								
K7	0107	004			9130	1991	T		S2	26766201003	000000 MULDOONS	WALTHAM	1	S		9,500	SODIUM								
K7	0108	001			9130	1986	T		S2	26766201003	000000 FOREST	WALTHAM	1	S		9,500	SODIUM								
K7	0108	003			9130	1986	T		S2	26766201003	000000 FOREST	WALTHAM	1	S		9,500	SODIUM								
K7	0108	005			9130	1986	T		S2	26766201003	000000 FOREST	WALTHAM	1	S		9,500	SODIUM								
K7	0108	007			9130	1986	T		S2	26766201003	000000 FOREST	WALTHAM	1	S		9,500	SODIUM								
K7	0108	008			9130	1987	T		S2	26766201003	000000 FOREST	WALTHAM	1	S		16,000	SODIUM								
K7	0108	010			9130	1986	T		S2	26766201003	000000 FOREST	WALTHAM	1	S		9,500	SODIUM								
K7	0108	012			9130	1986	T		S2	26766201003	000000 FOREST	WALTHAM	1	S		9,500	SODIUM								
K7	0108	014			9130	1986	T		S2	26766201003	000000 FOREST	WALTHAM	1	S		9,500	SODIUM								
K7	0108	016			9130	1986	T		S2	26766201003	000000 FOREST	WALTHAM	1	S		9,500	SODIUM								
K7	0108	018			9130	1986	T		S2	26766201003	000000 FOREST	WALTHAM	1	S		9,500	SODIUM								
K7	0108	020			9130	1986	T		S2	26766201003	000000 FOREST	WALTHAM	1	S		9,500	SODIUM								
K7	0108	022			9130	1986	T		S2	26766201003	000000 FOREST	WALTHAM	1	S		9,500	SODIUM								
K7	0108	025			9130	1986	T		S2	26766201003	000000 FOREST	WALTHAM	1	S		9,500	SODIUM								
K7	0108	028			9130	1986	T		S2	26766201003	000000 FOREST	WALTHAM	1	S		9,500	SODIUM								
K7	0108	030			9130	1986	T		S2	26766201003	000000 FOREST	WALTHAM	1	S		9,500	SODIUM								
K7	0108	032			9130	1986	T		S2	26766201003	000000 FOREST	WALTHAM	1	S		9,500	SODIUM								
K7	0108	034			9130	1986	T		S2	26766201003	000000 FOREST	WALTHAM	1	S		9,500	SODIUM								
K7	0108	035			9130	1986	T		S2	26766201003	000000 FOREST	WALTHAM	1	S		9,500	SODIUM								
K7	0108	038			9130	1986	T		S2	26766201003	000000 FOREST	WALTHAM	1	S		9,500	SODIUM								
K7	0108	040			9130	1986	T		S2	26766201003	000000 FOREST	WALTHAM	1	S		9,500	SODIUM								
K7	0108	042			9130	1986	T		S2	26766201003	000000 FOREST	WALTHAM	1	S		9,500	SODIUM								
K7	0108	045			9130	1986	T		S2	26766201003	000000 FOREST	WALTHAM	1	S		9,500	SODIUM								
K7	0108	047			9130	1986	T		S2	26766201003	000000 FOREST	WALTHAM	1	S		9,500	SODIUM								
K7	0108	050			9130	1986	T		S2	26766201003	000000 FOREST	WALTHAM	1	S		9,500	SODIUM								
K7	0108	051			9130	1986	T		S2	26766201003	000000 FOREST	WALTHAM	1	S		9,500	SODIUM								
K7	0109	002			9130	1990	T		S2	26766201003	000000 VILLA	WALTHAM	1	S		9,500	SODIUM								
K7	0109	003			9130	1988	T		S2	26766201003	000000 FOUNDRY	WALTHAM	1	S		9,500	SODIUM								
K7	0109	004		1	9130	1990	T		S2	26766201003	000000 VILLA	WALTHAM	1	S		9,500	SODIUM								
K7	0109	004		2	9130	1992	T		S2	26766201003	000000 FOUNDRY	WALTHAM	1	S		9,500	SODIUM								

CODE										LOCATION			EXISTING FIXTURE TYPE					PROPOSED FIXTURE TYPE				ENERGY SAVINGS		Comments	
TD	Route	Item	F	SF	Unit	Vint	CC	SM	S2	Account	ADDRESS	CITY	Qty	FT	LT	LUMENS	FT Description	Watts	Qty	FT Description	Lumens	Watts	kW Savings		kWh Savings
K7	0109	005			9130	1988	T		S2	26766201003	000000 FOUNDRY	WALTHAM	1	S		9,500	SODIUM								
K7	0109	006			9130	1990	T		S2	26766201003	000000 VILLA	WALTHAM	1	S		9,500	SODIUM								
K7	0109	008			9130	1990	T		S2	26766201003	000000 VILLA	WALTHAM	1	S		9,500	SODIUM								
K7	0109	010			9130	1990	T		S2	26766201003	000000 VILLA	WALTHAM	1	S		9,500	SODIUM								
K7	0109	012			9130	1990	T		S2	26766201003	000000 VILLA	WALTHAM	1	S		9,500	SODIUM								
K7	0109	013			9130	1990	T		S2	26766201003	000000 VILLA	WALTHAM	1	S		9,500	SODIUM								
K7	0109	015			9130	1990	T		S2	26766201003	000000 VILLA	WALTHAM	1	S		9,500	SODIUM								
K7	0109	017			9130	1990	T		S2	26766201003	000000 VILLA	WALTHAM	1	S		9,500	SODIUM								
K7	0109	020			9130	1990	T		S2	26766201003	000000 VILLA	WALTHAM	1	S		9,500	SODIUM								
K7	0109	022			9130	1990	T		S2	26766201003	000000 VILLA	WALTHAM	1	S		9,500	SODIUM								
K7	0109	023			9130	1990	T		S2	26766201003	000000 VILLA	WALTHAM	1	S		9,500	SODIUM								
K7	0110	002			9130	1991	T		S2	26766201003	000000 FOUNTAIN	WALTHAM	1	S		9,500	SODIUM								
K7	0110	003			9130	1991	T		S2	26766201003	000000 FOUNTAIN	WALTHAM	1	S		9,500	SODIUM								
K7	0110	004			9130	1989	T		S2	26766201003	000000 FRIEND	WALTHAM	1	S		9,500	SODIUM								
K7	0111	001			0000	2012	T		S2	26766201003	000000 FRANCIS	WALTHAM	1	D		3,562	LED								
K7	0111	002			0000	2012	T		S2	26766201003	000000 FRANCIS	WALTHAM	1	D		3,562	LED								
K7	0111	003			0000	2012	T		S2	26766201003	000000 FRANCIS	WALTHAM	1	D		3,562	LED								
K7	0111	005			0000	2012	T		S2	26766201003	000000 FRANCIS	WALTHAM	1	D		3,562	LED								
K7	0111	006			0000	2012	T		S2	26766201003	000000 FRANCIS	WALTHAM	1	D		3,562	LED								
K7	0111	007			0000	2012	T		S2	26766201003	000000 FRANCIS	WALTHAM	1	D		3,562	LED								
K7	0111	008			0000	2012	T		S2	26766201003	000000 FRANCIS	WALTHAM	1	D		3,562	LED								
K7	0111	010			0000	2012	T		S2	26766201003	000000 FRANCIS	WALTHAM	1	D		3,562	LED								
K7	0111	012			0000	2012	T		S2	26766201003	000000 FRANCIS	WALTHAM	1	D		3,562	LED								
K7	0112	002			9130	1991	T		S2	26766201003	000000 EDGE HILL	WALTHAM	1	S		9,500	SODIUM								
K7	0112	004			9130	1991	T		S2	26766201003	000000 EDGE HILL	WALTHAM	1	S		9,500	SODIUM								
K7	0112	007			9130	1991	T		S2	26766201003	000000 EDGE HILL	WALTHAM	1	S		9,500	SODIUM								
K7	0113	002			9130	1991	T		S2	26766201003	000000 FERN	WALTHAM	1	S		9,500	SODIUM								
K7	0113	003			9130	1991	T		S2	26766201003	000000 FERN	WALTHAM	1	S		9,500	SODIUM								
K7	0113	005			9130	1991	T		S2	26766201003	000000 OVERLAND	WALTHAM	1	S		9,500	SODIUM								
K7	0113	007			9130	1991	T		S2	26766201003	000000 OVERLAND	WALTHAM	1	S		9,500	SODIUM								
K7	0113	009			9130	1991	T		S2	26766201003	000000 OVERLAND	WALTHAM	1	S		9,500	SODIUM								
K7	0113	011			9130	1991	T		S2	26766201003	000000 OVERLAND	WALTHAM	1	S		9,500	SODIUM								
K7	0113	013			9130	1991	T		S2	26766201003	000000 OVERLAND	WALTHAM	1	S		9,500	SODIUM								
K7	0114	001			9130	1991	T		S2	26766201003	000000 IRVING	WALTHAM	1	S		9,500	SODIUM								
K7	0114	003			9130	1991	T		S2	26766201003	000000 IRVING	WALTHAM	1	S		9,500	SODIUM								
K7	0114	006			9130	1991	T		S2	26766201003	000000 IRVING	WALTHAM	1	S		9,500	SODIUM								
K7	0114	008			9130	1991	T		S2	26766201003	000000 IRVING	WALTHAM	1	S		9,500	SODIUM								
K7	0114	010			9130	1991	T		S2	26766201003	000000 IRVING	WALTHAM	1	S		9,500	SODIUM								
K7	0114	011			9130	1991	T		S2	26766201003	000000 IRVING	WALTHAM	1	S		9,500	SODIUM								
K7	0115	001			9130	1991	T		S2	26766201003	000000 HOVEY	WALTHAM	1	S		9,500	SODIUM								
K7	0115	003			9130	1991	T		S2	26766201003	000000 HOVEY	WALTHAM	1	S		9,500	SODIUM								
K7	0116	003			9130	1991	T		S2	26766201003	000000 GARDNER	WALTHAM	1	S		9,500	SODIUM								
K7	0116	007			9130	1991	T		S2	26766201003	000000 GARDNER	WALTHAM	1	S		9,500	SODIUM								
K7	0116	009			9130	1991	T		S2	26766201003	000000 GARDNER	WALTHAM	1	S		9,500	SODIUM								
K7	0116	011			9130	1991	T		S2	26766201003	000000 GARDNER	WALTHAM	1	S		9,500	SODIUM								
K7	0116	012			9130	1991	T		S2	26766201003	000000 GARDNER	WALTHAM	1	S		9,500	SODIUM								
K7	0117	001			9130	1992	T		S2	26766201003	000000 WOBURN	WALTHAM	1	S		9,500	SODIUM								
K7	0117	003			9130	1992	T		S2	26766201003	000000 WOBURN	WALTHAM	1	S		9,500	SODIUM								
K7	0117	005			9130	1992	T		S2	26766201003	000000 WOBURN	WALTHAM	1	S		9,500	SODIUM								
K7	0117	007			9130	1992	T		S2	26766201003	000000 WOBURN	WALTHAM	1	S		9,500	SODIUM								

CODE										LOCATION			EXISTING FIXTURE TYPE					PROPOSED FIXTURE TYPE				ENERGY SAVINGS		Comments	
TD	Route	Item	F	SF	Unit	Vint	CC	SM	S2	Account	ADDRESS	CITY	Qty	FT	LT	LUMENS	FT Description	Watts	Qty	FT Description	Lumens	Watts	kW Savings		kWh Savings
K7	0117	011			9130	1992	T		S2	26766201003	000000 WOBURN	WALTHAM	1	S		9,500	SODIUM								
K7	0118	003			9130	1991	T		S2	26766201003	000000 GILBERT	WALTHAM	1	S		9,500	SODIUM								
K7	0118	004			9130	1991	T		S2	26766201003	000000 GILBERT	WALTHAM	1	S		9,500	SODIUM								
K7	0118	006			9130	1991	T		S2	26766201003	000000 GILBERT	WALTHAM	1	S		9,500	SODIUM								
K7	0118	008			9130	1991	T		S2	26766201003	000000 GILBERT	WALTHAM	1	S		9,500	SODIUM								
K7	0119	001			9130	1989	T		S2	26766201003	000000 GILL	WALTHAM	1	S		9,500	SODIUM								
K7	0119	002			9130	1991	T		S2	26766201003	000000 EMERY	WALTHAM	1	S		9,500	SODIUM								
K7	0119	003			9130	1989	T		S2	26766201003	000000 GILL	WALTHAM	1	S		9,500	SODIUM								
K7	0120	001			9130	1992	T		S2	26766201003	000000 RANDALL	WALTHAM	1	S		9,500	SODIUM								
K7	0120	002			9130	1991	T		S2	26766201003	000000 GORDON	WALTHAM	1	S		9,500	SODIUM								
K7	0120	004			9130	1991	T		S2	26766201003	000000 GORDON	WALTHAM	1	S		9,500	SODIUM								
K7	0120	005			9130	1991	T		S2	26766201003	000000 GORDON	WALTHAM	1	S		9,500	SODIUM								
K7	0120	007			9130	1991	T		S2	26766201003	000000 GORDON	WALTHAM	1	S		9,500	SODIUM								
K7	0121	001		1	9130	1991	T		S2	26766201003	000000 GORE	WALTHAM	1	S		9,500	SODIUM								
K7	0121	001		2	9130	1991	T		S2	26766201003	000000 CURTIS	WALTHAM	1	S		9,500	SODIUM								
K7	0121	002			9130	1991	T		S2	26766201003	000000 GORE	WALTHAM	1	S		9,500	SODIUM								
K7	0121	003		1	9130	1991	T		S2	26766201003	000000 GORE	WALTHAM	1	S		9,500	SODIUM								
K7	0121	003		2	9130	1991	T		S2	26766201003	000000 CURTIS	WALTHAM	1	S		9,500	SODIUM								
K7	0121	004		1	9130	1991	T		S2	26766201003	000000 GORE	WALTHAM	1	S		9,500	SODIUM								
K7	0121	004		2	9130	1991	T		S2	26766201003	000000 CURTIS	WALTHAM	1	S		9,500	SODIUM								
K7	0121	005		1	9130	1991	T		S2	26766201003	000000 GORE	WALTHAM	1	S		9,500	SODIUM								
K7	0121	005		2	9130	1959	T		S2	26766201003	000000 CURTIS	WALTHAM	1	S		9,500	SODIUM								
K7	0121	006			9130	1991	T		S2	26766201003	000000 CURTIS	WALTHAM	1	S		9,500	SODIUM								
K7	0121	007		1	9130	1991	T		S2	26766201003	000000 GORE	WALTHAM	1	S		9,500	SODIUM								
K7	0121	007		2	9130	1991	T		S2	26766201003	000000 CURTIS	WALTHAM	1	S		9,500	SODIUM								
K7	0121	009			9130	1991	T		S2	26766201003	000000 GORE	WALTHAM	1	S		9,500	SODIUM								
K7	0121	011			9130	1991	T		S2	26766201003	000000 GORE	WALTHAM	1	S		9,500	SODIUM								
K7	0122	001			9130	1988	T		S2	26766201003	000000 TAVERN	WALTHAM	1	S		16,000	SODIUM								
K7	0122	003			9130	1988	T		S2	26766201003	000000 TAVERN	WALTHAM	1	S		16,000	SODIUM								
K7	0123	001			9130	1991	T		S2	26766201003	000000 BELLEVUE	WALTHAM	1	S		9,500	SODIUM								
K7	0124	003			9130	1991	T		S2	26766201003	000000 GRANT	WALTHAM	1	S		9,500	SODIUM								
K7	0124	004			9130	1991	T		S2	26766201003	000000 GRANT	WALTHAM	1	S		9,500	SODIUM								
K7	0124	007			9130	1991	T		S2	26766201003	000000 GRANT	WALTHAM	1	S		9,500	SODIUM								
K7	0124	008			9130	1991	T		S2	26766201003	000000 GRANT	WALTHAM	1	S		9,500	SODIUM								
K7	0124	009			9130	1991	T		S2	26766201003	000000 GRANT	WALTHAM	1	S		9,500	SODIUM								
K7	0124	010			9130	1991	T		S2	26766201003	000000 GRANT	WALTHAM	1	S		9,500	SODIUM								
K7	0124	012			9130	1991	T		S2	26766201003	000000 GRANT	WALTHAM	1	S		9,500	SODIUM								
K7	0125	001			9130	1989	T		S2	26766201003	000000 FLORENCE	WALTHAM	1	S		9,500	SODIUM								
K7	0125	003			9130	1989	T		S2	26766201003	000000 FLORENCE	WALTHAM	1	S		9,500	SODIUM								
K7	0125	005			9130	1989	T		S2	26766201003	000000 FLORENCE	WALTHAM	1	S		9,500	SODIUM								
K7	0125	006			9130	1989	T		S2	26766201003	000000 FLORENCE	WALTHAM	1	S		9,500	SODIUM								
K7	0125	008			9130	1989	T		S2	26766201003	000000 FLORENCE	WALTHAM	1	S		9,500	SODIUM								
K7	0125	010			9130	1989	T		S2	26766201003	000000 FLORENCE	WALTHAM	1	S		9,500	SODIUM								
K7	0125	012			9130	1989	T		S2	26766201003	000000 FLORENCE	WALTHAM	1	S		9,500	SODIUM								
K7	0125	014			9130	1989	T		S2	26766201003	000000 FLORENCE	WALTHAM	1	S		9,500	SODIUM								
K7	0125	016			9130	1989	T		S2	26766201003	000000 FLORENCE	WALTHAM	1	S		9,500	SODIUM								
K7	0125	018			9130	1989	T		S2	26766201003	000000 FLORENCE	WALTHAM	1	S		9,500	SODIUM								
K7	0125	020			9130	1989	T		S2	26766201003	000000 FLORENCE	WALTHAM	1	S		9,500	SODIUM								
K7	0125	022			9130	1989	T		S2	26766201003	000000 FLORENCE	WALTHAM	1	S		9,500	SODIUM								
K7	0125	024			9130	1989	T		S2	26766201003	000000 FLORENCE	WALTHAM	1	S		9,500	SODIUM								

CODE										LOCATION			EXISTING FIXTURE TYPE					PROPOSED FIXTURE TYPE				ENERGY SAVINGS		Comments	
TD	Route	Item	F	SF	Unit	Vint	CC	SM	S2	Account	ADDRESS	CITY	Qty	FT	LT	LUMENS	FT Description	Watts	Qty	FT Description	Lumens	Watts	kW Savings		kWh Savings
K7	0125	025			9130	1989	T		S2	26766201003	000000 FLORENCE	WALTHAM	1	S		9,500	SODIUM								
K7	0125	027			9130	1989	T		S2	26766201003	000000 FLORENCE	WALTHAM	1	S		9,500	SODIUM								
K7	0125	029			9130	1989	T		S2	26766201003	000000 FLORENCE	WALTHAM	1	S		9,500	SODIUM								
K7	0125	031			9130	1989	T		S2	26766201003	000000 FLORENCE	WALTHAM	1	S		9,500	SODIUM								
K7	0125	033			9130	1989	T		S2	26766201003	000000 FLORENCE	WALTHAM	1	S		9,500	SODIUM								
K7	0125	035			9130	1989	T		S2	26766201003	000000 FLORENCE	WALTHAM	1	S		9,500	SODIUM								
K7	0125	037			9130	1989	T		S2	26766201003	000000 FLORENCE	WALTHAM	1	S		9,500	SODIUM								
K7	0125	040			9130	1989	T		S2	26766201003	000000 FLORENCE	WALTHAM	1	S		9,500	SODIUM								
K7	0126	001			9130	1992	T		S2	26766201003	000000 LEONARD	WALTHAM	1	S		9,500	SODIUM								
K7	0126	003			9130	1992	T		S2	26766201003	000000 LEONARD	WALTHAM	1	S		9,500	SODIUM								
K7	0126	005			9130	1992	T		S2	26766201003	000000 LEONARD	WALTHAM	1	S		9,500	SODIUM								
K7	0126	007			9130	1992	T		S2	26766201003	000000 LEONARD	WALTHAM	1	S		9,500	SODIUM								
K7	0127	001			9130	1991	T		S2	26766201003	000000 GREEN	WALTHAM	1	S		9,500	SODIUM								
K7	0127	002			9130	1989	T		S2	26766201003	000000 WEBSTER	WALTHAM	1	S		9,500	SODIUM								
K7	0127	003		1	9130	1991	T		S2	26766201003	000000 GREEN	WALTHAM	1	S		9,500	SODIUM								
K7	0127	003		2	9130	1989	T		S2	26766201003	000000 WEBSTER	WALTHAM	1	S		9,500	SODIUM								
K7	0127	004			9130	1989	T		S2	26766201003	000000 WEBSTER	WALTHAM	1	S		9,500	SODIUM								
K7	0128	001			9130	1992	T		S2	26766201003	000000 GREENWOOD	WALTHAM	1	S		9,500	SODIUM								
K7	0128	003			9130	1992	T		S2	26766201003	000000 GREENWOOD	WALTHAM	1	S		9,500	SODIUM								
K7	0128	005			9130	1992	T		S2	26766201003	000000 GREENWOOD	WALTHAM	1	S		9,500	SODIUM								
K7	0128	006			9130	1992	T		S2	26766201003	000000 GREENWOOD	WALTHAM	1	S		9,500	SODIUM								
K7	0128	008			9130	1992	T		S2	26766201003	000000 GREENWOOD	WALTHAM	1	S		9,500	SODIUM								
K7	0128	009			9130	1992	T		S2	26766201003	000000 GREENWOOD	WALTHAM	1	S		9,500	SODIUM								
K7	0128	012			9130	1992	T		S2	26766201003	000000 GREENWOOD	WALTHAM	1	S		9,500	SODIUM								
K7	0128	014			9130	1992	T		S2	26766201003	000000 GREENWOOD	WALTHAM	1	S		9,500	SODIUM								
K7	0128	015			9130	1992	T		S2	26766201003	000000 GREENWOOD	WALTHAM	1	S		9,500	SODIUM								
K7	0128	016			9130	1992	T		S2	26766201003	000000 GREENWOOD	WALTHAM	1	S		9,500	SODIUM								
K7	0128	018			9130	1992	T		S2	26766201003	000000 GREENWOOD	WALTHAM	1	S		9,500	SODIUM								
K7	0128	019			9130	1992	T		S2	26766201003	000000 GREENWOOD	WALTHAM	1	S		9,500	SODIUM								
K7	0129	001			9130	1991	T		S2	26766201003	000000 GROVE	WALTHAM	1	S		9,500	SODIUM								
K7	0129	003			9130	1991	T		S2	26766201003	000000 GROVE	WALTHAM	1	S		9,500	SODIUM								
K7	0129	005			9130	1991	T		S2	26766201003	000000 GROVE	WALTHAM	1	S		9,500	SODIUM								
K7	0129	006			9130	1955	T		S2	26766201003	000000 SEYON	WALTHAM	1	S		9,500	SODIUM								
K7	0129	007			9130	1991	T		S2	26766201003	000000 GROVE	WALTHAM	1	S		9,500	SODIUM								
K7	0129	009			9130	1991	T		S2	26766201003	000000 GROVE	WALTHAM	1	S		9,500	SODIUM								
K7	0129	011			9130	1991	T		S2	26766201003	000000 GROVE	WALTHAM	1	S		9,500	SODIUM								
K7	0129	013			9130	1991	T		S2	26766201003	000000 GROVE	WALTHAM	1	S		9,500	SODIUM								
K7	0129	015			9130	1991	T		S2	26766201003	000000 GROVE	WALTHAM	1	S		9,500	SODIUM								
K7	0129	017			9130	1991	T		S2	26766201003	000000 GROVE	WALTHAM	1	S		9,500	SODIUM								
K7	0129	018		1	9130	1998	T		S2	26766201003	000000 GROVE	WALTHAM	1	S		9,500	SODIUM								
K7	0129	018		2	9130	1998	T		S2	26766201003	000000 GROVE	WALTHAM	1	S		9,500	SODIUM								
K7	0129	019			9130	1991	T		S2	26766201003	000000 GROVE	WALTHAM	1	S		9,500	SODIUM								
K7	0129	020			9130	1991	T		S2	26766201003	000000 GROVE	WALTHAM	1	S		9,500	SODIUM								
K7	0129	021			9130	1991	T		S2	26766201003	000000 GROVE	WALTHAM	1	S		9,500	SODIUM								
K7	0129	022			9130	1991	T		S2	26766201003	000000 GROVE	WALTHAM	1	S		9,500	SODIUM								
K7	0129	023			9130	1991	T		S2	26766201003	000000 GROVE	WALTHAM	1	S		9,500	SODIUM								
K7	0129	024			9130	1991	T		S2	26766201003	000000 GROVE	WALTHAM	1	S		9,500	SODIUM								
K7	0129	025			9130	1991	T		S2	26766201003	000000 GROVE	WALTHAM	1	S		9,500	SODIUM								
K7	0129	026			9130	1991	T		S2	26766201003	000000 GROVE	WALTHAM	1	S		9,500	SODIUM								
K7	0129	027			9130	1991	T		S2	26766201003	000000 GROVE	WALTHAM	1	S		9,500	SODIUM								

CODE										LOCATION			EXISTING FIXTURE TYPE					PROPOSED FIXTURE TYPE				ENERGY SAVINGS		Comments	
TD	Route	Item	F	SF	Unit	Vint	CC	SM	S2	Account	ADDRESS	CITY	Qty	FT	LT	LUMENS	FT Description	Watts	Qty	FT Description	Lumens	Watts	kW Savings		kWh Savings
K7	0129	028			9130	1991	T		S2	26766201003	000000 GROVE	WALTHAM	1	S		9,500	SODIUM								
K7	0129	029			9130	1991	T		S2	26766201003	000000 GROVE	WALTHAM	1	S		9,500	SODIUM								
K7	0129	030			9130	1991	T		S2	26766201003	000000 GROVE	WALTHAM	1	S		9,500	SODIUM								
K7	0129	031			9130	1991	T		S2	26766201003	000000 GROVE	WALTHAM	1	S		9,500	SODIUM								
K7	0129	032			9130	1991	T		S2	26766201003	000000 GROVE	WALTHAM	1	S		9,500	SODIUM								
K7	0129	033			9130	1991	T		S2	26766201003	000000 GROVE	WALTHAM	1	S		9,500	SODIUM								
K7	0129	034		1	9130	1991	T		S2	26766201003	000000 GROVE	WALTHAM	1	S		9,500	SODIUM								
K7	0129	034		2	9130	1991	T		S2	26766201003	000000 GROVE	WALTHAM	1	S		9,500	SODIUM								
K7	0129	035			9130	1991	T		S2	26766201003	000000 GROVE	WALTHAM	1	S		9,500	SODIUM								
K7	0129	036			9130	1991	T		S2	26766201003	000000 GROVE	WALTHAM	1	S		9,500	SODIUM								
K7	0129	037			9130	1991	T		S2	26766201003	000000 GROVE	WALTHAM	1	S		9,500	SODIUM								
K7	0129	038			9130	1991	T		S2	26766201003	000000 GROVE	WALTHAM	1	S		9,500	SODIUM								
K7	0129	039			9130	1991	T		S2	26766201003	000000 GROVE	WALTHAM	1	S		9,500	SODIUM								
K7	0129	040			9130	1991	T		S2	26766201003	000000 GROVE	WALTHAM	1	S		9,500	SODIUM								
K7	0129	041			9130	1991	T		S2	26766201003	000000 GROVE	WALTHAM	1	S		9,500	SODIUM								
K7	0129	042			9130	1991	T		S2	26766201003	000000 GROVE	WALTHAM	1	S		9,500	SODIUM								
K7	0129	043			9130	1991	T		S2	26766201003	000000 GROVE	WALTHAM	1	S		9,500	SODIUM								
K7	0129	044			9130	1991	T		S2	26766201003	000000 GROVE	WALTHAM	1	S		9,500	SODIUM								
K7	0130	001			9130	1991	T		S2	26766201003	000000 GUINAN	WALTHAM	1	S		9,500	SODIUM								
K7	0130	003			9130	1991	T		S2	26766201003	000000 GUINAN	WALTHAM	1	S		9,500	SODIUM								
K7	0130	005			9130	1991	T		S2	26766201003	000000 GUINAN	WALTHAM	1	S		9,500	SODIUM								
K7	0130	006			9130	1991	T		S2	26766201003	000000 GUINAN	WALTHAM	1	S		9,500	SODIUM								
K7	0130	008			9130	1991	T		S2	26766201003	000000 GUINAN	WALTHAM	1	S		9,500	SODIUM								
K7	0130	010			9130	1991	T		S2	26766201003	000000 GUINAN	WALTHAM	1	S		9,500	SODIUM								
K7	0130	012			9130	1991	T		S2	26766201003	000000 GUINAN	WALTHAM	1	S		9,500	SODIUM								
K7	0131	001			0000	2012	T		S2	26766201003	000000 ADAMS	WALTHAM	1	D		1,688	LED								
K7	0132	001			9130	1991	T		S2	26766201003	000000 HALL	WALTHAM	1	S		9,500	SODIUM								
K7	0132	002			9130	1991	T		S2	26766201003	000000 HALL	WALTHAM	1	S		9,500	SODIUM								
K7	0132	003			9130	1991	T		S2	26766201003	000000 HALL	WALTHAM	1	S		9,500	SODIUM								
K7	0132	004			9130	1991	T		S2	26766201003	000000 HALL	WALTHAM	1	S		9,500	SODIUM								
K7	0132	007			9130	1991	T		S2	26766201003	000000 HALL	WALTHAM	1	S		9,500	SODIUM								
K7	0132	008			9130	1991	T		S2	26766201003	000000 HALL	WALTHAM	1	S		9,500	SODIUM								
K7	0132	009			9130	1991	T		S2	26766201003	000000 HALL	WALTHAM	1	S		9,500	SODIUM								
K7	0132	011			9130	1991	T		S2	26766201003	000000 HALL	WALTHAM	1	S		9,500	SODIUM								
K7	0132	012			9130	1991	T		S2	26766201003	000000 HALL	WALTHAM	1	S		9,500	SODIUM								
K7	0133	002			9130	1991	T		S2	26766201003	000000 FRANKLIN	WALTHAM	1	S		9,500	SODIUM								
K7	0134	001			9130	1995	T		S2	26766201003	000000 HAMMER	WALTHAM	1	S		9,500	SODIUM								
K7	0134	002			9130	1995	T		S2	26766201003	000000 HAMMER	WALTHAM	1	S		9,500	SODIUM								
K7	0134	003			9130	1995	T		S2	26766201003	000000 HAMMER	WALTHAM	1	S		9,500	SODIUM								
K7	0135	000			9130	1989	T		S2	26766201003	000000 THORNTON	WALTHAM	1	S		9,500	SODIUM								
K7	0135	001			9130	1989	T		S2	26766201003	000000 THORNTON	WALTHAM	1	S		9,500	SODIUM								
K7	0135	002			9130	1987	T		S2	26766201003	000000 HAMMOND	WALTHAM	1	S		9,500	SODIUM								
K7	0135	004		1	9130	1989	T		S2	26766201003	000000 THORNTON	WALTHAM	1	S		9,500	SODIUM								
K7	0135	004		2	9130	1987	T		S2	26766201003	000000 HAMMOND	WALTHAM	1	S		9,500	SODIUM								
K7	0135	006		1	9130	1989	T		S2	26766201003	000000 THORNTON	WALTHAM	1	S		9,500	SODIUM								
K7	0135	006		2	9130	1987	T		S2	26766201003	000000 HAMMOND	WALTHAM	1	S		9,500	SODIUM								
K7	0135	008		1	9130	1989	T		S2	26766201003	000000 THORNTON	WALTHAM	1	S		9,500	SODIUM								
K7	0135	008		2	9130	1987	T		S2	26766201003	000000 HAMMOND	WALTHAM	1	S		9,500	SODIUM								
K7	0135	009			9130	1989	T		S2	26766201003	000000 THORNTON	WALTHAM	1	S		9,500	SODIUM								
K7	0135	010			9130	1987	T		S2	26766201003	000000 HAMMOND	WALTHAM	1	S		9,500	SODIUM								

CODE										LOCATION			EXISTING FIXTURE TYPE					PROPOSED FIXTURE TYPE				ENERGY SAVINGS		Comments	
TD	Route	Item	F	SF	Unit	Vint	CC	SM	S2	Account	ADDRESS	CITY	Qty	FT	LT	LUMENS	FT Description	Watts	Qty	FT Description	Lumens	Watts	kW Savings		kWh Savings
K7	0135	011			9130	1989	T		S2	26766201003	000000 THORNTON	WALTHAM	1	S		9,500	SODIUM								
K7	0135	012			9130	1987	T		S2	26766201003	000000 HAMMOND	WALTHAM	1	S		9,500	SODIUM								
K7	0135	013		1	9130	1989	T		S2	26766201003	000000 THORNTON	WALTHAM	1	S		9,500	SODIUM								
K7	0135	013		2	9130	1987	T		S2	26766201003	000000 HAMMOND	WALTHAM	1	S		9,500	SODIUM								
K7	0135	014			9130	1987	T		S2	26766201003	000000 HAMMOND	WALTHAM	1	S		16,000	SODIUM								
K7	0135	015		1	9130	1989	T		S2	26766201003	000000 THORNTON	WALTHAM	1	S		9,500	SODIUM								
K7	0135	015		2	9130	1987	T		S2	26766201003	000000 HAMMOND	WALTHAM	1	S		9,500	SODIUM								
K7	0135	017		1	9130	1989	T		S2	26766201003	000000 THORNTON	WALTHAM	1	S		9,500	SODIUM								
K7	0135	017		2	9130	1987	T		S2	26766201003	000000 HAMMOND	WALTHAM	1	S		9,500	SODIUM								
K7	0136	004			9130	1991	T		S2	26766201003	000000 HARDING	WALTHAM	1	S		9,500	SODIUM								
K7	0137	002		1	9130	1991	T		S2	26766201003	000000 HARRIS	WALTHAM	1	S		9,500	SODIUM								
K7	0137	002		2	9130	1989	T		S2	26766201003	000000 WILSON	WALTHAM	1	S		9,500	SODIUM								
K7	0137	003			9130	1989	T		S2	26766201003	000000 WILSON	WALTHAM	1	S		9,500	SODIUM								
K7	0137	004			9130	1991	T		S2	26766201003	000000 HARRIS	WALTHAM	1	S		9,500	SODIUM								
K7	0137	006			9130	1991	T		S2	26766201003	000000 HARRIS	WALTHAM	1	S		9,500	SODIUM								
K7	0137	008			9130	1991	T		S2	26766201003	000000 HARRIS	WALTHAM	1	S		9,500	SODIUM								
K7	0138	002			9130	1991	T		S2	26766201003	000000 HARTWELL	WALTHAM	1	S		9,500	SODIUM								
K7	0138	004			9130	1991	T		S2	26766201003	000000 HARTWELL	WALTHAM	1	S		9,500	SODIUM								
K7	0138	005			9130	1991	T		S2	26766201003	000000 HARTWELL	WALTHAM	1	S		9,500	SODIUM								
K7	0139	001			9130	1991	T		S2	26766201003	000000 HARVARD	WALTHAM	1	S		9,500	SODIUM								
K7	0139	002		1	9130	1991	T		S2	26766201003	000000 OUTLOOK	WALTHAM	1	S		2,150	SODIUM								
K7	0139	002		2	9130	1991	T		S2	26766201003	000000 HARVARD	WALTHAM	1	S		9,500	SODIUM								
K7	0139	004			9130	1991	T		S2	26766201003	000000 HARVARD	WALTHAM	1	S		9,500	SODIUM								
K7	0139	006			9130	1991	T		S2	26766201003	000000 HARVARD	WALTHAM	1	S		9,500	SODIUM								
K7	0139	009			9130	1991	T		S2	26766201003	000000 HARVARD	WALTHAM	1	S		9,500	SODIUM								
K7	0139	010			9130	1991	T		S2	26766201003	000000 HARVARD	WALTHAM	1	S		9,500	SODIUM								
K7	0139	011			9130	1991	T		S2	26766201003	000000 HARVARD	WALTHAM	1	S		9,500	SODIUM								
K7	0139	013			9130	1991	T		S2	26766201003	000000 HARVARD	WALTHAM	1	S		9,500	SODIUM								
K7	0139	015			9130	1991	T		S2	26766201003	000000 HARVARD	WALTHAM	1	S		9,500	SODIUM								
K7	0139	016			9130	1991	T		S2	26766201003	000000 HARVARD	WALTHAM	1	S		9,500	SODIUM								
K7	0139	017			9130	1991	T		S2	26766201003	000000 HARVARD	WALTHAM	1	S		9,500	SODIUM								
K7	0140	002			9130	1990	T		S2	26766201003	000000 SUMMER	WALTHAM	1	S		9,500	SODIUM								
K7	0140	004			9130	1990	T		S2	26766201003	000000 SUMMER	WALTHAM	1	S		9,500	SODIUM								
K7	0141	001			9130	1991	T		S2	26766201003	000000 HARVARD	WALTHAM	1	S		9,500	SODIUM								
K7	0141	002			9130	1989	T		S2	26766201003	000000 VIRGINIA	WALTHAM	1	S		9,500	SODIUM								
K7	0141	004			9130	1989	T		S2	26766201003	000000 VIRGINIA	WALTHAM	1	S		9,500	SODIUM								
K7	0141	006			9130	1989	T		S2	26766201003	000000 VIRGINIA	WALTHAM	1	S		9,500	SODIUM								
K7	0141	008			9130	1989	T		S2	26766201003	000000 VIRGINIA	WALTHAM	1	S		9,500	SODIUM								
K7	0141	010			9130	1989	T		S2	26766201003	000000 VIRGINIA	WALTHAM	1	S		9,500	SODIUM								
K7	0141	011			9130	1989	T		S2	26766201003	000000 VIRGINIA	WALTHAM	1	S		9,500	SODIUM								
K7	0141	013			9130	1989	T		S2	26766201003	000000 VIRGINIA	WALTHAM	1	S		9,500	SODIUM								
K7	0141	015			9130	1989	T		S2	26766201003	000000 VIRGINIA	WALTHAM	1	S		9,500	SODIUM								
K7	0141	017			9130	1989	T		S2	26766201003	000000 VIRGINIA	WALTHAM	1	S		9,500	SODIUM								
K7	0141	019			9130	1989	T		S2	26766201003	000000 VIRGINIA	WALTHAM	1	S		9,500	SODIUM								
K7	0141	021			9130	1994	T		S2	26766201003	000000 VIRGINIA	WALTHAM	1	S		9,500	SODIUM								
K7	0142	002		1	9130	1991	T		S2	26766201003	000000 HASTINGS	WALTHAM	1	S		9,500	SODIUM								
K7	0142	002		2	9130	1989	T		S2	26766201003	000000 HAMILTON	WALTHAM	1	S		9,500	SODIUM								
K7	0142	003			9130	1991	T		S2	26766201003	000000 HASTINGS	WALTHAM	1	S		9,500	SODIUM								
K7	0142	004			9130	1989	T		S2	26766201003	000000 HAMILTON	WALTHAM	1	S		9,500	SODIUM								
K7	0142	007			9130	1989	T		S2	26766201003	000000 HAMILTON	WALTHAM	1	S		9,500	SODIUM								

CODE										LOCATION			EXISTING FIXTURE TYPE					PROPOSED FIXTURE TYPE				ENERGY SAVINGS		Comments	
TD	Route	Item	F	SF	Unit	Vint	CC	SM	S2	Account	ADDRESS	CITY	Qty	FT	LT	LUMENS	FT Description	Watts	Qty	FT Description	Lumens	Watts	kW Savings		kWh Savings
K7	0142	009			9130	1989	T		S2	26766201003	000000 HAMILTON	WALTHAM	1	S		9,500	SODIUM								
K7	0142	011			9130	1989	T		S2	26766201003	000000 HAMILTON	WALTHAM	1	S		9,500	SODIUM								
K7	0142	013			9130	1989	T		S2	26766201003	000000 HAMILTON	WALTHAM	1	S		9,500	SODIUM								
K7	0143	002			9130	1991	T		S2	26766201003	000000 PIERCE	WALTHAM	1	S		9,500	SODIUM								
K7	0143	004			9130	1991	T		S2	26766201003	000000 PIERCE	WALTHAM	1	S		9,500	SODIUM								
K7	0143	006			9130	1991	T		S2	26766201003	000000 PIERCE	WALTHAM	1	S		9,500	SODIUM								
K7	0145	002			9130	1991	T		S2	26766201003	000000 HEARD	WALTHAM	1	S		9,500	SODIUM								
K7	0145	003			9130	1991	T		S2	26766201003	000000 HEARD	WALTHAM	1	S		9,500	SODIUM								
K7	0145	004			9130	1991	T		S2	26766201003	000000 HEARD	WALTHAM	1	S		9,500	SODIUM								
K7	0146	002			9130	1991	T		S2	26766201003	000000 HIGH	WALTHAM	1	S		25,000	SODIUM								
K7	0146	003		1	0000	2012	T		S2	26766201003	000000 WILLARD	WALTHAM	1	D		1,688	LED								
K7	0146	003		2	9130	1991	T		S2	26766201003	000010 HIGH	WALTHAM	1	S		25,000	SODIUM								
K7	0146	004			9130	1991	T		S2	26766201003	000000 HIGH	WALTHAM	1	S		25,000	SODIUM								
K7	0146	005		1	0000	2012	T		S2	26766201003	000000 WILLARD	WALTHAM	1	D		1,688	LED								
K7	0146	005		2	9130	1991	T		S2	26766201003	000000 HIGH	WALTHAM	1	S		16,000	SODIUM								
K7	0146	007			9130	1921	T		S2	26766201003	000000 HIGH	WALTHAM	1	S		16,000	SODIUM								
K7	0146	008			9130	1991	T		S2	26766201003	000000 HIGH	WALTHAM	1	S		16,000	SODIUM								
K7	0146	018			9130	1986	T		S2	26766201003	000000 HIGH	WALTHAM	1	S		16,000	SODIUM								
K7	0146	019			9130	1991	T		S2	26766201003	000000 HIGH	WALTHAM	1	S		16,000	SODIUM								
K7	0146	021			9130	1991	T		S2	26766201003	000152 HIGH	WALTHAM	1	S		16,000	SODIUM								
K7	0146	023			9130	1991	T		S2	26766201003	000000 HIGH	WALTHAM	1	S		16,000	SODIUM								
K7	0146	024			9130	1991	T		S2	26766201003	000000 HIGH	WALTHAM	1	S		16,000	SODIUM								
K7	0146	025			9130	1991	T		S2	26766201003	000000 HIGH	WALTHAM	1	S		16,000	SODIUM								
K7	0146	027			9130	1991	T		S2	26766201003	000000 HIGH	WALTHAM	1	S		16,000	SODIUM								
K7	0146	028			9130	1991	T		S2	26766201003	000000 HIGH	WALTHAM	1	S		16,000	SODIUM								
K7	0147	002			9130	1991	T		S2	26766201003	000000 EDDY	WALTHAM	1	S		9,500	SODIUM								
K7	0147	003			9130	1991	T		S2	26766201003	000000 EDDY	WALTHAM	1	S		9,500	SODIUM								
K7	0147	005			9130	1991	T		S2	26766201003	000000 EDDY	WALTHAM	1	S		9,500	SODIUM								
K7	0148	001			9130	1995	T		S2	26766201003	000000 CALDWELL	WALTHAM	1	S		9,500	SODIUM								
K7	0148	003			9130	1991	T		S2	26766201003	000000 CALDWELL	WALTHAM	1	S		9,500	SODIUM								
K7	0148	005			9130	1991	T		S2	26766201003	000000 CALDWELL	WALTHAM	1	S		9,500	SODIUM								
K7	0148	006			9130	1991	T		S2	26766201003	000000 CALDWELL	WALTHAM	1	S		9,500	SODIUM								
K7	0149	001			9130	1986	T		S2	26766201003	000000 EMERSON	WALTHAM	1	S		4,000	SODIUM								
K7	0149	003			9130	1986	T		S2	26766201003	000000 EMERSON	WALTHAM	1	S		4,000	SODIUM								
K7	0149	005			9130	1986	T		S2	26766201003	000000 EMERSON	WALTHAM	1	S		4,000	SODIUM								
K7	0150	002			9130	1991	T		S2	26766201003	000000 IVALOO	WALTHAM	1	S		9,500	SODIUM								
K7	0151	001			9130	1991	T		S2	26766201003	000000 COPLEY	WALTHAM	1	S		9,500	SODIUM								
K7	0151	003			9130	1991	T		S2	26766201003	000000 COPLEY	WALTHAM	1	S		9,500	SODIUM								
K7	0151	005			9130	1991	T		S2	26766201003	000000 COPLEY	WALTHAM	1	S		9,500	SODIUM								
K7	0151	007			9130	1991	T		S2	26766201003	000000 COPLEY	WALTHAM	1	S		9,500	SODIUM								
K7	0153	003			9130	1991	T		S2	26766201003	000000 HOPE	WALTHAM	1	S		9,500	SODIUM								
K7	0154	001			0000	2012	T		S2	26766201003	000000 HOWARD	WALTHAM	1	D		3,562	LED								
K7	0154	002			0000	2012	T		S2	26766201003	000000 HOWARD	WALTHAM	1	D		3,562	LED								
K7	0154	003			0000	2012	T		S2	26766201003	000000 HOWARD	WALTHAM	1	D		3,562	LED								
K7	0154	004			0000	2012	T		S2	26766201003	000000 HOWARD	WALTHAM	1	D		3,562	LED								
K7	0154	006			0000	2012	T		S2	26766201003	000000 HOWARD	WALTHAM	1	D		3,562	LED								
K7	0154	009			0000	2012	T		S2	26766201003	000000 HOWARD	WALTHAM	1	D		3,562	LED								
K7	0154	010			0000	2012	T		S2	26766201003	000000 HOWARD	WALTHAM	1	D		3,562	LED								
K7	0154	012			0000	2012	T		S2	26766201003	000000 HOWARD	WALTHAM	1	D		3,562	LED								
K7	0155	001			9130	1991	T		S2	26766201003	000000 HUNTINGTON	WALTHAM	1	S		9,500	SODIUM								

CODE										LOCATION			EXISTING FIXTURE TYPE					PROPOSED FIXTURE TYPE				ENERGY SAVINGS		Comments	
TD	Route	Item	F	SF	Unit	Vint	CC	SM	S2	Account	ADDRESS	CITY	Qty	FT	LT	LUMENS	FT Description	Watts	Qty	FT Description	Lumens	Watts	kW Savings		kWh Savings
K7	0155	003			9130	1991	T		S2	26766201003	000016 HUNTINGTON	WALTHAM	1	S		9,500	SODIUM								
K7	0155	006			9130	1991	T		S2	26766201003	000000 HUNTINGTON	WALTHAM	1	S		9,500	SODIUM								
K7	0156	002		1	9130	1991	T		S2	26766201003	000000 JACKSON	WALTHAM	1	S		9,500	SODIUM								
K7	0156	002		2	9130	1987	T		S2	26766201003	000000 COOLIDGE	WALTHAM	1	S		9,500	SODIUM								
K7	0156	003			9130	1991	T		S2	26766201003	000000 JACKSON	WALTHAM	1	S		9,500	SODIUM								
K7	0156	004		1	9130	1991	T		S2	26766201003	000000 JACKSON	WALTHAM	1	S		9,500	SODIUM								
K7	0156	004		2	9130	1987	T		S2	26766201003	000000 COOLIDGE	WALTHAM	1	S		9,500	SODIUM								
K7	0156	006			9130	1987	T		S2	26766201003	000000 COOLIDGE	WALTHAM	1	S		9,500	SODIUM								
K7	0157	002			9130	1991	T		S2	26766201003	000010 ROYAL	WALTHAM	1	S		9,500	SODIUM								
K7	0157	004			9130	1991	T		S2	26766201003	000000 ROYAL	WALTHAM	1	S		9,500	SODIUM								
K7	0157	006			9130	1991	T		S2	26766201003	000000 ROYAL	WALTHAM	1	S		9,500	SODIUM								
K7	0158	001			9130	1991	T		S2	26766201003	000000 JOHN	WALTHAM	1	S		9,500	SODIUM								
K7	0158	002			9130	1991	T		S2	26766201003	000000 JOHN	WALTHAM	1	S		9,500	SODIUM								
K7	0158	005			9130	1986	T		S2	26766201003	000000 JOHN	WALTHAM	1	S		9,500	SODIUM								
K7	0159	002			9130	1991	T		S2	26766201003	000000 NOTTINGHAM	WALTHAM	1	S		9,500	SODIUM								
K7	0160	001		1	9130	1991	T		S2	26766201003	000000 MURRAY	WALTHAM	1	S		9,500	SODIUM								
K7	0160	001		2	9130	1989	T		S2	26766201003	000000 WILTON	WALTHAM	1	S		9,500	SODIUM								
K7	0160	002			9130	1989	T		S2	26766201003	000000 WILTON	WALTHAM	1	S		9,500	SODIUM								
K7	0160	003			9130	1991	T		S2	26766201003	000000 MURRAY	WALTHAM	1	S		9,500	SODIUM								
K7	0160	005			9130	1991	T		S2	26766201003	000000 MURRAY	WALTHAM	1	S		9,500	SODIUM								
K7	0161	002		1	0000	2012	T		S2	26766201003	000000 LAWTON	WALTHAM	1	D		1,688	LED								
K7	0161	002		2	9130	1991	T		S2	26766201003	000000 DARTMOUTH	WALTHAM	1	S		9,500	SODIUM								
K7	0161	004			9130	1991	T		S2	26766201003	000000 DARTMOUTH	WALTHAM	1	S		9,500	SODIUM								
K7	0162	001			9130	1991	T		S2	26766201003	000000 JACKSON	WALTHAM	1	S		9,500	SODIUM								
K7	0163	002			9130	1989	T		S2	26766201003	000000 WETHERBEE	WALTHAM	1	S		9,500	SODIUM								
K7	0163	005			9130	1989	T		S2	26766201003	000000 WETHERBEE	WALTHAM	1	S		9,500	SODIUM								
K7	0163	007			9130	1989	T		S2	26766201003	000000 WETHERBEE	WALTHAM	1	S		9,500	SODIUM								
K7	0163	009			9130	1989	T		S2	26766201003	000000 WETHERBEE	WALTHAM	1	S		9,500	SODIUM								
K7	0163	010			9130	1989	T		S2	26766201003	000000 WETHERBEE	WALTHAM	1	S		9,500	SODIUM								
K7	0163	012			9130	1989	T		S2	26766201003	000000 WETHERBEE	WALTHAM	1	S		9,500	SODIUM								
K7	0163	014			9130	1989	T		S2	26766201003	000000 WETHERBEE	WALTHAM	1	S		9,500	SODIUM								
K7	0164	001		1	9130	1989	T		S2	26766201003	000000 HARLAND	WALTHAM	1	S		9,500	SODIUM								
K7	0164	001		2	9130	1988	T		S2	26766201003	000000 WESTGATE	WALTHAM	1	S		16,000	SODIUM								
K7	0164	002			9130	1989	T		S2	26766201003	000000 HARLAND	WALTHAM	1	S		9,500	SODIUM								
K7	0164	004			9130	1989	T		S2	26766201003	000000 HARLAND	WALTHAM	1	S		9,500	SODIUM								
K7	0164	006			9130	1989	T		S2	26766201003	000000 HARLAND	WALTHAM	1	S		9,500	SODIUM								
K7	0164	007			9130	1989	T		S2	26766201003	000000 HARLAND	WALTHAM	1	S		9,500	SODIUM								
K7	0164	009			9130	1989	T		S2	26766201003	000000 HARLAND	WALTHAM	1	S		9,500	SODIUM								
K7	0164	011			9130	1989	T		S2	26766201003	000000 HARLAND	WALTHAM	1	S		9,500	SODIUM								
K7	0165	001			9130	1992	T		S2	26766201003	000000 ROCKRIDGE	WALTHAM	1	S		9,500	SODIUM								
K7	0165	003			9130	1992	T		S2	26766201003	000000 ROCKRIDGE	WALTHAM	1	S		9,500	SODIUM								
K7	0165	005			9130	1992	T		S2	26766201003	000000 ROCKRIDGE	WALTHAM	1	S		9,500	SODIUM								
K7	0165	007			9130	1992	T		S2	26766201003	000000 ROCKRIDGE	WALTHAM	1	S		9,500	SODIUM								
K7	0165	009			9130	1992	T		S2	26766201003	000000 ROCKRIDGE	WALTHAM	1	S		9,500	SODIUM								
K7	0165	011			9130	1992	T		S2	26766201003	000000 ROCKRIDGE	WALTHAM	1	S		9,500	SODIUM								
K7	0165	012			9130	1992	T		S2	26766201003	000000 ROCKRIDGE	WALTHAM	1	S		9,500	SODIUM								
K7	0166	002		1	9130	1992	T		S2	26766201003	000000 LAWRENCE	WALTHAM	1	S		9,500	SODIUM								
K7	0166	002		2	9130	1989	T		S2	26766201003	000000 FLAGG	WALTHAM	1	S		9,500	SODIUM								
K7	0166	004			9130	1992	T		S2	26766201003	000000 LAWRENCE	WALTHAM	1	S		9,500	SODIUM								
K7	0166	007			9130	1992	T		S2	26766201003	000000 LAWRENCE	WALTHAM	1	S		9,500	SODIUM								

CODE										LOCATION			EXISTING FIXTURE TYPE					PROPOSED FIXTURE TYPE				ENERGY SAVINGS		Comments	
TD	Route	Item	F	SF	Unit	Vint	CC	SM	S2	Account	ADDRESS	CITY	Qty	FT	LT	LUMENS	FT Description	Watts	Qty	FT Description	Lumens	Watts	kW Savings		kWh Savings
K7	0166	009			9130	1992	T		S2	26766201003	000000 LAWRENCE	WALTHAM	1	S		9,500	SODIUM								
K7	0166	010			9130	1992	T		S2	26766201003	000000 LAWRENCE	WALTHAM	1	S		9,500	SODIUM								
K7	0167	001			9130	1992	T		S2	26766201003	000000 CLARK	WALTHAM	1	S		9,500	SODIUM								
K7	0167	002			9130	1992	T		S2	26766201003	000000 CLARK	WALTHAM	1	S		9,500	SODIUM								
K7	0167	003			9130	1992	T		S2	26766201003	000000 LAKEVIEW	WALTHAM	1	S		9,500	SODIUM								
K7	0167	004			9130	1992	T		S2	26766201003	000000 CLARK	WALTHAM	1	S		9,500	SODIUM								
K7	0167	007			9130	1992	T		S2	26766201003	000000 LAKEVIEW	WALTHAM	1	S		9,500	SODIUM								
K7	0167	009		1	9130	1992	T		S2	26766201003	000000 LAKEVIEW	WALTHAM	1	S		9,500	SODIUM								
K7	0167	009		2	9130	1976	T		S2	26766201003	000000 CLARK	WALTHAM	1	S		9,500	SODIUM								
K7	0167	010			9130	1992	T		S2	26766201003	000000 CLARK	WALTHAM	1	S		9,500	SODIUM								
K7	0167	011			9130	1992	T		S2	26766201003	000000 LAKEVIEW	WALTHAM	1	S		9,500	SODIUM								
K7	0167	013			9130	1992	T		S2	26766201003	000000 LAKEVIEW	WALTHAM	1	S		9,500	SODIUM								
K7	0167	014			9130	1992	T		S2	26766201003	000000 CLARK	WALTHAM	1	S		9,500	SODIUM								
K7	0167	016			9130	1992	T		S2	26766201003	000000 CLARK	WALTHAM	1	S		9,500	SODIUM								
K7	0167	017			9130	1992	T		S2	26766201003	000000 LAKEVIEW	WALTHAM	1	S		9,500	SODIUM								
K7	0167	018			9130	1992	T		S2	26766201003	000000 CLARK	WALTHAM	1	S		9,500	SODIUM								
K7	0167	019			9130	1992	T		S2	26766201003	000000 LAKEVIEW	WALTHAM	1	S		9,500	SODIUM								
K7	0167	021			9130	1992	T		S2	26766201003	000000 LAKEVIEW	WALTHAM	1	S		9,500	SODIUM								
K7	0167	023			9130	1992	T		S2	26766201003	000000 LAKEVIEW	WALTHAM	1	S		9,500	SODIUM								
K7	0167	024			9130	1992	T		S2	26766201003	000000 LAKEVIEW	WALTHAM	1	S		9,500	SODIUM								
K7	0167	026			9130	1992	T		S2	26766201003	000000 LAKEVIEW	WALTHAM	1	S		9,500	SODIUM								
K7	0168	001			9130	1986	T		S2	26766201003	000000 GORMANS	WALTHAM	1	S		4,000	SODIUM								
K7	0168	002		1	9130	1991	T		S2	26766201003	000000 CUNNINGHAM	WALTHAM	1	S		9,500	SODIUM								
K7	0168	002		2	9130	1986	T		S2	26766201003	000000 GORMANS	WALTHAM	1	S		4,000	SODIUM								
K7	0168	003			9130	1986	T		S2	26766201003	000000 GORMANS	WALTHAM	1	S		2,150	SODIUM								
K7	0168	004			9130	1991	T		S2	26766201003	000000 CUNNINGHAM	WALTHAM	1	S		9,500	SODIUM								
K7	0169	024			9130	1986	T		S2	26766201003	000000 LEXINGTON	WALTHAM	1	S		16,000	SODIUM								
K7	0169	025			9130	1986	T		S2	26766201003	000000 LEXINGTON	WALTHAM	1	S		16,000	SODIUM								
K7	0169	026			9130	1986	T		S2	26766201003	000209 LEXINGTON	WALTHAM	1	S		16,000	SODIUM								
K7	0169	028			9130	1986	T		S2	26766201003	000000 LEXINGTON	WALTHAM	1	S		16,000	SODIUM								
K7	0169	030			9130	1986	T		S2	26766201003	000000 LEXINGTON	WALTHAM	1	S		16,000	SODIUM								
K7	0169	032			9130	1986	T		S2	26766201003	000000 LEXINGTON	WALTHAM	1	S		16,000	SODIUM								
K7	0169	033			9130	1986	T		S2	26766201003	000000 LEXINGTON	WALTHAM	1	S		16,000	SODIUM								
K7	0169	034			9130	1986	T		S2	26766201003	000000 LEXINGTON	WALTHAM	1	S		16,000	SODIUM								
K7	0169	035			9130	1986	T		S2	26766201003	000000 LEXINGTON	WALTHAM	1	S		16,000	SODIUM								
K7	0169	036			9130	1986	T		S2	26766201003	000000 LEXINGTON	WALTHAM	1	S		16,000	SODIUM								
K7	0169	038			9130	1986	T		S2	26766201003	000000 LEXINGTON	WALTHAM	1	S		16,000	SODIUM								
K7	0169	040			9130	1986	T		S2	26766201003	000000 LEXINGTON	WALTHAM	1	S		16,000	SODIUM								
K7	0169	042			9130	1986	T		S2	26766201003	000000 LEXINGTON	WALTHAM	1	S		16,000	SODIUM								
K7	0169	044			9130	1986	T		S2	26766201003	000351 LEXINGTON	WALTHAM	1	S		16,000	SODIUM								
K7	0169	045			9130	1986	T		S2	26766201003	000000 LEXINGTON	WALTHAM	1	S		16,000	SODIUM								
K7	0169	046			9130	1986	T		S2	26766201003	000000 LEXINGTON	WALTHAM	1	S		16,000	SODIUM								
K7	0169	048			9130	1986	T		S2	26766201003	000000 LEXINGTON	WALTHAM	1	S		16,000	SODIUM								
K7	0169	050			9130	1986	T		S2	26766201003	000000 LEXINGTON	WALTHAM	1	S		16,000	SODIUM								
K7	0169	051			9130	1986	T		S2	26766201003	000000 LEXINGTON	WALTHAM	1	S		16,000	SODIUM								
K7	0169	053			9130	1986	T		S2	26766201003	000000 LEXINGTON	WALTHAM	1	S		16,000	SODIUM								
K7	0169	055			9130	1986	T		S2	26766201003	000000 LEXINGTON	WALTHAM	1	S		16,000	SODIUM								
K7	0169	056			9130	1986	T		S2	26766201003	000000 LEXINGTON	WALTHAM	1	S		16,000	SODIUM								
K7	0169	058			9130	1985	T		S2	26766201003	000000 LEXINGTON	WALTHAM	1	S		25,000	SODIUM								
K7	0169	060			9130	1985	T		S2	26766201003	000000 LEXINGTON	WALTHAM	1	S		25,000	SODIUM								

CODE										LOCATION			EXISTING FIXTURE TYPE					PROPOSED FIXTURE TYPE				ENERGY SAVINGS		Comments	
TD	Route	Item	F	SF	Unit	Vint	CC	SM	S2	Account	ADDRESS	CITY	Qty	FT	LT	LUMENS	FT Description	Watts	Qty	FT Description	Lumens	Watts	kW Savings		kWh Savings
K7	0169	062			9130	1985	T		S2	26766201003	000000 LEXINGTON	WALTHAM	1	S		25,000	SODIUM								
K7	0169	064			9130	1985	T		S2	26766201003	000000 LEXINGTON	WALTHAM	1	S		25,000	SODIUM								
K7	0169	066			9130	1985	T		S2	26766201003	000000 LEXINGTON	WALTHAM	1	S		25,000	SODIUM								
K7	0169	068			9130	1985	T		S2	26766201003	000000 LEXINGTON	WALTHAM	1	S		25,000	SODIUM								
K7	0169	069			9130	1986	T		S2	26766201003	000000 LEXINGTON	WALTHAM	1	S		25,000	SODIUM								
K7	0169	070			9130	1986	T		S2	26766201003	000000 LEXINGTON	WALTHAM	1	S		25,000	SODIUM								
K7	0169	072			9130	1986	T		S2	26766201003	000000 LEXINGTON	WALTHAM	1	S		25,000	SODIUM								
K7	0169	074			9130	1986	T		S2	26766201003	000000 LEXINGTON	WALTHAM	1	S		25,000	SODIUM								
K7	0169	076			9130	1986	T		S2	26766201003	000000 LEXINGTON	WALTHAM	1	S		25,000	SODIUM								
K7	0169	077			9130	1986	T		S2	26766201003	000000 LEXINGTON	WALTHAM	1	S		25,000	SODIUM								
K7	0169	079			9130	1986	T		S2	26766201003	000000 LEXINGTON	WALTHAM	1	S		25,000	SODIUM								
K7	0169	080			9130	1986	T		S2	26766201003	000000 LEXINGTON	WALTHAM	1	S		25,000	SODIUM								
K7	0169	082			9130	1986	T		S2	26766201003	000000 LEXINGTON	WALTHAM	1	S		25,000	SODIUM								
K7	0169	083			9130	1989	T		S2	26766201003	000000 LEXINGTON	WALTHAM	1	S		25,000	SODIUM								
K7	0169	084			9130	1986	T		S2	26766201003	000000 LEXINGTON	WALTHAM	1	S		25,000	SODIUM								
K7	0169	087			9130	1989	T		S2	26766201003	000000 LEXINGTON	WALTHAM	1	S		45,000	SODIUM								
K7	0169	089			9130	1986	T		S2	26766201003	000000 LEXINGTON	WALTHAM	1	S		25,000	SODIUM								
K7	0169	090			9130	1993	T		S2	26766201003	000000 LEXINGTON	WALTHAM	1	S		25,000	SODIUM								
K7	0169	091			9130	1986	T		S2	26766201003	000000 LEXINGTON	WALTHAM	1	S		25,000	SODIUM								
K7	0169	093			9130	1986	T		S2	26766201003	000000 LEXINGTON	WALTHAM	1	S		25,000	SODIUM								
K7	0169	095			9130	1986	T		S2	26766201003	000000 LEXINGTON	WALTHAM	1	S		25,000	SODIUM								
K7	0169	097			9130	1986	T		S2	26766201003	000000 LEXINGTON	WALTHAM	1	S		25,000	SODIUM								
K7	0169	099			9130	1986	T		S2	26766201003	000000 LEXINGTON	WALTHAM	1	S		25,000	SODIUM								
K7	0169	101			9130	1986	T		S2	26766201003	000000 LEXINGTON	WALTHAM	1	S		25,000	SODIUM								
K7	0169	103			9130	1986	T		S2	26766201003	000000 LEXINGTON	WALTHAM	1	S		25,000	SODIUM								
K7	0169	105			9130	1986	T		S2	26766201003	000000 LEXINGTON	WALTHAM	1	S		25,000	SODIUM								
K7	0169	107			9130	1986	T		S2	26766201003	000000 LEXINGTON	WALTHAM	1	S		25,000	SODIUM								
K7	0169	109			9130	1986	T		S2	26766201003	000000 LEXINGTON	WALTHAM	1	S		25,000	SODIUM								
K7	0169	111			9130	1986	T		S2	26766201003	000000 LEXINGTON	WALTHAM	1	S		25,000	SODIUM								
K7	0169	113			9130	1986	T		S2	26766201003	000000 LEXINGTON	WALTHAM	1	S		25,000	SODIUM								
K7	0169	115			9130	1986	T		S2	26766201003	000000 LEXINGTON	WALTHAM	1	S		25,000	SODIUM								
K7	0169	117			9130	1986	T		S2	26766201003	000000 LEXINGTON	WALTHAM	1	S		25,000	SODIUM								
K7	0169	119			9130	1986	T		S2	26766201003	001077 LEXINGTON	WALTHAM	1	S		25,000	SODIUM								
K7	0169	121			9130	1986	T		S2	26766201003	001093 LEXINGTON	WALTHAM	1	S		25,000	SODIUM								
K7	0169	122			9130	1986	T		S2	26766201003	000000 LEXINGTON	WALTHAM	1	S		25,000	SODIUM								
K7	0170	002			0000	2012	T		S2	26766201003	000000 LEXINGTON	WALTHAM	1	D		1,688	LED								
K7	0170	004			0000	2012	T		S2	26766201003	000000 LEXINGTON	WALTHAM	1	D		1,688	LED								
K7	0171	001			9130	1992	T		S2	26766201003	000000 LAKEVIEW	WALTHAM	1	S		9,500	SODIUM								
K7	0171	002			9130	1992	T		S2	26766201003	000000 RIVER	WALTHAM	1	S		16,000	SODIUM								
K7	0171	003			9130	1992	T		S2	26766201003	000000 LAKEVIEW	WALTHAM	1	S		9,500	SODIUM								
K7	0171	005		1	9130	1992	T		S2	26766201003	000000 LAKEVIEW	WALTHAM	1	S		9,500	SODIUM								
K7	0171	005		2	9130	1992	T		S2	26766201003	000000 RIVER	WALTHAM	1	S		16,000	SODIUM								
K7	0171	006			9130	1992	T		S2	26766201003	000000 RIVER	WALTHAM	1	S		16,000	SODIUM								
K7	0171	007		1	9130	1992	T		S2	26766201003	000000 LAKEVIEW	WALTHAM	1	S		9,500	SODIUM								
K7	0171	007		2	9130	1992	T		S2	26766201003	000000 RIVER	WALTHAM	1	S		16,000	SODIUM								
K7	0171	009		1	9130	1992	T		S2	26766201003	000000 LAKEVIEW	WALTHAM	1	S		9,500	SODIUM								
K7	0171	009		2	9130	1992	T		S2	26766201003	000000 RIVER	WALTHAM	1	S		16,000	SODIUM								
K7	0171	011			9130	1992	T		S2	26766201003	000000 LAKEVIEW	WALTHAM	1	S		9,500	SODIUM								
K7	0172	002			9130	1992	T		S2	26766201003	000000 LINCOLN	WALTHAM	1	S		9,500	SODIUM								
K7	0172	004			9130	1992	T		S2	26766201003	000000 LINCOLN	WALTHAM	1	S		9,500	SODIUM								

CODE										LOCATION			EXISTING FIXTURE TYPE					PROPOSED FIXTURE TYPE				ENERGY SAVINGS		Comments	
TD	Route	Item	F	SF	Unit	Vint	CC	SM	S2	Account	ADDRESS	CITY	Qty	FT	LT	LUMENS	FT Description	Watts	Qty	FT Description	Lumens	Watts	kW Savings		kWh Savings
K7	0172	006			9130	1992	T		S2	26766201003	000000 LINCOLN	WALTHAM	1	S		9,500	SODIUM								
K7	0172	008			9130	1992	T		S2	26766201003	000000 LINCOLN	WALTHAM	1	S		9,500	SODIUM								
K7	0172	009			9130	1992	T		S2	26766201003	000000 LINCOLN	WALTHAM	1	S		9,500	SODIUM								
K7	0172	011			9130	1992	T		S2	26766201003	000000 LINCOLN	WALTHAM	1	S		9,500	SODIUM								
K7	0172	014			9130	1992	T		S2	26766201003	000000 LINCOLN	WALTHAM	1	S		9,500	SODIUM								
K7	0172	016			9130	1992	T		S2	26766201003	000000 LINCOLN	WALTHAM	1	S		9,500	SODIUM								
K7	0172	017			9130	1992	T		S2	26766201003	000000 LINCOLN	WALTHAM	1	S		9,500	SODIUM								
K7	0172	018			9130	1992	T		S2	26766201003	000000 LINCOLN	WALTHAM	1	S		9,500	SODIUM								
K7	0172	020			9130	1992	T		S2	26766201003	000000 LINCOLN	WALTHAM	1	S		9,500	SODIUM								
K7	0172	022			9130	1992	T		S2	26766201003	000000 LINCOLN	WALTHAM	1	S		9,500	SODIUM								
K7	0172	024			9130	1992	T		S2	26766201003	000000 LINCOLN	WALTHAM	1	S		9,500	SODIUM								
K7	0172	026			9130	1992	T		S2	26766201003	000000 LINCOLN	WALTHAM	1	S		9,500	SODIUM								
K7	0172	028			9130	1992	T		S2	26766201003	000000 LINCOLN	WALTHAM	1	S		9,500	SODIUM								
K7	0172	029			9130	1992	T		S2	26766201003	000000 LINCOLN	WALTHAM	1	S		9,500	SODIUM								
K7	0172	031			9130	1992	T		S2	26766201003	000000 LINCOLN	WALTHAM	1	S		9,500	SODIUM								
K7	0172	033			9130	1992	T		S2	26766201003	000000 LINCOLN	WALTHAM	1	S		9,500	SODIUM								
K7	0172	036			9130	1992	T		S2	26766201003	000000 LINCOLN	WALTHAM	1	S		9,500	SODIUM								
K7	0172	038			9130	1992	T		S2	26766201003	000000 LINCOLN	WALTHAM	1	S		9,500	SODIUM								
K7	0172	040			9130	1992	T		S2	26766201003	000000 LINCOLN	WALTHAM	1	S		9,500	SODIUM								
K7	0172	042			9130	1992	T		S2	26766201003	000000 LINCOLN	WALTHAM	1	S		9,500	SODIUM								
K7	0172	044			9130	1992	T		S2	26766201003	000000 LINCOLN	WALTHAM	1	S		9,500	SODIUM								
K7	0172	046			9130	1992	T		S2	26766201003	000000 LINCOLN	WALTHAM	1	S		9,500	SODIUM								
K7	0172	048			9130	1992	T		S2	26766201003	000000 LINCOLN	WALTHAM	1	S		9,500	SODIUM								
K7	0172	050			9130	1992	T		S2	26766201003	000000 LINCOLN	WALTHAM	1	S		9,500	SODIUM								
K7	0172	052			9130	1992	T		S2	26766201003	000000 LINCOLN	WALTHAM	1	S		9,500	SODIUM								
K7	0172	054			9130	1992	T		S2	26766201003	000000 LINCOLN	WALTHAM	1	S		9,500	SODIUM								
K7	0172	056			9130	1992	T		S2	26766201003	000000 LINCOLN	WALTHAM	1	S		9,500	SODIUM								
K7	0172	058			9130	1992	T		S2	26766201003	000000 LINCOLN	WALTHAM	1	S		9,500	SODIUM								
K7	0172	059			9130	1992	T		S2	26766201003	000000 LINCOLN	WALTHAM	1	S		9,500	SODIUM								
K7	0172	061			9130	1992	T		S2	26766201003	000000 LINCOLN	WALTHAM	1	S		9,500	SODIUM								
K7	0172	063			9130	1992	T		S2	26766201003	000000 LINCOLN	WALTHAM	1	S		9,500	SODIUM								
K7	0172	065			9130	1992	T		S2	26766201003	000000 LINCOLN	WALTHAM	1	S		9,500	SODIUM								
K7	0172	068			9130	1992	T		S2	26766201003	000000 LINCOLN	WALTHAM	1	S		9,500	SODIUM								
K7	0172	070			9130	1992	T		S2	26766201003	000000 LINCOLN	WALTHAM	1	S		9,500	SODIUM								
K7	0172	072			9130	1992	T		S2	26766201003	000000 LINCOLN	WALTHAM	1	S		9,500	SODIUM								
K7	0172	075			9130	1992	T		S2	26766201003	000000 LINCOLN	WALTHAM	1	S		9,500	SODIUM								
K7	0172	077			9130	1992	T		S2	26766201003	000000 LINCOLN	WALTHAM	1	S		9,500	SODIUM								
K7	0172	079			9130	1992	T		S2	26766201003	000000 LINCOLN	WALTHAM	1	S		9,500	SODIUM								
K7	0172	081			9130	1992	T		S2	26766201003	000000 LINCOLN	WALTHAM	1	S		9,500	SODIUM								
K7	0172	083			9130	1992	T		S2	26766201003	000000 LINCOLN	WALTHAM	1	S		9,500	SODIUM								
K7	0172	085			9130	1992	T		S2	26766201003	000000 LINCOLN	WALTHAM	1	S		9,500	SODIUM								
K7	0172	095			9130	1992	T		S2	26766201003	000000 LINCOLN	WALTHAM	1	S		9,500	SODIUM								
K7	0172	096			9130	1992	T		S2	26766201003	000000 LINCOLN	WALTHAM	1	S		9,500	SODIUM								
K7	0173	002			9130	1992	T		S2	26766201003	000000 PRINCETON	WALTHAM	1	S		9,500	SODIUM								
K7	0173	003			9130	1992	T		S2	26766201003	000000 PRINCETON	WALTHAM	1	S		9,500	SODIUM								
K7	0173	004			9130	1989	T		S2	26766201003	000000 WHITCOMB	WALTHAM	1	S		9,500	SODIUM								
K7	0173	005			9130	1992	T		S2	26766201003	000000 PRINCETON	WALTHAM	1	S		9,500	SODIUM								
K7	0173	007			9130	1992	T		S2	26766201003	000000 PRINCETON	WALTHAM	1	S		9,500	SODIUM								
K7	0173	009			9130	1992	T		S2	26766201003	000000 PRINCETON	WALTHAM	1	S		9,500	SODIUM								
K7	0173	011			9130	1992	T		S2	26766201003	000000 PRINCETON	WALTHAM	1	S		9,500	SODIUM								

CODE										LOCATION			EXISTING FIXTURE TYPE					PROPOSED FIXTURE TYPE				ENERGY SAVINGS		Comments	
TD	Route	Item	F	SF	Unit	Vint	CC	SM	S2	Account	ADDRESS	CITY	Qty	FT	LT	LUMENS	FT Description	Watts	Qty	FT Description	Lumens	Watts	kW Savings		kWh Savings
K7	0173	013			9130	1992	T		S2	26766201003	000000 PRINCETON	WALTHAM	1	S		9,500	SODIUM								
K7	0173	015			9130	1992	T		S2	26766201003	000000 PRINCETON	WALTHAM	1	S		9,500	SODIUM								
K7	0173	018			9130	1992	T		S2	26766201003	000000 PRINCETON	WALTHAM	1	S		9,500	SODIUM								
K7	0173	019			9130	1992	T		S2	26766201003	000000 PRINCETON	WALTHAM	1	S		9,500	SODIUM								
K7	0173	021			9130	1992	T		S2	26766201003	000000 PRINCETON	WALTHAM	1	S		9,500	SODIUM								
K7	0173	023			9130	1992	T		S2	26766201003	000000 PRINCETON	WALTHAM	1	S		9,500	SODIUM								
K7	0174	001			9130	1988	T		S2	26766201003	000000 LINDEN	WALTHAM	1	S		16,000	SODIUM								
K7	0174	002			9130	1991	T		S2	26766201003	000000 LINDEN	WALTHAM	1	S		16,000	SODIUM								
K7	0174	003			9130	1988	T		S2	26766201003	000000 LINDEN	WALTHAM	1	S		16,000	SODIUM								
K7	0174	005			9130	1988	T		S2	26766201003	000000 LINDEN	WALTHAM	1	S		16,000	SODIUM								
K7	0174	008			9130	1988	T		S2	26766201003	000000 LINDEN	WALTHAM	1	S		16,000	SODIUM								
K7	0174	009			9130	1988	T		S2	26766201003	000000 LINDEN	WALTHAM	1	S		16,000	SODIUM								
K7	0174	010			9130	1988	T		S2	26766201003	000000 LINDEN	WALTHAM	1	S		16,000	SODIUM								
K7	0174	011			9130	1988	T		S2	26766201003	000097 LINDEN	WALTHAM	1	S		16,000	SODIUM								
K7	0174	012			9130	1988	T		S2	26766201003	000000 LINDEN	WALTHAM	1	S		16,000	SODIUM								
K7	0174	013			9130	1988	T		S2	26766201003	000000 LINDEN	WALTHAM	1	S		16,000	SODIUM								
K7	0174	014			9130	1988	T		S2	26766201003	000000 LINDEN	WALTHAM	1	S		16,000	SODIUM								
K7	0174	015			9130	1988	T		S2	26766201003	000000 LINDEN	WALTHAM	1	S		16,000	SODIUM								
K7	0174	019			9130	1988	T		S2	26766201003	000000 LINDEN	WALTHAM	1	S		16,000	SODIUM								
K7	0174	020			9130	1988	T		S2	26766201003	000000 LINDEN	WALTHAM	1	S		16,000	SODIUM								
K7	0174	021			9130	1988	T		S2	26766201003	000000 LINDEN	WALTHAM	1	S		16,000	SODIUM								
K7	0174	022			9130	1988	T		S2	26766201003	000000 LINDEN	WALTHAM	1	S		16,000	SODIUM								
K7	0174	023			9130	1988	T		S2	26766201003	000000 LINDEN	WALTHAM	1	S		16,000	SODIUM								
K7	0174	025			9130	1988	T		S2	26766201003	000000 LINDEN	WALTHAM	1	S		16,000	SODIUM								
K7	0174	027			9130	1988	T		S2	26766201003	000000 LINDEN	WALTHAM	1	S		16,000	SODIUM								
K7	0174	030			9130	1988	T		S2	26766201003	000000 LINDEN	WALTHAM	1	S		16,000	SODIUM								
K7	0174	032			9130	1988	T		S2	26766201003	000000 LINDEN	WALTHAM	1	S		16,000	SODIUM								
K7	0174	034			9130	1988	T		S2	26766201003	000000 LINDEN	WALTHAM	1	S		16,000	SODIUM								
K7	0174	036			9130	1991	T		S2	26766201003	000000 LINDEN	WALTHAM	1	S		16,000	SODIUM								
K7	0175	007			9130	1991	T		S2	26766201003	000000 PINE HILL	WALTHAM	1	S		9,500	SODIUM								
K7	0175	009			9130	1991	T		S2	26766201003	000000 PINE HILL	WALTHAM	1	S		9,500	SODIUM								
K7	0175	011			9130	1991	T		S2	26766201003	000000 PINE HILL	WALTHAM	1	S		9,500	SODIUM								
K7	0175	013			9130	1991	T		S2	26766201003	000000 PINE HILL	WALTHAM	1	S		9,500	SODIUM								
K7	0175	015			9130	1991	T		S2	26766201003	000000 PINE HILL	WALTHAM	1	S		9,500	SODIUM								
K7	0175	017			9130	1991	T		S2	26766201003	000000 PINE HILL	WALTHAM	1	S		9,500	SODIUM								
K7	0175	019			9130	1991	T		S2	26766201003	000000 PINE HILL	WALTHAM	1	S		9,500	SODIUM								
K7	0175	021			9130	1991	T		S2	26766201003	000000 PINE HILL	WALTHAM	1	S		9,500	SODIUM								
K7	0175	023			9130	1991	T		S2	26766201003	000000 PINE HILL	WALTHAM	1	S		9,500	SODIUM								
K7	0175	025			9130	1991	T		S2	26766201003	000000 PINE HILL	WALTHAM	1	S		9,500	SODIUM								
K7	0175	027			9130	1991	T		S2	26766201003	000000 PINE HILL	WALTHAM	1	S		9,500	SODIUM								
K7	0175	028			9130	1991	T		S2	26766201003	000000 PINE HILL	WALTHAM	1	S		9,500	SODIUM								
K7	0175	030			9130	1991	T		S2	26766201003	000000 PINE HILL	WALTHAM	1	S		9,500	SODIUM								
K7	0175	032			9130	1991	T		S2	26766201003	000000 PINE HILL	WALTHAM	1	S		9,500	SODIUM								
K7	0175	034			9130	1991	T		S2	26766201003	000000 PINE HILL	WALTHAM	1	S		9,500	SODIUM								
K7	0175	035			9130	1991	T		S2	26766201003	000000 PINE HILL	WALTHAM	1	S		9,500	SODIUM								
K7	0176	001			9130	1991	T		S2	26766201003	000000 HILLCREST	WALTHAM	1	S		9,500	SODIUM								
K7	0176	002			9130	1991	T		S2	26766201003	000000 ENDICOTT	WALTHAM	1	S		9,500	SODIUM								
K7	0176	003			9130	1991	T		S2	26766201003	000000 HILLCREST	WALTHAM	1	S		9,500	SODIUM								
K7	0176	007			9130	1991	T		S2	26766201003	000000 HILLCREST	WALTHAM	1	S		9,500	SODIUM								
K7	0176	009			9130	1991	T		S2	26766201003	000000 HILLCREST	WALTHAM	1	S		9,500	SODIUM								

CODE										LOCATION			EXISTING FIXTURE TYPE					PROPOSED FIXTURE TYPE				ENERGY SAVINGS		Comments	
TD	Route	Item	F	SF	Unit	Vint	CC	SM	S2	Account	ADDRESS	CITY	Qty	FT	LT	LUMENS	FT Description	Watts	Qty	FT Description	Lumens	Watts	kW Savings		kWh Savings
K7	0176	011			9130	1991	T		S2	26766201003	000000 HILLCREST	WALTHAM	1	S		9,500	SODIUM								
K7	0176	013			9130	1991	T		S2	26766201003	000000 HILLCREST	WALTHAM	1	S		9,500	SODIUM								
K7	0177	001			9130	1988	T		S2	26766201003	000000 COLLEGE FARM	WALTHAM	1	S		9,500	SODIUM								
K7	0177	002			9130	1988	T		S2	26766201003	000000 LOWELL	WALTHAM	1	S		9,500	SODIUM								
K7	0177	003			9130	1988	T		S2	26766201003	000000 COLLEGE FARM	WALTHAM	1	S		9,500	SODIUM								
K7	0177	004		1	9130	1988	T		S2	26766201003	000000 COLLEGE FARM	WALTHAM	1	S		9,500	SODIUM								
K7	0177	004		2	9130	1988	T		S2	26766201003	000000 LOWELL	WALTHAM	1	S		9,500	SODIUM								
K7	0177	005			9130	1988	T		S2	26766201003	000000 COLLEGE FARM	WALTHAM	1	S		9,500	SODIUM								
K7	0177	006			9130	1988	T		S2	26766201003	000000 LOWELL	WALTHAM	1	S		9,500	SODIUM								
K7	0177	007		1	9130	1988	T		S2	26766201003	000000 COLLEGE FARM	WALTHAM	1	S		9,500	SODIUM								
K7	0177	007		2	9130	1988	T		S2	26766201003	000000 LOWELL	WALTHAM	1	S		9,500	SODIUM								
K7	0177	009		1	9130	1988	T		S2	26766201003	000000 COLLEGE FARM	WALTHAM	1	S		9,500	SODIUM								
K7	0177	009		2	9130	1988	T		S2	26766201003	000000 LOWELL	WALTHAM	1	S		9,500	SODIUM								
K7	0177	011		1	9130	1988	T		S2	26766201003	000000 COLLEGE FARM	WALTHAM	1	S		9,500	SODIUM								
K7	0177	011		2	9130	1988	T		S2	26766201003	000000 LOWELL	WALTHAM	1	S		9,500	SODIUM								
K7	0177	012			9130	1988	T		S2	26766201003	000000 COLLEGE FARM	WALTHAM	1	S		9,500	SODIUM								
K7	0177	013		1	9130	1988	T		S2	26766201003	000000 COLLEGE FARM	WALTHAM	1	S		9,500	SODIUM								
K7	0177	013		2	9130	1988	T		S2	26766201003	000000 LOWELL	WALTHAM	1	S		9,500	SODIUM								
K7	0177	014		1	9130	1988	T		S2	26766201003	000000 COLLEGE FARM	WALTHAM	1	S		16,000	SODIUM								
K7	0177	014		2	9130	1988	T		S2	26766201003	000000 LOWELL	WALTHAM	1	S		9,500	SODIUM								
K7	0177	015		1	9130	1988	T		S2	26766201003	000000 COLLEGE FARM	WALTHAM	1	S		9,500	SODIUM								
K7	0177	015		2	9130	1988	T		S2	26766201003	000000 LOWELL	WALTHAM	1	S		9,500	SODIUM								
K7	0177	016			9130	1988	T		S2	26766201003	000000 COLLEGE FARM	WALTHAM	1	S		16,000	SODIUM								
K7	0177	017		1	9130	1988	T		S2	26766201003	000000 COLLEGE FARM	WALTHAM	1	S		16,000	SODIUM								
K7	0177	017		2	9130	1988	T		S2	26766201003	000000 LOWELL	WALTHAM	1	S		9,500	SODIUM								
K7	0177	019			9130	1988	T		S2	26766201003	000000 COLLEGE FARM	WALTHAM	1	S		9,500	SODIUM								
K7	0177	020		1	9130	1988	T		S2	26766201003	000000 COLLEGE FARM	WALTHAM	1	S		9,500	SODIUM								
K7	0177	020		2	9130	1988	T		S2	26766201003	000000 LOWELL	WALTHAM	1	S		9,500	SODIUM								
K7	0177	022		1	9130	1988	T		S2	26766201003	000000 COLLEGE FARM	WALTHAM	1	S		9,500	SODIUM								
K7	0177	022		2	9130	1988	T		S2	26766201003	000000 LOWELL	WALTHAM	1	S		9,500	SODIUM								
K7	0177	024		1	9130	1988	T		S2	26766201003	000000 COLLEGE FARM	WALTHAM	1	S		9,500	SODIUM								
K7	0177	024		2	9130	1988	T		S2	26766201003	000000 LOWELL	WALTHAM	1	S		9,500	SODIUM								
K7	0177	025			9130	1988	T		S2	26766201003	000000 COLLEGE FARM	WALTHAM	1	S		9,500	SODIUM								
K7	0177	026			9130	1988	T		S2	26766201003	000000 LOWELL	WALTHAM	1	S		9,500	SODIUM								
K7	0177	027			9130	1988	T		S2	26766201003	000000 COLLEGE FARM	WALTHAM	1	S		9,500	SODIUM								
K7	0177	028			9130	1988	T		S2	26766201003	000000 LOWELL	WALTHAM	1	S		9,500	SODIUM								
K7	0177	029			9130	1988	T		S2	26766201003	000000 COLLEGE FARM	WALTHAM	1	S		9,500	SODIUM								
K7	0177	030			9130	1988	T		S2	26766201003	000000 LOWELL	WALTHAM	1	S		9,500	SODIUM								
K7	0177	031			9130	1988	T		S2	26766201003	000000 COLLEGE FARM	WALTHAM	1	S		9,500	SODIUM								
K7	0177	032			9130	1988	T		S2	26766201003	000000 LOWELL	WALTHAM	1	S		9,500	SODIUM								
K7	0177	033		1	9130	1988	T		S2	26766201003	000000 COLLEGE FARM	WALTHAM	1	S		9,500	SODIUM								
K7	0177	033		2	9130	1988	T		S2	26766201003	000000 COLLEGE FARM	WALTHAM	1	S		9,500	SODIUM								
K7	0177	033		3	9130	1988	T		S2	26766201003	000000 COLLEGE FARM	WALTHAM	1	S		9,500	SODIUM								
K7	0177	035			9130	1988	T		S2	26766201003	000000 COLLEGE FARM	WALTHAM	1	S		9,500	SODIUM								
K7	0177	037			9130	1988	T		S2	26766201003	000000 COLLEGE FARM	WALTHAM	1	S		9,500	SODIUM								
K7	0178	001			9130	1991	T		S2	26766201003	000000 MACKS	WALTHAM	1	S		9,500	SODIUM								
K7	0179	002			9130	1991	T		S2	26766201003	000000 LUNDA	WALTHAM	1	S		9,500	SODIUM								
K7	0179	003			9130	1991	T		S2	26766201003	000000 ODE	WALTHAM	1	S		9,500	SODIUM								
K7	0179	004			9130	1991	T		S2	26766201003	000000 LUNDA	WALTHAM	1	S		9,500	SODIUM								
K7	0179	006			9130	1991	T		S2	26766201003	000000 LUNDA	WALTHAM	1	S		9,500	SODIUM								

CODE										LOCATION			EXISTING FIXTURE TYPE					PROPOSED FIXTURE TYPE				ENERGY SAVINGS		Comments	
TD	Route	Item	F	SF	Unit	Vint	CC	SM	S2	Account	ADDRESS	CITY	Qty	FT	LT	LUMENS	FT Description	Watts	Qty	FT Description	Lumens	Watts	kW Savings		kWh Savings
K7	0179	007			9130	1991	T		S2	26766201003	000000 LUNDA	WALTHAM	1	S		9,500	SODIUM								
K7	0179	009			9130	1991	T		S2	26766201003	000000 LUNDA	WALTHAM	1	S		9,500	SODIUM								
K7	0179	011			9130	1991	T		S2	26766201003	000000 LUNDA	WALTHAM	1	S		9,500	SODIUM								
K7	0179	013			9130	1991	T		S2	26766201003	000000 LUNDA	WALTHAM	1	S		9,500	SODIUM								
K7	0180	002			9130	1988	T		S2	26766201003	000000 LYMAN	WALTHAM	1	S		9,500	SODIUM								
K7	0180	004			9130	1988	T		S2	26766201003	000000 LYMAN	WALTHAM	1	S		9,500	SODIUM								
K7	0180	005			9130	1988	T		S2	26766201003	000000 LYMAN	WALTHAM	1	S		9,500	SODIUM								
K7	0180	008			9130	1988	T		S2	26766201003	000000 LYMAN	WALTHAM	1	S		9,500	SODIUM								
K7	0180	009			9130	1988	T		S2	26766201003	000000 LYMAN	WALTHAM	1	S		9,500	SODIUM								
K7	0180	011			9130	1988	T		S2	26766201003	000000 LYMAN	WALTHAM	1	S		9,500	SODIUM								
K7	0180	013			9130	1988	T		S2	26766201003	000000 LYMAN	WALTHAM	1	S		9,500	SODIUM								
K7	0180	015			9130	1988	T		S2	26766201003	000000 LYMAN	WALTHAM	1	S		9,500	SODIUM								
K7	0180	017			9130	1988	T		S2	26766201003	000000 LYMAN	WALTHAM	1	S		9,500	SODIUM								
K7	0180	018			9130	1988	T		S2	26766201003	000000 LYMAN	WALTHAM	1	S		9,500	SODIUM								
K7	0180	019			9130	1988	T		S2	26766201003	000000 LYMAN	WALTHAM	1	S		9,500	SODIUM								
K7	0181	001			9130	1989	T		S2	26766201003	000000 WELLINGTON	WALTHAM	1	S		9,500	SODIUM								
K7	0182	001			9130	1991	T		S2	26766201003	000000 EDWIN	WALTHAM	1	S		9,500	SODIUM								
K7	0182	002			0000	2012	T		S2	26766201003	000000 WAMSUTTA	WALTHAM	1	D		1,688	LED								
K7	0182	003			9130	1991	T		S2	26766201003	000000 EDWIN	WALTHAM	1	S		9,500	SODIUM								
K7	0182	004			0000	2012	T		S2	26766201003	000000 WAMSUTTA	WALTHAM	1	D		1,688	LED								
K7	0182	005			9130	1991	T		S2	26766201003	000000 EDWIN	WALTHAM	1	S		9,500	SODIUM								
K7	0182	006			0000	2012	T		S2	26766201003	000000 WAMSUTTA	WALTHAM	1	D		1,688	LED								
K7	0182	008			9130	1991	T		S2	26766201003	000000 EDWIN	WALTHAM	1	S		9,500	SODIUM								
K7	0182	010			9130	1991	T		S2	26766201003	000000 EDWIN	WALTHAM	1	S		9,500	SODIUM								
K7	0183	001			9130	1987	T		S2	26766201003	000000 MAIN	WALTHAM	1	S		25,000	SODIUM								
K7	0183	002			9130	1987	T		S2	26766201003	000000 MAIN	WALTHAM	1	S		25,000	SODIUM								
K7	0183	003		1	9130	1987	T		S2	26766201003	000000 MAIN	WALTHAM	1	S		25,000	SODIUM								
K7	0183	003		2	9130	1993	T		S2	26766201003	000000 SEMINOLE	WALTHAM	1	S		9,500	SODIUM								
K7	0183	004			9130	1993	T		S2	26766201003	000000 SEMINOLE	WALTHAM	1	S		9,500	SODIUM								
K7	0183	005			9130	1987	T		S2	26766201003	000000 MAIN	WALTHAM	1	S		25,000	SODIUM								
K7	0183	006			9130	1987	T		S2	26766201003	000000 MAIN	WALTHAM	1	S		25,000	SODIUM								
K7	0183	008		1	9130	1987	T		S2	26766201003	000000 MAIN	WALTHAM	1	S		25,000	SODIUM								
K7	0183	008		2	9130	1993	T		S2	26766201003	000000 SEMINOLE	WALTHAM	1	S		9,500	SODIUM								
K7	0183	009			9130	1987	T		S2	26766201003	000000 MAIN	WALTHAM	1	S		25,000	SODIUM								
K7	0183	010		1	9130	1987	T		S2	26766201003	000000 MAIN	WALTHAM	1	S		25,000	SODIUM								
K7	0183	010		2	9130	1993	T		S2	26766201003	000000 SEMINOLE	WALTHAM	1	S		9,500	SODIUM								
K7	0183	011			9130	1987	T		S2	26766201003	000000 MAIN	WALTHAM	1	S		25,000	SODIUM								
K7	0183	012		1	9130	1987	T		S2	26766201003	000000 MAIN	WALTHAM	1	S		25,000	SODIUM								
K7	0183	012		2	9130	1993	T		S2	26766201003	000000 SEMINOLE	WALTHAM	1	S		9,500	SODIUM								
K7	0183	013			9130	1987	T		S2	26766201003	000000 MAIN	WALTHAM	1	S		25,000	SODIUM								
K7	0183	014		1	9130	1987	T		S2	26766201003	000000 MAIN	WALTHAM	1	S		25,000	SODIUM								
K7	0183	014		2	9130	1993	T		S2	26766201003	000000 SEMINOLE	WALTHAM	1	S		9,500	SODIUM								
K7	0183	015			9130	1987	T		S2	26766201003	000000 MAIN	WALTHAM	1	S		25,000	SODIUM								
K7	0183	016		1	9130	1987	T		S2	26766201003	000000 MAIN	WALTHAM	1	S		25,000	SODIUM								
K7	0183	016		2	9130	1993	T		S2	26766201003	000000 SEMINOLE	WALTHAM	1	S		9,500	SODIUM								
K7	0183	018			9130	1987	T		S2	26766201003	000000 MAIN	WALTHAM	1	S		25,000	SODIUM								
K7	0183	019			9130	1993	T		S2	26766201003	000000 SEMINOLE	WALTHAM	1	S		9,500	SODIUM								
K7	0183	020			9130	1987	T		S2	26766201003	000000 MAIN	WALTHAM	1	S		25,000	SODIUM								
K7	0183	021			9130	1993	T		S2	26766201003	000000 SEMINOLE	WALTHAM	1	S		9,500	SODIUM								
K7	0183	022			9130	1987	T		S2	26766201003	000000 MAIN	WALTHAM	1	S		25,000	SODIUM								

CODE										LOCATION			EXISTING FIXTURE TYPE					PROPOSED FIXTURE TYPE				ENERGY SAVINGS		Comments
TD	Route	Item	F	SF	Unit	Vint	CC	SM	S2	Account	ADDRESS	CITY	Qty	FT	LT	LUMENS	FT Description	Watts	Qty	FT Description	Lumens	Watts	kW Savings	
K7	0183	023			9130	1993	T		S2	26766201003	000000 SEMINOLE	WALTHAM	1	S		9,500	SODIUM							
K7	0183	024		1	9130	1987	T		S2	26766201003	000000 MAIN	WALTHAM	1	S		25,000	SODIUM							
K7	0183	024		2	9130	1993	T		S2	26766201003	000000 SEMINOLE	WALTHAM	1	S		9,500	SODIUM							
K7	0183	025			9130	1987	T		S2	26766201003	000000 MAIN	WALTHAM	1	S		25,000	SODIUM							
K7	0183	026			9130	1987	T		S2	26766201003	000000 MAIN	WALTHAM	1	S		25,000	SODIUM							
K7	0183	027			9130	1987	T		S2	26766201003	000000 MAIN	WALTHAM	1	S		25,000	SODIUM							
K7	0183	028			9130	1987	T		S2	26766201003	000000 MAIN	WALTHAM	1	S		25,000	SODIUM							
K7	0183	029			9130	1987	T		S2	26766201003	000000 MAIN	WALTHAM	1	S		25,000	SODIUM							
K7	0183	030			9130	1987	T		S2	26766201003	000000 MAIN	WALTHAM	1	S		25,000	SODIUM							
K7	0183	031			9130	1993	T		S2	26766201003	000000 SEMINOLE	WALTHAM	1	S		9,500	SODIUM							
K7	0183	032			9130	1987	T		S2	26766201003	000000 MAIN	WALTHAM	1	S		25,000	SODIUM							
K7	0183	033		1	9130	1987	T		S2	26766201003	000000 MAIN	WALTHAM	1	S		25,000	SODIUM							
K7	0183	033		2	9130	1987	T		S2	26766201003	000000 MAIN	WALTHAM	1	S		25,000	SODIUM							
K7	0183	033		3	9130	1993	T		S2	26766201003	000000 SEMINOLE	WALTHAM	1	S		9,500	SODIUM							
K7	0183	045			9130	1988	T		S2	26766201003	000000 MAIN	WALTHAM	1	S		25,000	SODIUM							
K7	0183	046			9130	1988	T		S2	26766201003	000000 MAIN	WALTHAM	1	S		25,000	SODIUM							
K7	0183	047			9130	1988	T		S2	26766201003	000000 MAIN	WALTHAM	1	S		25,000	SODIUM							
K7	0183	048			9130	1988	T		S2	26766201003	000000 MAIN	WALTHAM	1	S		25,000	SODIUM							
K7	0183	050			9130	1988	T		S2	26766201003	000000 MAIN	WALTHAM	1	S		25,000	SODIUM							
K7	0183	051			9130	1988	T		S2	26766201003	000000 MAIN	WALTHAM	1	S		25,000	SODIUM							
K7	0183	052			9130	1988	T		S2	26766201003	000000 MAIN	WALTHAM	1	S		25,000	SODIUM							
K7	0183	053			9130	1988	T		S2	26766201003	000476 MAIN	WALTHAM	1	S		25,000	SODIUM							
K7	0183	054			9130	1988	T		S2	26766201003	000000 MAIN	WALTHAM	1	S		25,000	SODIUM							
K7	0183	055			9130	1988	T		S2	26766201003	000000 MAIN	WALTHAM	1	S		25,000	SODIUM							
K7	0183	102			9130	1988	T		S2	26766201003	000000 MAIN	WALTHAM	1	S		25,000	SODIUM							
K7	0183	103			9130	1988	T		S2	26766201003	000000 MAIN	WALTHAM	1	S		25,000	SODIUM							
K7	0183	104			9130	1988	T		S2	26766201003	000000 MAIN	WALTHAM	1	S		25,000	SODIUM							
K7	0183	105			9130	1988	T		S2	26766201003	000000 MAIN	WALTHAM	1	S		25,000	SODIUM							
K7	0183	106			9130	1987	T		S2	26766201003	000000 MAIN	WALTHAM	1	S		25,000	SODIUM							
K7	0183	107			9130	1987	T		S2	26766201003	000000 MAIN	WALTHAM	1	S		25,000	SODIUM							
K7	0183	108			9130	1987	T		S2	26766201003	000000 MAIN	WALTHAM	1	S		25,000	SODIUM							
K7	0183	109			9130	1987	T		S2	26766201003	000000 MAIN	WALTHAM	1	S		25,000	SODIUM							
K7	0183	110			9130	1987	T		S2	26766201003	000000 MAIN	WALTHAM	1	S		25,000	SODIUM							
K7	0183	111			9130	1987	T		S2	26766201003	000000 MAIN	WALTHAM	1	S		25,000	SODIUM							
K7	0183	112			9130	1987	T		S2	26766201003	000000 MAIN	WALTHAM	1	S		25,000	SODIUM							
K7	0183	113			9130	1987	T		S2	26766201003	000000 MAIN	WALTHAM	1	S		25,000	SODIUM							
K7	0183	114			9130	1987	T		S2	26766201003	001074 MAIN	WALTHAM	1	S		25,000	SODIUM							
K7	0183	115			9130	1985	T		S2	26766201003	000000 MAIN	WALTHAM	1	S		25,000	SODIUM							
K7	0183	116			9130	1985	T		S2	26766201003	000000 MAIN	WALTHAM	1	S		25,000	SODIUM							
K7	0183	117			9130	1985	T		S2	26766201003	000000 MAIN	WALTHAM	1	S		25,000	SODIUM							
K7	0183	118			9130	1985	T		S2	26766201003	000000 MAIN	WALTHAM	1	S		25,000	SODIUM							
K7	0183	119			9130	1985	T		S2	26766201003	000000 MAIN	WALTHAM	1	S		25,000	SODIUM							
K7	0183	120			9130	1985	T		S2	26766201003	000000 MAIN	WALTHAM	1	S		25,000	SODIUM							
K7	0183	121			9130	1985	T		S2	26766201003	000000 MAIN	WALTHAM	1	S		25,000	SODIUM							
K7	0183	122			9130	1985	T		S2	26766201003	000000 MAIN	WALTHAM	1	S		25,000	SODIUM							
K7	0183	123			9130	1985	T		S2	26766201003	000000 MAIN	WALTHAM	1	S		25,000	SODIUM							
K7	0183	124			9130	1985	T		S2	26766201003	000000 MAIN	WALTHAM	1	S		25,000	SODIUM							
K7	0183	125			9130	1985	T		S2	26766201003	000000 MAIN	WALTHAM	1	S		25,000	SODIUM							
K7	0183	126		1	9130	1985	T		S2	26766201003	000000 MAIN	WALTHAM	1	S		25,000	SODIUM							
K7	0183	126		2	9130	1985	T		S2	26766201003	000000 MAIN	WALTHAM	1	S		25,000	SODIUM							

CODE										LOCATION			EXISTING FIXTURE TYPE					PROPOSED FIXTURE TYPE				ENERGY SAVINGS		Comments	
TD	Route	Item	F	SF	Unit	Vint	CC	SM	S2	Account	ADDRESS	CITY	Qty	FT	LT	LUMENS	FT Description	Watts	Qty	FT Description	Lumens	Watts	kW Savings		kWh Savings
K7	0183	127			9130	1985	T		S2	26766201003	000000 MAIN	WALTHAM	1	S		25,000	SODIUM								
K7	0183	128			9130	1985	T		S2	26766201003	000000 MAIN	WALTHAM	1	S		25,000	SODIUM								
K7	0183	129			9130	1985	T		S2	26766201003	000000 MAIN	WALTHAM	1	S		25,000	SODIUM								
K7	0183	130			9130	1985	T		S2	26766201003	000000 MAIN	WALTHAM	1	S		25,000	SODIUM								
K7	0183	132			9130	1985	T		S2	26766201003	000000 MAIN	WALTHAM	1	S		25,000	SODIUM								
K7	0183	133			9130	1985	T		S2	26766201003	000000 MAIN	WALTHAM	1	S		25,000	SODIUM								
K7	0183	134			9130	1985	T		S2	26766201003	000000 MAIN	WALTHAM	1	S		25,000	SODIUM								
K7	0183	135			9130	1985	T		S2	26766201003	000000 MAIN	WALTHAM	1	S		25,000	SODIUM								
K7	0183	137			9130	1985	T		S2	26766201003	000000 MAIN	WALTHAM	1	S		25,000	SODIUM								
K7	0183	139			9130	1986	T		S2	26766201003	000000 MAIN	WALTHAM	1	S		25,000	SODIUM								
K7	0183	141			9130	1985	T		S2	26766201003	000000 MAIN	WALTHAM	1	S		25,000	SODIUM								
K7	0183	142			9130	1985	T		S2	26766201003	000000 MAIN	WALTHAM	1	S		25,000	SODIUM								
K7	0183	143			9130	1985	T		S2	26766201003	000000 MAIN	WALTHAM	1	S		25,000	SODIUM								
K7	0183	144			9130	1985	T		S2	26766201003	000000 MAIN	WALTHAM	1	S		25,000	SODIUM								
K7	0183	145			9130	1985	T		S2	26766201003	000000 MAIN	WALTHAM	1	S		25,000	SODIUM								
K7	0183	146			9130	1985	T		S2	26766201003	000000 MAIN	WALTHAM	1	S		25,000	SODIUM								
K7	0183	147			9130	1985	T		S2	26766201003	000000 MAIN	WALTHAM	1	S		25,000	SODIUM								
K7	0183	148			9130	1985	T		S2	26766201003	000000 MAIN	WALTHAM	1	S		25,000	SODIUM								
K7	0183	149			9130	1985	T		S2	26766201003	000000 MAIN	WALTHAM	1	S		25,000	SODIUM								
K7	0183	150			9130	1985	T		S2	26766201003	000000 MAIN	WALTHAM	1	S		25,000	SODIUM								
K7	0183	151			9130	1985	T		S2	26766201003	000000 MAIN	WALTHAM	1	S		25,000	SODIUM								
K7	0183	152			9130	1985	T		S2	26766201003	000000 MAIN	WALTHAM	1	S		25,000	SODIUM								
K7	0183	153			9130	1985	T		S2	26766201003	000000 MAIN	WALTHAM	1	S		25,000	SODIUM								
K7	0183	154			9130	1985	T		S2	26766201003	000000 MAIN	WALTHAM	1	S		25,000	SODIUM								
K7	0183	155			9130	1985	T		S2	26766201003	000000 MAIN	WALTHAM	1	S		25,000	SODIUM								
K7	0183	156			9130	1985	T		S2	26766201003	000000 MAIN	WALTHAM	1	S		25,000	SODIUM								
K7	0183	157			9130	1985	T		S2	26766201003	000000 MAIN	WALTHAM	1	S		25,000	SODIUM								
K7	0184	002		1	9130	1992	T		S2	26766201003	000000 MAYALL	WALTHAM	1	S		9,500	SODIUM								
K7	0184	002		2	9130	1988	T		S2	26766201003	000000 AMHERST	WALTHAM	1	S		4,000	SODIUM								
K7	0184	004		1	9130	1992	T		S2	26766201003	000000 MAYALL	WALTHAM	1	S		9,500	SODIUM								
K7	0184	004		2	9130	1988	T		S2	26766201003	000000 AMHERST	WALTHAM	1	S		4,000	SODIUM								
K7	0184	006		1	9130	1992	T		S2	26766201003	000000 MAYALL	WALTHAM	1	S		9,500	SODIUM								
K7	0184	006		2	9130	1988	T		S2	26766201003	000000 AMHERST	WALTHAM	1	S		4,000	SODIUM								
K7	0184	008			9130	1988	T		S2	26766201003	000000 AMHERST	WALTHAM	1	S		4,000	SODIUM								
K7	0184	009			9130	1992	T		S2	26766201003	000000 MAYALL	WALTHAM	1	S		9,500	SODIUM								
K7	0184	010			9130	1988	T		S2	26766201003	000000 AMHERST	WALTHAM	1	S		4,000	SODIUM								
K7	0184	011			9130	1988	T		S2	26766201003	000000 AMHERST	WALTHAM	1	S		4,000	SODIUM								
K7	0184	012		1	9130	1992	T		S2	26766201003	000000 MAYALL	WALTHAM	1	S		9,500	SODIUM								
K7	0184	012		2	9130	1988	T		S2	26766201003	000000 AMHERST	WALTHAM	1	S		4,000	SODIUM								
K7	0184	014			9130	1986	T		S2	26766201003	000000 AMHERST	WALTHAM	1	S		9,500	SODIUM								
K7	0184	015			9130	1988	T		S2	26766201003	000000 AMHERST	WALTHAM	1	S		4,000	SODIUM								
K7	0185	000			9130	1992	T		S2	26766201003	000000 MILNER	WALTHAM	1	S		9,500	SODIUM								
K7	0185	001			9130	1988	T		S2	26766201003	000000 BOWKER	WALTHAM	1	S		4,000	SODIUM								
K7	0185	002		1	9130	1992	T		S2	26766201003	000000 MILNER	WALTHAM	1	S		9,500	SODIUM								
K7	0185	002		2	9130	1988	T		S2	26766201003	000000 BOWKER	WALTHAM	1	S		4,000	SODIUM								
K7	0185	004		1	9130	1994	T		S2	26766201003	000000 MILNER	WALTHAM	1	S		9,500	SODIUM								
K7	0185	004		2	9130	1988	T		S2	26766201003	000000 BOWKER	WALTHAM	1	S		4,000	SODIUM								
K7	0185	005			9130	1992	T		S2	26766201003	000000 MILNER	WALTHAM	1	S		9,500	SODIUM								
K7	0185	007			9130	1992	T		S2	26766201003	000000 MILNER	WALTHAM	1	S		9,500	SODIUM								
K7	0185	008			9130	1992	T		S2	26766201003	000000 MILNER	WALTHAM	1	S		9,500	SODIUM								

CODE										LOCATION			EXISTING FIXTURE TYPE					PROPOSED FIXTURE TYPE				ENERGY SAVINGS		Comments
TD	Route	Item	F	SF	Unit	Vint	CC	SM	S2	Account	ADDRESS	CITY	Qty	FT	LT	LUMENS	FT Description	Watts	Qty	FT Description	Lumens	Watts	kW Savings	
K7	0186	001			9130	1991	T		S2	26766201003	000000 MARIANNE	WALTHAM	1	S		9,500	SODIUM							
K7	0186	002		1	9130	1992	T		S2	26766201003	000000 PINE VALE	WALTHAM	1	S		9,500	SODIUM							
K7	0186	002		2	9130	1991	T		S2	26766201003	000000 MARIANNE	WALTHAM	1	S		9,500	SODIUM							
K7	0186	004		1	9130	1992	T		S2	26766201003	000000 PINE VALE	WALTHAM	1	S		9,500	SODIUM							
K7	0186	004		2	9130	1991	T		S2	26766201003	000000 MARIANNE	WALTHAM	1	S		9,500	SODIUM							
K7	0186	006			9130	1991	T		S2	26766201003	000000 MARIANNE	WALTHAM	1	S		9,500	SODIUM							
K7	0186	007			9130	1991	T		S2	26766201003	000000 MARIANNE	WALTHAM	1	S		9,500	SODIUM							
K7	0186	010			9130	1991	T		S2	26766201003	000000 MARIANNE	WALTHAM	1	S		9,500	SODIUM							
K7	0186	011			9130	1991	T		S2	26766201003	000000 MARIANNE	WALTHAM	1	S		9,500	SODIUM							
K7	0186	012			9130	1991	T		S2	26766201003	000000 MARIANNE	WALTHAM	1	S		9,500	SODIUM							
K7	0187	001			9130	1991	T		S2	26766201003	000000 CLEMENTS	WALTHAM	1	S		9,500	SODIUM							
K7	0187	002			9130	1991	T		S2	26766201003	000000 HILLCREST	WALTHAM	1	S		9,500	SODIUM							
K7	0187	003		1	9130	1991	T		S2	26766201003	000000 HILLCREST	WALTHAM	1	S		9,500	SODIUM							
K7	0187	003		2	9130	1991	T		S2	26766201003	000000 CLEMENTS	WALTHAM	1	S		9,500	SODIUM							
K7	0187	005		1	9130	1991	T		S2	26766201003	000000 HILLCREST	WALTHAM	1	S		9,500	SODIUM							
K7	0187	005		2	9130	1991	T		S2	26766201003	000000 CLEMENTS	WALTHAM	1	S		9,500	SODIUM							
K7	0187	006			9130	1991	T		S2	26766201003	000000 HILLCREST	WALTHAM	1	S		9,500	SODIUM							
K7	0187	007			9130	1991	T		S2	26766201003	000000 CLEMENTS	WALTHAM	1	S		9,500	SODIUM							
K7	0187	009			9130	1991	T		S2	26766201003	000000 HILLCREST	WALTHAM	1	S		9,500	SODIUM							
K7	0187	011			9130	1991	T		S2	26766201003	000000 HILLCREST	WALTHAM	1	S		9,500	SODIUM							
K7	0187	013			9130	1991	T		S2	26766201003	000000 HILLCREST	WALTHAM	1	S		9,500	SODIUM							
K7	0187	015			9130	1991	T		S2	26766201003	000000 HILLCREST	WALTHAM	1	S		9,500	SODIUM							
K7	0187	016			0000	2012	T		S2	26766201003	000000 HILLCREST	WALTHAM	1	D		1,688	LED							
K7	0188	003			9130	1991	T		S2	26766201003	000000 MASSASOIT	WALTHAM	1	S		9,500	SODIUM							
K7	0188	004			9130	1991	T		S2	26766201003	000000 MASSASOIT	WALTHAM	1	S		9,500	SODIUM							
K7	0188	005			9130	1991	T		S2	26766201003	000000 MASSASOIT	WALTHAM	1	S		9,500	SODIUM							
K7	0188	008			9130	1991	T		S2	26766201003	000000 MASSASOIT	WALTHAM	1	S		9,500	SODIUM							
K7	0188	011			9130	1991	T		S2	26766201003	000000 MASSASOIT	WALTHAM	1	S		9,500	SODIUM							
K7	0189	002		1	9130	1991	T		S2	26766201003	000000 MASSASOIT	WALTHAM	1	S		9,500	SODIUM							
K7	0189	002		2	9130	1989	T		S2	26766201003	000000 TRIMONT	WALTHAM	1	S		9,500	SODIUM							
K7	0189	010			9130	1989	T		S2	26766201003	000000 TRIMONT	WALTHAM	1	S		9,500	SODIUM							
K7	0189	012			9130	1989	T		S2	26766201003	000000 TRIMONT	WALTHAM	1	S		9,500	SODIUM							
K7	0189	014			9130	1989	T		S2	26766201003	000000 TRIMONT	WALTHAM	1	S		9,500	SODIUM							
K7	0189	020			9130	1989	T		S2	26766201003	000000 TRIMONT	WALTHAM	1	S		9,500	SODIUM							
K7	0190	002			9130	1991	T		S2	26766201003	000000 MCBRIDES	WALTHAM	1	S		9,500	SODIUM							
K7	0191	002		1	9130	1991	T		S2	26766201003	000000 MCKENN	WALTHAM	1	S		9,500	SODIUM							
K7	0191	002		2	9130	1991	T		S2	26766201003	000000 MARIVISTA	WALTHAM	1	S		9,500	SODIUM							
K7	0191	004		1	9130	1991	T		S2	26766201003	000000 MCKENN	WALTHAM	1	S		9,500	SODIUM							
K7	0191	004		2	9130	1991	T		S2	26766201003	000000 MARIVISTA	WALTHAM	1	S		9,500	SODIUM							
K7	0191	005			9130	1991	T		S2	26766201003	000000 MARIVISTA	WALTHAM	1	S		9,500	SODIUM							
K7	0191	006			9130	1991	T		S2	26766201003	000000 MARIVISTA	WALTHAM	1	S		9,500	SODIUM							
K7	0191	007			9130	1991	T		S2	26766201003	000000 MARIVISTA	WALTHAM	1	S		9,500	SODIUM							
K7	0191	008			9130	1991	T		S2	26766201003	000000 MARIVISTA	WALTHAM	1	S		9,500	SODIUM							
K7	0191	012			9130	1991	T		S2	26766201003	000000 MARIVISTA	WALTHAM	1	S		9,500	SODIUM							
K7	0191	014			9130	1991	T		S2	26766201003	000000 MARIVISTA	WALTHAM	1	S		9,500	SODIUM							
K7	0191	015			9130	1991	T		S2	26766201003	000000 MARIVISTA	WALTHAM	1	S		9,500	SODIUM							
K7	0192	001			9130	1991	T		S2	26766201003	000000 MECHANIC	WALTHAM	1	S		9,500	SODIUM							
K7	0192	002			9130	1991	T		S2	26766201003	000000 MECHANIC	WALTHAM	1	S		9,500	SODIUM							
K7	0193	001			9130	1991	T		S2	26766201003	000000 MIDDLE	WALTHAM	1	S		9,500	SODIUM							
K7	0193	002		1	9130	1991	T		S2	26766201003	000000 MIDDLE	WALTHAM	1	S		9,500	SODIUM							

CODE										LOCATION			EXISTING FIXTURE TYPE					PROPOSED FIXTURE TYPE				ENERGY SAVINGS		Comments	
TD	Route	Item	F	SF	Unit	Vint	CC	SM	S2	Account	ADDRESS	CITY	Qty	FT	LT	LUMENS	FT Description	Watts	Qty	FT Description	Lumens	Watts	kW Savings		kWh Savings
K7	0193	002		2	9130	1991	T		S2	26766201003	000000 DOBBINS	WALTHAM	1	S		9,500	SODIUM								
K7	0193	003			9130	1991	T		S2	26766201003	000000 MIDDLE	WALTHAM	1	S		9,500	SODIUM								
K7	0193	004			9130	1991	T		S2	26766201003	000000 DOBBINS	WALTHAM	1	S		9,500	SODIUM								
K7	0193	005			9130	1991	T		S2	26766201003	000000 MIDDLE	WALTHAM	1	S		9,500	SODIUM								
K7	0193	006			9130	1991	T		S2	26766201003	000000 DOBBINS	WALTHAM	1	S		9,500	SODIUM								
K7	0193	008			9130	1991	T		S2	26766201003	000000 DOBBINS	WALTHAM	1	S		9,500	SODIUM								
K7	0193	010			9130	1991	T		S2	26766201003	000000 DOBBINS	WALTHAM	1	S		9,500	SODIUM								
K7	0193	012			9130	1991	T		S2	26766201003	000000 DOBBINS	WALTHAM	1	S		9,500	SODIUM								
K7	0193	013			9130	1991	T		S2	26766201003	000000 DOBBINS	WALTHAM	1	S		9,500	SODIUM								
K7	0194	000			9130	1992	T		S2	26766201003	000000 LAKE	WALTHAM	1	S		16,000	SODIUM								
K7	0194	001			9130	1992	T		S2	26766201003	000000 LAKE	WALTHAM	1	S		16,000	SODIUM								
K7	0194	002		1	9130	1992	T		S2	26766201003	000000 LAKE	WALTHAM	1	S		16,000	SODIUM								
K7	0194	002		2	9130	1988	T		S2	26766201003	000000 BRIGHAM	WALTHAM	1	S		4,000	SODIUM								
K7	0194	003			9130	1992	T		S2	26766201003	000000 LAKE	WALTHAM	1	S		16,000	SODIUM								
K7	0194	004		1	9130	1992	T		S2	26766201003	000000 LAKE	WALTHAM	1	S		16,000	SODIUM								
K7	0194	004		2	9130	1988	T		S2	26766201003	000000 BRIGHAM	WALTHAM	1	S		4,000	SODIUM								
K7	0194	005			9130	1992	T		S2	26766201003	000000 LAKE	WALTHAM	1	S		16,000	SODIUM								
K7	0194	006		1	9130	1992	T		S2	26766201003	000000 LAKE	WALTHAM	1	S		16,000	SODIUM								
K7	0194	006		2	9130	1988	T		S2	26766201003	000000 BRIGHAM	WALTHAM	1	S		4,000	SODIUM								
K7	0194	007			9130	1992	T		S2	26766201003	000000 LAKE	WALTHAM	1	S		16,000	SODIUM								
K7	0194	008			9130	1992	T		S2	26766201003	000000 LAKE	WALTHAM	1	S		16,000	SODIUM								
K7	0194	009			9130	1992	T		S2	26766201003	000000 LAKE	WALTHAM	1	S		16,000	SODIUM								
K7	0194	010			9130	1992	T		S2	26766201003	000000 LAKE	WALTHAM	1	S		16,000	SODIUM								
K7	0194	011			9130	1992	T		S2	26766201003	000000 LAKE	WALTHAM	1	S		16,000	SODIUM								
K7	0194	012			9130	1992	T		S2	26766201003	000000 LAKE	WALTHAM	1	S		16,000	SODIUM								
K7	0194	013			9130	1992	T		S2	26766201003	000000 LAKE	WALTHAM	1	S		16,000	SODIUM								
K7	0194	014			9130	1992	T		S2	26766201003	000000 LAKE	WALTHAM	1	S		16,000	SODIUM								
K7	0194	015			9130	1992	T		S2	26766201003	000000 LAKE	WALTHAM	1	S		16,000	SODIUM								
K7	0194	016			9130	1992	T		S2	26766201003	000000 LAKE	WALTHAM	1	S		16,000	SODIUM								
K7	0194	017			9130	1992	T		S2	26766201003	000000 LAKE	WALTHAM	1	S		16,000	SODIUM								
K7	0194	018			9130	1992	T		S2	26766201003	000000 LAKE	WALTHAM	1	S		16,000	SODIUM								
K7	0194	019			9130	1992	T		S2	26766201003	000000 LAKE	WALTHAM	1	S		16,000	SODIUM								
K7	0194	020			9130	1992	T		S2	26766201003	000000 LAKE	WALTHAM	1	S		16,000	SODIUM								
K7	0194	021			9130	1992	T		S2	26766201003	000000 LAKE	WALTHAM	1	S		16,000	SODIUM								
K7	0194	022			9130	1992	T		S2	26766201003	000000 LAKE	WALTHAM	1	S		16,000	SODIUM								
K7	0194	024			9130	1992	T		S2	26766201003	000000 LAKE	WALTHAM	1	S		16,000	SODIUM								
K7	0194	025			9130	1992	T		S2	26766201003	000000 LAKE	WALTHAM	1	S		16,000	SODIUM								
K7	0194	026			9130	1992	T		S2	26766201003	000000 LAKE	WALTHAM	1	S		16,000	SODIUM								
K7	0194	027			9130	1992	T		S2	26766201003	000000 LAKE	WALTHAM	1	S		16,000	SODIUM								
K7	0194	028			9130	1992	T		S2	26766201003	000000 LAKE	WALTHAM	1	S		16,000	SODIUM								
K7	0194	029			9130	1992	T		S2	26766201003	000000 LAKE	WALTHAM	1	S		16,000	SODIUM								
K7	0194	030			9130	1992	T		S2	26766201003	000000 LAKE	WALTHAM	1	S		16,000	SODIUM								
K7	0194	031			9130	1992	T		S2	26766201003	000000 LAKE	WALTHAM	1	S		16,000	SODIUM								
K7	0194	032			9130	1992	T		S2	26766201003	000000 LAKE	WALTHAM	1	S		16,000	SODIUM								
K7	0194	033			9130	1992	T		S2	26766201003	000000 LAKE	WALTHAM	1	S		16,000	SODIUM								
K7	0194	034			9130	1992	T		S2	26766201003	000000 LAKE	WALTHAM	1	S		16,000	SODIUM								
K7	0194	035			9130	1992	T		S2	26766201003	000000 LAKE	WALTHAM	1	S		16,000	SODIUM								
K7	0194	036			9130	1992	T		S2	26766201003	000000 LAKE	WALTHAM	1	S		16,000	SODIUM								
K7	0194	037			9130	1992	T		S2	26766201003	000000 LAKE	WALTHAM	1	S		16,000	SODIUM								
K7	0194	038			9130	1992	T		S2	26766201003	000000 LAKE	WALTHAM	1	S		16,000	SODIUM								

CODE										LOCATION			EXISTING FIXTURE TYPE					PROPOSED FIXTURE TYPE				ENERGY SAVINGS		Comments	
TD	Route	Item	F	SF	Unit	Vint	CC	SM	S2	Account	ADDRESS	CITY	Qty	FT	LT	LUMENS	FT Description	Watts	Qty	FT Description	Lumens	Watts	kW Savings		kWh Savings
K7	0194	039			9130	1992	T		S2	26766201003	000000 LAKE	WALTHAM	1	S		16,000	SODIUM								
K7	0194	040			9130	1992	T		S2	26766201003	000000 LAKE	WALTHAM	1	S		16,000	SODIUM								
K7	0195	001			9130	1991	T		S2	26766201003	000000 MILTON	WALTHAM	1	S		9,500	SODIUM								
K7	0195	003			9130	1991	T		S2	26766201003	000000 MILTON	WALTHAM	1	S		9,500	SODIUM								
K7	0195	005			9130	1991	T		S2	26766201003	000000 MILTON	WALTHAM	1	S		9,500	SODIUM								
K7	0195	007			9130	1991	T		S2	26766201003	000000 MILTON	WALTHAM	1	S		9,500	SODIUM								
K7	0195	009			9130	1991	T		S2	26766201003	000000 MILTON	WALTHAM	1	S		9,500	SODIUM								
K7	0195	011			9130	1991	T		S2	26766201003	000000 MILTON	WALTHAM	1	S		9,500	SODIUM								
K7	0196	001			9130	1992	T		S2	26766201003	000000 ROSEMONT	WALTHAM	1	S		9,500	SODIUM								
K7	0196	003			9130	1992	T		S2	26766201003	000000 ROSEMONT	WALTHAM	1	S		9,500	SODIUM								
K7	0196	005			9130	1992	T		S2	26766201003	000000 ROSEMONT	WALTHAM	1	S		9,500	SODIUM								
K7	0196	007			9130	1992	T		S2	26766201003	000000 ROSEMONT	WALTHAM	1	S		9,500	SODIUM								
K7	0196	045			9130	1992	T		S2	26766201003	000000 MOODY	WALTHAM	1	S		25,000	SODIUM								
K7	0196	047			9130	1992	T		S2	26766201003	000000 MOODY	WALTHAM	1	S		25,000	SODIUM								
K7	0196	048			9130	1992	T		S2	26766201003	000000 MOODY	WALTHAM	1	S		25,000	SODIUM								
K7	0196	049			9130	1992	T		S2	26766201003	000817 MOODY	WALTHAM	1	S		25,000	SODIUM								
K7	0196	050			9130	1992	T		S2	26766201003	000000 MOODY	WALTHAM	1	S		25,000	SODIUM								
K7	0196	051			9130	1992	T		S2	26766201003	000000 MOODY	WALTHAM	1	S		25,000	SODIUM								
K7	0196	053			9130	1985	T		S2	26766201003	000000 MOODY	WALTHAM	1	S		25,000	SODIUM								
K7	0196	054			9130	1985	T		S2	26766201003	000000 MOODY	WALTHAM	1	S		25,000	SODIUM								
K7	0196	055			9130	1985	T		S2	26766201003	000000 MOODY	WALTHAM	1	S		25,000	SODIUM								
K7	0196	056			9130	1985	T		S2	26766201003	000000 MOODY	WALTHAM	1	S		25,000	SODIUM								
K7	0197	002		1	9130	1986	T		S2	26766201003	000000 MOORE	WALTHAM	1	S		4,000	SODIUM								
K7	0197	002		2	9130	1988	T		S2	26766201003	000000 BRAEMORE	WALTHAM	1	S		4,000	SODIUM								
K7	0197	003			9130	1986	T		S2	26766201003	000000 MOORE	WALTHAM	1	S		9,500	SODIUM								
K7	0197	005			9130	1986	T		S2	26766201003	000000 MOORE	WALTHAM	1	S		9,500	SODIUM								
K7	0197	006			9130	1986	T		S2	26766201003	000000 MOORE	WALTHAM	1	S		9,500	SODIUM								
K7	0198	001		1	9130	1986	T		S2	26766201003	000000 MONTVIEW	WALTHAM	1	S		2,150	SODIUM								
K7	0198	001		2	9130	1992	T		S2	26766201003	000000 MORTON	WALTHAM	1	S		9,500	SODIUM								
K7	0198	002			9130	1992	T		S2	26766201003	000000 MORTON	WALTHAM	1	S		9,500	SODIUM								
K7	0198	003			9130	1992	T		S2	26766201003	000000 MORTON	WALTHAM	1	S		9,500	SODIUM								
K7	0198	004			0000	2012	T		S2	26766201003	000000 MONTVIEW	WALTHAM	1	D		1,688	LED								
K7	0198	005			9130	1997	T		S2	26766201003	000000 MORTON	WALTHAM	1	S		9,500	SODIUM								
K7	0198	006			9130	1992	T		S2	26766201003	000000 MORTON	WALTHAM	1	S		9,500	SODIUM								
K7	0198	007			0000	2012	T		S2	26766201003	000000 MONTVIEW	WALTHAM	1	D		1,688	LED								
K7	0198	008			9130	1992	T		S2	26766201003	000000 MORTON	WALTHAM	1	S		9,500	SODIUM								
K7	0198	010			9130	1992	T		S2	26766201003	000000 MORTON	WALTHAM	1	S		9,500	SODIUM								
K7	0198	011			9130	1992	T		S2	26766201003	000000 MORTON	WALTHAM	1	S		9,500	SODIUM								
K7	0199	003			9130	1991	T		S2	26766201003	000000 MT PLEASANT	WALTHAM	1	S		9,500	SODIUM								
K7	0199	008			9130	1992	T		S2	26766201003	000000 SIBLEY	WALTHAM	1	S		9,500	SODIUM								
K7	0199	010			9130	1992	T		S2	26766201003	000000 SIBLEY	WALTHAM	1	S		9,500	SODIUM								
K7	0200	002			9130	1991	T		S2	26766201003	000000 MUNROE	WALTHAM	1	S		9,500	SODIUM								
K7	0201	001			9130	1991	T		S2	26766201003	000000 CHARLOTTE	WALTHAM	1	S		9,500	SODIUM								
K7	0201	002			0000	2012	T		S2	26766201003	000000 WAMPUM	WALTHAM	1	D		1,688	LED								
K7	0201	003			9130	1991	T		S2	26766201003	000000 CHARLOTTE	WALTHAM	1	S		9,500	SODIUM								
K7	0201	004			0000	2012	T		S2	26766201003	000000 WAMPUM	WALTHAM	1	D		1,688	LED								
K7	0201	005			9130	1991	T		S2	26766201003	000000 CHARLOTTE	WALTHAM	1	S		9,500	SODIUM								
K7	0201	007			9130	1991	T		S2	26766201003	000000 CHARLOTTE	WALTHAM	1	S		9,500	SODIUM								
K7	0201	009			9130	1991	T		S2	26766201003	000000 CHARLOTTE	WALTHAM	1	S		9,500	SODIUM								
K7	0201	010			9130	1991	T		S2	26766201003	000000 CHARLOTTE	WALTHAM	1	S		9,500	SODIUM								

CODE											LOCATION			EXISTING FIXTURE TYPE					PROPOSED FIXTURE TYPE				ENERGY SAVINGS		Comments
TD	Route	Item	F	SF	Unit	Vint	CC	SM	S2	Account	ADDRESS	CITY	Qty	FT	LT	LUMENS	FT Description	Watts	Qty	FT Description	Lumens	Watts	kW Savings	kWh Savings	
K7	0202	001			9130	1988	T		S2	26766201003	000000 BEAL	WALTHAM	1	S		4,000	SODIUM								
K7	0202	002			9130	1992	T		S2	26766201003	000000 LARCHMONT	WALTHAM	1	S		9,500	SODIUM								
K7	0202	005			9130	1988	T		S2	26766201003	000000 BEAL	WALTHAM	1	S		4,000	SODIUM								
K7	0202	007			9130	1988	T		S2	26766201003	000000 BEAL	WALTHAM	1	S		4,000	SODIUM								
K7	0202	009			9130	1988	T		S2	26766201003	000000 BEAL	WALTHAM	1	S		4,000	SODIUM								
K7	0202	010			9130	1988	T		S2	26766201003	000000 BEAL	WALTHAM	1	S		4,000	SODIUM								
K7	0202	012			9130	1988	T		S2	26766201003	000000 BEAL	WALTHAM	1	S		4,000	SODIUM								
K7	0202	015			9130	1988	T		S2	26766201003	000000 BEAL	WALTHAM	1	S		4,000	SODIUM								
K7	0202	018			9130	1988	T		S2	26766201003	000000 BEAL	WALTHAM	1	S		4,000	SODIUM								
K7	0202	020			9130	1988	T		S2	26766201003	000000 BEAL	WALTHAM	1	S		4,000	SODIUM								
K7	0202	022			9130	1988	T		S2	26766201003	000000 BEAL	WALTHAM	1	S		4,000	SODIUM								
K7	0202	024			9130	1988	T		S2	26766201003	000000 BEAL	WALTHAM	1	S		4,000	SODIUM								
K7	0202	026			9130	1988	T		S2	26766201003	000000 BEAL	WALTHAM	1	S		4,000	SODIUM								
K7	0202	028			9130	1988	T		S2	26766201003	000000 BEAL	WALTHAM	1	S		4,000	SODIUM								
K7	0202	030			9130	1988	T		S2	26766201003	000000 BEAL	WALTHAM	1	S		4,000	SODIUM								
K7	0202	032			9130	1988	T		S2	26766201003	000000 BEAL	WALTHAM	1	S		4,000	SODIUM								
K7	0203	001			9130	1991	T		S2	26766201003	000000 MUSIC HALL	WALTHAM	1	S		9,500	SODIUM								
K7	0203	002			9130	1991	T		S2	26766201003	000019 MUSIC HALL	WALTHAM	1	S		9,500	SODIUM								
K7	0204	001			0000	2012	T		S2	26766201003	000000 MT IDA	WALTHAM	1	D		1,688	LED								
K7	0204	002			0000	2012	T		S2	26766201003	000000 MYRTLE	WALTHAM	1	D		1,688	LED								
K7	0204	003		1	0000	2012	T		S2	26766201003	000000 MYRTLE	WALTHAM	1	D		1,688	LED								
K7	0204	003		2	0000	2012	T		S2	26766201003	000000 MT IDA	WALTHAM	1	D		1,688	LED								
K7	0204	005			0000	2012	T		S2	26766201003	000000 MYRTLE	WALTHAM	1	D		1,688	LED								
K7	0204	007			0000	2012	T		S2	26766201003	000000 MYRTLE	WALTHAM	1	D		1,688	LED								
K7	0204	009			0000	2012	T		S2	26766201003	000000 MYRTLE	WALTHAM	1	D		1,688	LED								
K7	0204	010			0000	2012	T		S2	26766201003	000000 MYRTLE	WALTHAM	1	D		1,688	LED								
K7	0204	011			0000	2012	T		S2	26766201003	000000 MYRTLE	WALTHAM	1	D		1,688	LED								
K7	0204	013			0000	2012	T		S2	26766201003	000000 MYRTLE	WALTHAM	1	D		1,688	LED								
K7	0204	014			0000	2012	T		S2	26766201003	000000 MYRTLE	WALTHAM	1	D		1,688	LED								
K7	0204	015			0000	2012	T		S2	26766201003	000000 MYRTLE	WALTHAM	1	D		1,688	LED								
K7	0204	017			0000	2012	T		S2	26766201003	000000 MYRTLE	WALTHAM	1	D		1,688	LED								
K7	0204	018			0000	2012	T		S2	26766201003	000000 MYRTLE	WALTHAM	1	D		1,688	LED								
K7	0204	020			0000	2012	T		S2	26766201003	000000 MYRTLE	WALTHAM	1	D		1,688	LED								
K7	0205	001			9130	1991	T		S2	26766201003	000000 HIBISCUS	WALTHAM	1	S		9,500	SODIUM								
K7	0205	002			9130	1988	T		S2	26766201003	000000 BARBARA	WALTHAM	1	S		4,000	SODIUM								
K7	0205	003			9130	1991	T		S2	26766201003	000000 HIBISCUS	WALTHAM	1	S		9,500	SODIUM								
K7	0205	004			9130	1988	T		S2	26766201003	000000 BARBARA	WALTHAM	1	S		4,000	SODIUM								
K7	0205	007			9130	1988	T		S2	26766201003	000000 BARBARA	WALTHAM	1	S		4,000	SODIUM								
K7	0205	008			9130	1991	T		S2	26766201003	000000 HIBISCUS	WALTHAM	1	S		9,500	SODIUM								
K7	0205	009			9130	1988	T		S2	26766201003	000000 BARBARA	WALTHAM	1	S		4,000	SODIUM								
K7	0205	010			9130	1991	T		S2	26766201003	000000 HIBISCUS	WALTHAM	1	S		9,500	SODIUM								
K7	0205	012		1	9130	1991	T		S2	26766201003	000000 HIBISCUS	WALTHAM	1	S		9,500	SODIUM								
K7	0205	012		2	9130	1988	T		S2	26766201003	000000 BARBARA	WALTHAM	1	S		4,000	SODIUM								
K7	0205	014			9130	1991	T		S2	26766201003	000000 HIBISCUS	WALTHAM	1	S		9,500	SODIUM								
K7	0205	015			9130	1988	T		S2	26766201003	000000 BARBARA	WALTHAM	1	S		4,000	SODIUM								
K7	0205	016			9130	1991	T		S2	26766201003	000000 HIBISCUS	WALTHAM	1	S		9,500	SODIUM								
K7	0205	017			9130	1988	T		S2	26766201003	000000 BARBARA	WALTHAM	1	S		4,000	SODIUM								
K7	0205	018			9130	1988	T		S2	26766201003	000000 BARBARA	WALTHAM	1	S		4,000	SODIUM								
K7	0205	019			9130	1988	T		S2	26766201003	000000 BARBARA	WALTHAM	1	S		4,000	SODIUM								
K7	0205	020			9130	1988	T		S2	26766201003	000000 BARBARA	WALTHAM	1	S		4,000	SODIUM								

CODE										LOCATION			EXISTING FIXTURE TYPE					PROPOSED FIXTURE TYPE				ENERGY SAVINGS		Comments	
TD	Route	Item	F	SF	Unit	Vint	CC	SM	S2	Account	ADDRESS	CITY	Qty	FT	LT	LUMENS	FT Description	Watts	Qty	FT Description	Lumens	Watts	kW Savings		kWh Savings
K7	0205	021			9130	1988	T		S2	26766201003	000000 BARBARA	WALTHAM	1	S		4,000	SODIUM								
K7	0205	022			9130	1991	T		S2	26766201003	000000 HIBISCUS	WALTHAM	1	S		9,500	SODIUM								
K7	0205	023			9130	1988	T		S2	26766201003	000000 BARBARA	WALTHAM	1	S		4,000	SODIUM								
K7	0206	001			9130	1993	T		S2	26766201003	000000 NEWTON	WALTHAM	1	S		16,000	SODIUM								
K7	0206	002		1	9130	1992	T		S2	26766201003	000000 LAKE	WALTHAM	1	S		16,000	SODIUM								
K7	0206	002		2	9130	1993	T		S2	26766201003	000000 NEWTON	WALTHAM	1	S		16,000	SODIUM								
K7	0206	003		1	9130	1992	T		S2	26766201003	000000 LAKE	WALTHAM	1	S		16,000	SODIUM								
K7	0206	003		2	9130	1993	T		S2	26766201003	000000 NEWTON	WALTHAM	1	S		16,000	SODIUM								
K7	0206	004			9130	1993	T		S2	26766201003	000000 NEWTON	WALTHAM	1	S		16,000	SODIUM								
K7	0206	005		1	9130	1992	T		S2	26766201003	000000 LAKE	WALTHAM	1	S		16,000	SODIUM								
K7	0206	005		2	9130	1993	T		S2	26766201003	000000 NEWTON	WALTHAM	1	S		16,000	SODIUM								
K7	0206	006			9130	1993	T		S2	26766201003	000000 NEWTON	WALTHAM	1	S		16,000	SODIUM								
K7	0206	007			9130	1993	T		S2	26766201003	000000 NEWTON	WALTHAM	1	S		16,000	SODIUM								
K7	0206	008			9130	1993	T		S2	26766201003	000000 NEWTON	WALTHAM	1	S		16,000	SODIUM								
K7	0206	009			9130	1993	T		S2	26766201003	000000 NEWTON	WALTHAM	1	S		16,000	SODIUM								
K7	0206	010		1	9130	1993	T		S2	26766201003	000000 NEWTON	WALTHAM	1	S		16,000	SODIUM								
K7	0206	010		2	9130	1993	T		S2	26766201003	000000 NEWTON	WALTHAM	1	S		16,000	SODIUM								
K7	0206	011			9130	1993	T		S2	26766201003	000000 NEWTON	WALTHAM	1	S		16,000	SODIUM								
K7	0206	012			9130	1993	T		S2	26766201003	000000 NEWTON	WALTHAM	1	S		16,000	SODIUM								
K7	0206	013			9130	1993	T		S2	26766201003	000000 NEWTON	WALTHAM	1	S		16,000	SODIUM								
K7	0206	014			9130	1993	T		S2	26766201003	000000 NEWTON	WALTHAM	1	S		16,000	SODIUM								
K7	0206	016			9130	1993	T		S2	26766201003	000000 NEWTON	WALTHAM	1	S		16,000	SODIUM								
K7	0206	018			9130	1993	T		S2	26766201003	000000 NEWTON	WALTHAM	1	S		16,000	SODIUM								
K7	0206	020			9130	1993	T		S2	26766201003	000000 NEWTON	WALTHAM	1	S		16,000	SODIUM								
K7	0206	022			9130	1993	T		S2	26766201003	000000 NEWTON	WALTHAM	1	S		16,000	SODIUM								
K7	0206	025			9130	1993	T		S2	26766201003	000000 NEWTON	WALTHAM	1	S		16,000	SODIUM								
K7	0206	027			9130	1993	T		S2	26766201003	000000 NEWTON	WALTHAM	1	S		16,000	SODIUM								
K7	0206	029			9130	1993	T		S2	26766201003	000000 NEWTON	WALTHAM	1	S		16,000	SODIUM								
K7	0206	031			9130	1993	T		S2	26766201003	000000 NEWTON	WALTHAM	1	S		16,000	SODIUM								
K7	0206	032			9130	1993	T		S2	26766201003	000000 NEWTON	WALTHAM	1	S		16,000	SODIUM								
K7	0206	033			9130	1993	T		S2	26766201003	000000 NEWTON	WALTHAM	1	S		16,000	SODIUM								
K7	0206	034			9130	1993	T		S2	26766201003	000000 NEWTON	WALTHAM	1	S		16,000	SODIUM								
K7	0206	036			9130	1993	T		S2	26766201003	000000 NEWTON	WALTHAM	1	S		16,000	SODIUM								
K7	0206	039			9130	1993	T		S2	26766201003	000000 NEWTON	WALTHAM	1	S		9,500	SODIUM								
K7	0206	040			9130	1993	T		S2	26766201003	000000 NEWTON	WALTHAM	1	S		9,500	SODIUM								
K7	0206	043			9130	1993	T		S2	26766201003	000000 NEWTON	WALTHAM	1	S		9,500	SODIUM								
K7	0206	045			9130	1993	T		S2	26766201003	000000 NEWTON	WALTHAM	1	S		9,500	SODIUM								
K7	0206	047			9130	1993	T		S2	26766201003	000000 NEWTON	WALTHAM	1	S		9,500	SODIUM								
K7	0206	048			9130	1993	T		S2	26766201003	000000 NEWTON	WALTHAM	1	S		9,500	SODIUM								
K7	0207	001			9130	1988	T		S2	26766201003	000000 NOONAN	WALTHAM	1	S		2,150	SODIUM								
K7	0207	002		1	9130	1992	T		S2	26766201003	000000 SHORE	WALTHAM	1	S		9,500	SODIUM								
K7	0207	002		2	9130	1987	T		S2	26766201003	000000 NOONAN	WALTHAM	1	S		4,000	SODIUM								
K7	0207	004			9130	1992	T		S2	26766201003	000000 SHORE	WALTHAM	1	S		9,500	SODIUM								
K7	0207	006			9130	1992	T		S2	26766201003	000000 SHORE	WALTHAM	1	S		9,500	SODIUM								
K7	0207	008		1	9130	1992	T		S2	26766201003	000000 SHORE	WALTHAM	1	S		9,500	SODIUM								
K7	0207	008		2	9130	1992	T		S2	26766201003	000000 SHORE	WALTHAM	1	S		9,500	SODIUM								
K7	0208	002			9130	1988	T		S2	26766201003	000000 BRUCE	WALTHAM	1	S		4,000	SODIUM								
K7	0208	003			9130	1988	T		S2	26766201003	000000 BRUCE	WALTHAM	1	S		4,000	SODIUM								
K7	0208	004			9130	1988	T		S2	26766201003	000000 BRUCE	WALTHAM	1	S		4,000	SODIUM								
K7	0208	005			9130	1988	T		S2	26766201003	000000 BRUCE	WALTHAM	1	S		4,000	SODIUM								

CODE										LOCATION			EXISTING FIXTURE TYPE					PROPOSED FIXTURE TYPE				ENERGY SAVINGS		Comments		
TD	Route	Item	F	SF	Unit	Vint	CC	SM	S2	Account	ADDRESS	CITY	Qty	FT	LT	LUMENS	FT Description	Watts	Qty	FT Description	Lumens	Watts	kW Savings		kWh Savings	
K7	0208	007			9130	1988	T		S2	26766201003	000000 BRUCE	WALTHAM	1	S		4,000	SODIUM									
K7	0208	008			9130	1988	T		S2	26766201003	000000 BRUCE	WALTHAM	1	S		4,000	SODIUM									
K7	0208	009			9130	1988	T		S2	26766201003	000000 BRUCE	WALTHAM	1	S		4,000	SODIUM									
K7	0208	010			9130	1988	T		S2	26766201003	000000 BRUCE	WALTHAM	1	S		4,000	SODIUM									
K7	0209	001			9130	1988	T		S2	26766201003	000000 OAK	WALTHAM	1	S		4,000	SODIUM									
K7	0209	002			9130	1988	T		S2	26766201003	000000 OAK	WALTHAM	1	S		4,000	SODIUM									
K7	0209	003			9130	1988	T		S2	26766201003	000000 OAK	WALTHAM	1	S		4,000	SODIUM									
K7	0209	005			9130	1988	T		S2	26766201003	000000 OAK	WALTHAM	1	S		4,000	SODIUM									
K7	0209	007			9130	1988	T		S2	26766201003	000000 OAK	WALTHAM	1	S		4,000	SODIUM									
K7	0209	009			9130	1988	T		S2	26766201003	000000 OAK	WALTHAM	1	S		4,000	SODIUM									
K7	0209	011			9130	1988	T		S2	26766201003	000000 OAK	WALTHAM	1	S		4,000	SODIUM									
K7	0210	001			0000	2012	T		S2	26766201003	000000 PARSONS	WALTHAM	1	D		1,688	LED									
K7	0210	002			0000	2012	T		S2	26766201003	000000 PARSONS	WALTHAM	1	D		1,688	LED									
K7	0210	003			9130	1987	T		S2	26766201003	000000 PARSONS	WALTHAM	1	S		16,000	SODIUM									
K7	0210	015			0000	2012	T		S2	26766201003	000000 PARSONS	WALTHAM	1	D		1,688	LED									
K7	0211	001			9130	1991	T		S2	26766201003	000000 ORANGE	WALTHAM	1	S		9,500	SODIUM									
K7	0211	003			9130	1991	T		S2	26766201003	000000 ORANGE	WALTHAM	1	S		9,500	SODIUM									
K7	0211	005			9130	1991	T		S2	26766201003	000000 ORANGE	WALTHAM	1	S		9,500	SODIUM									
K7	0211	007			9130	1991	T		S2	26766201003	000000 ORANGE	WALTHAM	1	S		9,500	SODIUM									
K7	0211	009			9130	1991	T		S2	26766201003	000000 ORANGE	WALTHAM	1	S		9,500	SODIUM									
K7	0211	010			9130	1991	T		S2	26766201003	000000 ORANGE	WALTHAM	1	S		9,500	SODIUM									
K7	0211	011			9130	1991	T		S2	26766201003	000000 ORANGE	WALTHAM	1	S		9,500	SODIUM									
K7	0212	001			9130	1988	T		S2	26766201003	000000 CANDACE	WALTHAM	1	S		4,000	SODIUM									
K7	0212	003			9130	1988	T		S2	26766201003	000000 CANDACE	WALTHAM	1	S		4,000	SODIUM									
K7	0212	005			9130	1988	T		S2	26766201003	000000 CANDACE	WALTHAM	1	S		4,000	SODIUM									
K7	0212	007			9130	1988	T		S2	26766201003	000000 CANDACE	WALTHAM	1	S		4,000	SODIUM									
K7	0212	008			9130	1988	T		S2	26766201003	000000 CANDACE	WALTHAM	1	S		4,000	SODIUM									
K7	0212	010			9130	1988	T		S2	26766201003	000000 CANDACE	WALTHAM	1	S		4,000	SODIUM									
K7	0212	012			9130	1988	T		S2	26766201003	000000 CANDACE	WALTHAM	1	S		4,000	SODIUM									
K7	0212	014			9130	1988	T		S2	26766201003	000000 CANDACE	WALTHAM	1	S		4,000	SODIUM									
K7	0212	017			9130	1988	T		S2	26766201003	000000 CANDACE	WALTHAM	1	S		4,000	SODIUM									
K7	0213	002			9130	1991	T		S2	26766201003	000000 ORCHARD	WALTHAM	1	S		9,500	SODIUM									
K7	0213	004			9130	1991	T		S2	26766201003	000000 ORCHARD	WALTHAM	1	S		9,500	SODIUM									
K7	0214	001			9130	1991	T		S2	26766201003	000000 PALMER	WALTHAM	1	S		9,500	SODIUM									
K7	0214	002			9130	1991	T		S2	26766201003	000000 PALMER	WALTHAM	1	S		9,500	SODIUM									
K7	0214	004			9130	1991	T		S2	26766201003	000000 PALMER	WALTHAM	1	S		9,500	SODIUM									
K7	0215	002			9130	1991	T		S2	26766201003	000000 CHAFFEE	WALTHAM	1	S		9,500	SODIUM									
K7	0215	004			9130	1991	T		S2	26766201003	000000 CHAFFEE	WALTHAM	1	S		9,500	SODIUM									
K7	0215	006			9130	1991	T		S2	26766201003	000000 CHAFFEE	WALTHAM	1	S		9,500	SODIUM									
K7	0215	008			9130	1991	T		S2	26766201003	000000 CHAFFEE	WALTHAM	1	S		9,500	SODIUM									
K7	0215	010			9130	1991	T		S2	26766201003	000000 CHAFFEE	WALTHAM	1	S		9,500	SODIUM									
K7	0215	011			9130	1991	T		S2	26766201003	000000 CHAFFEE	WALTHAM	1	S		9,500	SODIUM									
K7	0215	012			9130	1991	T		S2	26766201003	000000 CHAFFEE	WALTHAM	1	S		9,500	SODIUM									
K7	0215	014			9130	1991	T		S2	26766201003	000000 CHAFFEE	WALTHAM	1	S		9,500	SODIUM									
K7	0215	016			9130	1991	T		S2	26766201003	000000 CHAFFEE	WALTHAM	1	S		9,500	SODIUM									
K7	0215	018			9130	1991	T		S2	26766201003	000000 CHAFFEE	WALTHAM	1	S		9,500	SODIUM									
K7	0215	021			9130	1991	T		S2	26766201003	000000 CHAFFEE	WALTHAM	1	S		9,500	SODIUM									
K7	0215	023			9130	1991	T		S2	26766201003	000000 CHAFFEE	WALTHAM	1	S		9,500	SODIUM									
K7	0215	025			9130	1991	T		S2	26766201003	000000 CHAFFEE	WALTHAM	1	S		9,500	SODIUM									
K7	0215	028			9130	1991	T		S2	26766201003	000000 CHAFFEE	WALTHAM	1	S		9,500	SODIUM									

CODE										LOCATION			EXISTING FIXTURE TYPE					PROPOSED FIXTURE TYPE				ENERGY SAVINGS		Comments	
TD	Route	Item	F	SF	Unit	Vint	CC	SM	S2	Account	ADDRESS	CITY	Qty	FT	LT	LUMENS	FT Description	Watts	Qty	FT Description	Lumens	Watts	kW Savings		kWh Savings
K7	0215	030			9130	1991	T		S2	26766201003	000000 CHAFFEE	WALTHAM	1	S		9,500	SODIUM								
K7	0216	001			9130	1991	T		S2	26766201003	000000 CLEMATIS	WALTHAM	1	S		9,500	SODIUM								
K7	0216	002			9130	1991	T		S2	26766201003	000000 CLEMATIS	WALTHAM	1	S		9,500	SODIUM								
K7	0216	004			9130	1991	T		S2	26766201003	000000 CLEMATIS	WALTHAM	1	S		9,500	SODIUM								
K7	0216	005			9130	1991	T		S2	26766201003	000000 CLEMATIS	WALTHAM	1	S		9,500	SODIUM								
K7	0216	007			9130	1991	T		S2	26766201003	000000 CLEMATIS	WALTHAM	1	S		9,500	SODIUM								
K7	0216	008			9130	1991	T		S2	26766201003	000000 CLEMATIS	WALTHAM	1	S		9,500	SODIUM								
K7	0216	009			9130	1991	T		S2	26766201003	000000 CLEMATIS	WALTHAM	1	S		9,500	SODIUM								
K7	0216	010			9130	1991	T		S2	26766201003	000000 CLEMATIS	WALTHAM	1	S		9,500	SODIUM								
K7	0216	012			9130	1991	T		S2	26766201003	000000 CLEMATIS	WALTHAM	1	S		9,500	SODIUM								
K7	0217	001			9130	1992	T		S2	26766201003	000000 HAMBLIN	WALTHAM	1	S		9,500	SODIUM								
K7	0217	003			9130	1992	T		S2	26766201003	000000 HAMBLIN	WALTHAM	1	S		9,500	SODIUM								
K7	0219	002		1	9130	1991	T		S2	26766201003	000000 PARMENTER	WALTHAM	1	S		9,500	SODIUM								
K7	0219	002		2	9130	1988	T		S2	26766201003	000000 BOWDOIN	WALTHAM	1	S		4,000	SODIUM								
K7	0219	003			9130	1991	T		S2	26766201003	000000 PARMENTER	WALTHAM	1	S		9,500	SODIUM								
K7	0219	004			9130	1988	T		S2	26766201003	000000 BOWDOIN	WALTHAM	1	S		4,000	SODIUM								
K7	0219	006		1	9130	1991	T		S2	26766201003	000000 PARMENTER	WALTHAM	1	S		9,500	SODIUM								
K7	0219	006		2	9130	1988	T		S2	26766201003	000000 BOWDOIN	WALTHAM	1	S		4,000	SODIUM								
K7	0219	007			9130	1997	T		S2	26766201003	000000 PARMENTER	WALTHAM	1	S		4,000	SODIUM								
K7	0219	008		1	9130	1986	T		S2	26766201003	000000 PARMENTER	WALTHAM	1	S		9,500	SODIUM								
K7	0219	008		2	9130	1988	T		S2	26766201003	000000 BOWDOIN	WALTHAM	1	S		4,000	SODIUM								
K7	0219	010		1	9130	1991	T		S2	26766201003	000000 PARMENTER	WALTHAM	1	S		9,500	SODIUM								
K7	0219	010		2	9130	1988	T		S2	26766201003	000000 BOWDOIN	WALTHAM	1	S		4,000	SODIUM								
K7	0219	012			9130	1991	T		S2	26766201003	000000 PARMENTER	WALTHAM	1	S		9,500	SODIUM								
K7	0220	002			9130	1991	T		S2	26766201003	000000 PEARL	WALTHAM	1	S		9,500	SODIUM								
K7	0222	002			9130	1993	T		S2	26766201003	000000 REYEM	WALTHAM	1	S		9,500	SODIUM								
K7	0222	004		1	9130	1993	T		S2	26766201003	000000 REYEM	WALTHAM	1	S		9,500	SODIUM								
K7	0222	004		2	9130	1991	T		S2	26766201003	000000 PINE	WALTHAM	1	S		9,500	SODIUM								
K7	0222	005			9130	1991	T		S2	26766201003	000000 PINE	WALTHAM	1	S		9,500	SODIUM								
K7	0222	006		1	0000	2012	T		S2	26766201003	000000 PINE	WALTHAM	1	D		3,562	LED								
K7	0222	006		2	0000	2012	T		S2	26766201003	000000 PINE PARKING	WALTHAM	1	D		9,737	LED								
K7	0222	006		3	0000	2012	T		S2	26766201003	000000 PINE PARKING	WALTHAM	1	D		9,737	LED								
K7	0222	006		4	0000	2012	T		S2	26766201003	000000 PINE PARKING	WALTHAM	1	D		9,737	LED								
K7	0222	006		5	0000	2012	T		S2	26766201003	000000 PINE PARKING	WALTHAM	1	D		9,737	LED								
K7	0222	006		6	0000	2012	T		S2	26766201003	000000 PINE	WALTHAM	1	D		9,737	LED								
K7	0222	014			9130	1991	T		S2	26766201003	000104 PINE	WALTHAM	1	S		9,500	SODIUM								
K7	0222	015			9130	1991	T		S2	26766201003	000000 PINE	WALTHAM	1	S		9,500	SODIUM								
K7	0222	016			9130	1991	T		S2	26766201003	000000 PINE	WALTHAM	1	S		9,500	SODIUM								
K7	0222	018			9130	1991	T		S2	26766201003	000000 PINE	WALTHAM	1	S		9,500	SODIUM								
K7	0223	001		1	9130	1991	T		S2	26766201003	000000 HIAWATHA	WALTHAM	1	S		9,500	SODIUM								
K7	0223	001		2	9130	1991	T		S2	26766201003	000000 PLEASANT	WALTHAM	1	S		9,500	SODIUM								
K7	0223	003			9130	1991	T		S2	26766201003	000000 HIAWATHA	WALTHAM	1	S		9,500	SODIUM								
K7	0223	004			9130	1991	T		S2	26766201003	000000 PLEASANT	WALTHAM	1	S		9,500	SODIUM								
K7	0223	005			9130	1991	T		S2	26766201003	000000 HIAWATHA	WALTHAM	1	S		9,500	SODIUM								
K7	0223	006			9130	1991	T		S2	26766201003	000000 PLEASANT	WALTHAM	1	S		9,500	SODIUM								
K7	0223	007			9130	1991	T		S2	26766201003	000000 PLEASANT	WALTHAM	1	S		9,500	SODIUM								
K7	0223	008			9130	1991	T		S2	26766201003	000000 HIAWATHA	WALTHAM	1	S		9,500	SODIUM								
K7	0223	030			0000	2012	T		S2	26766201003	000000 PROSPECT HILL	WALTHAM	1	D		1,688	LED								
K7	0224	002			9130	1991	T		S2	26766201003	000000 GIBBS	WALTHAM	1	S		9,500	SODIUM								
K7	0225	014			9130	1991	T		S2	26766201003	000000 PLYMPTON	WALTHAM	1	S		9,500	SODIUM								

CODE										LOCATION			EXISTING FIXTURE TYPE					PROPOSED FIXTURE TYPE				ENERGY SAVINGS		Comments	
TD	Route	Item	F	SF	Unit	Vint	CC	SM	S2	Account	ADDRESS	CITY	Qty	FT	LT	LUMENS	FT Description	Watts	Qty	FT Description	Lumens	Watts	kW Savings		kWh Savings
K7	0225	017			9130	1991	T		S2	26766201003	000000 PLYMPTON	WALTHAM	1	S		9,500	SODIUM								
K7	0225	018			9130	1991	T		S2	26766201003	000000 PLYMPTON	WALTHAM	1	S		9,500	SODIUM								
K7	0225	019			9130	1991	T		S2	26766201003	000000 PLYMPTON	WALTHAM	1	S		9,500	SODIUM								
K7	0225	021			9130	1991	T		S2	26766201003	000000 PLYMPTON	WALTHAM	1	S		9,500	SODIUM								
K7	0225	023			9130	1991	T		S2	26766201003	000000 PLYMPTON	WALTHAM	1	S		9,500	SODIUM								
K7	0225	025			9130	1991	T		S2	26766201003	000000 PLYMPTON	WALTHAM	1	S		9,500	SODIUM								
K7	0225	027			9130	1991	T		S2	26766201003	000000 PLYMPTON	WALTHAM	1	S		9,500	SODIUM								
K7	0225	029			9130	1991	T		S2	26766201003	000000 PLYMPTON	WALTHAM	1	S		9,500	SODIUM								
K7	0225	032			9130	1991	T		S2	26766201003	000000 PLYMPTON	WALTHAM	1	S		9,500	SODIUM								
K7	0226	001			9130	1991	T		S2	26766201003	000000 KINGSLEY	WALTHAM	1	S		9,500	SODIUM								
K7	0227	001			9130	1984	T		S2	26766201003	000000 POND	WALTHAM	1	S		9,500	SODIUM								
K7	0227	003			9130	1984	T		S2	26766201003	000000 POND	WALTHAM	1	S		9,500	SODIUM								
K7	0227	005			9130	1985	T		S2	26766201003	000000 POND	WALTHAM	1	S		9,500	SODIUM								
K7	0227	007			9130	1985	T		S2	26766201003	000000 POND	WALTHAM	1	S		9,500	SODIUM								
K7	0227	009			9130	1985	T		S2	26766201003	000000 POND	WALTHAM	1	S		9,500	SODIUM								
K7	0227	011			9130	1985	T		S2	26766201003	000000 POND	WALTHAM	1	S		9,500	SODIUM								
K7	0227	013			9130	1985	T		S2	26766201003	000000 POND	WALTHAM	1	S		9,500	SODIUM								
K7	0227	015			9130	1985	T		S2	26766201003	000000 POND	WALTHAM	1	S		9,500	SODIUM								
K7	0228	002			0000	2012	T		S2	26766201003	000000 POND ST	WALTHAM	1	D		1,688	LED								
K7	0229	002			9130	1991	T		S2	26766201003	000000 HARRINGTON	WALTHAM	1	S		9,500	SODIUM								
K7	0229	004			9130	1991	T		S2	26766201003	000000 HARRINGTON	WALTHAM	1	S		9,500	SODIUM								
K7	0229	006			9130	1991	T		S2	26766201003	000000 HARRINGTON	WALTHAM	1	S		9,500	SODIUM								
K7	0229	007			9130	1991	T		S2	26766201003	000000 HARRINGTON	WALTHAM	1	S		9,500	SODIUM								
K7	0229	009			9130	1991	T		S2	26766201003	000000 HARRINGTON	WALTHAM	1	S		9,500	SODIUM								
K7	0229	011			9130	1991	T		S2	26766201003	000000 HARRINGTON	WALTHAM	1	S		9,500	SODIUM								
K7	0229	013			9130	1991	T		S2	26766201003	000000 HARRINGTON	WALTHAM	1	S		9,500	SODIUM								
K7	0229	016			9130	1991	T		S2	26766201003	000000 HARRINGTON	WALTHAM	1	S		9,500	SODIUM								
K7	0229	017			9130	1991	T		S2	26766201003	000000 HARRINGTON	WALTHAM	1	S		9,500	SODIUM								
K7	0229	019			9130	1991	T		S2	26766201003	000000 HARRINGTON	WALTHAM	1	S		9,500	SODIUM								
K7	0229	024			9130	1991	T		S2	26766201003	000000 HARRINGTON	WALTHAM	1	S		9,500	SODIUM								
K7	0229	025			9130	1991	T		S2	26766201003	000000 HARRINGTON	WALTHAM	1	S		9,500	SODIUM								
K7	0229	027			9130	1991	T		S2	26766201003	000000 HARRINGTON	WALTHAM	1	S		9,500	SODIUM								
K7	0230	002			9130	1986	T		S2	26766201003	000000 PRENTICE	WALTHAM	1	S		4,000	SODIUM								
K7	0230	004			9130	1986	T		S2	26766201003	000000 PRENTICE	WALTHAM	1	S		4,000	SODIUM								
K7	0230	006			9130	1986	T		S2	26766201003	000000 PRENTICE	WALTHAM	1	S		4,000	SODIUM								
K7	0230	008			9130	1986	T		S2	26766201003	000000 PRENTICE	WALTHAM	1	S		4,000	SODIUM								
K7	0230	010			9130	1986	T		S2	26766201003	000000 PRENTICE	WALTHAM	1	S		4,000	SODIUM								
K7	0230	012			9130	1986	T		S2	26766201003	000000 PRENTICE	WALTHAM	1	S		4,000	SODIUM								
K7	0230	014			9130	1986	T		S2	26766201003	000000 PRENTICE	WALTHAM	1	S		4,000	SODIUM								
K7	0230	015			9130	1987	T		S2	26766201003	000000 PRENTICE	WALTHAM	1	S		16,000	SODIUM								
K7	0231	001			9130	1992	T		S2	26766201003	000000 PROSPECT	WALTHAM	1	S		16,000	SODIUM								
K7	0231	002			9130	1992	T		S2	26766201003	000000 PROSPECT	WALTHAM	1	S		16,000	SODIUM								
K7	0231	004			9130	1992	T		S2	26766201003	000000 PROSPECT	WALTHAM	1	S		16,000	SODIUM								
K7	0231	005		1	9130	1992	T		S2	26766201003	000000 PROSPECT	WALTHAM	1	S		16,000	SODIUM								
K7	0231	005		2	9130	1992	T		S2	26766201003	000000 PROSPECT	WALTHAM	1	S		16,000	SODIUM								
K7	0231	006		1	9130	1992	T		S2	26766201003	000000 PROSPECT	WALTHAM	1	S		16,000	SODIUM								
K7	0231	006		2	9130	1992	T		S2	26766201003	000000 PROSPECT	WALTHAM	1	S		16,000	SODIUM								
K7	0231	007			9130	1992	T		S2	26766201003	000000 PROSPECT	WALTHAM	1	S		16,000	SODIUM								
K7	0231	009			9130	1992	T		S2	26766201003	000000 PROSPECT	WALTHAM	1	S		16,000	SODIUM								
K7	0231	011			9130	1992	T		S2	26766201003	000000 PROSPECT	WALTHAM	1	S		16,000	SODIUM								

CODE										LOCATION			EXISTING FIXTURE TYPE					PROPOSED FIXTURE TYPE				ENERGY SAVINGS		Comments	
TD	Route	Item	F	SF	Unit	Vint	CC	SM	S2	Account	ADDRESS	CITY	Qty	FT	LT	LUMENS	FT Description	Watts	Qty	FT Description	Lumens	Watts	kW Savings		kWh Savings
K7	0231	013			9130	1992	T		S2	26766201003	000000 PROSPECT	WALTHAM	1	S		16,000	SODIUM								
K7	0231	015			9130	1992	T		S2	26766201003	000000 PROSPECT	WALTHAM	1	S		16,000	SODIUM								
K7	0231	016			9130	1992	T		S2	26766201003	000000 PROSPECT	WALTHAM	1	S		16,000	SODIUM								
K7	0231	017			9130	1992	T		S2	26766201003	000000 PROSPECT	WALTHAM	1	S		16,000	SODIUM								
K7	0231	019			9130	1992	T		S2	26766201003	000000 PROSPECT	WALTHAM	1	S		16,000	SODIUM								
K7	0231	022			9130	1992	T		S2	26766201003	000000 PROSPECT	WALTHAM	1	S		16,000	SODIUM								
K7	0231	023			9130	1992	T		S2	26766201003	000000 PROSPECT	WALTHAM	1	S		16,000	SODIUM								
K7	0231	025			9130	1992	T		S2	26766201003	000000 PROSPECT	WALTHAM	1	S		16,000	SODIUM								
K7	0231	026			9130	1992	T		S2	26766201003	000000 PROSPECT	WALTHAM	1	S		16,000	SODIUM								
K7	0231	028			9130	1992	T		S2	26766201003	000000 PROSPECT	WALTHAM	1	S		16,000	SODIUM								
K7	0231	030			9130	1992	T		S2	26766201003	000000 PROSPECT	WALTHAM	1	S		16,000	SODIUM								
K7	0231	031			9130	1992	T		S2	26766201003	000000 PROSPECT	WALTHAM	1	S		16,000	SODIUM								
K7	0232	001			9130	1988	T		S2	26766201003	000000 PROSPECT HILL	WALTHAM	1	S		9,500	SODIUM								
K7	0233	005			9130	1988	T		S2	26766201003	000000 PROSPECT HILL	WALTHAM	1	S		9,500	SODIUM								
K7	0233	006			9130	1988	T		S2	26766201003	000000 PROSPECT HILL	WALTHAM	1	S		9,500	SODIUM								
K7	0233	008			9130	1988	T		S2	26766201003	000000 PROSPECT HILL	WALTHAM	1	S		9,500	SODIUM								
K7	0233	010			9130	1992	T		S2	26766201003	000000 PROSPECT HILL	WALTHAM	1	S		9,500	SODIUM								
K7	0233	011			9130	1992	T		S2	26766201003	000000 PROSPECT HILL	WALTHAM	1	S		9,500	SODIUM								
K7	0233	012			9130	1992	T		S2	26766201003	000000 PROSPECT HILL	WALTHAM	1	S		9,500	SODIUM								
K7	0233	013			9130	1992	T		S2	26766201003	000000 PROSPECT HILL	WALTHAM	1	S		9,500	SODIUM								
K7	0233	014			9130	1992	T		S2	26766201003	000000 PROSPECT HILL	WALTHAM	1	S		9,500	SODIUM								
K7	0233	015			9130	1992	T		S2	26766201003	000000 PROSPECT HILL	WALTHAM	1	S		9,500	SODIUM								
K7	0233	017			9130	1992	T		S2	26766201003	000000 PROSPECT HILL	WALTHAM	1	S		9,500	SODIUM								
K7	0233	019			9130	1992	T		S2	26766201003	000000 PROSPECT HILL	WALTHAM	1	S		9,500	SODIUM								
K7	0233	021			9130	1992	T		S2	26766201003	000000 PROSPECT HILL	WALTHAM	1	S		9,500	SODIUM								
K7	0233	023			9130	1992	T		S2	26766201003	000000 PROSPECT HILL	WALTHAM	1	S		9,500	SODIUM								
K7	0233	024			9130	1992	T		S2	26766201003	000000 PROSPECT HILL	WALTHAM	1	S		9,500	SODIUM								
K7	0233	025			9130	1992	T		S2	26766201003	000000 PROSPECT HILL	WALTHAM	1	S		9,500	SODIUM								
K7	0233	026			9130	1992	T		S2	26766201003	000000 PROSPECT HILL	WALTHAM	1	S		9,500	SODIUM								
K7	0233	028			9130	1992	T		S2	26766201003	000000 PROSPECT HILL	WALTHAM	1	S		9,500	SODIUM								
K7	0233	032			9130	1992	T		S2	26766201003	000000 PROSPECT HILL	WALTHAM	1	S		9,500	SODIUM								
K7	0233	034			9130	1992	T		S2	26766201003	000000 PROSPECT HILL	WALTHAM	1	S		9,500	SODIUM								
K7	0233	036			9130	1992	T		S2	26766201003	000000 PROSPECT HILL	WALTHAM	1	S		9,500	SODIUM								
K7	0233	038			9130	1987	T		S2	26766201003	000000 PROSPECT	WALTHAM	1	S		9,500	SODIUM								
K7	0233	040			9130	1987	T		S2	26766201003	000000 PROSPECT HILL	WALTHAM	1	S		9,500	SODIUM								
K7	0233	042			9130	1987	T		S2	26766201003	000000 PROSPECT HILL	WALTHAM	1	S		9,500	SODIUM								
K7	0233	043			9130	1987	T		S2	26766201003	000000 PROSPECT HILL	WALTHAM	1	S		9,500	SODIUM								
K7	0235	002			9130	1991	T		S2	26766201003	000000 RICH	WALTHAM	1	S		9,500	SODIUM								
K7	0235	003			9130	1991	T		S2	26766201003	000000 RICH	WALTHAM	1	S		9,500	SODIUM								
K7	0235	004			9130	1991	T		S2	26766201003	000000 RICH	WALTHAM	1	S		9,500	SODIUM								
K7	0235	005			9130	1991	T		S2	26766201003	000000 RICH	WALTHAM	1	S		9,500	SODIUM								
K7	0235	006			9130	1991	T		S2	26766201003	000000 RICH	WALTHAM	1	S		9,500	SODIUM								
K7	0235	007			9130	1991	T		S2	26766201003	000000 RICH	WALTHAM	1	S		9,500	SODIUM								
K7	0235	009			9130	1991	T		S2	26766201003	000000 RICH	WALTHAM	1	S		9,500	SODIUM								
K7	0235	011			9130	1991	T		S2	26766201003	000000 RICH	WALTHAM	1	S		9,500	SODIUM								
K7	0236	001			9130	1990	T		S2	26766201003	000000 LAFAYETTE	WALTHAM	1	S		9,500	SODIUM								
K7	0236	002			9130	1990	T		S2	26766201003	000000 LAFAYETTE	WALTHAM	1	S		9,500	SODIUM								
K7	0236	004			9130	1990	T		S2	26766201003	000000 LAFAYETTE	WALTHAM	1	S		9,500	SODIUM								
K7	0236	006			9130	1990	T		S2	26766201003	000000 LAFAYETTE	WALTHAM	1	S		9,500	SODIUM								
K7	0236	008			9130	1990	T		S2	26766201003	000000 LAFAYETTE	WALTHAM	1	S		9,500	SODIUM								

CODE										LOCATION			EXISTING FIXTURE TYPE					PROPOSED FIXTURE TYPE				ENERGY SAVINGS		Comments	
TD	Route	Item	F	SF	Unit	Vint	CC	SM	S2	Account	ADDRESS	CITY	Qty	FT	LT	LUMENS	FT Description	Watts	Qty	FT Description	Lumens	Watts	kW Savings		kWh Savings
K7	0236	010			9130	1990	T		S2	26766201003	000000 LAFAYETTE	WALTHAM	1	S		9,500	SODIUM								
K7	0236	012			9130	1990	T		S2	26766201003	000000 LAFAYETTE	WALTHAM	1	S		9,500	SODIUM								
K7	0236	013			9130	1990	T		S2	26766201003	000000 LAFAYETTE	WALTHAM	1	S		9,500	SODIUM								
K7	0237	002			9130	1989	T		S2	26766201003	000000 WILMOT	WALTHAM	1	S		9,500	SODIUM								
K7	0237	004			9130	1989	T		S2	26766201003	000000 WILMOT	WALTHAM	1	S		9,500	SODIUM								
K7	0238	001			9130	1991	T		S2	26766201003	000000 FARNSWORTH	WALTHAM	1	S		9,500	SODIUM								
K7	0238	003			9130	1991	T		S2	26766201003	000000 FARNSWORTH	WALTHAM	1	S		9,500	SODIUM								
K7	0239	000			9130	1991	T		S2	26766201003	000000 PLANT	WALTHAM	1	S		9,500	SODIUM								
K7	0239	001			9130	1991	T		S2	26766201003	000000 PLANT	WALTHAM	1	S		9,500	SODIUM								
K7	0239	003			9130	1991	T		S2	26766201003	000000 PLANT	WALTHAM	1	S		9,500	SODIUM								
K7	0239	005			9130	1991	T		S2	26766201003	000000 PLANT	WALTHAM	1	S		9,500	SODIUM								
K7	0240	002			9130	1990	T		S2	26766201003	000000 RIVERVIEW	WALTHAM	1	S		9,500	SODIUM								
K7	0240	004			9130	1990	T		S2	26766201003	000000 RIVERVIEW	WALTHAM	1	S		9,500	SODIUM								
K7	0240	006			9130	1990	T		S2	26766201003	000000 RIVERVIEW	WALTHAM	1	S		9,500	SODIUM								
K7	0240	008			9130	1990	T		S2	26766201003	000000 RIVERVIEW	WALTHAM	1	S		9,500	SODIUM								
K7	0240	010			9130	1990	T		S2	26766201003	000000 RIVERVIEW	WALTHAM	1	S		9,500	SODIUM								
K7	0240	012			9130	1990	T		S2	26766201003	000000 RIVERVIEW	WALTHAM	1	S		9,500	SODIUM								
K7	0240	016			9130	1990	T		S2	26766201003	000000 RIVERVIEW	WALTHAM	1	S		9,500	SODIUM								
K7	0240	018			9130	1990	T		S2	26766201003	000000 RIVERVIEW	WALTHAM	1	S		9,500	SODIUM								
K7	0240	020			9130	1990	T		S2	26766201003	000000 RIVERVIEW	WALTHAM	1	S		9,500	SODIUM								
K7	0241	009			9130	1991	T		S2	26766201003	000000 HARDY POND	WALTHAM	1	S		9,500	SODIUM								
K7	0241	011			9130	1991	T		S2	26766201003	000000 HARDY POND	WALTHAM	1	S		9,500	SODIUM								
K7	0241	012		1	9130	1999	T		S2	26766201003	000000 HARDY POND	WALTHAM	1	S		9,500	SODIUM								
K7	0241	012		2	9130	1999	T		S2	26766201003	000000 HARDY POND	WALTHAM	1	S		9,500	SODIUM								
K7	0241	013			9130	1991	T		S2	26766201003	000000 HARDY POND	WALTHAM	1	S		9,500	SODIUM								
K7	0241	017			9130	1991	T		S2	26766201003	000000 HARDY POND	WALTHAM	1	S		9,500	SODIUM								
K7	0241	018			9130	1991	T		S2	26766201003	000000 HARDY POND	WALTHAM	1	S		9,500	SODIUM								
K7	0241	020			9130	1991	T		S2	26766201003	000000 HARDY POND	WALTHAM	1	S		9,500	SODIUM								
K7	0241	022			9130	1991	T		S2	26766201003	000000 HARDY POND	WALTHAM	1	S		9,500	SODIUM								
K7	0241	024			9130	1991	T		S2	26766201003	000000 HARDY POND	WALTHAM	1	S		9,500	SODIUM								
K7	0241	026			9130	1991	T		S2	26766201003	000000 HARDY POND	WALTHAM	1	S		9,500	SODIUM								
K7	0241	032			9130	1991	T		S2	26766201003	000000 HARDY POND	WALTHAM	1	S		9,500	SODIUM								
K7	0241	033			9130	1991	T		S2	26766201003	000000 HARDY POND	WALTHAM	1	S		9,500	SODIUM								
K7	0241	034			9130	1991	T		S2	26766201003	000000 HARDY POND	WALTHAM	1	S		9,500	SODIUM								
K7	0241	036			9130	1991	T		S2	26766201003	000000 HARDY POND	WALTHAM	1	S		9,500	SODIUM								
K7	0241	038			9130	1991	T		S2	26766201003	000000 HARDY POND	WALTHAM	1	S		9,500	SODIUM								
K7	0241	039			9130	1991	T		S2	26766201003	000000 HARDY POND	WALTHAM	1	S		9,500	SODIUM								
K7	0241	041			9130	1991	T		S2	26766201003	000000 HARDY POND	WALTHAM	1	S		9,500	SODIUM								
K7	0241	042			9130	1991	T		S2	26766201003	000000 HARDY POND	WALTHAM	1	S		9,500	SODIUM								
K7	0242	001			9130	1989	T		S2	26766201003	000000 ROBBINS	WALTHAM	1	S		9,500	SODIUM								
K7	0242	003			9130	1989	T		S2	26766201003	000000 ROBBINS	WALTHAM	1	S		9,500	SODIUM								
K7	0242	005			9130	1989	T		S2	26766201003	000000 ROBBINS	WALTHAM	1	S		9,500	SODIUM								
K7	0242	008			9130	1989	T		S2	26766201003	000000 ROBBINS	WALTHAM	1	S		9,500	SODIUM								
K7	0242	010			9130	1989	T		S2	26766201003	000000 ROBBINS	WALTHAM	1	S		9,500	SODIUM								
K7	0242	011			9130	1990	T		S2	26766201003	000000 ROBBINS	WALTHAM	1	S		9,500	SODIUM								
K7	0242	012			9130	1989	T		S2	26766201003	000000 ROBBINS	WALTHAM	1	S		9,500	SODIUM								
K7	0242	014			9130	1989	T		S2	26766201003	000000 ROBBINS	WALTHAM	1	S		9,500	SODIUM								
K7	0242	016			9130	1989	T		S2	26766201003	000000 ROBBINS	WALTHAM	1	S		9,500	SODIUM								
K7	0242	017			9130	1989	T		S2	26766201003	000000 ROBBINS	WALTHAM	1	S		9,500	SODIUM								
K7	0242	018			9130	1989	T		S2	26766201003	000000 ROBBINS	WALTHAM	1	S		9,500	SODIUM								

CODE										LOCATION			EXISTING FIXTURE TYPE					PROPOSED FIXTURE TYPE				ENERGY SAVINGS		Comments	
TD	Route	Item	F	SF	Unit	Vint	CC	SM	S2	Account	ADDRESS	CITY	Qty	FT	LT	LUMENS	FT Description	Watts	Qty	FT Description	Lumens	Watts	kW Savings		kWh Savings
K7	0242	022			9130	1989	T		S2	26766201003	000000 ROBBINS	WALTHAM	1	S		9,500	SODIUM								
K7	0242	024			0000	2012	T		S2	26766201003	000000 ROBBINS	WALTHAM	1	D		1,688	LED								
K7	0242	025			9130	1989	T		S2	26766201003	000000 ROBBINS	WALTHAM	1	S		9,500	SODIUM								
K7	0242	027			9130	1989	T		S2	26766201003	000000 ROBBINS	WALTHAM	1	S		9,500	SODIUM								
K7	0242	029			9130	1989	T		S2	26766201003	000000 ROBBINS	WALTHAM	1	S		9,500	SODIUM								
K7	0242	030			9130	1989	T		S2	26766201003	000000 ROBBINS	WALTHAM	1	S		9,500	SODIUM								
K7	0242	031			9130	1989	T		S2	26766201003	000000 ROBBINS	WALTHAM	1	S		9,500	SODIUM								
K7	0243	001			9130	1997	T		S2	26766201003	000000 COOPER	WALTHAM	1	S		25,000	SODIUM								
K7	0243	002		1	9130	1997	T		S2	26766201003	000000 COOPER	WALTHAM	1	S		25,000	SODIUM								
K7	0243	002		2	9130	1997	T		S2	26766201003	000000 COOPER	WALTHAM	1	S		25,000	SODIUM								
K7	0244	001			9130	1991	T		S2	26766201003	000000 EVERETT	WALTHAM	1	S		9,500	SODIUM								
K7	0244	003			9130	1991	T		S2	26766201003	000000 EVERETT	WALTHAM	1	S		9,500	SODIUM								
K7	0244	005			9130	1991	T		S2	26766201003	000000 EVERETT	WALTHAM	1	S		9,500	SODIUM								
K7	0244	007			9130	1991	T		S2	26766201003	000000 EVERETT	WALTHAM	1	S		9,500	SODIUM								
K7	0245	002			9130	1986	T		S2	26766201003	000000 RUMFORD	WALTHAM	1	S		4,000	SODIUM								
K7	0245	006			9130	1986	T		S2	26766201003	000000 RUMFORD	WALTHAM	1	S		4,000	SODIUM								
K7	0245	009			9130	1986	T		S2	26766201003	000000 RUMFORD	WALTHAM	1	S		4,000	SODIUM								
K7	0246	001			9130	1988	T		S2	26766201003	000000 RUSSELL	WALTHAM	1	S		16,000	SODIUM								
K7	0246	002			9130	1988	T		S2	26766201003	000000 RUSSELL	WALTHAM	1	S		16,000	SODIUM								
K7	0246	003			9130	1988	T		S2	26766201003	000000 RUSSELL	WALTHAM	1	S		16,000	SODIUM								
K7	0246	004			9130	1988	T		S2	26766201003	000000 RUSSELL	WALTHAM	1	S		16,000	SODIUM								
K7	0246	005			9130	1988	T		S2	26766201003	000000 RUSSELL	WALTHAM	1	S		16,000	SODIUM								
K7	0246	006			9130	1988	T		S2	26766201003	000000 RUSSELL	WALTHAM	1	S		16,000	SODIUM								
K7	0246	007			9130	1988	T		S2	26766201003	000000 RUSSELL	WALTHAM	1	S		16,000	SODIUM								
K7	0246	008			9130	1988	T		S2	26766201003	000000 RUSSELL	WALTHAM	1	S		16,000	SODIUM								
K7	0246	009			9130	1988	T		S2	26766201003	000000 RUSSELL	WALTHAM	1	S		16,000	SODIUM								
K7	0246	010			9130	1988	T		S2	26766201003	000000 RUSSELL	WALTHAM	1	S		16,000	SODIUM								
K7	0246	011			9130	1988	T		S2	26766201003	000000 RUSSELL	WALTHAM	1	S		16,000	SODIUM								
K7	0246	012			9130	1988	T		S2	26766201003	000000 RUSSELL	WALTHAM	1	S		16,000	SODIUM								
K7	0246	014			9130	1988	T		S2	26766201003	000000 RUSSELL	WALTHAM	1	S		16,000	SODIUM								
K7	0246	016			9130	1988	T		S2	26766201003	000000 RUSSELL	WALTHAM	1	S		16,000	SODIUM								
K7	0246	017			9130	1988	T		S2	26766201003	000000 RUSSELL	WALTHAM	1	S		16,000	SODIUM								
K7	0247	001			9130	1987	T		S2	26766201003	000000 SCHOOL	WALTHAM	1	S		16,000	SODIUM								
K7	0247	003			9130	1987	T		S2	26766201003	000000 SCHOOL	WALTHAM	1	S		16,000	SODIUM								
K7	0247	005			9130	1987	T		S2	26766201003	000000 SCHOOL	WALTHAM	1	S		16,000	SODIUM								
K7	0247	006			9130	1987	T		S2	26766201003	000000 SCHOOL	WALTHAM	1	S		16,000	SODIUM								
K7	0247	007			9130	1987	T		S2	26766201003	000000 SCHOOL	WALTHAM	1	S		16,000	SODIUM								
K7	0247	009			9130	1987	T		S2	26766201003	000000 SCHOOL	WALTHAM	1	S		16,000	SODIUM								
K7	0247	011			9130	1987	T		S2	26766201003	000000 SCHOOL	WALTHAM	1	S		16,000	SODIUM								
K7	0247	012			9130	1987	T		S2	26766201003	000000 SCHOOL	WALTHAM	1	S		16,000	SODIUM								
K7	0247	014			9130	1987	T		S2	26766201003	000119 SCHOOL	WALTHAM	1	S		16,000	SODIUM								
K7	0247	016			9130	1987	T		S2	26766201003	000119 SCHOOL	WALTHAM	1	S		16,000	SODIUM								
K7	0247	018			9130	1987	T		S2	26766201003	000000 SCHOOL	WALTHAM	1	S		16,000	SODIUM								
K7	0247	020			9130	1987	T		S2	26766201003	000000 SCHOOL	WALTHAM	1	S		16,000	SODIUM								
K7	0247	022			9130	1987	T		S2	26766201003	000000 SCHOOL	WALTHAM	1	S		16,000	SODIUM								
K7	0247	024			9130	1987	T		S2	26766201003	000000 SCHOOL	WALTHAM	1	S		16,000	SODIUM								
K7	0247	025			9130	1996	T		S2	26766201003	000000 SCHOOL	WALTHAM	1	S		16,000	SODIUM								
K7	0247	026			9130	1987	T		S2	26766201003	000000 SCHOOL	WALTHAM	1	S		16,000	SODIUM								
K7	0247	028			9130	1987	T		S2	26766201003	000000 SCHOOL	WALTHAM	1	S		16,000	SODIUM								
K7	0247	029			9130	1987	T		S2	26766201003	000000 SCHOOL	WALTHAM	1	S		16,000	SODIUM								

CODE										LOCATION			EXISTING FIXTURE TYPE					PROPOSED FIXTURE TYPE				ENERGY SAVINGS		Comments	
TD	Route	Item	F	SF	Unit	Vint	CC	SM	S2	Account	ADDRESS	CITY	Qty	FT	LT	LUMENS	FT Description	Watts	Qty	FT Description	Lumens	Watts	kW Savings		kWh Savings
K7	0247	032			9130	1987	T		S2	26766201003	000000 SCHOOL	WALTHAM	1	S		16,000	SODIUM								
K7	0247	034			9130	1987	T		S2	26766201003	000000 SCHOOL	WALTHAM	1	S		16,000	SODIUM								
K7	0247	035			9130	1987	T		S2	26766201003	000000 SCHOOL	WALTHAM	1	S		16,000	SODIUM								
K7	0247	037			9130	1987	T		S2	26766201003	000000 SCHOOL	WALTHAM	1	S		16,000	SODIUM								
K7	0247	039			9130	1988	T		S2	26766201003	000000 SCHOOL	WALTHAM	1	S		16,000	SODIUM								
K7	0247	040			9130	1987	T		S2	26766201003	000000 SCHOOL	WALTHAM	1	S		16,000	SODIUM								
K7	0247	041			9130	1988	T		S2	26766201003	000000 SCHOOL	WALTHAM	1	S		16,000	SODIUM								
K7	0247	042			9130	1987	T		S2	26766201003	000000 SCHOOL	WALTHAM	1	S		16,000	SODIUM								
K7	0248	002			9130	1992	T		S2	26766201003	000000 SHAKESPEARE	WALTHAM	1	S		9,500	SODIUM								
K7	0248	003			9130	1992	T		S2	26766201003	000000 SHAKESPEARE	WALTHAM	1	S		9,500	SODIUM								
K7	0249	002			9130	1992	T		S2	26766201003	000000 SHARON	WALTHAM	1	S		9,500	SODIUM								
K7	0249	004		1	9130	1992	T		S2	26766201003	000000 SHARON	WALTHAM	1	S		9,500	SODIUM								
K7	0249	004		2	9130	1992	T		S2	26766201003	000000 SHARON	WALTHAM	1	S		9,500	SODIUM								
K7	0249	005			9130	1992	T		S2	26766201003	000000 SHARON	WALTHAM	1	S		9,500	SODIUM								
K7	0251	002			9130	1991	T		S2	26766201003	000000 INDIAN	WALTHAM	1	S		9,500	SODIUM								
K7	0251	004			9130	1991	T		S2	26766201003	000000 INDIAN	WALTHAM	1	S		9,500	SODIUM								
K7	0251	006			9130	1991	T		S2	26766201003	000000 INDIAN	WALTHAM	1	S		9,500	SODIUM								
K7	0251	008			9130	1991	T		S2	26766201003	000000 INDIAN	WALTHAM	1	S		9,500	SODIUM								
K7	0251	010			9130	1991	T		S2	26766201003	000000 INDIAN	WALTHAM	1	S		9,500	SODIUM								
K7	0251	012			9130	1991	T		S2	26766201003	000000 INDIAN	WALTHAM	1	S		9,500	SODIUM								
K7	0251	015			9130	1991	T		S2	26766201003	000000 INDIAN	WALTHAM	1	S		9,500	SODIUM								
K7	0251	017			9130	1991	T		S2	26766201003	000000 INDIAN	WALTHAM	1	S		9,500	SODIUM								
K7	0252	001			9130	1991	T		S2	26766201003	000000 DIX	WALTHAM	1	S		9,500	SODIUM								
K7	0252	002			9130	1991	T		S2	26766201003	000000 DIX	WALTHAM	1	S		9,500	SODIUM								
K7	0252	003			9130	1991	T		S2	26766201003	000000 DIX	WALTHAM	1	S		9,500	SODIUM								
K7	0252	004			9130	1991	T		S2	26766201003	000000 DIX	WALTHAM	1	S		9,500	SODIUM								
K7	0252	006			9130	1991	T		S2	26766201003	000000 DIX	WALTHAM	1	S		9,500	SODIUM								
K7	0252	007			9130	1991	T		S2	26766201003	000000 DIX	WALTHAM	1	S		9,500	SODIUM								
K7	0252	008			9130	1991	T		S2	26766201003	000000 DIX	WALTHAM	1	S		9,500	SODIUM								
K7	0252	010			9130	1991	T		S2	26766201003	000000 DIX	WALTHAM	1	S		9,500	SODIUM								
K7	0253	001			0000	2014	T		S2	26766201003	000000 SOUTH	WALTHAM	1	D		3,476	LED								
K7	0253	003			0000	2014	T		S2	26766201003	000000 SOUTH	WALTHAM	1	D		3,476	LED								
K7	0253	004			0000	2014	T		S2	26766201003	000000 SOUTH	WALTHAM	1	D		3,476	LED								
K7	0253	008			0000	2014	T		S2	26766201003	000000 SOUTH	WALTHAM	1	D		3,476	LED								
K7	0253	011			0000	2015	T		S2	26766201003	000000 SOUTH	WALTHAM	1	D		3,476	LED								
K7	0253	013		1	0000	2015	T		S2	26766201003	000000 SOUTH	WALTHAM	1	D		3,476	LED								
K7	0253	013		2	0000	2014	T		S2	26766201003	000000 SOUTH	WALTHAM	1	D		3,476	LED								
K7	0253	014			0000	2014	T		S2	26766201003	000000 SOUTH	WALTHAM	1	D		3,476	LED								
K7	0253	018			0000	2014	T		S2	26766201003	000000 SOUTH	WALTHAM	1	D		3,476	LED								
K7	0253	020			0000	2014	T		S2	26766201003	000000 SOUTH	WALTHAM	1	D		3,476	LED								
K7	0253	023			0000	2014	T		S2	26766201003	000000 SOUTH	WALTHAM	1	D		3,476	LED								
K7	0253	025			0000	2014	T		S2	26766201003	000000 SOUTH	WALTHAM	1	D		3,476	LED								
K7	0253	027			0000	2015	T		S2	26766201003	000000 SOUTH	WALTHAM	1	D		3,476	LED								
K7	0253	029			0000	2015	T		S2	26766201003	000000 SOUTH	WALTHAM	1	D		3,476	LED								
K7	0253	030			0000	2015	T		S2	26766201003	000000 SOUTH	WALTHAM	1	D		3,476	LED								
K7	0253	032			0000	2015	T		S2	26766201003	000000 SOUTH	WALTHAM	1	D		3,476	LED								
K7	0253	033			0000	2015	T		S2	26766201003	000000 SOUTH	WALTHAM	1	D		3,476	LED								
K7	0253	034			0000	2015	T		S2	26766201003	000000 SOUTH	WALTHAM	1	D		3,476	LED								
K7	0253	036			0000	2015	T		S2	26766201003	000000 SOUTH	WALTHAM	1	D		3,476	LED								
K7	0253	038			0000	2015	T		S2	26766201003	000000 SOUTH	WALTHAM	1	D		3,476	LED								

CODE										LOCATION			EXISTING FIXTURE TYPE					PROPOSED FIXTURE TYPE				ENERGY SAVINGS		Comments		
TD	Route	Item	F	SF	Unit	Vint	CC	SM	S2	Account	ADDRESS	CITY	Qty	FT	LT	LUMENS	FT Description	Watts	Qty	FT Description	Lumens	Watts	kW Savings		kWh Savings	
K7	0253	040			0000	2015	T		S2	26766201003	000000 SOUTH	WALTHAM	1	D		3,476	LED									
K7	0253	042			0000	2015	T		S2	26766201003	000000 SOUTH	WALTHAM	1	D		3,476	LED									
K7	0253	043			0000	2015	T		S2	26766201003	000000 SOUTH	WALTHAM	1	D		3,476	LED									
K7	0253	044			0000	2015	T		S2	26766201003	000000 SOUTH	WALTHAM	1	D		3,476	LED									
K7	0253	045			0000	2015	T		S2	26766201003	000000 SOUTH	WALTHAM	1	D		3,476	LED									
K7	0253	048			0000	2015	T		S2	26766201003	000000 SOUTH	WALTHAM	1	D		3,476	LED									
K7	0253	049			0000	2015	T		S2	26766201003	000000 SOUTH	WALTHAM	1	D		3,476	LED									
K7	0253	051			0000	2015	T		S2	26766201003	000000 SOUTH	WALTHAM	1	D		3,476	LED									
K7	0253	052			0000	2015	T		S2	26766201003	000000 SOUTH	WALTHAM	1	D		3,476	LED									
K7	0253	053			0000	2015	T		S2	26766201003	000000 SOUTH	WALTHAM	1	D		3,476	LED									
K7	0253	054			0000	2015	T		S2	26766201003	000000 SOUTH	WALTHAM	1	D		3,476	LED									
K7	0253	055			0000	2015	T		S2	26766201003	000000 SOUTH	WALTHAM	1	D		3,476	LED									
K7	0253	056			0000	2015	T		S2	26766201003	000000 SOUTH	WALTHAM	1	D		3,476	LED									
K7	0253	057			0000	2015	T		S2	26766201003	000000 SOUTH	WALTHAM	1	D		3,476	LED									
K7	0253	060			0000	2015	T		S2	26766201003	000000 SOUTH	WALTHAM	1	D		3,476	LED									
K7	0253	065			0000	2015	T		S2	26766201003	000000 SOUTH	WALTHAM	1	D		3,476	LED									
K7	0253	074			9130	1987	T		S2	26766201003	000000 SOUTH	WALTHAM	1	S		16,000	SODIUM									
K7	0253	075			9130	1992	T		S2	26766201003	000000 SOUTH	WALTHAM	1	S		16,000	SODIUM									
K7	0253	076			9130	1992	T		S2	26766201003	000000 SOUTH	WALTHAM	1	S		16,000	SODIUM									
K7	0253	079			9130	1992	T		S2	26766201003	000000 SOUTH	WALTHAM	1	S		16,000	SODIUM									
K7	0253	080			9130	1992	T		S2	26766201003	000000 SOUTH	WALTHAM	1	S		16,000	SODIUM									
K7	0253	082			9130	1987	T		S2	26766201003	000000 SOUTH	WALTHAM	1	S		16,000	SODIUM									
K7	0253	085			9130	1987	T		S2	26766201003	000000 SOUTH	WALTHAM	1	S		16,000	SODIUM									
K7	0253	086			9130	1987	T		S2	26766201003	000000 SOUTH	WALTHAM	1	S		16,000	SODIUM									
K7	0253	089			9130	1987	T		S2	26766201003	000000 SOUTH	WALTHAM	1	S		16,000	SODIUM									
K7	0253	091			9130	1987	T		S2	26766201003	000000 SOUTH	WALTHAM	1	S		16,000	SODIUM									
K7	0253	093			9130	1987	T		S2	26766201003	000000 SOUTH	WALTHAM	1	S		16,000	SODIUM									
K7	0253	095			9130	1987	T		S2	26766201003	000000 SOUTH	WALTHAM	1	S		16,000	SODIUM									
K7	0254	001			9130	1991	T		S2	26766201003	000000 MIDDLE ST	WALTHAM	1	S		9,500	SODIUM									
K7	0255	002			9130	1991	T		S2	26766201003	000000 SPRING	WALTHAM	1	S		9,500	SODIUM									
K7	0255	003			9130	1991	T		S2	26766201003	000000 SPRING	WALTHAM	1	S		9,500	SODIUM									
K7	0255	004			9130	1991	T		S2	26766201003	000000 SPRING	WALTHAM	1	S		9,500	SODIUM									
K7	0255	005			9130	1991	T		S2	26766201003	000000 SPRING	WALTHAM	1	S		9,500	SODIUM									
K7	0255	006			9130	1991	T		S2	26766201003	000000 SPRING	WALTHAM	1	S		9,500	SODIUM									
K7	0255	007			9130	1991	T		S2	26766201003	000000 SPRING	WALTHAM	1	S		9,500	SODIUM									
K7	0256	002			9130	1988	T		S2	26766201003	000000 SPRUCE	WALTHAM	1	S		9,500	SODIUM									
K7	0256	004			0000	2012	T		S2	26766201003	000000 SPRUCE	WALTHAM	1	D		4,897	LED									
K7	0256	005			9130	1988	T		S2	26766201003	000000 SPRUCE	WALTHAM	1	S		9,500	SODIUM									
K7	0256	006			9130	1988	T		S2	26766201003	000000 SPRUCE	WALTHAM	1	S		9,500	SODIUM									
K7	0257	002			9130	1988	T		S2	26766201003	000000 STEARNS	WALTHAM	1	S		4,000	SODIUM									
K7	0257	003			9130	1988	T		S2	26766201003	000000 STEARNS	WALTHAM	1	S		4,000	SODIUM									
K7	0257	005			9130	1988	T		S2	26766201003	000000 STEARNS	WALTHAM	1	S		4,000	SODIUM									
K7	0257	007			9130	1988	T		S2	26766201003	000000 STEARNS	WALTHAM	1	S		4,000	SODIUM									
K7	0258	001			9130	1986	T		S2	26766201003	000000 STERLING	WALTHAM	1	S		2,150	SODIUM									
K7	0258	003			9130	1986	T		S2	26766201003	000000 STERLING	WALTHAM	1	S		2,150	SODIUM									
K7	0258	004			9130	1986	T		S2	26766201003	000000 STERLING	WALTHAM	1	S		2,150	SODIUM									
K7	0258	007			9130	1988	T		S2	26766201003	000000 STERLING	WALTHAM	1	S		9,500	SODIUM									
K7	0259	001			9130	1988	T		S2	26766201003	000000 STOW	WALTHAM	1	S		16,000	SODIUM									
K7	0259	003			9130	1988	T		S2	26766201003	000000 STOW	WALTHAM	1	S		16,000	SODIUM									
K7	0259	005			9130	1988	T		S2	26766201003	000000 STOW	WALTHAM	1	S		16,000	SODIUM									

CODE										LOCATION			EXISTING FIXTURE TYPE					PROPOSED FIXTURE TYPE				ENERGY SAVINGS		Comments	
TD	Route	Item	F	SF	Unit	Vint	CC	SM	S2	Account	ADDRESS	CITY	Qty	FT	LT	LUMENS	FT Description	Watts	Qty	FT Description	Lumens	Watts	kW Savings		kWh Savings
K7	0259	006			9130	1988	T		S2	26766201003	000000 STOW	WALTHAM	1	S		16,000	SODIUM								
K7	0259	008			9130	1988	T		S2	26766201003	000000 STOW	WALTHAM	1	S		16,000	SODIUM								
K7	0259	010			9130	1988	T		S2	26766201003	000000 STOW	WALTHAM	1	S		16,000	SODIUM								
K7	0259	011			9130	1988	T		S2	26766201003	000000 STOW	WALTHAM	1	S		16,000	SODIUM								
K7	0259	012			9130	1988	T		S2	26766201003	000000 STOW	WALTHAM	1	S		16,000	SODIUM								
K7	0259	013			9130	1988	T		S2	26766201003	000000 STOW	WALTHAM	1	S		16,000	SODIUM								
K7	0261	001			9130	1988	T		S2	26766201003	000000 SUMMER	WALTHAM	1	S		9,500	SODIUM								
K7	0261	002			9130	1988	T		S2	26766201003	000000 SUMMER	WALTHAM	1	S		9,500	SODIUM								
K7	0261	005			9130	1988	T		S2	26766201003	000000 SUMMER	WALTHAM	1	S		9,500	SODIUM								
K7	0261	007			9130	1988	T		S2	26766201003	000000 SUMMER	WALTHAM	1	S		9,500	SODIUM								
K7	0261	009			9130	1988	T		S2	26766201003	000000 SUMMER	WALTHAM	1	S		9,500	SODIUM								
K7	0261	011			9130	1988	T		S2	26766201003	000000 SUMMER	WALTHAM	1	S		9,500	SODIUM								
K7	0261	013			9130	1988	T		S2	26766201003	000000 SUMMER	WALTHAM	1	S		9,500	SODIUM								
K7	0261	015			9130	1988	T		S2	26766201003	000000 SUMMER	WALTHAM	1	S		9,500	SODIUM								
K7	0261	016			9130	1988	T		S2	26766201003	000000 SUMMER	WALTHAM	1	S		9,500	SODIUM								
K7	0261	018			9130	1988	T		S2	26766201003	000000 SUMMER	WALTHAM	1	S		9,500	SODIUM								
K7	0261	019			9130	1988	T		S2	26766201003	000000 SUMMER	WALTHAM	1	S		9,500	SODIUM								
K7	0261	020			9130	1988	T		S2	26766201003	000000 SUMMER	WALTHAM	1	S		9,500	SODIUM								
K7	0262	002		1	9130	1991	T		S2	26766201003	000000 MARLTON	WALTHAM	1	S		9,500	SODIUM								
K7	0262	002		2	9130	1991	T		S2	26766201003	000000 PLEASANT	WALTHAM	1	S		9,500	SODIUM								
K7	0262	004			9130	1991	T		S2	26766201003	000000 MARLTON	WALTHAM	1	S		9,500	SODIUM								
K7	0263	001			9130	1988	T		S2	26766201003	000000 SUMMIT	WALTHAM	1	S		4,000	SODIUM								
K7	0263	004			9130	1988	T		S2	26766201003	000000 SUMMIT	WALTHAM	1	S		4,000	SODIUM								
K7	0263	005			9130	1988	T		S2	26766201003	000000 SUMMIT	WALTHAM	1	S		4,000	SODIUM								
K7	0263	007			9130	1988	T		S2	26766201003	000000 SUMMIT	WALTHAM	1	S		4,000	SODIUM								
K7	0263	009			9130	1988	T		S2	26766201003	000000 SUMMIT	WALTHAM	1	S		4,000	SODIUM								
K7	0263	012			9130	1988	T		S2	26766201003	000000 SUMMIT	WALTHAM	1	S		4,000	SODIUM								
K7	0263	014			9130	1988	T		S2	26766201003	000000 SUMMIT	WALTHAM	1	S		4,000	SODIUM								
K7	0264	001			0000	2012	T		S2	26766201003	000000 UNIVERSITY	WALTHAM	1	D		1,688	LED								
K7	0264	002			9130	1985	T		S2	26766201003	000000 PRATT	WALTHAM	1	S		2,150	SODIUM								
K7	0265	001		1	0000	2012	T		S2	26766201003	000000 UNIVERSITY	WALTHAM	1	D		1,688	LED								
K7	0265	001		2	9130	1991	T		S2	26766201003	000000 SUN	WALTHAM	1	S		9,500	SODIUM								
K7	0265	002			9130	1991	T		S2	26766201003	000000 SUN	WALTHAM	1	S		9,500	SODIUM								
K7	0265	003			9130	1991	T		S2	26766201003	000000 SUN	WALTHAM	1	S		9,500	SODIUM								
K7	0265	005			9130	1991	T		S2	26766201003	000000 SUN	WALTHAM	1	S		9,500	SODIUM								
K7	0265	006			9130	1991	T		S2	26766201003	000000 SUN	WALTHAM	1	S		9,500	SODIUM								
K7	0267	002			9130	1991	T		S2	26766201003	000000 EVERGREEN	WALTHAM	1	S		9,500	SODIUM								
K7	0267	004			9130	1991	T		S2	26766201003	000000 EVERGREEN	WALTHAM	1	S		9,500	SODIUM								
K7	0268	002			9130	1989	T		S2	26766201003	000000 TAYLOR	WALTHAM	1	S		9,500	SODIUM								
K7	0268	003			9130	1989	T		S2	26766201003	000000 TAYLOR	WALTHAM	1	S		9,500	SODIUM								
K7	0268	004			9130	1989	T		S2	26766201003	000000 WAYNE	WALTHAM	1	S		9,500	SODIUM								
K7	0268	005			9130	1989	T		S2	26766201003	000000 TAYLOR	WALTHAM	1	S		9,500	SODIUM								
K7	0268	006		1	9130	1989	T		S2	26766201003	000000 TAYLOR	WALTHAM	1	S		9,500	SODIUM								
K7	0268	006		2	9130	1989	T		S2	26766201003	000000 WAYNE	WALTHAM	1	S		9,500	SODIUM								
K7	0268	008			9130	1989	T		S2	26766201003	000000 WAYNE	WALTHAM	1	S		9,500	SODIUM								
K7	0268	010		1	9130	1989	T		S2	26766201003	000000 TAYLOR	WALTHAM	1	S		9,500	SODIUM								
K7	0268	010		2	9130	1989	T		S2	26766201003	000000 WAYNE	WALTHAM	1	S		9,500	SODIUM								
K7	0268	011			9130	1989	T		S2	26766201003	000000 TAYLOR	WALTHAM	1	S		9,500	SODIUM								
K7	0268	012			9130	1989	T		S2	26766201003	000000 TAYLOR	WALTHAM	1	S		9,500	SODIUM								
K7	0268	015			9130	1989	T		S2	26766201003	000000 TAYLOR	WALTHAM	1	S		9,500	SODIUM								

CODE										LOCATION			EXISTING FIXTURE TYPE					PROPOSED FIXTURE TYPE				ENERGY SAVINGS		Comments	
TD	Route	Item	F	SF	Unit	Vint	CC	SM	S2	Account	ADDRESS	CITY	Qty	FT	LT	LUMENS	FT Description	Watts	Qty	FT Description	Lumens	Watts	kW Savings		kWh Savings
K7	0268	016			9130	1989	T		S2	26766201003	000000 TAYLOR	WALTHAM	1	S		9,500	SODIUM								
K7	0268	017			9130	1989	T		S2	26766201003	000000 TAYLOR	WALTHAM	1	S		9,500	SODIUM								
K7	0270	001			9130	1992	T		S2	26766201003	000000 TOLMAN	WALTHAM	1	S		9,500	SODIUM								
K7	0270	004			9130	1992	T		S2	26766201003	000000 TOLMAN	WALTHAM	1	S		9,500	SODIUM								
K7	0270	005			9130	1992	T		S2	26766201003	000000 TOLMAN	WALTHAM	1	S		9,500	SODIUM								
K7	0271	003			9130	1991	T		S2	26766201003	000000 TOMLIN	WALTHAM	1	S		9,500	SODIUM								
K7	0271	005			9130	1991	T		S2	26766201003	000000 TOMLIN	WALTHAM	1	S		9,500	SODIUM								
K7	0271	007			9130	1991	T		S2	26766201003	000000 TOMLIN	WALTHAM	1	S		9,500	SODIUM								
K7	0271	008			9130	1991	T		S2	26766201003	000000 TOMLIN	WALTHAM	1	S		9,500	SODIUM								
K7	0272	002			9130	1986	T		S2	26766201003	000000 NUTTING	WALTHAM	1	S		2,150	SODIUM								
K7	0272	004			9130	1986	T		S2	26766201003	000000 NUTTING	WALTHAM	1	S		2,150	SODIUM								
K7	0272	006			9130	1986	T		S2	26766201003	000000 NUTTING	WALTHAM	1	S		2,150	SODIUM								
K7	0273	002		1	0000	2012	T		S2	26766201003	000000 TOWNSEND	WALTHAM	1	D		1,688	LED								
K7	0273	002		2	9130	1992	T		S2	26766201003	000000 RIPLEY	WALTHAM	1	S		9,500	SODIUM								
K7	0273	002		3	9130	1991	T		S2	26766201003	000000 EDGEWATER	WALTHAM	1	S		9,500	SODIUM								
K7	0273	005			9130	1991	T		S2	26766201003	000000 EDGEWATER	WALTHAM	1	S		9,500	SODIUM								
K7	0273	007			9130	1991	T		S2	26766201003	000000 EDGEWATER	WALTHAM	1	S		9,500	SODIUM								
K7	0273	008			9130	1991	T		S2	26766201003	000000 EDGEWATER	WALTHAM	1	S		9,500	SODIUM								
K7	0273	010			9130	1991	T		S2	26766201003	000000 EDGEWATER	WALTHAM	1	S		9,500	SODIUM								
K7	0273	013			9130	1991	T		S2	26766201003	000000 EDGEWATER	WALTHAM	1	S		9,500	SODIUM								
K7	0273	015			9130	1991	T		S2	26766201003	000000 EDGEWATER	WALTHAM	1	S		9,500	SODIUM								
K7	0274	001			9130	1992	T		S2	26766201003	000000 RIVERSIDE	WALTHAM	1	S		9,500	SODIUM								
K7	0274	003			9130	1993	T		S2	26766201003	000000 TRAPELO	WALTHAM	1	S		25,000	SODIUM								
K7	0274	004		1	9130	1993	T		S2	26766201003	000000 TRAPELO	WALTHAM	1	S		25,000	SODIUM								
K7	0274	004		2	9130	1992	T		S2	26766201003	000000 RIVERSIDE	WALTHAM	1	S		9,500	SODIUM								
K7	0274	006			9130	1993	T		S2	26766201003	000000 TRAPELO	WALTHAM	1	S		25,000	SODIUM								
K7	0274	007		1	9130	1992	T		S2	26766201003	000000 RIVERSIDE	WALTHAM	1	S		9,500	SODIUM								
K7	0274	007		2	9130	1984	T		S2	26766201003	000000 TRAPELO	WALTHAM	1	S		25,000	SODIUM								
K7	0274	008			9130	1992	T		S2	26766201003	000000 RIVERSIDE	WALTHAM	1	S		9,500	SODIUM								
K7	0274	009			9130	1980	T		S2	26766201003	000000 TRAPELO	WALTHAM	1	S		25,000	SODIUM								
K7	0274	010			9130	1980	T		S2	26766201003	000000 TRAPELO	WALTHAM	1	S		25,000	SODIUM								
K7	0274	011			9130	1980	T		S2	26766201003	000000 TRAPELO	WALTHAM	1	S		25,000	SODIUM								
K7	0274	013			9130	1980	T		S2	26766201003	000000 TRAPELO	WALTHAM	1	S		25,000	SODIUM								
K7	0274	016			9130	1993	T		S2	26766201003	000000 TRAPELO	WALTHAM	1	S		25,000	SODIUM								
K7	0274	018			9130	1993	T		S2	26766201003	000000 TRAPELO	WALTHAM	1	S		25,000	SODIUM								
K7	0274	020		1	9130	1993	T		S2	26766201003	000000 TRAPELO	WALTHAM	1	S		9,500	SODIUM								
K7	0274	020		2	9130	1993	T		S2	26766201003	000000 TRAPELO	WALTHAM	1	S		25,000	SODIUM								
K7	0274	022			9130	1993	T		S2	26766201003	000000 TRAPELO	WALTHAM	1	S		25,000	SODIUM								
K7	0274	023			9130	1993	T		S2	26766201003	000000 TRAPELO	WALTHAM	1	S		25,000	SODIUM								
K7	0274	024			9130	1993	T		S2	26766201003	000000 TRAPELO	WALTHAM	1	S		25,000	SODIUM								
K7	0274	026			9130	1993	T		S2	26766201003	000000 TRAPELO	WALTHAM	1	S		25,000	SODIUM								
K7	0274	028			9130	1993	T		S2	26766201003	000000 TRAPELO	WALTHAM	1	S		25,000	SODIUM								
K7	0274	030			9130	1993	T		S2	26766201003	000000 TRAPELO	WALTHAM	1	S		25,000	SODIUM								
K7	0274	034			9130	1993	T		S2	26766201003	000000 TRAPELO	WALTHAM	1	S		25,000	SODIUM								
K7	0274	036			9130	1955	T		S2	26766201003	000000 TRAPELO	WALTHAM	1	S		25,000	SODIUM								
K7	0274	038			9130	1993	T		S2	26766201003	000000 TRAPELO	WALTHAM	1	S		25,000	SODIUM								
K7	0274	040			9130	1993	T		S2	26766201003	000000 TRAPELO	WALTHAM	1	S		25,000	SODIUM								
K7	0274	042			9130	1993	T		S2	26766201003	000000 TRAPELO	WALTHAM	1	S		25,000	SODIUM								
K7	0274	044			9130	1993	T		S2	26766201003	000000 TRAPELO	WALTHAM	1	S		25,000	SODIUM								
K7	0274	046			9130	1993	T		S2	26766201003	000000 TRAPELO	WALTHAM	1	S		25,000	SODIUM								

CODE										LOCATION			EXISTING FIXTURE TYPE					PROPOSED FIXTURE TYPE				ENERGY SAVINGS		Comments	
TD	Route	Item	F	SF	Unit	Vint	CC	SM	S2	Account	ADDRESS	CITY	Qty	FT	LT	LUMENS	FT Description	Watts	Qty	FT Description	Lumens	Watts	kW Savings		kWh Savings
K7	0274	048			9130	1993	T		S2	26766201003	000000 TRAPELO	WALTHAM	1	S		25,000	SODIUM								
K7	0274	050			9130	1993	T		S2	26766201003	000000 TRAPELO	WALTHAM	1	S		25,000	SODIUM								
K7	0274	052			9130	1993	T		S2	26766201003	000000 TRAPELO	WALTHAM	1	S		25,000	SODIUM								
K7	0274	054			9130	1993	T		S2	26766201003	000000 TRAPELO	WALTHAM	1	S		25,000	SODIUM								
K7	0274	056			9130	1993	T		S2	26766201003	000000 TRAPELO	WALTHAM	1	S		25,000	SODIUM								
K7	0274	057			9130	1993	T		S2	26766201003	000000 TRAPELO	WALTHAM	1	S		25,000	SODIUM								
K7	0274	058			9130	1993	T		S2	26766201003	000000 TRAPELO	WALTHAM	1	S		25,000	SODIUM								
K7	0274	060			9130	1993	T		S2	26766201003	000000 TRAPELO	WALTHAM	1	S		25,000	SODIUM								
K7	0274	062			9130	1993	T		S2	26766201003	000000 TRAPELO	WALTHAM	1	S		25,000	SODIUM								
K7	0274	064			9130	1993	T		S2	26766201003	000000 TRAPELO	WALTHAM	1	S		25,000	SODIUM								
K7	0274	066			0000	2015	T		S2	26766201003	000000 TRAPELO	WALTHAM	1	D		3,476	LED								
K7	0274	068			9130	1993	T		S2	26766201003	000000 TRAPELO	WALTHAM	1	S		25,000	SODIUM								
K7	0274	070			9130	1993	T		S2	26766201003	000000 TRAPELO	WALTHAM	1	S		25,000	SODIUM								
K7	0274	072			9130	1993	T		S2	26766201003	000000 TRAPELO	WALTHAM	1	S		25,000	SODIUM								
K7	0274	074			9130	1993	T		S2	26766201003	000000 TRAPELO	WALTHAM	1	S		25,000	SODIUM								
K7	0274	076			9130	1993	T		S2	26766201003	000000 TRAPELO	WALTHAM	1	S		25,000	SODIUM								
K7	0274	079			9130	1993	T		S2	26766201003	000000 TRAPELO	WALTHAM	1	S		25,000	SODIUM								
K7	0274	080			9130	1993	T		S2	26766201003	000000 TRAPELO	WALTHAM	1	S		25,000	SODIUM								
K7	0274	081			9130	1993	T		S2	26766201003	000000 TRAPELO	WALTHAM	1	S		25,000	SODIUM								
K7	0274	082			9130	1993	T		S2	26766201003	000000 TRAPELO	WALTHAM	1	S		25,000	SODIUM								
K7	0274	084			9130	1993	T		S2	26766201003	000000 TRAPELO	WALTHAM	1	S		25,000	SODIUM								
K7	0274	086			9130	1993	T		S2	26766201003	000000 TRAPELO	WALTHAM	1	S		25,000	SODIUM								
K7	0274	088			9130	1993	T		S2	26766201003	000000 TRAPELO	WALTHAM	1	S		25,000	SODIUM								
K7	0274	090			9130	1993	T		S2	26766201003	000000 TRAPELO	WALTHAM	1	S		25,000	SODIUM								
K7	0274	092			9130	1993	T		S2	26766201003	000000 TRAPELO	WALTHAM	1	S		25,000	SODIUM								
K7	0274	094			9130	1993	T		S2	26766201003	000000 TRAPELO	WALTHAM	1	S		25,000	SODIUM								
K7	0274	096			9130	1993	T		S2	26766201003	000000 TRAPELO	WALTHAM	1	S		25,000	SODIUM								
K7	0274	098			9130	1993	T		S2	26766201003	000000 TRAPELO	WALTHAM	1	S		25,000	SODIUM								
K7	0274	100			9130	1993	T		S2	26766201003	000000 TRAPELO	WALTHAM	1	S		25,000	SODIUM								
K7	0274	102			9130	1993	T		S2	26766201003	000000 TRAPELO	WALTHAM	1	S		25,000	SODIUM								
K7	0274	104			9130	1993	T		S2	26766201003	000000 TRAPELO	WALTHAM	1	S		25,000	SODIUM								
K7	0274	105			9130	1993	T		S2	26766201003	000000 TRAPELO	WALTHAM	1	S		25,000	SODIUM								
K7	0274	106			9130	1993	T		S2	26766201003	000000 TRAPELO	WALTHAM	1	S		25,000	SODIUM								
K7	0274	108		1	9130	1992	T		S2	26766201003	000000 TRAPELO	WALTHAM	1	S		25,000	SODIUM								
K7	0274	108		2	9130	1992	T		S2	26766201003	000000 TRAPELO	WALTHAM	1	S		25,000	SODIUM								
K7	0274	108		3	9130	1993	T		S2	26766201003	000000 TRAPELO	WALTHAM	1	S		25,000	SODIUM								
K7	0274	108		4	9130	1993	T		S2	26766201003	000000 TRAPELO	WALTHAM	1	S		25,000	SODIUM								
K7	0274	110			9130	1993	T		S2	26766201003	000000 TRAPELO	WALTHAM	1	S		25,000	SODIUM								
K7	0274	111			9130	1993	T		S2	26766201003	000000 TRAPELO	WALTHAM	1	S		25,000	SODIUM								
K7	0274	112			9130	1993	T		S2	26766201003	000000 TRAPELO	WALTHAM	1	S		25,000	SODIUM								
K7	0274	113			9130	1993	T		S2	26766201003	000000 TRAPELO	WALTHAM	1	S		25,000	SODIUM								
K7	0274	114			9130	1993	T		S2	26766201003	000000 TRAPELO	WALTHAM	1	S		25,000	SODIUM								
K7	0274	116			9130	1993	T		S2	26766201003	000000 TRAPELO	WALTHAM	1	S		25,000	SODIUM								
K7	0274	117			9130	1990	T		S2	26766201003	000000 TRAPELO	WALTHAM	1	S		25,000	SODIUM								
K7	0274	118			9130	1990	T		S2	26766201003	000000 TRAPELO	WALTHAM	1	S		25,000	SODIUM								
K7	0274	119			9130	1990	T		S2	26766201003	000000 TRAPELO	WALTHAM	1	S		25,000	SODIUM								
K7	0274	120			9130	1990	T		S2	26766201003	000000 TRAPELO	WALTHAM	1	S		25,000	SODIUM								
K7	0274	121			9130	1993	T		S2	26766201003	000000 TRAPELO	WALTHAM	1	S		25,000	SODIUM								
K7	0274	123			9130	1993	T		S2	26766201003	000000 TRAPELO	WALTHAM	1	S		25,000	SODIUM								
K7	0274	125			9130	1993	T		S2	26766201003	000000 TRAPELO	WALTHAM	1	S		25,000	SODIUM								

CODE										LOCATION			EXISTING FIXTURE TYPE					PROPOSED FIXTURE TYPE				ENERGY SAVINGS		Comments	
TD	Route	Item	F	SF	Unit	Vint	CC	SM	S2	Account	ADDRESS	CITY	Qty	FT	LT	LUMENS	FT Description	Watts	Qty	FT Description	Lumens	Watts	kW Savings		kWh Savings
K7	0274	127			9130	1993	T		S2	26766201003	000000 TRAPELO	WALTHAM	1	S		25,000	SODIUM								
K7	0274	129			9130	1993	T		S2	26766201003	000000 TRAPELO	WALTHAM	1	S		25,000	SODIUM								
K7	0274	131			9130	1993	T		S2	26766201003	000000 TRAPELO	WALTHAM	1	S		25,000	SODIUM								
K7	0274	133			9130	1993	T		S2	26766201003	000000 TRAPELO	WALTHAM	1	S		25,000	SODIUM								
K7	0274	135			9130	1993	T		S2	26766201003	000000 TRAPELO	WALTHAM	1	S		25,000	SODIUM								
K7	0274	137			9130	1993	T		S2	26766201003	000000 TRAPELO	WALTHAM	1	S		25,000	SODIUM								
K7	0274	139			9130	1993	T		S2	26766201003	000000 TRAPELO	WALTHAM	1	S		25,000	SODIUM								
K7	0274	141			9130	1993	T		S2	26766201003	000000 TRAPELO	WALTHAM	1	S		25,000	SODIUM								
K7	0274	143			9130	1993	T		S2	26766201003	000000 TRAPELO	WALTHAM	1	S		25,000	SODIUM								
K7	0274	145			9130	1993	T		S2	26766201003	000000 TRAPELO	WALTHAM	1	S		25,000	SODIUM								
K7	0274	147			9130	1993	T		S2	26766201003	000000 TRAPELO	WALTHAM	1	S		25,000	SODIUM								
K7	0274	149			9130	1993	T		S2	26766201003	000000 TRAPELO	WALTHAM	1	S		25,000	SODIUM								
K7	0274	151			9130	1993	T		S2	26766201003	000000 TRAPELO	WALTHAM	1	S		25,000	SODIUM								
K7	0274	153			9130	1993	T		S2	26766201003	000000 TRAPELO	WALTHAM	1	S		25,000	SODIUM								
K7	0274	154			9130	1993	T		S2	26766201003	000000 TRAPELO	WALTHAM	1	S		25,000	SODIUM								
K7	0274	155			9130	1993	T		S2	26766201003	000000 TRAPELO	WALTHAM	1	S		25,000	SODIUM								
K7	0274	157			9130	1993	T		S2	26766201003	000000 TRAPELO	WALTHAM	1	S		25,000	SODIUM								
K7	0274	159			9130	1993	T		S2	26766201003	000000 TRAPELO	WALTHAM	1	S		25,000	SODIUM								
K7	0274	161			9130	1993	T		S2	26766201003	000000 TRAPELO	WALTHAM	1	S		25,000	SODIUM								
K7	0274	163			9130	1993	T		S2	26766201003	000000 TRAPELO	WALTHAM	1	S		25,000	SODIUM								
K7	0274	164			9130	1993	T		S2	26766201003	000000 TRAPELO	WALTHAM	1	S		25,000	SODIUM								
K7	0274	165			9130	1993	T		S2	26766201003	000000 TRAPELO	WALTHAM	1	S		25,000	SODIUM								
K7	0274	166			9130	1993	T		S2	26766201003	000000 TRAPELO	WALTHAM	1	S		25,000	SODIUM								
K7	0274	170			9130	1994	T		S2	26766201003	000000 TRAPELO	WALTHAM	1	S		16,000	SODIUM								
K7	0274	173			9130	1995	T		S2	26766201003	000000 TRAPELO	WALTHAM	1	S		45,000	SODIUM								
K7	0274	174			9130	1993	T		S2	26766201003	000000 TRAPELO	WALTHAM	1	S		25,000	SODIUM								
K7	0274	176			9130	1993	T		S2	26766201003	000000 TRAPELO	WALTHAM	1	S		25,000	SODIUM								
K7	0274	178			9130	1993	T		S2	26766201003	000000 TRAPELO	WALTHAM	1	S		25,000	SODIUM								
K7	0274	180			9130	1989	T		S2	26766201003	000000 TRAPELO	WALTHAM	1	S		16,000	SODIUM								
K7	0274	181			9130	1989	T		S2	26766201003	000000 TRAPELO	WALTHAM	1	S		16,000	SODIUM								
K7	0274	182			9130	1994	T		S2	26766201003	000000 TRAPELO	WALTHAM	1	S		16,000	SODIUM								
K7	0274	183			9130	1995	T		S2	26766201003	000000 TRAPELO	WALTHAM	1	S		45,000	SODIUM								
K7	0274	184			9130	1989	T		S2	26766201003	000000 TRAPELO	WALTHAM	1	S		16,000	SODIUM								
K7	0274	185		1	9130	1995	T		S2	26766201003	000000 TRAPELO	WALTHAM	1	S		45,000	SODIUM								
K7	0274	185		2	9130	1995	T		S2	26766201003	000000 TRAPELO	WALTHAM	1	S		16,000	SODIUM								
K7	0274	186			9130	1995	T		S2	26766201003	000000 TRAPELO	WALTHAM	1	S		45,000	SODIUM								
K7	0274	187			9130	1989	T		S2	26766201003	000000 TRAPELO	WALTHAM	1	S		16,000	SODIUM								
K7	0274	189			9130	1989	T		S2	26766201003	000000 TRAPELO	WALTHAM	1	S		16,000	SODIUM								
K7	0274	192			9130	1989	T		S2	26766201003	000000 TRAPELO	WALTHAM	1	S		16,000	SODIUM								
K7	0274	193			9130	1989	T		S2	26766201003	000000 TRAPELO	WALTHAM	1	S		16,000	SODIUM								
K7	0274	195			9130	1989	T		S2	26766201003	000000 TRAPELO	WALTHAM	1	S		16,000	SODIUM								
K7	0274	197			9130	1989	T		S2	26766201003	000000 TRAPELO	WALTHAM	1	S		16,000	SODIUM								
K7	0274	198			9130	1989	T		S2	26766201003	000000 TRAPELO	WALTHAM	1	S		16,000	SODIUM								
K7	0274	200			9130	1989	T		S2	26766201003	000000 TRAPELO	WALTHAM	1	S		16,000	SODIUM								
K7	0274	201			0000	2015	T		S2	26766201003	000000 TRAPELO	WALTHAM	1	D		3,476	LED								
K7	0274	204			0000	2015	T		S2	26766201003	000000 TRAPELO	WALTHAM	1	D		3,476	LED								
K7	0274	205			9130	1989	T		S2	26766201003	000000 TRAPELO	WALTHAM	1	S		16,000	SODIUM								
K7	0274	208			9130	1989	T		S2	26766201003	000000 TRAPELO	WALTHAM	1	S		16,000	SODIUM								
K7	0274	210			9130	1989	T		S2	26766201003	000000 TRAPELO	WALTHAM	1	S		16,000	SODIUM								
K7	0274	212			9130	1989	T		S2	26766201003	000000 TRAPELO	WALTHAM	1	S		16,000	SODIUM								

CODE										LOCATION			EXISTING FIXTURE TYPE					PROPOSED FIXTURE TYPE				ENERGY SAVINGS		Comments	
TD	Route	Item	F	SF	Unit	Vint	CC	SM	S2	Account	ADDRESS	CITY	Qty	FT	LT	LUMENS	FT Description	Watts	Qty	FT Description	Lumens	Watts	kW Savings		kWh Savings
K7	0274	214			9130	1989	T		S2	26766201003	000000 TRAPELO	WALTHAM	1	S		16,000	SODIUM								
K7	0274	216			9130	1989	T		S2	26766201003	000000 TRAPELO	WALTHAM	1	S		16,000	SODIUM								
K7	0275	001		1	9130	1992	T		S2	26766201003	000000 TURNER	WALTHAM	1	S		9,500	SODIUM								
K7	0275	001		2	9130	1991	T		S2	26766201003	000000 COLONIAL	WALTHAM	1	S		9,500	SODIUM								
K7	0275	003		1	9130	1992	T		S2	26766201003	000000 TURNER	WALTHAM	1	S		9,500	SODIUM								
K7	0275	003		2	9130	1991	T		S2	26766201003	000000 COLONIAL	WALTHAM	1	S		9,500	SODIUM								
K7	0275	005		1	9130	1992	T		S2	26766201003	000000 TURNER	WALTHAM	1	S		9,500	SODIUM								
K7	0275	005		2	9130	1991	T		S2	26766201003	000000 COLONIAL	WALTHAM	1	S		9,500	SODIUM								
K7	0275	007		1	9130	1992	T		S2	26766201003	000000 TURNER	WALTHAM	1	S		9,500	SODIUM								
K7	0275	007		2	9130	1991	T		S2	26766201003	000000 COLONIAL	WALTHAM	1	S		9,500	SODIUM								
K7	0275	008			9130	1991	T		S2	26766201003	000000 COLONIAL	WALTHAM	1	S		9,500	SODIUM								
K7	0275	009			9130	1992	T		S2	26766201003	000000 TURNER	WALTHAM	1	S		9,500	SODIUM								
K7	0275	010			9130	1991	T		S2	26766201003	000000 COLONIAL	WALTHAM	1	S		9,500	SODIUM								
K7	0275	011			9130	1991	T		S2	26766201003	000000 COLONIAL	WALTHAM	1	S		9,500	SODIUM								
K7	0275	013			9130	1991	T		S2	26766201003	000000 COLONIAL	WALTHAM	1	S		9,500	SODIUM								
K7	0275	014			9130	1991	T		S2	26766201003	000000 COLONIAL	WALTHAM	1	S		9,500	SODIUM								
K7	0275	015			9130	1991	T		S2	26766201003	000000 COLONIAL	WALTHAM	1	S		9,500	SODIUM								
K7	0275	017			9130	1991	T		S2	26766201003	000000 COLONIAL	WALTHAM	1	S		9,500	SODIUM								
K7	0276	001			9130	1991	T		S2	26766201003	000000 ALLEN	WALTHAM	1	S		9,500	SODIUM								
K7	0276	003		1	9130	1992	T		S2	26766201003	000000 UNDERWOOD	WALTHAM	1	S		9,500	SODIUM								
K7	0276	003		2	9130	1991	T		S2	26766201003	000000 ALLEN	WALTHAM	1	S		9,500	SODIUM								
K7	0276	005			9130	1992	T		S2	26766201003	000000 UNDERWOOD	WALTHAM	1	S		9,500	SODIUM								
K7	0277	001			9130	1991	T		S2	26766201003	000000 HAGAR	WALTHAM	1	S		9,500	SODIUM								
K7	0277	002			9130	1991	T		S2	26766201003	000000 ABERDEEN	WALTHAM	1	S		9,500	SODIUM								
K7	0277	003			9130	1991	T		S2	26766201003	000000 HAGAR	WALTHAM	1	S		9,500	SODIUM								
K7	0277	005			9130	1991	T		S2	26766201003	000000 ABERDEEN	WALTHAM	1	S		9,500	SODIUM								
K7	0278	001			9130	1992	T		S2	26766201003	000000 VARNUM	WALTHAM	1	S		9,500	SODIUM								
K7	0278	002			9130	1992	T		S2	26766201003	000000 VARNUM	WALTHAM	1	S		9,500	SODIUM								
K7	0278	004			9130	1992	T		S2	26766201003	000000 VARNUM	WALTHAM	1	S		9,500	SODIUM								
K7	0279	002			9130	1991	T		S2	26766201003	000000 MARYTN	WALTHAM	1	S		9,500	SODIUM								
K7	0279	003			9130	1988	T		S2	26766201003	000000 VERNON	WALTHAM	1	S		16,000	SODIUM								
K7	0279	005			9130	1988	T		S2	26766201003	000000 VERNON	WALTHAM	1	S		16,000	SODIUM								
K7	0279	007			9130	1988	T		S2	26766201003	000000 VERNON	WALTHAM	1	S		16,000	SODIUM								
K7	0279	009			9130	1988	T		S2	26766201003	000000 VERNON	WALTHAM	1	S		16,000	SODIUM								
K7	0279	011			9130	1988	T		S2	26766201003	000000 VERNON	WALTHAM	1	S		16,000	SODIUM								
K7	0279	012			9130	1988	T		S2	26766201003	000000 VERNON	WALTHAM	1	S		16,000	SODIUM								
K7	0279	014			9130	1988	T		S2	26766201003	000000 VERNON	WALTHAM	1	S		16,000	SODIUM								
K7	0279	015			9130	1988	T		S2	26766201003	000000 VERNON	WALTHAM	1	S		16,000	SODIUM								
K7	0280	001			9130	1992	T		S2	26766201003	000000 SMITH	WALTHAM	1	S		9,500	SODIUM								
K7	0280	003			9130	1992	T		S2	26766201003	000000 SMITH	WALTHAM	1	S		9,500	SODIUM								
K7	0280	006			9130	1992	T		S2	26766201003	000000 SMITH	WALTHAM	1	S		9,500	SODIUM								
K7	0280	008			9130	1992	T		S2	26766201003	000000 SMITH	WALTHAM	1	S		9,500	SODIUM								
K7	0280	010			9130	1992	T		S2	26766201003	000000 SMITH	WALTHAM	1	S		9,500	SODIUM								
K7	0280	012			9130	1992	T		S2	26766201003	000000 SMITH	WALTHAM	1	S		9,500	SODIUM								
K7	0280	020			9130	1992	T		S2	26766201003	000000 SMITH	WALTHAM	1	S		9,500	SODIUM								
K7	0280	022			9130	1992	T		S2	26766201003	000000 SMITH	WALTHAM	1	S		9,500	SODIUM								
K7	0280	024			9130	1992	T		S2	26766201003	000000 SMITH	WALTHAM	1	S		9,500	SODIUM								
K7	0280	026			9130	1992	T		S2	26766201003	000000 SMITH	WALTHAM	1	S		9,500	SODIUM								
K7	0280	028			0000	2012	T		S2	26766201003	000000 SMITH	WALTHAM	1	D		3,562	LED								
K7	0281	001			9130	1992	T		S2	26766201003	000014 WADSWORTH	WALTHAM	1	S		9,500	SODIUM								

CODE										LOCATION			EXISTING FIXTURE TYPE					PROPOSED FIXTURE TYPE				ENERGY SAVINGS		Comments	
TD	Route	Item	F	SF	Unit	Vint	CC	SM	S2	Account	ADDRESS	CITY	Qty	FT	LT	LUMENS	FT Description	Watts	Qty	FT Description	Lumens	Watts	kW Savings		kWh Savings
K7	0281	003			9130	1992	T		S2	26766201003	000000 WADSWORTH	WALTHAM	1	S		9,500	SODIUM								
K7	0281	004			9130	1992	T		S2	26766201003	000000 WADSWORTH	WALTHAM	1	S		9,500	SODIUM								
K7	0281	005			9130	1992	T		S2	26766201003	000000 WADSWORTH	WALTHAM	1	S		9,500	SODIUM								
K7	0282	001			9130	1989	T		S2	26766201003	000000 GALE	WALTHAM	1	S		9,500	SODIUM								
K7	0282	003			9130	1989	T		S2	26766201003	000000 GALE	WALTHAM	1	S		9,500	SODIUM								
K7	0282	005			9130	1989	T		S2	26766201003	000000 GALE	WALTHAM	1	S		9,500	SODIUM								
K7	0282	007			9130	1989	T		S2	26766201003	000000 GALE	WALTHAM	1	S		9,500	SODIUM								
K7	0283	002			9130	1992	T		S2	26766201003	000000 WALNUT	WALTHAM	1	S		9,500	SODIUM								
K7	0283	003			9130	1992	T		S2	26766201003	000000 WALNUT	WALTHAM	1	S		9,500	SODIUM								
K7	0283	004			9130	1992	T		S2	26766201003	000000 WALNUT	WALTHAM	1	S		9,500	SODIUM								
K7	0283	005			9130	1992	T		S2	26766201003	000000 WALNUT	WALTHAM	1	S		9,500	SODIUM								
K7	0283	007			9130	1992	T		S2	26766201003	000000 WALNUT	WALTHAM	1	S		9,500	SODIUM								
K7	0283	009			9130	1992	T		S2	26766201003	000000 WALNUT	WALTHAM	1	S		9,500	SODIUM								
K7	0284	002			0000	2012	T		S2	26766201003	000000 WARREN	WALTHAM	1	D		3,562	LED								
K7	0284	003			0000	2012	T		S2	26766201003	000000 WARREN	WALTHAM	1	D		3,562	LED								
K7	0284	004			9130	1980	T		S2	26766201003	000000 WARREN	WALTHAM	1	S		45,000	SODIUM								
K7	0284	005			9130	1980	T		S2	26766201003	000000 WARREN	WALTHAM	1	S		45,000	SODIUM								
K7	0284	006			9130	1980	T		S2	26766201003	000000 WARREN	WALTHAM	1	S		45,000	SODIUM								
K7	0284	007			9130	1980	T		S2	26766201003	000000 WARREN	WALTHAM	1	S		45,000	SODIUM								
K7	0284	008			0000	2012	T		S2	26766201003	000000 WARREN	WALTHAM	1	D		3,562	LED								
K7	0284	009			0000	2012	T		S2	26766201003	000000 WARREN	WALTHAM	1	D		3,562	LED								
K7	0284	010			0000	2012	T		S2	26766201003	000000 WARREN	WALTHAM	1	D		3,562	LED								
K7	0284	011			0000	2012	T		S2	26766201003	000000 WARREN	WALTHAM	1	D		3,562	LED								
K7	0284	012			0000	2012	T		S2	26766201003	000000 WARREN	WALTHAM	1	D		3,562	LED								
K7	0284	013			0000	2012	T		S2	26766201003	000000 WARREN	WALTHAM	1	D		3,562	LED								
K7	0284	014			0000	2012	T		S2	26766201003	000000 WARREN	WALTHAM	1	D		3,562	LED								
K7	0284	015			0000	2012	T		S2	26766201003	000000 WARREN	WALTHAM	1	D		3,562	LED								
K7	0284	017			0000	2012	T		S2	26766201003	000000 WARREN	WALTHAM	1	D		3,562	LED								
K7	0284	018			0000	2012	T		S2	26766201003	000000 WARREN	WALTHAM	1	D		3,562	LED								
K7	0284	020			0000	2012	T		S2	26766201003	000000 WARREN	WALTHAM	1	D		3,562	LED								
K7	0284	021			0000	2012	T		S2	26766201003	000000 WARREN	WALTHAM	1	D		3,562	LED								
K7	0284	022			0000	2012	T		S2	26766201003	000000 WARREN	WALTHAM	1	D		3,562	LED								
K7	0284	023			0000	2012	T		S2	26766201003	000000 WARREN	WALTHAM	1	D		3,562	LED								
K7	0284	024			0000	2012	T		S2	26766201003	000000 WARREN	WALTHAM	1	D		3,562	LED								
K7	0284	026			0000	2012	T		S2	26766201003	000000 WARREN	WALTHAM	1	D		3,562	LED								
K7	0284	028			0000	2012	T		S2	26766201003	000000 WARREN	WALTHAM	1	D		3,562	LED								
K7	0284	029			0000	2012	T		S2	26766201003	000000 WARREN	WALTHAM	1	D		3,562	LED								
K7	0284	031			0000	2012	T		S2	26766201003	000000 WARREN	WALTHAM	1	D		3,562	LED								
K7	0284	032			0000	2012	T		S2	26766201003	000000 WARREN	WALTHAM	1	D		3,562	LED								
K7	0284	033			0000	2012	T		S2	26766201003	000000 WARREN	WALTHAM	1	D		3,562	LED								
K7	0284	034			0000	2012	T		S2	26766201003	000000 WARREN	WALTHAM	1	D		3,562	LED								
K7	0284	035			0000	2012	T		S2	26766201003	000000 WARREN	WALTHAM	1	D		3,562	LED								
K7	0284	036			0000	2012	T		S2	26766201003	000000 WARREN	WALTHAM	1	D		3,562	LED								
K7	0284	037			0000	2012	T		S2	26766201003	000000 WARREN	WALTHAM	1	D		3,562	LED								
K7	0284	038			0000	2012	T		S2	26766201003	000000 WARREN	WALTHAM	1	D		3,562	LED								
K7	0284	039			0000	2012	T		S2	26766201003	000000 WARREN	WALTHAM	1	D		3,562	LED								
K7	0284	040			0000	2012	T		S2	26766201003	000000 WARREN	WALTHAM	1	D		3,562	LED								
K7	0285	001			9130	1992	T		S2	26766201003	000000 WARREN	WALTHAM	1	S		9,500	SODIUM								
K7	0285	003			9130	1992	T		S2	26766201003	000000 WARREN	WALTHAM	1	S		9,500	SODIUM								
K7	0285	005			9130	1992	T		S2	26766201003	000000 WARREN	WALTHAM	1	S		9,500	SODIUM								

CODE										LOCATION			EXISTING FIXTURE TYPE					PROPOSED FIXTURE TYPE				ENERGY SAVINGS		Comments	
TD	Route	Item	F	SF	Unit	Vint	CC	SM	S2	Account	ADDRESS	CITY	Qty	FT	LT	LUMENS	FT Description	Watts	Qty	FT Description	Lumens	Watts	kW Savings		kWh Savings
K7	0286	002			9130	1992	T		S2	26766201003	000000 WASHINGTON	WALTHAM	1	S		9,500	SODIUM								
K7	0286	004			9130	1992	T		S2	26766201003	000000 WASHINGTON	WALTHAM	1	S		9,500	SODIUM								
K7	0286	006			9130	1992	T		S2	26766201003	000000 WASHINGTON	WALTHAM	1	S		9,500	SODIUM								
K7	0286	008			9130	1992	T		S2	26766201003	000000 WASHINGTON	WALTHAM	1	S		9,500	SODIUM								
K7	0286	013			9130	1992	T		S2	26766201003	000000 WASHINGTON	WALTHAM	1	S		9,500	SODIUM								
K7	0287	001			9130	1992	T		S2	26766201003	000000 WATER	WALTHAM	1	S		9,500	SODIUM								
K7	0287	003			9130	1992	T		S2	26766201003	000000 WATER	WALTHAM	1	S		9,500	SODIUM								
K7	0290	002			9130	1991	T		S2	26766201003	000000 DENNISON	WALTHAM	1	S		9,500	SODIUM								
K7	0290	004			9130	1991	T		S2	26766201003	000000 DENNISON	WALTHAM	1	S		9,500	SODIUM								
K7	0291	002			9130	1989	T		S2	26766201003	000000 WELLINGTON	WALTHAM	1	S		9,500	SODIUM								
K7	0291	003			9130	1989	T		S2	26766201003	000000 WELLINGTON	WALTHAM	1	S		9,500	SODIUM								
K7	0291	005			9130	1989	T		S2	26766201003	000000 WELLINGTON	WALTHAM	1	S		9,500	SODIUM								
K7	0291	007			9130	1989	T		S2	26766201003	000000 WELLINGTON	WALTHAM	1	S		9,500	SODIUM								
K7	0291	008			9130	1986	T		S2	26766201003	000000 WELLINGTON	WALTHAM	1	S		16,000	SODIUM								
K7	0292	002		1	9130	1992	T		S2	26766201003	000000 RANGLEY	WALTHAM	1	S		9,500	SODIUM								
K7	0292	002		2	9130	1988	T		S2	26766201003	000000 BENNETT	WALTHAM	1	S		4,000	SODIUM								
K7	0292	004			9130	1988	T		S2	26766201003	000000 BENNETT	WALTHAM	1	S		4,000	SODIUM								
K7	0292	006			9130	1988	T		S2	26766201003	000000 BENNETT	WALTHAM	1	S		4,000	SODIUM								
K7	0292	007			9130	1988	T		S2	26766201003	000000 BENNETT	WALTHAM	1	S		4,000	SODIUM								
K7	0292	009			9130	1988	T		S2	26766201003	000000 BENNETT	WALTHAM	1	S		4,000	SODIUM								
K7	0293	000			9130	1986	T		S2	26766201003	000000 WEST	WALTHAM	1	S		25,000	SODIUM								
K7	0293	001			9130	1984	T		S2	26766201003	000000 WEST	WALTHAM	1	S		25,000	SODIUM								
K7	0293	002		1	9130	1991	T		S2	26766201003	000000 KNOLLWOOD	WALTHAM	1	S		9,500	SODIUM								
K7	0293	002		2	9130	1988	T		S2	26766201003	000000 WEST	WALTHAM	1	S		25,000	SODIUM								
K7	0293	004			9130	1988	T		S2	26766201003	000000 WEST	WALTHAM	1	S		25,000	SODIUM								
K7	0293	005			9130	1991	T		S2	26766201003	000000 KNOLLWOOD	WALTHAM	1	S		9,500	SODIUM								
K7	0293	006			9130	1988	T		S2	26766201003	000000 WEST	WALTHAM	1	S		25,000	SODIUM								
K7	0293	007			9130	1991	T		S2	26766201003	000000 KNOLLWOOD	WALTHAM	1	S		9,500	SODIUM								
K7	0293	008			9130	1988	T		S2	26766201003	000000 WEST	WALTHAM	1	S		25,000	SODIUM								
K7	0293	009			9130	1991	T		S2	26766201003	000000 KNOLLWOOD	WALTHAM	1	S		9,500	SODIUM								
K7	0293	010			9130	1988	T		S2	26766201003	000000 WEST	WALTHAM	1	S		25,000	SODIUM								
K7	0293	011			9130	1991	T		S2	26766201003	000000 KNOLLWOOD	WALTHAM	1	S		9,500	SODIUM								
K7	0293	012			9130	1988	T		S2	26766201003	000000 WEST	WALTHAM	1	S		25,000	SODIUM								
K7	0293	013			9130	1991	T		S2	26766201003	000000 KNOLLWOOD	WALTHAM	1	S		9,500	SODIUM								
K7	0293	014			9130	1988	T		S2	26766201003	000000 WEST	WALTHAM	1	S		25,000	SODIUM								
K7	0293	016			9130	1988	T		S2	26766201003	000000 WEST	WALTHAM	1	S		25,000	SODIUM								
K7	0293	018			9130	1988	T		S2	26766201003	000000 WEST	WALTHAM	1	S		25,000	SODIUM								
K7	0293	020			9130	1988	T		S2	26766201003	000000 WEST	WALTHAM	1	S		25,000	SODIUM								
K7	0293	021			9130	1988	T		S2	26766201003	000000 WEST	WALTHAM	1	S		25,000	SODIUM								
K7	0293	022			9130	1988	T		S2	26766201003	000000 WEST	WALTHAM	1	S		25,000	SODIUM								
K7	0294	001			9130	1988	T		S2	26766201003	000000 WESTON	WALTHAM	1	S		25,000	SODIUM								
K7	0294	002			9130	1988	T		S2	26766201003	000000 WESTON	WALTHAM	1	S		25,000	SODIUM								
K7	0294	003			9130	1988	T		S2	26766201003	000000 WESTON	WALTHAM	1	S		25,000	SODIUM								
K7	0294	004			9130	1988	T		S2	26766201003	000000 WESTON	WALTHAM	1	S		25,000	SODIUM								
K7	0294	005			9130	1988	T		S2	26766201003	000000 WESTON	WALTHAM	1	S		25,000	SODIUM								
K7	0294	006			9130	1988	T		S2	26766201003	000000 WESTON	WALTHAM	1	S		25,000	SODIUM								
K7	0294	007			9130	1958	T		S2	26766201003	000000 WESTON	WALTHAM	1	S		25,000	SODIUM								
K7	0294	009			9130	1988	T		S2	26766201003	000000 WESTON	WALTHAM	1	S		25,000	SODIUM								
K7	0294	010			9130	1988	T		S2	26766201003	000000 WESTON	WALTHAM	1	S		25,000	SODIUM								
K7	0294	011			9130	1988	T		S2	26766201003	000000 WESTON	WALTHAM	1	S		25,000	SODIUM								

CODE										LOCATION			EXISTING FIXTURE TYPE					PROPOSED FIXTURE TYPE				ENERGY SAVINGS		Comments	
TD	Route	Item	F	SF	Unit	Vint	CC	SM	S2	Account	ADDRESS	CITY	Qty	FT	LT	LUMENS	FT Description	Watts	Qty	FT Description	Lumens	Watts	kW Savings		kWh Savings
K7	0294	012			9130	1988	T		S2	26766201003	000000 WESTON	WALTHAM	1	S		25,000	SODIUM								
K7	0294	014			9130	1988	T		S2	26766201003	000000 WESTON	WALTHAM	1	S		25,000	SODIUM								
K7	0294	015			9130	1988	T		S2	26766201003	000000 WESTON	WALTHAM	1	S		25,000	SODIUM								
K7	0294	016			9130	1988	T		S2	26766201003	000000 WESTON	WALTHAM	1	S		25,000	SODIUM								
K7	0294	017			9130	1988	T		S2	26766201003	000000 WESTON	WALTHAM	1	S		25,000	SODIUM								
K7	0294	018			9130	1988	T		S2	26766201003	000000 WESTON	WALTHAM	1	S		25,000	SODIUM								
K7	0294	019			9130	1988	T		S2	26766201003	000000 WESTON	WALTHAM	1	S		25,000	SODIUM								
K7	0294	020			9130	1988	T		S2	26766201003	000000 WESTON	WALTHAM	1	S		25,000	SODIUM								
K7	0294	021			9130	1988	T		S2	26766201003	000000 WESTON	WALTHAM	1	S		25,000	SODIUM								
K7	0294	022			9130	1988	T		S2	26766201003	000000 WESTON	WALTHAM	1	S		25,000	SODIUM								
K7	0294	023			9130	1988	T		S2	26766201003	000000 WESTON	WALTHAM	1	S		25,000	SODIUM								
K7	0294	024			9130	1988	T		S2	26766201003	000000 WESTON	WALTHAM	1	S		25,000	SODIUM								
K7	0294	025			9130	1988	T		S2	26766201003	000000 WESTON	WALTHAM	1	S		25,000	SODIUM								
K7	0294	026			9130	1988	T		S2	26766201003	000000 WESTON	WALTHAM	1	S		25,000	SODIUM								
K7	0294	027			9130	1988	T		S2	26766201003	000000 WESTON	WALTHAM	1	S		25,000	SODIUM								
K7	0294	028		1	9130	1988	T		S2	26766201003	000000 WESTON	WALTHAM	1	S		25,000	SODIUM								
K7	0294	028		2	9130	1988	T		S2	26766201003	000000 WESTON	WALTHAM	1	S		25,000	SODIUM								
K7	0294	029			9130	1988	T		S2	26766201003	000000 WESTON	WALTHAM	1	S		25,000	SODIUM								
K7	0294	030			9130	1988	T		S2	26766201003	000000 WESTON	WALTHAM	1	S		25,000	SODIUM								
K7	0294	031			9130	1988	T		S2	26766201003	000000 WESTON	WALTHAM	1	S		25,000	SODIUM								
K7	0294	032			9130	1988	T		S2	26766201003	000000 WESTON	WALTHAM	1	S		25,000	SODIUM								
K7	0294	033			9130	1959	T		S2	26766201003	000000 WESTON	WALTHAM	1	S		25,000	SODIUM								
K7	0294	034			9130	1959	T		S2	26766201003	000000 WESTON	WALTHAM	1	S		25,000	SODIUM								
K7	0294	035			9130	1988	T		S2	26766201003	000000 WESTON	WALTHAM	1	S		25,000	SODIUM								
K7	0296	001			9130	1991	T		S2	26766201003	000000 GROSVENOR	WALTHAM	1	S		9,500	SODIUM								
K7	0296	002			9130	1992	T		S2	26766201003	000000 WHITNEY	WALTHAM	1	S		9,500	SODIUM								
K7	0296	003			9130	1991	T		S2	26766201003	000000 GROSVENOR	WALTHAM	1	S		9,500	SODIUM								
K7	0297	002			9130	1991	T		S2	26766201003	000000 DOUGLAS	WALTHAM	1	S		9,500	SODIUM								
K7	0297	004			9130	1991	T		S2	26766201003	000000 DOUGLAS	WALTHAM	1	S		9,500	SODIUM								
K7	0298	001			0000	2012	T		S2	26766201003	000000 WILLIAMS	WALTHAM	1	D		1,688	LED								
K7	0298	002			9130	1991	T		S2	26766201003	000000 HAGAR	WALTHAM	1	S		9,500	SODIUM								
K7	0298	003			0000	2012	T		S2	26766201003	000000 WILLIAMS	WALTHAM	1	D		1,688	LED								
K7	0298	004			0000	2012	T		S2	26766201003	000000 WILLIAMS	WALTHAM	1	D		1,688	LED								
K7	0298	005		1	0000	2012	T		S2	26766201003	000000 WILLIAMS	WALTHAM	1	D		1,688	LED								
K7	0298	005		2	9130	1991	T		S2	26766201003	000000 HAGAR	WALTHAM	1	S		9,500	SODIUM								
K7	0299	001			0000	2012	T		S2	26766201003	000000 WILLOW	WALTHAM	1	D		4,897	LED								
K7	0299	002			0000	2012	T		S2	26766201003	000000 WILLOW	WALTHAM	1	D		4,897	LED								
K7	0299	003			0000	2012	T		S2	26766201003	000000 WILLOW	WALTHAM	1	D		4,897	LED								
K7	0299	004			0000	2012	T		S2	26766201003	000000 WILLOW	WALTHAM	1	D		4,897	LED								
K7	0299	005			0000	2012	T		S2	26766201003	000000 WILLOW	WALTHAM	1	D		4,897	LED								
K7	0299	006			0000	2012	T		S2	26766201003	000000 WILLOW	WALTHAM	1	D		4,897	LED								
K7	0299	007			0000	2012	T		S2	26766201003	000000 WILLOW	WALTHAM	1	D		4,897	LED								
K7	0299	008			0000	2012	T		S2	26766201003	000000 WILLOW	WALTHAM	1	D		4,897	LED								
K7	0299	009			0000	2012	T		S2	26766201003	000000 WILLOW	WALTHAM	1	D		4,897	LED								
K7	0299	010			0000	2012	T		S2	26766201003	000000 WILLOW	WALTHAM	1	D		4,897	LED								
K7	0299	011			0000	2012	T		S2	26766201003	000000 WILLOW	WALTHAM	1	D		4,897	LED								
K7	0299	012			0000	2012	T		S2	26766201003	000000 WILLOW	WALTHAM	1	D		4,897	LED								
K7	0299	013			0000	2012	T		S2	26766201003	000000 WILLOW	WALTHAM	1	D		4,897	LED								
K7	0299	014			0000	2012	T		S2	26766201003	000000 WILLOW	WALTHAM	1	D		4,897	LED								
K7	0299	015			0000	2012	T		S2	26766201003	000000 WILLOW	WALTHAM	1	D		4,897	LED								

CODE										LOCATION			EXISTING FIXTURE TYPE					PROPOSED FIXTURE TYPE				ENERGY SAVINGS		Comments		
TD	Route	Item	F	SF	Unit	Vint	CC	SM	S2	Account	ADDRESS	CITY	Qty	FT	LT	LUMENS	FT Description	Watts	Qty	FT Description	Lumens	Watts	kW Savings		kWh Savings	
K7	0299	016			0000	2012	T		S2	26766201003	000000 WILLOW	WALTHAM	1	D		4,897	LED									
K7	0299	017			0000	2012	T		S2	26766201003	000000 WILLOW	WALTHAM	1	D		4,897	LED									
K7	0299	018			0000	2012	T		S2	26766201003	000000 WILLOW	WALTHAM	1	D		4,897	LED									
K7	0299	019			0000	2012	T		S2	26766201003	000000 WILLOW	WALTHAM	1	D		4,897	LED									
K7	0299	020			0000	2012	T		S2	26766201003	000000 WILLOW	WALTHAM	1	D		4,897	LED									
K7	0299	021			0000	2012	T		S2	26766201003	000000 WILLOW	WALTHAM	1	D		4,897	LED									
K7	0299	022			0000	2012	T		S2	26766201003	000000 WILLOW	WALTHAM	1	D		4,897	LED									
K7	0300	001			9130	1991	T		S2	26766201003	000000 BERKSHIRE	WALTHAM	1	S		9,500	SODIUM									
K7	0300	002			9130	1992	T		S2	26766201003	000000 RICHGRAIN	WALTHAM	1	S		9,500	SODIUM									
K7	0300	003			9130	1991	T		S2	26766201003	000000 BERKSHIRE	WALTHAM	1	S		9,500	SODIUM									
K7	0300	005		1	9130	1992	T		S2	26766201003	000000 RICHGRAIN	WALTHAM	1	S		9,500	SODIUM									
K7	0300	005		2	9130	1991	T		S2	26766201003	000000 BERKSHIRE	WALTHAM	1	S		9,500	SODIUM									
K7	0300	008			9130	1992	T		S2	26766201003	000000 RICHGRAIN	WALTHAM	1	S		9,500	SODIUM									
K7	0301	001			0000	2012	T		S2	26766201003	000000 WINTER	WALTHAM	1	D		1,688	LED									
K7	0301	003			0000	2012	T		S2	26766201003	000000 WINTER	WALTHAM	1	D		1,688	LED									
K7	0301	004			0000	2012	T		S2	26766201003	000000 WINTER	WALTHAM	1	D		1,688	LED									
K7	0301	006			0000	2012	T		S2	26766201003	000000 WINTER	WALTHAM	1	D		1,688	LED									
K7	0301	008			0000	2012	T		S2	26766201003	000000 WINTER	WALTHAM	1	D		1,688	LED									
K7	0301	010			0000	2012	T		S2	26766201003	000000 WINTER	WALTHAM	1	D		1,688	LED									
K7	0301	012			0000	2012	T		S2	26766201003	000000 WINTER	WALTHAM	1	D		1,688	LED									
K7	0301	014			0000	2012	T		S2	26766201003	000000 WINTER	WALTHAM	1	D		1,688	LED									
K7	0301	015			0000	2012	T		S2	26766201003	000000 WINTER	WALTHAM	1	D		1,688	LED									
K7	0301	016			0000	2012	T		S2	26766201003	000000 WINTER	WALTHAM	1	D		3,562	LED									
K7	0301	017			0000	1972	T		S2	26766201003	000000 WINTER	WALTHAM	1	M		3,500	MERCURY									
K7	0301	018			0000	2012	T		S2	26766201003	000000 WINTER	WALTHAM	1	D		3,562	LED									
K7	0301	019			0000	2012	T		S2	26766201003	000000 WINTER	WALTHAM	1	D		1,688	LED									
K7	0301	020			9130	1997	T		S2	26766201003	000000 WINTER	WALTHAM	1	S		9,500	SODIUM									
K7	0301	021			0000	2012	T		S2	26766201003	000000 WINTER	WALTHAM	1	D		1,688	LED									
K7	0301	023			0000	2012	T		S2	26766201003	000000 WINTER	WALTHAM	1	D		1,688	LED									
K7	0301	025			0000	2012	T		S2	26766201003	000000 WINTER	WALTHAM	1	D		1,688	LED									
K7	0301	027			0000	2012	T		S2	26766201003	000000 WINTER	WALTHAM	1	D		1,688	LED									
K7	0301	029			0000	2012	T		S2	26766201003	000000 WINTER	WALTHAM	1	D		1,688	LED									
K7	0301	033			0000	2012	T		S2	26766201003	000000 WINTER	WALTHAM	1	D		1,688	LED									
K7	0301	038			0000	2012	T		S2	26766201003	000000 WINTER	WALTHAM	1	D		1,688	LED									
K7	0301	040			0000	2012	T		S2	26766201003	000000 WINTER	WALTHAM	1	D		1,688	LED									
K7	0301	042			0000	2012	T		S2	26766201003	000000 WINTER	WALTHAM	1	D		1,688	LED									
K7	0301	044			9130	1987	T		S2	26766201003	000000 WINTER	WALTHAM	1	S		25,000	SODIUM									
K7	0301	046			9130	1987	T		S2	26766201003	000000 WINTER	WALTHAM	1	S		25,000	SODIUM									
K7	0301	048		1	9130	1978	T		S2	26766201003	000000 WINTER	WALTHAM	1	S		45,000	SODIUM									
K7	0301	048		2	9130	1987	T		S2	26766201003	000000 WINTER	WALTHAM	1	S		16,000	SODIUM									
K7	0301	048		3	9130	1986	T		S2	26766201003	000000 WINTER	WALTHAM	1	S		16,000	SODIUM									
K7	0301	049			9130	1977	T		S2	26766201003	000000 WINTER	WALTHAM	1	S		45,000	SODIUM									
K7	0301	050			9130	1986	T		S2	26766201003	000000 WINTER	WALTHAM	1	S		16,000	SODIUM									
K7	0301	053		1	9130	1987	T		S2	26766201003	000000 WINTER	WALTHAM	1	S		25,000	SODIUM									
K7	0301	053		2	9130	1987	T		S2	26766201003	000000 WINTER	WALTHAM	1	S		25,000	SODIUM									
K7	0301	054			9130	1986	T		S2	26766201003	000000 WINTER	WALTHAM	1	S		16,000	SODIUM									
K7	0301	056			9130	1987	T		S2	26766201003	000000 WINTER	WALTHAM	1	S		25,000	SODIUM									
K7	0301	057			9130	1987	T		S2	26766201003	000000 WINTER	WALTHAM	1	S		45,000	SODIUM									
K7	0301	058		1	9130	1987	T		S2	26766201003	000000 WINTER	WALTHAM	1	S		25,000	SODIUM									
K7	0301	058		2	9130	1987	T		S2	26766201003	000000 WINTER	WALTHAM	1	S		25,000	SODIUM									

CODE											LOCATION			EXISTING FIXTURE TYPE					PROPOSED FIXTURE TYPE				ENERGY SAVINGS		Comments
TD	Route	Item	F	SF	Unit	Vint	CC	SM	S2	Account	ADDRESS	CITY	Qty	FT	LT	LUMENS	FT Description	Watts	Qty	FT Description	Lumens	Watts	kW Savings	kWh Savings	
K7	0301	058		3	9130	1987	T		S2	26766201003	000000 WINTER	WALTHAM	1	S		25,000	SODIUM								
K7	0301	058		4	9130	1987	T		S2	26766201003	000000 WINTER	WALTHAM	1	S		25,000	SODIUM								
K7	0301	058		5	9130	1987	T		S2	26766201003	000000 WINTER	WALTHAM	1	S		25,000	SODIUM								
K7	0301	058		6	9130	1987	T		S2	26766201003	000000 WINTER	WALTHAM	1	S		25,000	SODIUM								
K7	0301	058		7	9130	1987	T		S2	26766201003	000000 WINTER	WALTHAM	1	S		25,000	SODIUM								
K7	0301	058		8	9130	1978	T		S2	26766201003	000000 WINTER	WALTHAM	1	S		45,000	SODIUM								
K7	0301	059			9130	1986	T		S2	26766201003	000000 WINTER	WALTHAM	1	S		25,000	SODIUM								
K7	0301	060			9130	1986	T		S2	26766201003	000000 WINTER	WALTHAM	1	S		25,000	SODIUM								
K7	0301	061			9130	1987	T		S2	26766201003	000000 WINTER	WALTHAM	1	S		25,000	SODIUM								
K7	0301	062			9130	1986	T		S2	26766201003	000000 WINTER	WALTHAM	1	S		25,000	SODIUM								
K7	0301	063			9130	1987	T		S2	26766201003	000000 WINTER	WALTHAM	1	S		25,000	SODIUM								
K7	0301	064			9130	1986	T		S2	26766201003	000000 WINTER	WALTHAM	1	S		25,000	SODIUM								
K7	0301	065			9130	1987	T		S2	26766201003	000000 WINTER	WALTHAM	1	S		25,000	SODIUM								
K7	0301	066			9130	1986	T		S2	26766201003	000000 WINTER	WALTHAM	1	S		25,000	SODIUM								
K7	0301	067			9130	1987	T		S2	26766201003	000000 WINTER	WALTHAM	1	S		25,000	SODIUM								
K7	0301	068			9130	1986	T		S2	26766201003	000000 WINTER	WALTHAM	1	S		25,000	SODIUM								
K7	0301	070			9130	1987	T		S2	26766201003	000000 WINTER	WALTHAM	1	S		25,000	SODIUM								
K7	0301	071			9130	1987	T		S2	26766201003	000000 WINTER	WALTHAM	1	S		25,000	SODIUM								
K7	0301	072			9130	1987	T		S2	26766201003	000000 WINTER	WALTHAM	1	S		25,000	SODIUM								
K7	0301	073			9130	1987	T		S2	26766201003	000000 WINTER	WALTHAM	1	S		25,000	SODIUM								
K7	0301	074			9130	1987	T		S2	26766201003	000000 WINTER	WALTHAM	1	S		25,000	SODIUM								
K7	0301	075			9130	1987	T		S2	26766201003	000000 WINTER	WALTHAM	1	S		25,000	SODIUM								
K7	0301	076			9130	1961	T		S2	26766201003	000000 WINTER	WALTHAM	1	S		16,000	SODIUM								
K7	0301	079			9130	1986	T		S2	26766201003	000000 WINTER	WALTHAM	1	S		16,000	SODIUM								
K7	0301	081			9130	1986	T		S2	26766201003	000000 WINTER	WALTHAM	1	S		16,000	SODIUM								
K7	0301	083			9130	1986	T		S2	26766201003	000000 WINTER	WALTHAM	1	S		16,000	SODIUM								
K7	0301	085			9130	1986	T		S2	26766201003	000000 WINTER	WALTHAM	1	S		16,000	SODIUM								
K7	0301	087			9130	1986	T		S2	26766201003	000000 WINTER	WALTHAM	1	S		16,000	SODIUM								
K7	0301	089			9130	1986	T		S2	26766201003	000000 WINTER	WALTHAM	1	S		16,000	SODIUM								
K7	0301	091			9130	1986	T		S2	26766201003	000000 WINTER	WALTHAM	1	S		16,000	SODIUM								
K7	0301	093			9130	1986	T		S2	26766201003	000000 WINTER	WALTHAM	1	S		16,000	SODIUM								
K7	0301	095			9130	1986	T		S2	26766201003	000000 WINTER	WALTHAM	1	S		16,000	SODIUM								
K7	0301	100			9130	1986	T		S2	26766201003	000000 WINTER	WALTHAM	1	S		16,000	SODIUM								
K7	0301	102			9130	1986	T		S2	26766201003	000000 WINTER	WALTHAM	1	S		16,000	SODIUM								
K7	0301	104			9130	1986	T		S2	26766201003	000000 WINTER	WALTHAM	1	S		16,000	SODIUM								
K7	0301	106			9130	1986	T		S2	26766201003	000000 WINTER	WALTHAM	1	S		16,000	SODIUM								
K7	0301	108			9130	1987	T		S2	26766201003	000000 WINTER	WALTHAM	1	S		25,000	SODIUM								
K7	0301	110			9130	1986	T		S2	26766201003	000000 WINTER	WALTHAM	1	S		16,000	SODIUM								
K7	0301	111			9130	1987	T		S2	26766201003	000000 WINTER	WALTHAM	1	S		25,000	SODIUM								
K7	0301	112			9130	1986	T		S2	26766201003	000000 WINTER	WALTHAM	1	S		16,000	SODIUM								
K7	0301	114			9130	1987	T		S2	26766201003	000000 WINTER	WALTHAM	1	S		25,000	SODIUM								
K7	0301	116			9130	1986	T		S2	26766201003	000000 WINTER	WALTHAM	1	S		16,000	SODIUM								
K7	0301	121		1	9130	1995	T		S2	26766201003	000000 WINTER	WALTHAM	1	S		25,000	SODIUM								
K7	0301	121		2	9130	1995	T		S2	26766201003	000000 WINTER	WALTHAM	1	S		25,000	SODIUM								
K7	0302	001			9130	1991	T		S2	26766201003	000000 WINTHROP	WALTHAM	1	S		9,500	SODIUM								
K7	0302	002			9130	1991	T		S2	26766201003	000000 WINTHROP	WALTHAM	1	S		9,500	SODIUM								
K7	0302	004			9130	1991	T		S2	26766201003	000000 WINTHROP	WALTHAM	1	S		9,500	SODIUM								
K7	0302	007			9130	1991	T		S2	26766201003	000000 WINTHROP	WALTHAM	1	S		9,500	SODIUM								
K7	0302	009			9130	1991	T		S2	26766201003	000000 WINTHROP	WALTHAM	1	S		9,500	SODIUM								
K7	0302	011			9130	1991	T		S2	26766201003	000000 WINTHROP	WALTHAM	1	S		9,500	SODIUM								

CODE										LOCATION			EXISTING FIXTURE TYPE					PROPOSED FIXTURE TYPE				ENERGY SAVINGS		Comments
TD	Route	Item	F	SF	Unit	Vint	CC	SM	S2	Account	ADDRESS	CITY	Qty	FT	LT	LUMENS	FT Description	Watts	Qty	FT Description	Lumens	Watts	kW Savings	
K7	0303	001			9130	1991	T		S2	26766201003	000000 FALMOUTH	WALTHAM	1	S		9,500	SODIUM							
K7	0304	002			9130	1986	T		S2	26766201003	000000 WOERD	WALTHAM	1	S		9,500	SODIUM							
K7	0304	004			9130	1986	T		S2	26766201003	000000 WOERD	WALTHAM	1	S		9,500	SODIUM							
K7	0304	006			9130	1986	T		S2	26766201003	000000 WOERD	WALTHAM	1	S		9,500	SODIUM							
K7	0304	008			9130	1986	T		S2	26766201003	000000 WOERD	WALTHAM	1	S		9,500	SODIUM							
K7	0304	010			9130	1986	T		S2	26766201003	000000 WOERD	WALTHAM	1	S		9,500	SODIUM							
K7	0304	012			9130	1986	T		S2	26766201003	000000 WOERD	WALTHAM	1	S		9,500	SODIUM							
K7	0304	014			9130	1997	T		S2	26766201003	000000 WOERD	WALTHAM	1	S		9,500	SODIUM							
K7	0304	016			9130	1997	T		S2	26766201003	000000 WOERD	WALTHAM	1	S		9,500	SODIUM							
K7	0304	018			9130	1987	T		S2	26766201003	000000 WOERD	WALTHAM	1	S		16,000	SODIUM							
K7	0304	021			9130	1997	T		S2	26766201003	000000 WOERD	WALTHAM	1	S		9,500	SODIUM							
K7	0305	002			9130	1991	T		S2	26766201003	000000 CAMBRIA	WALTHAM	1	S		9,500	SODIUM							
K7	0306	002			9130	1992	T		S2	26766201003	000000 WORCESTER	WALTHAM	1	S		9,500	SODIUM							
K7	0306	003			9130	1992	T		S2	26766201003	000000 WORCESTER	WALTHAM	1	S		9,500	SODIUM							
K7	0306	005			9130	1992	T		S2	26766201003	000000 WORCESTER	WALTHAM	1	S		9,500	SODIUM							
K7	0306	006			9130	1992	T		S2	26766201003	000000 WORCESTER	WALTHAM	1	S		9,500	SODIUM							
K7	0306	007			9130	1993	T		S2	26766201003	000000 WORCESTER	WALTHAM	1	S		9,500	SODIUM							
K7	0306	010			9130	1992	T		S2	26766201003	000000 WORCESTER	WALTHAM	1	S		9,500	SODIUM							
K7	0306	011			9130	1995	T		S2	26766201003	000000 WORCESTER	WALTHAM	1	S		9,500	SODIUM							
K7	0306	012			9130	1992	T		S2	26766201003	000000 WORCESTER	WALTHAM	1	S		9,500	SODIUM							
K7	0306	014			9130	1992	T		S2	26766201003	000000 WORCESTER	WALTHAM	1	S		9,500	SODIUM							
K7	0306	016			9130	1992	T		S2	26766201003	000000 WORCESTER	WALTHAM	1	S		9,500	SODIUM							
K7	0306	018			9130	1992	T		S2	26766201003	000000 WORCESTER	WALTHAM	1	S		9,500	SODIUM							
K7	0306	020			9130	1992	T		S2	26766201003	000000 WORCESTER	WALTHAM	1	S		9,500	SODIUM							
K7	0306	022			9130	1992	T		S2	26766201003	000000 WORCESTER	WALTHAM	1	S		9,500	SODIUM							
K7	0306	024			9130	1992	T		S2	26766201003	000000 WORCESTER	WALTHAM	1	S		9,500	SODIUM							
K7	0306	026			9130	1992	T		S2	26766201003	000000 WORCESTER	WALTHAM	1	S		9,500	SODIUM							
K7	0306	029			9130	1992	T		S2	26766201003	000000 WORCESTER	WALTHAM	1	S		9,500	SODIUM							
K7	0306	031			9130	1992	T		S2	26766201003	000000 WORCESTER	WALTHAM	1	S		9,500	SODIUM							
K7	0308	001			9130	1991	T		S2	26766201003	000000 MANNING	WALTHAM	1	S		9,500	SODIUM							
K7	0308	003			9130	1991	T		S2	26766201003	000000 MANNING	WALTHAM	1	S		9,500	SODIUM							
K7	0309	002			9130	1988	T		S2	26766201003	000000 STANLEY	WALTHAM	1	S		4,000	SODIUM							
K7	0309	004			9130	1988	T		S2	26766201003	000000 STANLEY	WALTHAM	1	S		4,000	SODIUM							
K7	0310	001			9130	1992	T		S2	26766201003	000000 WHEELLOCK	WALTHAM	1	S		9,500	SODIUM							
K7	0310	003			9130	1992	T		S2	26766201003	000000 WHEELLOCK	WALTHAM	1	S		9,500	SODIUM							
K7	0310	005			9130	1992	T		S2	26766201003	000000 WHEELLOCK	WALTHAM	1	S		9,500	SODIUM							
K7	0310	007			9130	1992	T		S2	26766201003	000000 WHEELLOCK	WALTHAM	1	S		9,500	SODIUM							
K7	0311	002		1	0000	2012	T		S2	26766201003	000000 UNION	WALTHAM	1	D		3,562	LED							
K7	0311	002		2	9130	1992	T		S2	26766201003	000000 WHEELLOCK	WALTHAM	1	S		9,500	SODIUM							
K7	0312	002			9130	1991	T		S2	26766201003	000000 LIVERPOOL	WALTHAM	1	S		9,500	SODIUM							
K7	0314	001			9130	1991	T		S2	26766201003	000000 PHEASANT	WALTHAM	1	S		9,500	SODIUM							
K7	0314	002		1	9130	1992	T		S2	26766201003	000000 SIBLEY	WALTHAM	1	S		9,500	SODIUM							
K7	0314	002		2	9130	1991	T		S2	26766201003	000000 PHEASANT	WALTHAM	1	S		9,500	SODIUM							
K7	0314	004			9130	1992	T		S2	26766201003	000000 SIBLEY	WALTHAM	1	S		9,500	SODIUM							
K7	0314	006			9130	1992	T		S2	26766201003	000000 SIBLEY	WALTHAM	1	S		9,500	SODIUM							
K7	0314	012			9130	1992	T		S2	26766201003	000000 SIBLEY	WALTHAM	1	S		9,500	SODIUM							
K7	0314	014			9130	1992	T		S2	26766201003	000000 SIBLEY	WALTHAM	1	S		9,500	SODIUM							
K7	0314	015			9130	1992	T		S2	26766201003	000000 SIBLEY	WALTHAM	1	S		9,500	SODIUM							
K7	0314	017			9130	1992	T		S2	26766201003	000000 SIBLEY	WALTHAM	1	S		9,500	SODIUM							
K7	0316	001			9130	1986	T		S2	26766201003	000000 THAYER	WALTHAM	1	S		2,150	SODIUM							

CODE										LOCATION			EXISTING FIXTURE TYPE					PROPOSED FIXTURE TYPE				ENERGY SAVINGS		Comments	
TD	Route	Item	F	SF	Unit	Vint	CC	SM	S2	Account	ADDRESS	CITY	Qty	FT	LT	LUMENS	FT Description	Watts	Qty	FT Description	Lumens	Watts	kW Savings		kWh Savings
K7	0316	002			9130	1986	T		S2	26766201003	000000 THAYER	WALTHAM	1	S		2,150	SODIUM								
K7	0317	001			9130	1991	T		S2	26766201003	000000 HARDY	WALTHAM	1	S		9,500	SODIUM								
K7	0317	002			9130	1991	T		S2	26766201003	000000 HARDY	WALTHAM	1	S		9,500	SODIUM								
K7	0317	004			9130	1991	T		S2	26766201003	000000 HARDY	WALTHAM	1	S		9,500	SODIUM								
K7	0318	001			9130	1991	T		S2	26766201003	000000 ALBEMARLE	WALTHAM	1	S		9,500	SODIUM								
K7	0318	003			9130	1991	T		S2	26766201003	000000 ALBEMARLE	WALTHAM	1	S		9,500	SODIUM								
K7	0318	005			9130	1991	T		S2	26766201003	000000 ALBEMARLE	WALTHAM	1	S		9,500	SODIUM								
K7	0318	007			9130	1991	T		S2	26766201003	000000 ALBEMARLE	WALTHAM	1	S		9,500	SODIUM								
K7	0318	009			9130	1991	T		S2	26766201003	000000 ALBEMARLE	WALTHAM	1	S		9,500	SODIUM								
K7	0318	011			9130	1991	T		S2	26766201003	000000 ALBEMARLE	WALTHAM	1	S		9,500	SODIUM								
K7	0318	012			9130	1991	T		S2	26766201003	000000 ALBEMARLE	WALTHAM	1	S		9,500	SODIUM								
K7	0318	014			9130	1991	T		S2	26766201003	000000 ALBEMARLE	WALTHAM	1	S		9,500	SODIUM								
K7	0318	016			9130	1991	T		S2	26766201003	000000 ALBEMARLE	WALTHAM	1	S		9,500	SODIUM								
K7	0319	001			9130	1991	T		S2	26766201003	000000 MARLBORO	WALTHAM	1	S		9,500	SODIUM								
K7	0319	003			9130	1991	T		S2	26766201003	000000 MARLBORO	WALTHAM	1	S		9,500	SODIUM								
K7	0319	005			9130	1991	T		S2	26766201003	000000 MARLBORO	WALTHAM	1	S		9,500	SODIUM								
K7	0319	008			9130	1991	T		S2	26766201003	000000 MARLBORO	WALTHAM	1	S		9,500	SODIUM								
K7	0319	010			9130	1991	T		S2	26766201003	000000 MARLBORO	WALTHAM	1	S		9,500	SODIUM								
K7	0319	012			9130	1991	T		S2	26766201003	000000 MARLBORO	WALTHAM	1	S		9,500	SODIUM								
K7	0319	015			9130	1991	T		S2	26766201003	000000 MARLBORO	WALTHAM	1	S		9,500	SODIUM								
K7	0319	017			9130	1991	T		S2	26766201003	000000 MARLBOROUGH	WALTHAM	1	S		9,500	SODIUM								
K7	0319	019			9130	1991	T		S2	26766201003	000000 MARLBOROUGH	WALTHAM	1	S		9,500	SODIUM								
K7	0320	001			9130	1988	T		S2	26766201003	000000 SUNSET	WALTHAM	1	S		4,000	SODIUM								
K7	0320	003			9130	1988	T		S2	26766201003	000000 SUNSET	WALTHAM	1	S		4,000	SODIUM								
K7	0320	005			9130	1988	T		S2	26766201003	000000 SUNSET	WALTHAM	1	S		4,000	SODIUM								
K7	0321	001			9130	1991	T		S2	26766201003	000000 GRAYMORE	WALTHAM	1	S		9,500	SODIUM								
K7	0321	003			9130	1991	T		S2	26766201003	000000 GRAYMORE	WALTHAM	1	S		9,500	SODIUM								
K7	0321	005			9130	1991	T		S2	26766201003	000000 GRAYMORE	WALTHAM	1	S		9,500	SODIUM								
K7	0321	007			9130	1991	T		S2	26766201003	000000 GRAYMORE	WALTHAM	1	S		9,500	SODIUM								
K7	0321	009			9130	1991	T		S2	26766201003	000000 GRAYMORE	WALTHAM	1	S		9,500	SODIUM								
K7	0321	010			9130	1991	T		S2	26766201003	000000 GRAYMORE	WALTHAM	1	S		9,500	SODIUM								
K7	0321	012			9130	1991	T		S2	26766201003	000000 GRAYMORE	WALTHAM	1	S		9,500	SODIUM								
K7	0321	013			9130	1991	T		S2	26766201003	000000 GRAYMORE	WALTHAM	1	S		9,500	SODIUM								
K7	0321	014			9130	1991	T		S2	26766201003	000000 GRAYMORE	WALTHAM	1	S		9,500	SODIUM								
K7	0321	015			9130	1991	T		S2	26766201003	000000 GRAYMORE	WALTHAM	1	S		9,500	SODIUM								
K7	0323	001			9130	1991	T		S2	26766201003	000000 CLAREMONT	WALTHAM	1	S		9,500	SODIUM								
K7	0323	002			9130	1991	T		S2	26766201003	000000 CLAREMONT	WALTHAM	1	S		9,500	SODIUM								
K7	0323	004			9130	1991	T		S2	26766201003	000000 CLAREMONT	WALTHAM	1	S		9,500	SODIUM								
K7	0323	010			9130	1991	T		S2	26766201003	000000 CLAREMONT	WALTHAM	1	S		9,500	SODIUM								
K7	0324	001			9130	1986	T		S2	26766201003	000000 FANEUIL	WALTHAM	1	S		2,150	SODIUM								
K7	0324	003			9130	1986	T		S2	26766201003	000000 FANEUIL	WALTHAM	1	S		2,150	SODIUM								
K7	0324	006			9130	1986	T		S2	26766201003	000000 FANEUIL	WALTHAM	1	S		2,150	SODIUM								
K7	0327	002			0000	2012	T		S2	26766201003	000000 PARKVIEW	WALTHAM	1	D		1,688	LED								
K7	0327	004			0000	2012	T		S2	26766201003	000000 PARKVIEW	WALTHAM	1	D		1,688	LED								
K7	0327	006			0000	2012	T		S2	26766201003	000000 PARKVIEW	WALTHAM	1	D		1,688	LED								
K7	0327	007			9130	1990	T		S2	26766201003	000000 PARKVIEW	WALTHAM	1	S		9,500	SODIUM								
K7	0327	008			0000	2012	T		S2	26766201003	000000 PARKVIEW	WALTHAM	1	D		1,688	LED								
K7	0327	010			0000	2012	T		S2	26766201003	000000 PARKVIEW	WALTHAM	1	D		1,688	LED								
K7	0327	011			0000	2012	T		S2	26766201003	000000 PARKVIEW	WALTHAM	1	D		1,688	LED								
K7	0327	012			9130	1989	T		S2	26766201003	000000 PARKVIEW	WALTHAM	1	S		9,500	SODIUM								

CODE										LOCATION			EXISTING FIXTURE TYPE				PROPOSED FIXTURE TYPE				ENERGY SAVINGS		Comments	
TD	Route	Item	F	SF	Unit	Vint	CC	SM	S2	Account	ADDRESS	CITY	Qty	FT	LT	LUMENS	FT Description	Watts	Qty	FT Description	Lumens	Watts		kW Savings
K7	0327	013			0000	2012	T		S2	26766201003	000000 PARKVIEW	WALTHAM	1	D		1,688	LED							
K7	0328	001			9130	1991	T		S2	26766201003	000000 BROOKFIELD	WALTHAM	1	S		9,500	SODIUM							
K7	0328	003			9130	1991	T		S2	26766201003	000000 BROOKFIELD	WALTHAM	1	S		9,500	SODIUM							
K7	0328	005			9130	1991	T		S2	26766201003	000000 BROOKFIELD	WALTHAM	1	S		9,500	SODIUM							
K7	0330	002			9130	1992	T		S2	26766201003	000000 UPTON	WALTHAM	1	S		9,500	SODIUM							
K7	0330	003			9130	1992	T		S2	26766201003	000000 UPTON	WALTHAM	1	S		9,500	SODIUM							
K7	0330	004			9130	1992	T		S2	26766201003	000000 UPTON	WALTHAM	1	S		9,500	SODIUM							
K7	0330	005			9130	1992	T		S2	26766201003	000000 UPTON	WALTHAM	1	S		9,500	SODIUM							
K7	0330	008			9130	1992	T		S2	26766201003	000000 UPTON	WALTHAM	1	S		9,500	SODIUM							
K7	0330	009			9130	1992	T		S2	26766201003	000000 UPTON	WALTHAM	1	S		9,500	SODIUM							
K7	0330	010			9130	1992	T		S2	26766201003	000000 UPTON	WALTHAM	1	S		9,500	SODIUM							
K7	0331	001		1	9130	1991	T		S2	26766201003	000000 KEACH	WALTHAM	1	S		9,500	SODIUM							
K7	0331	001		2	9130	1988	T		S2	26766201003	000000 BOWKER	WALTHAM	1	S		4,000	SODIUM							
K7	0331	003			9130	1991	T		S2	26766201003	000000 KEACH	WALTHAM	1	S		9,500	SODIUM							
K7	0332	001			9130	1988	T		S2	26766201003	000000 BEAR HILL	WALTHAM	1	S		25,000	SODIUM							
K7	0332	003			9130	1988	T		S2	26766201003	000000 BEAR HILL	WALTHAM	1	S		25,000	SODIUM							
K7	0332	005			9130	1988	T		S2	26766201003	000000 BEAR HILL	WALTHAM	1	S		25,000	SODIUM							
K7	0332	007			9130	1988	T		S2	26766201003	000000 BEAR HILL	WALTHAM	1	S		25,000	SODIUM							
K7	0332	009			9130	1988	T		S2	26766201003	000000 BEAR HILL	WALTHAM	1	S		25,000	SODIUM							
K7	0332	011			9130	1988	T		S2	26766201003	000000 BEAR HILL	WALTHAM	1	S		25,000	SODIUM							
K7	0332	013			9130	1988	T		S2	26766201003	000000 BEAR HILL	WALTHAM	1	S		25,000	SODIUM							
K7	0332	015			9130	1985	T		S2	26766201003	000000 BEAR HILL	WALTHAM	1	S		25,000	SODIUM							
K7	0332	017			9130	1985	T		S2	26766201003	000000 BEAR HILL	WALTHAM	1	S		25,000	SODIUM							
K7	0332	019			9130	1985	T		S2	26766201003	000000 BEAR HILL	WALTHAM	1	S		25,000	SODIUM							
K7	0332	020			9130	1985	T		S2	26766201003	000000 BEAR HILL	WALTHAM	1	S		25,000	SODIUM							
K7	0332	022			9130	1985	T		S2	26766201003	000000 BEAR HILL	WALTHAM	1	S		25,000	SODIUM							
K7	0332	024			9130	1985	T		S2	26766201003	000000 BEAR HILL	WALTHAM	1	S		25,000	SODIUM							
K7	0332	026			9130	1985	T		S2	26766201003	000000 BEAR HILL	WALTHAM	1	S		25,000	SODIUM							
K7	0332	028			9130	1985	T		S2	26766201003	000000 BEAR HILL	WALTHAM	1	S		25,000	SODIUM							
K7	0332	030			9130	1985	T		S2	26766201003	000000 BEAR HILL	WALTHAM	1	S		25,000	SODIUM							
K7	0332	032			9130	1985	T		S2	26766201003	000000 BEAR HILL	WALTHAM	1	S		25,000	SODIUM							
K7	0332	034			9130	1985	T		S2	26766201003	000000 BEAR HILL	WALTHAM	1	S		25,000	SODIUM							
K7	0332	036			9130	1985	T		S2	26766201003	000000 BEAR HILL	WALTHAM	1	S		25,000	SODIUM							
K7	0333	002			0000	2012	T		S2	26766201003	000000 LINDEN	WALTHAM	1	D		1,688	LED							
K7	0334	001			9130	1988	T		S2	26766201003	000000 WAVERLEY OAKS	WALTHAM	1	S		16,000	SODIUM							
K7	0334	002			9130	1988	T		S2	26766201003	000000 WAVERLEY OAKS	WALTHAM	1	S		16,000	SODIUM							
K7	0334	033			9130	1988	T		S2	26766201003	000000 WAVERLEY OAKS	WALTHAM	1	S		16,000	SODIUM							
K7	0334	035			9130	1988	T		S2	26766201003	000000 WAVERLEY OAKS	WALTHAM	1	S		16,000	SODIUM							
K7	0334	036			9130	1988	T		S2	26766201003	000000 WAVERLEY OAKS	WALTHAM	1	S		16,000	SODIUM							
K7	0334	037			9130	1988	T		S2	26766201003	000000 WAVERLEY OAKS	WALTHAM	1	S		16,000	SODIUM							
K7	0334	038			9130	1988	T		S2	26766201003	000000 WAVERLEY OAKS	WALTHAM	1	S		16,000	SODIUM							
K7	0334	039			9130	1988	T		S2	26766201003	000000 WAVERLEY OAKS	WALTHAM	1	S		16,000	SODIUM							
K7	0334	040			9130	1988	T		S2	26766201003	000000 WAVERLEY OAKS	WALTHAM	1	S		16,000	SODIUM							
K7	0334	041			9130	1988	T		S2	26766201003	000000 WAVERLEY OAKS	WALTHAM	1	S		16,000	SODIUM							
K7	0334	042			9130	1988	T		S2	26766201003	000000 WAVERLEY OAKS	WALTHAM	1	S		16,000	SODIUM							
K7	0334	043			9130	1988	T		S2	26766201003	000000 WAVERLEY OAKS	WALTHAM	1	S		16,000	SODIUM							
K7	0334	044			9130	1988	T		S2	26766201003	000000 WAVERLEY OAKS	WALTHAM	1	S		16,000	SODIUM							
K7	0334	045			9130	1988	T		S2	26766201003	000000 WAVERLEY OAKS	WALTHAM	1	S		16,000	SODIUM							
K7	0334	046			9130	1988	T		S2	26766201003	000000 WAVERLEY OAKS	WALTHAM	1	S		16,000	SODIUM							
K7	0334	047			9130	1988	T		S2	26766201003	000000 WAVERLEY OAKS	WALTHAM	1	S		16,000	SODIUM							

CODE										LOCATION			EXISTING FIXTURE TYPE					PROPOSED FIXTURE TYPE				ENERGY SAVINGS		Comments	
TD	Route	Item	F	SF	Unit	Vint	CC	SM	S2	Account	ADDRESS	CITY	Qty	FT	LT	LUMENS	FT Description	Watts	Qty	FT Description	Lumens	Watts	kW Savings		kWh Savings
K7	0334	048			9130	1988	T		S2	26766201003	000000 WAVERLEY OAKS	WALTHAM	1	S		16,000	SODIUM								
K7	0334	049			9130	1988	T		S2	26766201003	000000 WAVERLEY OAKS	WALTHAM	1	S		16,000	SODIUM								
K7	0334	050			9130	1988	T		S2	26766201003	000000 WAVERLEY OAKS	WALTHAM	1	S		16,000	SODIUM								
K7	0334	051			9130	1988	T		S2	26766201003	000000 WAVERLEY OAKS	WALTHAM	1	S		16,000	SODIUM								
K7	0334	053			9130	1988	T		S2	26766201003	000000 WAVERLEY OAKS	WALTHAM	1	S		16,000	SODIUM								
K7	0334	054			9130	1988	T		S2	26766201003	000000 WAVERLEY OAKS	WALTHAM	1	S		16,000	SODIUM								
K7	0334	055			9130	1988	T		S2	26766201003	000000 WAVERLEY OAKS	WALTHAM	1	S		16,000	SODIUM								
K7	0334	056			9130	1988	T		S2	26766201003	000000 WAVERLEY OAKS	WALTHAM	1	S		16,000	SODIUM								
K7	0334	057			9130	1988	T		S2	26766201003	000000 WAVERLEY OAKS	WALTHAM	1	S		16,000	SODIUM								
K7	0334	058			9130	1988	T		S2	26766201003	000000 WAVERLEY OAKS	WALTHAM	1	S		16,000	SODIUM								
K7	0334	059			9130	1988	T		S2	26766201003	000000 WAVERLEY OAKS	WALTHAM	1	S		16,000	SODIUM								
K7	0334	060			9130	1988	T		S2	26766201003	000000 WAVERLEY OAKS	WALTHAM	1	S		16,000	SODIUM								
K7	0334	061		1	9130	1992	T		S2	26766201003	000000 UPTON	WALTHAM	1	S		9,500	SODIUM								
K7	0334	061		2	9130	1988	T		S2	26766201003	000000 WAVERLEY OAKS	WALTHAM	1	S		16,000	SODIUM								
K7	0334	062			9130	1988	T		S2	26766201003	000000 WAVERLEY OAKS	WALTHAM	1	S		16,000	SODIUM								
K7	0334	063			9130	1988	T		S2	26766201003	000000 WAVERLEY OAKS	WALTHAM	1	S		16,000	SODIUM								
K7	0334	064			9130	1988	T		S2	26766201003	000000 WAVERLEY OAKS	WALTHAM	1	S		16,000	SODIUM								
K7	0334	065			9130	1988	T		S2	26766201003	000000 WAVERLEY OAKS	WALTHAM	1	S		16,000	SODIUM								
K7	0334	066			9130	1988	T		S2	26766201003	000000 WAVERLEY OAKS	WALTHAM	1	S		16,000	SODIUM								
K7	0334	067			9130	1988	T		S2	26766201003	000000 WAVERLEY OAKS	WALTHAM	1	S		16,000	SODIUM								
K7	0334	068			9130	1988	T		S2	26766201003	000000 WAVERLEY OAKS	WALTHAM	1	S		16,000	SODIUM								
K7	0334	069			9130	1988	T		S2	26766201003	000000 WAVERLEY OAKS	WALTHAM	1	S		16,000	SODIUM								
K7	0334	070			9130	1988	T		S2	26766201003	000000 WAVERLEY OAKS	WALTHAM	1	S		16,000	SODIUM								
K7	0334	071			9130	1988	T		S2	26766201003	000000 WAVERLEY OAKS	WALTHAM	1	S		16,000	SODIUM								
K7	0334	072			9130	1988	T		S2	26766201003	000000 WAVERLEY OAKS	WALTHAM	1	S		16,000	SODIUM								
K7	0334	074			9130	1988	T		S2	26766201003	000000 WAVERLEY OAKS	WALTHAM	1	S		16,000	SODIUM								
K7	0334	075			9130	1988	T		S2	26766201003	000000 WAVERLEY OAKS	WALTHAM	1	S		16,000	SODIUM								
K7	0334	076			9130	1988	T		S2	26766201003	000000 WAVERLEY OAKS	WALTHAM	1	S		16,000	SODIUM								
K7	0335	001			9130	1988	T		S2	26766201003	000000 WALL	WALTHAM	1	S		9,500	SODIUM								
K7	0335	003			9130	1996	T		S2	26766201003	000000 GREELEYS	WALTHAM	1	S		9,500	SODIUM								
K7	0336	001			9130	1991	T		S2	26766201003	000000 DWIGHT	WALTHAM	1	S		9,500	SODIUM								
K7	0337	003			0000	2012	T		S2	26766201003	000000 PELHAM	WALTHAM	1	D		1,688	LED								
K7	0338	002			9130	1991	T		S2	26766201003	000000 POTTER	WALTHAM	1	S		9,500	SODIUM								
K7	0338	004			9130	1991	T		S2	26766201003	000000 POTTER	WALTHAM	1	S		9,500	SODIUM								
K7	0338	006			9130	1991	T		S2	26766201003	000000 POTTER	WALTHAM	1	S		9,500	SODIUM								
K7	0338	007			9130	1991	T		S2	26766201003	000000 POTTER	WALTHAM	1	S		9,500	SODIUM								
K7	0338	008			9130	1991	T		S2	26766201003	000000 POTTER	WALTHAM	1	S		9,500	SODIUM								
K7	0338	010			9130	1991	T		S2	26766201003	000000 POTTER	WALTHAM	1	S		9,500	SODIUM								
K7	0339	001			9130	1991	T		S2	26766201003	000000 FAIRVIEW	WALTHAM	1	S		9,500	SODIUM								
K7	0339	002			9130	1991	T		S2	26766201003	000000 GRANT	WALTHAM	1	S		9,500	SODIUM								
K7	0339	004			9130	1991	T		S2	26766201003	000000 GRANT	WALTHAM	1	S		9,500	SODIUM								
K7	0340	001			9130	1989	T		S2	26766201003	000000 PARKERS	WALTHAM	1	S		9,500	SODIUM								
K7	0340	002		1	9130	1991	T		S2	26766201003	000000 BANBURY	WALTHAM	1	S		9,500	SODIUM								
K7	0340	002		2	9130	1989	T		S2	26766201003	000000 PARKERS	WALTHAM	1	S		9,500	SODIUM								
K7	0340	003			9130	1989	T		S2	26766201003	000000 PARKERS	WALTHAM	1	S		9,500	SODIUM								
K7	0340	004		1	9130	1991	T		S2	26766201003	000000 BANBURY	WALTHAM	1	S		9,500	SODIUM								
K7	0340	004		2	9130	1989	T		S2	26766201003	000000 PARKERS	WALTHAM	1	S		9,500	SODIUM								
K7	0340	005			9130	1989	T		S2	26766201003	000000 PARKERS	WALTHAM	1	S		9,500	SODIUM								
K7	0340	006		1	9130	1991	T		S2	26766201003	000000 BANBURY	WALTHAM	1	S		9,500	SODIUM								
K7	0340	006		2	9130	1989	T		S2	26766201003	000000 PARKERS	WALTHAM	1	S		9,500	SODIUM								

CODE										LOCATION			EXISTING FIXTURE TYPE					PROPOSED FIXTURE TYPE				ENERGY SAVINGS		Comments	
TD	Route	Item	F	SF	Unit	Vint	CC	SM	S2	Account	ADDRESS	CITY	Qty	FT	LT	LUMENS	FT Description	Watts	Qty	FT Description	Lumens	Watts	kW Savings		kWh Savings
K7	0340	008			9130	1991	T		S2	26766201003	000000 BANBURY	WALTHAM	1	S		9,500	SODIUM								
K7	0340	010			9130	1991	T		S2	26766201003	000000 BANBURY	WALTHAM	1	S		9,500	SODIUM								
K7	0340	012			9130	1991	T		S2	26766201003	000000 BANBURY	WALTHAM	1	S		9,500	SODIUM								
K7	0341	001			9130	1990	T		S2	26766201003	000000 SHEFFIELD	WALTHAM	1	S		9,500	SODIUM								
K7	0341	002			9130	1989	T		S2	26766201003	000000 MALVERN	WALTHAM	1	S		4,000	SODIUM								
K7	0341	003			9130	1990	T		S2	26766201003	000000 SHEFFIELD	WALTHAM	1	S		9,500	SODIUM								
K7	0341	004			9130	1995	T		S2	26766201003	000000 MALVERN	WALTHAM	1	S		9,500	SODIUM								
K7	0341	005			9130	1990	T		S2	26766201003	000000 SHEFFIELD	WALTHAM	1	S		9,500	SODIUM								
K7	0341	007		1	9130	1995	T		S2	26766201003	000000 MALVERN	WALTHAM	1	S		9,500	SODIUM								
K7	0341	007		2	9130	1990	T		S2	26766201003	000000 SHEFFIELD	WALTHAM	1	S		9,500	SODIUM								
K7	0341	009			9130	1990	T		S2	26766201003	000000 SHEFFIELD	WALTHAM	1	S		9,500	SODIUM								
K7	0341	011			9130	1990	T		S2	26766201003	000000 SHEFFIELD	WALTHAM	1	S		9,500	SODIUM								
K7	0341	013			9130	1990	T		S2	26766201003	000000 SHEFFIELD	WALTHAM	1	S		9,500	SODIUM								
K7	0341	015			9130	1990	T		S2	26766201003	000000 SHEFFIELD	WALTHAM	1	S		9,500	SODIUM								
K7	0341	017			9130	1990	T		S2	26766201003	000000 SHEFFIELD	WALTHAM	1	S		9,500	SODIUM								
K7	0341	019			9130	1906	T		S2	26766201003	000000 SHEFFIELD	WALTHAM	1	S		9,500	SODIUM								
K7	0341	021			9130	1990	T		S2	26766201003	000000 SHEFFIELD	WALTHAM	1	S		9,500	SODIUM								
K7	0341	023			9130	1990	T		S2	26766201003	000000 SHEFFIELD	WALTHAM	1	S		9,500	SODIUM								
K7	0341	024			9130	1990	T		S2	26766201003	000000 SHEFFIELD	WALTHAM	1	S		9,500	SODIUM								
K7	0342	001		1	9130	1989	T		S2	26766201003	000000 WHITTIER	WALTHAM	1	S		9,500	SODIUM								
K7	0342	001		2	9130	1987	T		S2	26766201003	000000 CIRCLE	WALTHAM	1	S		9,500	SODIUM								
K7	0342	003		1	9130	1991	T		S2	26766201003	000000 WHITTIER	WALTHAM	1	S		9,500	SODIUM								
K7	0342	003		2	9130	1987	T		S2	26766201003	000000 CIRCLE	WALTHAM	1	S		9,500	SODIUM								
K7	0342	005		1	9130	1991	T		S2	26766201003	000000 WHITTIER	WALTHAM	1	S		9,500	SODIUM								
K7	0342	005		2	9130	1987	T		S2	26766201003	000000 CIRCLE	WALTHAM	1	S		9,500	SODIUM								
K7	0342	006			9130	1989	T		S2	26766201003	000000 WHITTIER	WALTHAM	1	S		9,500	SODIUM								
K7	0342	007		1	9130	1991	T		S2	26766201003	000000 WHITTIER	WALTHAM	1	S		9,500	SODIUM								
K7	0342	007		2	9130	1987	T		S2	26766201003	000000 CIRCLE	WALTHAM	1	S		9,500	SODIUM								
K7	0342	009		1	9130	1991	T		S2	26766201003	000000 WHITTIER	WALTHAM	1	S		9,500	SODIUM								
K7	0342	009		2	9130	1987	T		S2	26766201003	000000 CIRCLE	WALTHAM	1	S		9,500	SODIUM								
K7	0342	011			9130	1987	T		S2	26766201003	000000 CIRCLE	WALTHAM	1	S		9,500	SODIUM								
K7	0342	012			9130	1989	T		S2	26766201003	000000 CIRCLE	WALTHAM	1	S		9,500	SODIUM								
K7	0342	014			9130	1987	T		S2	26766201003	000000 CIRCLE	WALTHAM	1	S		9,500	SODIUM								
K7	0342	016			9130	1987	T		S2	26766201003	000000 CIRCLE	WALTHAM	1	S		9,500	SODIUM								
K7	0342	018			9130	1987	T		S2	26766201003	000000 CIRCLE	WALTHAM	1	S		9,500	SODIUM								
K7	0342	020			9130	1987	T		S2	26766201003	000000 CIRCLE	WALTHAM	1	S		9,500	SODIUM								
K7	0342	022			9130	1987	T		S2	26766201003	000000 CIRCLE	WALTHAM	1	S		9,500	SODIUM								
K7	0342	024			9130	1987	T		S2	26766201003	000000 CIRCLE	WALTHAM	1	S		9,500	SODIUM								
K7	0343	001			9130	1991	T		S2	26766201003	000000 DUDDY	WALTHAM	1	S		9,500	SODIUM								
K7	0343	002		1	9130	1991	T		S2	26766201003	000000 DUDDY	WALTHAM	1	S		9,500	SODIUM								
K7	0343	002		2	9130	1991	T		S2	26766201003	000000 BREWSTER	WALTHAM	1	S		9,500	SODIUM								
K7	0343	003		1	9130	1994	T		S2	26766201003	000000 DUDDY	WALTHAM	1	S		9,500	SODIUM								
K7	0343	003		2	9130	1990	T		S2	26766201003	000000 BREWSTER	WALTHAM	1	S		9,500	SODIUM								
K7	0343	004			9130	1991	T		S2	26766201003	000000 BREWSTER	WALTHAM	1	S		9,500	SODIUM								
K7	0343	006			9130	1991	T		S2	26766201003	000000 BREWSTER	WALTHAM	1	S		9,500	SODIUM								
K7	0343	008			9130	1991	T		S2	26766201003	000000 BREWSTER	WALTHAM	1	S		9,500	SODIUM								
K7	0343	010			9130	1991	T		S2	26766201003	000000 BREWSTER	WALTHAM	1	S		9,500	SODIUM								
K7	0343	012			9130	1991	T		S2	26766201003	000000 BREWSTER	WALTHAM	1	S		9,500	SODIUM								
K7	0343	014			9130	1991	T		S2	26766201003	000000 BREWSTER	WALTHAM	1	S		9,500	SODIUM								
K7	0343	016			9130	1991	T		S2	26766201003	000000 BREWSTER	WALTHAM	1	S		9,500	SODIUM								

CODE										LOCATION			EXISTING FIXTURE TYPE					PROPOSED FIXTURE TYPE				ENERGY SAVINGS		Comments	
TD	Route	Item	F	SF	Unit	Vint	CC	SM	S2	Account	ADDRESS	CITY	Qty	FT	LT	LUMENS	FT Description	Watts	Qty	FT Description	Lumens	Watts	kW Savings		kWh Savings
K7	0344	001			9130	1994	T		S2	26766201003	000000 WINSOM	WALTHAM	1	S		9,500	SODIUM								
K7	0344	002			9130	1990	T		S2	26766201003	000000 ESSEX	WALTHAM	1	S		9,500	SODIUM								
K7	0344	003			9130	1994	T		S2	26766201003	000000 WINSOM	WALTHAM	1	S		9,500	SODIUM								
K7	0345	001		1	9130	1991	T		S2	26766201003	000000 JENNINGS	WALTHAM	1	S		9,500	SODIUM								
K7	0345	001		2	9130	1990	T		S2	26766201003	000000 BERKLEY	WALTHAM	1	S		9,500	SODIUM								
K7	0345	002			9130	1990	T		S2	26766201003	000000 BERKLEY	WALTHAM	1	S		9,500	SODIUM								
K7	0345	003		1	9130	1991	T		S2	26766201003	000000 JENNINGS	WALTHAM	1	S		9,500	SODIUM								
K7	0345	003		2	9130	1990	T		S2	26766201003	000000 BERKLEY	WALTHAM	1	S		9,500	SODIUM								
K7	0345	004			9130	1990	T		S2	26766201003	000000 BERKLEY	WALTHAM	1	S		9,500	SODIUM								
K7	0345	005			9130	1991	T		S2	26766201003	000000 JENNINGS	WALTHAM	1	S		9,500	SODIUM								
K7	0345	006			9130	1990	T		S2	26766201003	000000 BERKLEY	WALTHAM	1	S		9,500	SODIUM								
K7	0345	007			9130	1991	T		S2	26766201003	000000 JENNINGS	WALTHAM	1	S		9,500	SODIUM								
K7	0345	008			9130	1990	T		S2	26766201003	000000 BERKLEY	WALTHAM	1	S		9,500	SODIUM								
K7	0345	009		1	9130	1991	T		S2	26766201003	000000 JENNINGS	WALTHAM	1	S		9,500	SODIUM								
K7	0345	009		2	9130	1990	T		S2	26766201003	000000 BERKLEY	WALTHAM	1	S		9,500	SODIUM								
K7	0345	010			9130	1990	T		S2	26766201003	000000 BERKLEY	WALTHAM	1	S		9,500	SODIUM								
K7	0345	012			9130	1990	T		S2	26766201003	000000 BERKLEY	WALTHAM	1	S		9,500	SODIUM								
K7	0345	013			9130	1990	T		S2	26766201003	000000 BERKLEY	WALTHAM	1	S		9,500	SODIUM								
K7	0345	015			9130	1990	T		S2	26766201003	000000 BERKLEY	WALTHAM	1	S		9,500	SODIUM								
K7	0345	016			9130	1990	T		S2	26766201003	000000 BERKLEY	WALTHAM	1	S		9,500	SODIUM								
K7	0345	018			9130	1990	T		S2	26766201003	000000 BERKLEY	WALTHAM	1	S		9,500	SODIUM								
K7	0345	020			9130	1990	T		S2	26766201003	000000 BERKLEY	WALTHAM	1	S		9,500	SODIUM								
K7	0345	021			9130	1990	T		S2	26766201003	000000 BERKLEY	WALTHAM	1	S		9,500	SODIUM								
K7	0346	001			9130	1991	T		S2	26766201003	000000 FENTON	WALTHAM	1	S		9,500	SODIUM								
K7	0346	002			9130	1991	T		S2	26766201003	000000 TUDOR	WALTHAM	1	S		9,500	SODIUM								
K7	0346	003			9130	1991	T		S2	26766201003	000000 TUDOR	WALTHAM	1	S		9,500	SODIUM								
K7	0346	005			9130	1991	T		S2	26766201003	000000 TUDOR	WALTHAM	1	S		9,500	SODIUM								
K7	0346	007			9130	1991	T		S2	26766201003	000000 TUDOR	WALTHAM	1	S		9,500	SODIUM								
K7	0347	003			9130	1986	T		S2	26766201003	000000 RIVER	WALTHAM	1	S		16,000	SODIUM								
K7	0347	004			9130	1986	T		S2	26766201003	000000 RIVER	WALTHAM	1	S		16,000	SODIUM								
K7	0347	005			0000	2012	T		S2	26766201003	000000 RIVER	WALTHAM	1	D		9,737	LED								
K7	0347	006			0000	2012	T		S2	26766201003	000000 RIVER	WALTHAM	1	D		1,688	LED								
K7	0347	007			0000	2012	T		S2	26766201003	000000 RIVER	WALTHAM	1	D		4,897	LED								
K7	0347	008			0000	2012	T		S2	26766201003	000000 RIVER	WALTHAM	1	D		4,897	LED								
K7	0347	009			0000	2012	T		S2	26766201003	000000 RIVER	WALTHAM	1	D		4,897	LED								
K7	0347	010			9130	1992	T		S2	26766201003	000000 RIVER	WALTHAM	1	S		16,000	SODIUM								
K7	0347	011			9130	1992	T		S2	26766201003	000085 RIVER	WALTHAM	1	S		16,000	SODIUM								
K7	0347	012			9130	1992	T		S2	26766201003	000000 RIVER	WALTHAM	1	S		16,000	SODIUM								
K7	0347	014			9130	1992	T		S2	26766201003	000000 RIVER	WALTHAM	1	S		16,000	SODIUM								
K7	0347	015			9130	1992	T		S2	26766201003	000000 RIVER	WALTHAM	1	S		16,000	SODIUM								
K7	0347	016			9130	1992	T		S2	26766201003	000000 RIVER	WALTHAM	1	S		16,000	SODIUM								
K7	0347	018			9130	1992	T		S2	26766201003	000000 RIVER	WALTHAM	1	S		16,000	SODIUM								
K7	0347	019			9130	1992	T		S2	26766201003	000000 RIVER	WALTHAM	1	S		16,000	SODIUM								
K7	0347	021			9130	1992	T		S2	26766201003	000000 RIVER	WALTHAM	1	S		16,000	SODIUM								
K7	0347	022			9130	1992	T		S2	26766201003	000000 RIVER	WALTHAM	1	S		16,000	SODIUM								
K7	0347	023			9130	1992	T		S2	26766201003	000000 RIVER	WALTHAM	1	S		16,000	SODIUM								
K7	0347	024			9130	1992	T		S2	26766201003	000000 RIVER	WALTHAM	1	S		16,000	SODIUM								
K7	0347	026			9130	1992	T		S2	26766201003	000000 RIVER	WALTHAM	1	S		16,000	SODIUM								
K7	0347	027			9130	1992	T		S2	26766201003	000000 RIVER	WALTHAM	1	S		16,000	SODIUM								
K7	0347	028			9130	1992	T		S2	26766201003	000000 RIVER	WALTHAM	1	S		16,000	SODIUM								

CODE										LOCATION			EXISTING FIXTURE TYPE					PROPOSED FIXTURE TYPE				ENERGY SAVINGS		Comments	
TD	Route	Item	F	SF	Unit	Vint	CC	SM	S2	Account	ADDRESS	CITY	Qty	FT	LT	LUMENS	FT Description	Watts	Qty	FT Description	Lumens	Watts	kW Savings		kWh Savings
K7	0347	029			9130	1992	T		S2	26766201003	000000 RIVER	WALTHAM	1	S		16,000	SODIUM								
K7	0347	030			9130	1992	T		S2	26766201003	000000 RIVER	WALTHAM	1	S		16,000	SODIUM								
K7	0347	031			9130	1992	T		S2	26766201003	000000 RIVER	WALTHAM	1	S		16,000	SODIUM								
K7	0347	032			9130	1992	T		S2	26766201003	000000 RIVER	WALTHAM	1	S		16,000	SODIUM								
K7	0347	033			9130	1992	T		S2	26766201003	000000 RIVER	WALTHAM	1	S		16,000	SODIUM								
K7	0347	034			9130	1992	T		S2	26766201003	000000 RIVER	WALTHAM	1	S		16,000	SODIUM								
K7	0347	035			9130	1992	T		S2	26766201003	000000 RIVER	WALTHAM	1	S		16,000	SODIUM								
K7	0347	036			9130	1992	T		S2	26766201003	000000 RIVER	WALTHAM	1	S		16,000	SODIUM								
K7	0347	037			9130	1992	T		S2	26766201003	000000 RIVER	WALTHAM	1	S		16,000	SODIUM								
K7	0347	038			9130	1992	T		S2	26766201003	000000 RIVER	WALTHAM	1	S		16,000	SODIUM								
K7	0347	040			9130	1991	T		S2	26766201003	000000 RIVER	WALTHAM	1	S		16,000	SODIUM								
K7	0347	042			9130	1992	T		S2	26766201003	000000 RIVER	WALTHAM	1	S		16,000	SODIUM								
K7	0347	044			9130	1992	T		S2	26766201003	000000 RIVER	WALTHAM	1	S		16,000	SODIUM								
K7	0348	001			9130	1989	T		S2	26766201003	000000 COPELAND	WALTHAM	1	S		9,500	SODIUM								
K7	0348	002			9130	1988	T		S2	26766201003	000000 OAK HILL	WALTHAM	1	S		4,000	SODIUM								
K7	0348	003			9130	1989	T		S2	26766201003	000000 COPELAND	WALTHAM	1	S		9,500	SODIUM								
K7	0348	005		1	9130	1989	T		S2	26766201003	000000 COPELAND	WALTHAM	1	S		9,500	SODIUM								
K7	0348	005		2	9130	1988	T		S2	26766201003	000000 OAK HILL	WALTHAM	1	S		4,000	SODIUM								
K7	0348	006			9130	1988	T		S2	26766201003	000000 OAK HILL	WALTHAM	1	S		4,000	SODIUM								
K7	0348	007		1	9130	1989	T		S2	26766201003	000000 COPELAND	WALTHAM	1	S		9,500	SODIUM								
K7	0348	007		2	9130	1988	T		S2	26766201003	000000 OAK HILL	WALTHAM	1	S		4,000	SODIUM								
K7	0348	009			9130	1989	T		S2	26766201003	000000 COPELAND	WALTHAM	1	S		9,500	SODIUM								
K7	0348	011			9130	1989	T		S2	26766201003	000000 COPELAND	WALTHAM	1	S		9,500	SODIUM								
K7	0348	012			9130	1989	T		S2	26766201003	000000 COPELAND	WALTHAM	1	S		9,500	SODIUM								
K7	0348	014			9130	1989	T		S2	26766201003	000000 COPELAND	WALTHAM	1	S		9,500	SODIUM								
K7	0348	015			9130	1989	T		S2	26766201003	000000 COPELAND	WALTHAM	1	S		9,500	SODIUM								
K7	0348	016			9130	1989	T		S2	26766201003	000000 COPELAND	WALTHAM	1	S		9,500	SODIUM								
K7	0348	018			9130	1989	T		S2	26766201003	000000 COPELAND	WALTHAM	1	S		9,500	SODIUM								
K7	0349	001			9130	1991	T		S2	26766201003	000000 ARBOR	WALTHAM	1	S		9,500	SODIUM								
K7	0349	002			9130	1991	T		S2	26766201003	000000 ELMWOOD	WALTHAM	1	S		9,500	SODIUM								
K7	0349	003			9130	1991	T		S2	26766201003	000000 ARBOR	WALTHAM	1	S		9,500	SODIUM								
K7	0349	004			9130	1991	T		S2	26766201003	000000 ELMWOOD	WALTHAM	1	S		9,500	SODIUM								
K7	0349	005			9130	1991	T		S2	26766201003	000000 ARBOR	WALTHAM	1	S		9,500	SODIUM								
K7	0350	001			9130	1991	T		S2	26766201003	000000 PROSPECT ST	WALTHAM	1	S		9,500	SODIUM								
K7	0350	002		1	9130	1989	T		S2	26766201003	000000 MEADOWS	WALTHAM	1	S		9,500	SODIUM								
K7	0350	002		2	9130	1991	T		S2	26766201003	000000 PROSPECT ST	WALTHAM	1	S		9,500	SODIUM								
K7	0350	003			9130	1991	T		S2	26766201003	000000 PROSPECT ST	WALTHAM	1	S		9,500	SODIUM								
K7	0350	004			9130	1991	T		S2	26766201003	000000 PROSPECT ST	WALTHAM	1	S		9,500	SODIUM								
K7	0350	005			9130	1991	T		S2	26766201003	000000 PROSPECT ST	WALTHAM	1	S		9,500	SODIUM								
K7	0352	001			9130	1991	T		S2	26766201003	000000 LIVINGSTON	WALTHAM	1	S		9,500	SODIUM								
K7	0352	002			9130	1991	T		S2	26766201003	000000 HASTINGS	WALTHAM	1	S		9,500	SODIUM								
K7	0352	003			9130	1991	T		S2	26766201003	000000 LIVINGSTON	WALTHAM	1	S		9,500	SODIUM								
K7	0352	004			9130	1991	T		S2	26766201003	000000 HASTINGS	WALTHAM	1	S		9,500	SODIUM								
K7	0352	005			9130	1991	T		S2	26766201003	000000 LIVINGSTON	WALTHAM	1	S		9,500	SODIUM								
K7	0352	007			9130	1991	T		S2	26766201003	000000 LIVINGSTON	WALTHAM	1	S		9,500	SODIUM								
K7	0353	002		1	0000	2012	T		S2	26766201003	000000 MT VERNON	WALTHAM	1	D		1,688	LED								
K7	0353	002		2	9130	1991	T		S2	26766201003	000000 GORHAM	WALTHAM	1	S		9,500	SODIUM								
K7	0353	004			9130	1991	T		S2	26766201003	000000 GORHAM	WALTHAM	1	S		9,500	SODIUM								
K7	0353	006			9130	1991	T		S2	26766201003	000000 GORHAM	WALTHAM	1	S		9,500	SODIUM								
K7	0354	001			9130	1988	T		S2	26766201003	000000 PORTER	WALTHAM	1	S		9,500	SODIUM								

CODE										LOCATION			EXISTING FIXTURE TYPE					PROPOSED FIXTURE TYPE				ENERGY SAVINGS		Comments	
TD	Route	Item	F	SF	Unit	Vint	CC	SM	S2	Account	ADDRESS	CITY	Qty	FT	LT	LUMENS	FT Description	Watts	Qty	FT Description	Lumens	Watts	kW Savings		kWh Savings
K7	0354	002			9130	1988	T		S2	26766201003	000000 PORTER	WALTHAM	1	S		4,000	SODIUM								
K7	0354	003			9130	1991	T		S2	26766201003	000000 PORTER	WALTHAM	1	S		9,500	SODIUM								
K7	0354	005			9130	1991	T		S2	26766201003	000000 PORTER	WALTHAM	1	S		9,500	SODIUM								
K7	0354	007			9130	1991	T		S2	26766201003	000000 PORTER	WALTHAM	1	S		9,500	SODIUM								
K7	0354	009			9130	1991	T		S2	26766201003	000000 PORTER	WALTHAM	1	S		9,500	SODIUM								
K7	0355	001			9130	1991	T		S2	26766201003	000000 HILL	WALTHAM	1	S		9,500	SODIUM								
K7	0355	003			9130	1991	T		S2	26766201003	000000 HILL	WALTHAM	1	S		9,500	SODIUM								
K7	0357	002		1	9130	1986	T		S2	26766201003	000000 MONTVIEW	WALTHAM	1	S		2,150	SODIUM								
K7	0357	002		2	9130	1991	T		S2	26766201003	000000 ELM	WALTHAM	1	S		9,500	SODIUM								
K7	0358	002			9130	1991	T		S2	26766201003	000000 HARTWELL	WALTHAM	1	S		9,500	SODIUM								
K7	0359	001			9130	1992	T		S2	26766201003	000000 GROVE	WALTHAM	1	S		9,500	SODIUM								
K7	0359	003			9130	1992	T		S2	26766201003	000000 GROVE	WALTHAM	1	S		9,500	SODIUM								
K7	0360	002			0000	2012	T		S2	26766201003	000000 MT WALLEY	WALTHAM	1	D		1,688	LED								
K7	0360	005			0000	2012	T		S2	26766201003	000000 MT WALLEY	WALTHAM	1	D		1,688	LED								
K7	0360	007			0000	2012	T		S2	26766201003	000000 MT WALLEY	WALTHAM	1	D		1,688	LED								
K7	0363	003			9130	1992	T		S2	26766201003	000000 SMART	WALTHAM	1	S		9,500	SODIUM								
K7	0363	005			9130	1992	T		S2	26766201003	000000 SMART	WALTHAM	1	S		9,500	SODIUM								
K7	0369	001			0000	2012	T		S2	26766201003	000000 BUXTON	WALTHAM	1	D		1,688	LED								
K7	0372	002			0000	2012	T		S2	26766201003	000000 WALTON	WALTHAM	1	D		1,688	LED								
K7	0373	002			9130	1991	T		S2	26766201003	000000 MONTCLAIR	WALTHAM	1	S		9,500	SODIUM								
K7	0373	004			9130	1994	T		S2	26766201003	000000 MONTCLAIR	WALTHAM	1	S		9,500	SODIUM								
K7	0373	005			9130	1991	T		S2	26766201003	000000 MONTCLAIR	WALTHAM	1	S		9,500	SODIUM								
K7	0373	007			9130	1991	T		S2	26766201003	000000 MONTCLAIR	WALTHAM	1	S		9,500	SODIUM								
K7	0373	009			9130	1991	T		S2	26766201003	000000 MONTCLAIR	WALTHAM	1	S		9,500	SODIUM								
K7	0373	011			9130	1991	T		S2	26766201003	000000 MONTCLAIR	WALTHAM	1	S		9,500	SODIUM								
K7	0373	013			9130	1991	T		S2	26766201003	000000 MONTCLAIR	WALTHAM	1	S		9,500	SODIUM								
K7	0373	015			9130	1991	T		S2	26766201003	000000 MONTCLAIR	WALTHAM	1	S		9,500	SODIUM								
K7	0379	002			9130	1991	T		S2	26766201003	000000 MUNSTER	WALTHAM	1	S		9,500	SODIUM								
K7	0385	001			0000	2012	T		S2	26766201003	000000 LINDY	WALTHAM	1	D		1,688	LED								
K7	0385	004			0000	2012	T		S2	26766201003	000000 LINDY	WALTHAM	1	D		1,688	LED								
K7	0386	002			9130	1991	T		S2	26766201003	000000 ANGLESIDE	WALTHAM	1	S		9,500	SODIUM								
K7	0386	005			9130	1991	T		S2	26766201003	000000 ANGLESIDE	WALTHAM	1	S		9,500	SODIUM								
K7	0386	007			9130	1991	T		S2	26766201003	000000 ANGLESIDE	WALTHAM	1	S		9,500	SODIUM								
K7	0386	009			9130	1991	T		S2	26766201003	000000 ANGLESIDE	WALTHAM	1	S		9,500	SODIUM								
K7	0387	002			9130	1992	T		S2	26766201003	000000 SHIRLEY	WALTHAM	1	S		9,500	SODIUM								
K7	0387	004			9130	1992	T		S2	26766201003	000000 SHIRLEY	WALTHAM	1	S		9,500	SODIUM								
K7	0387	007			9130	1992	T		S2	26766201003	000000 SHIRLEY	WALTHAM	1	S		9,500	SODIUM								
K7	0387	009			9130	1992	T		S2	26766201003	000000 SHIRLEY	WALTHAM	1	S		9,500	SODIUM								
K7	0387	011			9130	1992	T		S2	26766201003	000000 SHIRLEY	WALTHAM	1	S		9,500	SODIUM								
K7	0387	013			9130	1992	T		S2	26766201003	000000 SHIRLEY	WALTHAM	1	S		9,500	SODIUM								
K7	0389	005			9130	1991	T		S2	26766201003	000000 CEDARCROFT	WALTHAM	1	S		9,500	SODIUM								
K7	0391	002			9130	1988	T		S2	26766201003	000000 BITHER	WALTHAM	1	S		4,000	SODIUM								
K7	0391	003			9130	1955	T		S2	26766201003	000000 BITHER	WALTHAM	1	S		4,000	SODIUM								
K7	0394	001			0000	2012	T		S2	26766201003	000000 POND END	WALTHAM	1	D		1,688	LED								
K7	0394	003			0000	2012	T		S2	26766201003	000000 POND END	WALTHAM	1	D		1,688	LED								
K7	0396	003			0000	2012	T		S2	26766201003	000000 LINCOLN	WALTHAM	1	D		1,688	LED								
K7	0400	004			9130	1992	T		S2	26766201003	000000 SARTELL	WALTHAM	1	S		9,500	SODIUM								
K7	0400	006			9130	1992	T		S2	26766201003	000000 SARTELL	WALTHAM	1	S		9,500	SODIUM								
K7	0400	008			9130	1992	T		S2	26766201003	000000 SARTELL	WALTHAM	1	S		9,500	SODIUM								
K7	0400	010			9130	1992	T		S2	26766201003	000000 SARTELL	WALTHAM	1	S		9,500	SODIUM								

CODE										LOCATION			EXISTING FIXTURE TYPE					PROPOSED FIXTURE TYPE				ENERGY SAVINGS		Comments	
TD	Route	Item	F	SF	Unit	Vint	CC	SM	S2	Account	ADDRESS	CITY	Qty	FT	LT	LUMENS	FT Description	Watts	Qty	FT Description	Lumens	Watts	kW Savings		kWh Savings
K7	0400	011			9130	1992	T		S2	26766201003	000000 SARTELL	WALTHAM	1	S		9,500	SODIUM								
K7	0401	001			9130	1992	T		S2	26766201003	000000 GREGORY	WALTHAM	1	S		9,500	SODIUM								
K7	0401	003			9130	1992	T		S2	26766201003	000000 GREGORY	WALTHAM	1	S		9,500	SODIUM								
K7	0401	004			9130	1992	T		S2	26766201003	000000 GREGORY	WALTHAM	1	S		9,500	SODIUM								
K7	0401	006			9130	1992	T		S2	26766201003	000000 GREGORY	WALTHAM	1	S		9,500	SODIUM								
K7	0401	008			9130	1992	T		S2	26766201003	000000 GREGORY	WALTHAM	1	S		9,500	SODIUM								
K7	0401	010			9130	1992	T		S2	26766201003	000000 GREGORY	WALTHAM	1	S		9,500	SODIUM								
K7	0401	012			9130	1992	T		S2	26766201003	000000 GREGORY	WALTHAM	1	S		9,500	SODIUM								
K7	0403	002			9130	1992	T		S2	26766201003	000000 ROSE HILL	WALTHAM	1	S		9,500	SODIUM								
K7	0403	004			9130	1992	T		S2	26766201003	000000 ROSE HILL	WALTHAM	1	S		9,500	SODIUM								
K7	0403	007			9130	1992	T		S2	26766201003	000000 ROSE HILL	WALTHAM	1	S		9,500	SODIUM								
K7	0403	010			9130	1992	T		S2	26766201003	000000 ROSE HILL	WALTHAM	1	S		9,500	SODIUM								
K7	0403	012			9130	1992	T		S2	26766201003	000000 ROSE HILL	WALTHAM	1	S		9,500	SODIUM								
K7	0403	013			9130	1992	T		S2	26766201003	000000 ROSE HILL	WALTHAM	1	S		9,500	SODIUM								
K7	0403	014			9130	1992	T		S2	26766201003	000000 ROSE HILL	WALTHAM	1	S		9,500	SODIUM								
K7	0403	016			9130	1992	T		S2	26766201003	000000 ROSE HILL	WALTHAM	1	S		9,500	SODIUM								
K7	0403	018			9130	1992	T		S2	26766201003	000000 ROSE HILL	WALTHAM	1	S		9,500	SODIUM								
K7	0403	020			9130	1992	T		S2	26766201003	000000 ROSE HILL	WALTHAM	1	S		9,500	SODIUM								
K7	0403	022			9130	1992	T		S2	26766201003	000000 ROSE HILL	WALTHAM	1	S		9,500	SODIUM								
K7	0406	001			9130	1991	T		S2	26766201003	000000 CANTERBURY	WALTHAM	1	S		9,500	SODIUM								
K7	0406	003			9130	1991	T		S2	26766201003	000000 CANTERBURY	WALTHAM	1	S		9,500	SODIUM								
K7	0406	004			9130	1991	T		S2	26766201003	000000 CANTERBURY	WALTHAM	1	S		9,500	SODIUM								
K7	0406	006			9130	1991	T		S2	26766201003	000000 CANTERBURY	WALTHAM	1	S		9,500	SODIUM								
K7	0406	008			9130	1991	T		S2	26766201003	000000 CANTERBURY	WALTHAM	1	S		9,500	SODIUM								
K7	0406	010			9130	1991	T		S2	26766201003	000000 CANTERBURY	WALTHAM	1	S		9,500	SODIUM								
K7	0408	001			9130	1996	T		S2	26766201003	000000 LINDEN PARK	WALTHAM	1	S		9,500	SODIUM								
K7	0408	003			9130	1996	T		S2	26766201003	000000 LINDEN PARK	WALTHAM	1	S		9,500	SODIUM								
K7	0408	004			9130	1996	T		S2	26766201003	000000 LINDEN PARK	WALTHAM	1	S		9,500	SODIUM								
K7	0408	005			9130	1996	T		S2	26766201003	000000 LINDEN PARK	WALTHAM	1	S		9,500	SODIUM								
K7	0410	001			9130	1992	T		S2	26766201003	000000 FARNUM	WALTHAM	1	S		9,500	SODIUM								
K7	0410	003			9130	1992	T		S2	26766201003	000000 FARNUM	WALTHAM	1	S		9,500	SODIUM								
K7	0410	006			9130	1992	T		S2	26766201003	000000 FARNUM	WALTHAM	1	S		9,500	SODIUM								
K7	0410	009			9130	1992	T		S2	26766201003	000000 FARNUM	WALTHAM	1	S		9,500	SODIUM								
K7	0410	011			9130	1992	T		S2	26766201003	000000 FARNUM	WALTHAM	1	S		9,500	SODIUM								
K7	0410	013			9130	1992	T		S2	26766201003	000000 FARNUM	WALTHAM	1	S		9,500	SODIUM								
K7	0410	014			9130	1992	T		S2	26766201003	000000 FARNUM	WALTHAM	1	S		9,500	SODIUM								
K7	0410	015			9130	1992	T		S2	26766201003	000000 FARNUM	WALTHAM	1	S		9,500	SODIUM								
K7	0410	016			9130	1992	T		S2	26766201003	000000 FARNUM	WALTHAM	1	S		9,500	SODIUM								
K7	0411	001			9130	1991	T		S2	26766201003	000000 NEIGHBORS	WALTHAM	1	S		9,500	SODIUM								
K7	0411	003			9130	1991	T		S2	26766201003	000000 NEIGHBORS	WALTHAM	1	S		9,500	SODIUM								
K7	0411	004			9130	1991	T		S2	26766201003	000000 NEIGHBORS	WALTHAM	1	S		9,500	SODIUM								
K7	0412	003			9130	1991	T		S2	26766201003	000000 MANOR	WALTHAM	1	S		9,500	SODIUM								
K7	0412	005			9130	1991	T		S2	26766201003	000000 MANOR	WALTHAM	1	S		9,500	SODIUM								
K7	0413	001			9130	1990	T		S2	26766201003	000000 COWASSET	WALTHAM	1	S		9,500	SODIUM								
K7	0413	003			9130	1990	T		S2	26766201003	000000 COWASSET	WALTHAM	1	S		9,500	SODIUM								
K7	0413	004			9130	1990	T		S2	26766201003	000000 COWASSET	WALTHAM	1	S		9,500	SODIUM								
K7	0414	001			9130	1993	T		S2	26766201003	000000 MOKEMA	WALTHAM	1	S		9,500	SODIUM								
K7	0414	003			9130	1993	T		S2	26766201003	000000 MOKEMA	WALTHAM	1	S		9,500	SODIUM								
K7	0414	005			9130	1993	T		S2	26766201003	000000 MOKEMA	WALTHAM	1	S		9,500	SODIUM								
K7	0414	007			9130	1993	T		S2	26766201003	000000 MOKEMA	WALTHAM	1	S		9,500	SODIUM								

CODE										LOCATION			EXISTING FIXTURE TYPE					PROPOSED FIXTURE TYPE				ENERGY SAVINGS		Comments	
TD	Route	Item	F	SF	Unit	Vint	CC	SM	S2	Account	ADDRESS	CITY	Qty	FT	LT	LUMENS	FT Description	Watts	Qty	FT Description	Lumens	Watts	kW Savings		kWh Savings
K7	0414	009			9130	1993	T		S2	26766201003	000000 MOKEMA	WALTHAM	1	S		9,500	SODIUM								
K7	0414	010			9130	1993	T		S2	26766201003	000000 MOKEMA	WALTHAM	1	S		9,500	SODIUM								
K7	0414	012			9130	1993	T		S2	26766201003	000000 MOKEMA	WALTHAM	1	S		9,500	SODIUM								
K7	0414	013			9130	1993	T		S2	26766201003	000000 MOKEMA	WALTHAM	1	S		9,500	SODIUM								
K7	0414	014			9130	1993	T		S2	26766201003	000000 MOKEMA	WALTHAM	1	S		9,500	SODIUM								
K7	0414	023			9130	1993	T		S2	26766201003	000000 MOKEMA	WALTHAM	1	S		9,500	SODIUM								
K7	0414	025			9130	1993	T		S2	26766201003	000000 MOKEMA	WALTHAM	1	S		9,500	SODIUM								
K7	0414	027			9130	1993	T		S2	26766201003	000000 MOKEMA	WALTHAM	1	S		9,500	SODIUM								
K7	0415	002		1	9130	1991	T		S2	26766201003	000000 PUTNEY	WALTHAM	1	S		9,500	SODIUM								
K7	0415	002		2	9130	1991	T		S2	26766201003	000000 PUTNEY	WALTHAM	1	S		9,500	SODIUM								
K7	0415	002		3	9130	1991	T		S2	26766201003	000000 PUTNEY	WALTHAM	1	S		9,500	SODIUM								
K7	0416	001			9130	1991	T		S2	26766201003	000000 CHARLES ST	WALTHAM	1	S		9,500	SODIUM								
K7	0416	003			9130	1991	T		S2	26766201003	000000 CHARLES ST	WALTHAM	1	S		9,500	SODIUM								
K7	0417	002			9130	1991	T		S2	26766201003	000000 CLEVELAND	WALTHAM	1	S		9,500	SODIUM								
K7	0417	004			9130	1991	T		S2	26766201003	000000 CLEVELAND	WALTHAM	1	S		9,500	SODIUM								
K7	0417	006			9130	1991	T		S2	26766201003	000000 CLEVELAND	WALTHAM	1	S		9,500	SODIUM								
K7	0418	002			9130	1991	T		S2	26766201003	000000 MADISON	WALTHAM	1	S		9,500	SODIUM								
K7	0418	004			9130	1991	T		S2	26766201003	000000 MADISON	WALTHAM	1	S		9,500	SODIUM								
K7	0418	006			9130	1991	T		S2	26766201003	000000 MADISON	WALTHAM	1	S		9,500	SODIUM								
K7	0419	002			9130	1989	T		S2	26766201003	000000 TRINITY	WALTHAM	1	S		9,500	SODIUM								
K7	0420	001			0000	2012	T		S2	26766201003	000000 WINDSOR	WALTHAM	1	D		1,688	LED								
K7	0420	003			0000	2012	T		S2	26766201003	000000 WINDSOR	WALTHAM	1	D		1,688	LED								
K7	0424	002			9130	1988	T		S2	26766201003	000000 BRIGHTWOOD	WALTHAM	1	S		4,000	SODIUM								
K7	0424	004			9130	1988	T		S2	26766201003	000000 BRIGHTWOOD	WALTHAM	1	S		4,000	SODIUM								
K7	0424	005			9130	1988	T		S2	26766201003	000000 BRIGHTWOOD	WALTHAM	1	S		4,000	SODIUM								
K7	0424	007			9130	1988	T		S2	26766201003	000000 BRIGHTWOOD	WALTHAM	1	S		4,000	SODIUM								
K7	0425	002			9130	1991	T		S2	26766201003	000009 CRAVEN	WALTHAM	1	S		9,500	SODIUM								
K7	0427	002			9130	1996	T		S2	26766201003	000000 CHARLES RIVER	WALTHAM	1	S		9,500	SODIUM								
K7	0427	004			9130	1996	T		S2	26766201003	000000 CHARLES RIVER	WALTHAM	1	S		9,500	SODIUM								
K7	0427	006			9130	1996	T		S2	26766201003	000000 CHARLES RIVER	WALTHAM	1	S		9,500	SODIUM								
K7	0427	008			9130	1996	T		S2	26766201003	000000 CHARLES RIVER	WALTHAM	1	S		9,500	SODIUM								
K7	0427	010			9130	1996	T		S2	26766201003	000000 CHARLES RIVER	WALTHAM	1	S		9,500	SODIUM								
K7	0432	002			9130	1988	T		S2	26766201003	000000 BEECHWOOD	WALTHAM	1	S		4,000	SODIUM								
K7	0432	004			9130	1988	T		S2	26766201003	000000 BEECHWOOD	WALTHAM	1	S		4,000	SODIUM								
K7	0433	001			9130	1991	T		S2	26766201003	000000 LONGFELLOW	WALTHAM	1	S		9,500	SODIUM								
K7	0433	003			9130	1991	T		S2	26766201003	000000 LONGFELLOW	WALTHAM	1	S		9,500	SODIUM								
K7	0433	005			9130	1991	T		S2	26766201003	000000 LONGFELLOW	WALTHAM	1	S		9,500	SODIUM								
K7	0433	007			9130	1991	T		S2	26766201003	000000 LONGFELLOW	WALTHAM	1	S		9,500	SODIUM								
K7	0433	009			9130	1991	T		S2	26766201003	000000 LONGFELLOW	WALTHAM	1	S		9,500	SODIUM								
K7	0433	013			9130	1991	T		S2	26766201003	000000 LONGFELLOW	WALTHAM	1	S		9,500	SODIUM								
K7	0434	030			9130	1991	T		S2	26766201003	000000 PINE HILL	WALTHAM	1	S		9,500	SODIUM								
K7	0437	001			9130	1991	T		S2	26766201003	000000 ELM	WALTHAM	1	S		9,500	SODIUM								
K7	0437	002			9130	1991	T		S2	26766201003	000000 ELM	WALTHAM	1	S		9,500	SODIUM								
K7	0438	001			9130	1991	T		S2	26766201003	000000 ELLERY	WALTHAM	1	S		9,500	SODIUM								
K7	0438	003			9130	1991	T		S2	26766201003	000000 ELLERY	WALTHAM	1	S		9,500	SODIUM								
K7	0438	005			9130	1991	T		S2	26766201003	000000 ELLERY	WALTHAM	1	S		9,500	SODIUM								
K7	0438	007			9130	1991	T		S2	26766201003	000000 ELLERY	WALTHAM	1	S		9,500	SODIUM								
K7	0438	009			9130	1991	T		S2	26766201003	000000 ELLERY	WALTHAM	1	S		9,500	SODIUM								
K7	0456	001			9130	1991	T		S2	26766201003	000000 MIDDLESEX	WALTHAM	1	S		9,500	SODIUM								
K7	0456	003			9130	1991	T		S2	26766201003	000000 MIDDLESEX	WALTHAM	1	S		9,500	SODIUM								

CODE										LOCATION			EXISTING FIXTURE TYPE					PROPOSED FIXTURE TYPE				ENERGY SAVINGS		Comments	
TD	Route	Item	F	SF	Unit	Vint	CC	SM	S2	Account	ADDRESS	CITY	Qty	FT	LT	LUMENS	FT Description	Watts	Qty	FT Description	Lumens	Watts	kW Savings		kWh Savings
K7	0456	007			9130	1991	T		S2	26766201003	000000 MIDDLESEX	WALTHAM	1	S		9,500	SODIUM								
K7	0456	009			9130	1991	T		S2	26766201003	000000 MIDDLESEX	WALTHAM	1	S		9,500	SODIUM								
K7	0456	010			9130	1991	T		S2	26766201003	000000 MIDDLESEX	WALTHAM	1	S		9,500	SODIUM								
K7	0456	012			9130	1991	T		S2	26766201003	000000 MIDDLESEX	WALTHAM	1	S		9,500	SODIUM								
K7	0456	014			9130	1991	T		S2	26766201003	000000 MIDDLESEX	WALTHAM	1	S		9,500	SODIUM								
K7	0456	016			9130	1991	T		S2	26766201003	000000 MIDDLESEX	WALTHAM	1	S		9,500	SODIUM								
K7	0456	018			9130	1991	T		S2	26766201003	000000 MIDDLESEX	WALTHAM	1	S		9,500	SODIUM								
K7	0459	002			9130	1991	T		S2	26766201003	000000 ANDREA	WALTHAM	1	S		9,500	SODIUM								
K7	0460	002			9130	1991	T		S2	26766201003	000000 CHARLESBANK	WALTHAM	1	S		9,500	SODIUM								
K7	0460	004			9130	1991	T		S2	26766201003	000000 CHARLESBANK	WALTHAM	1	S		9,500	SODIUM								
K7	0460	006			9130	1991	T		S2	26766201003	000000 CHARLESBANK	WALTHAM	1	S		9,500	SODIUM								
K7	0460	007			9130	1991	T		S2	26766201003	000000 CHARLESBANK	WALTHAM	1	S		9,500	SODIUM								
K7	0460	009			9130	1991	T		S2	26766201003	000000 CHARLESBANK	WALTHAM	1	S		9,500	SODIUM								
K7	0460	010			9130	1991	T		S2	26766201003	000000 CHARLESBANK	WALTHAM	1	S		9,500	SODIUM								
K7	0460	011			9130	1991	T		S2	26766201003	000000 CHARLESBANK	WALTHAM	1	S		9,500	SODIUM								
K7	0460	012			9130	1991	T		S2	26766201003	000000 CHARLESBANK	WALTHAM	1	S		9,500	SODIUM								
K7	0461	001			9130	1992	T		S2	26766201003	000000 WYCOMA	WALTHAM	1	S		9,500	SODIUM								
K7	0461	003			9130	1992	T		S2	26766201003	000000 WYCOMA	WALTHAM	1	S		9,500	SODIUM								
K7	0462	002			9130	1991	T		S2	26766201003	000000 KENDALL	WALTHAM	1	S		9,500	SODIUM								
K7	0462	004			9130	1991	T		S2	26766201003	000000 KENDALL	WALTHAM	1	S		9,500	SODIUM								
K7	0462	006			9130	1991	T		S2	26766201003	000000 KENDALL	WALTHAM	1	S		9,500	SODIUM								
K7	0462	008			9130	1991	T		S2	26766201003	000000 KENDALL	WALTHAM	1	S		9,500	SODIUM								
K7	0462	010			9130	1991	T		S2	26766201003	000000 KENDALL	WALTHAM	1	S		9,500	SODIUM								
K7	0463	002			9130	1989	T		S2	26766201003	000000 WHITMAN	WALTHAM	1	S		9,500	SODIUM								
K7	0463	004			9130	1989	T		S2	26766201003	000000 WHITMAN	WALTHAM	1	S		9,500	SODIUM								
K7	0463	008			9130	1989	T		S2	26766201003	000000 WHITMAN	WALTHAM	1	S		9,500	SODIUM								
K7	0463	010			9130	1989	T		S2	26766201003	000000 WHITMAN	WALTHAM	1	S		9,500	SODIUM								
K7	0463	011			9130	1989	T		S2	26766201003	000000 WHITMAN	WALTHAM	1	S		9,500	SODIUM								
K7	0463	013			9130	1989	T		S2	26766201003	000000 WHITMAN	WALTHAM	1	S		9,500	SODIUM								
K7	0464	002			9130	1989	T		S2	26766201003	000000 TENNYSON	WALTHAM	1	S		9,500	SODIUM								
K7	0464	004			9130	1989	T		S2	26766201003	000000 TENNYSON	WALTHAM	1	S		9,500	SODIUM								
K7	0465	002			9130	1988	T		S2	26766201003	000000 BYRON	WALTHAM	1	S		4,000	SODIUM								
K7	0466	001			9130	1991	T		S2	26766201003	000000 FAIRFAX	WALTHAM	1	S		9,500	SODIUM								
K7	0466	002			9130	1991	T		S2	26766201003	000000 FAIRFAX	WALTHAM	1	S		9,500	SODIUM								
K7	0466	004			9130	1991	T		S2	26766201003	000000 FAIRFAX	WALTHAM	1	S		9,500	SODIUM								
K7	0467	006			9130	1992	T		S2	26766201003	000000 STONE	WALTHAM	1	S		9,500	SODIUM								
K7	0467	007			9130	1992	T		S2	26766201003	000000 STONE	WALTHAM	1	S		9,500	SODIUM								
K7	0467	009			9130	1992	T		S2	26766201003	000000 STONE	WALTHAM	1	S		9,500	SODIUM								
K7	0468	000			9130	1991	T		S2	26766201003	000000 FREEMONT	WALTHAM	1	S		9,500	SODIUM								
K7	0468	003			9130	1991	T		S2	26766201003	000000 FREEMONT	WALTHAM	1	S		9,500	SODIUM								
K7	0470	002			9130	1991	T		S2	26766201003	000000 HERSUM	WALTHAM	1	S		9,500	SODIUM								
K7	0471	002			9130	1988	T		S2	26766201003	000000 CARLIN	WALTHAM	1	S		4,000	SODIUM								
K7	0472	002			9130	1989	T		S2	26766201003	000000 GARDEN	WALTHAM	1	S		9,500	SODIUM								
K7	0472	004			9130	1989	T		S2	26766201003	000000 GARDEN	WALTHAM	1	S		9,500	SODIUM								
K7	0472	006			9130	1989	T		S2	26766201003	000000 GARDEN	WALTHAM	1	S		9,500	SODIUM								
K7	0472	008			9130	1989	T		S2	26766201003	000000 GARDEN	WALTHAM	1	S		9,500	SODIUM								
K7	0473	001			9130	1991	T		S2	26766201003	000000 GARDEN	WALTHAM	1	S		9,500	SODIUM								
K7	0473	003			9130	1991	T		S2	26766201003	000000 GARDEN	WALTHAM	1	S		9,500	SODIUM								
K7	0473	005			9130	1991	T		S2	26766201003	000000 GARDEN	WALTHAM	1	S		9,500	SODIUM								
K7	0474	001			9130	1988	T		S2	26766201003	000000 ELMHURST	WALTHAM	1	S		9,500	SODIUM								

CODE										LOCATION			EXISTING FIXTURE TYPE					PROPOSED FIXTURE TYPE				ENERGY SAVINGS		Comments	
TD	Route	Item	F	SF	Unit	Vint	CC	SM	S2	Account	ADDRESS	CITY	Qty	FT	LT	LUMENS	FT Description	Watts	Qty	FT Description	Lumens	Watts	kW Savings		kWh Savings
K7	0474	002			9130	1988	T		S2	26766201003	000000 ELMHUST	WALTHAM	1	S		9,500	SODIUM								
K7	0475	011			9130	1992	T		S2	26766201003	000000 ROBERTS	WALTHAM	1	S		9,500	SODIUM								
K7	0476	001			9130	1991	T		S2	26766201003	000000 CEDARCROFT	WALTHAM	1	S		9,500	SODIUM								
K7	0476	003			9130	1991	T		S2	26766201003	000000 CEDARCROFT	WALTHAM	1	S		9,500	SODIUM								
K7	0477	002			9130	1991	T		S2	26766201003	000000 HAYS	WALTHAM	1	S		9,500	SODIUM								
K7	0477	004			9130	1991	T		S2	26766201003	000000 HAYS	WALTHAM	1	S		9,500	SODIUM								
K7	0477	006			9130	1991	T		S2	26766201003	000000 HAYS	WALTHAM	1	S		9,500	SODIUM								
K7	0478	001			9130	1992	T		S2	26766201003	000000 RESERVOIR	WALTHAM	1	S		9,500	SODIUM								
K7	0478	003			9130	1992	T		S2	26766201003	000000 RESERVOIR	WALTHAM	1	S		9,500	SODIUM								
K7	0478	005			9130	1992	T		S2	26766201003	000000 RESERVOIR	WALTHAM	1	S		9,500	SODIUM								
K7	0478	007			9130	1992	T		S2	26766201003	000000 RESERVOIR	WALTHAM	1	S		9,500	SODIUM								
K7	0478	008			9130	1992	T		S2	26766201003	000000 RESERVOIR	WALTHAM	1	S		9,500	SODIUM								
K7	0479	001			9130	1987	T		S2	26766201003	000000 MARGUERITE	WALTHAM	1	S		9,500	SODIUM								
K7	0479	003			9130	1987	T		S2	26766201003	000000 MARGUERITE	WALTHAM	1	S		9,500	SODIUM								
K7	0479	005			9130	1987	T		S2	26766201003	000000 MARGUERITE	WALTHAM	1	S		9,500	SODIUM								
K7	0479	007			9130	1987	T		S2	26766201003	000000 MARGUERITE	WALTHAM	1	S		9,500	SODIUM								
K7	0479	010			9130	1987	T		S2	26766201003	000000 MARGUERITE	WALTHAM	1	S		9,500	SODIUM								
K7	0479	011			9130	1987	T		S2	26766201003	000000 MARGUERITE	WALTHAM	1	S		9,500	SODIUM								
K7	0479	013			9130	1987	T		S2	26766201003	000000 MARGUERITE	WALTHAM	1	S		9,500	SODIUM								
K7	0479	018			9130	1987	T		S2	26766201003	000000 MARGUERITE	WALTHAM	1	S		9,500	SODIUM								
K7	0479	020			9130	1987	T		S2	26766201003	000000 MARGUERITE	WALTHAM	1	S		9,500	SODIUM								
K7	0479	022			9130	1987	T		S2	26766201003	000000 MARGUERITE	WALTHAM	1	S		9,500	SODIUM								
K7	0479	024			9130	1987	T		S2	26766201003	000000 MARGUERITE	WALTHAM	1	S		9,500	SODIUM								
K7	0480	001			9130	1991	T		S2	26766201003	000000 EMMELINE	WALTHAM	1	S		9,500	SODIUM								
K7	0480	003			9130	1991	T		S2	26766201003	000000 EMMELINE	WALTHAM	1	S		9,500	SODIUM								
K7	0480	005			9130	1991	T		S2	26766201003	000000 EMMELINE	WALTHAM	1	S		9,500	SODIUM								
K7	0480	007			9130	1991	T		S2	26766201003	000000 EMMELINE	WALTHAM	1	S		9,500	SODIUM								
K7	0481	001			9130	1989	T		S2	26766201003	000000 WILBUR	WALTHAM	1	S		9,500	SODIUM								
K7	0481	002			9130	1989	T		S2	26766201003	000000 WILBUR	WALTHAM	1	S		9,500	SODIUM								
K7	0481	003			9130	1989	T		S2	26766201003	000000 WILBUR	WALTHAM	1	S		9,500	SODIUM								
K7	0481	004			9130	1989	T		S2	26766201003	000000 WILBUR	WALTHAM	1	S		9,500	SODIUM								
K7	0481	006			9130	1989	T		S2	26766201003	000000 WILBUR	WALTHAM	1	S		9,500	SODIUM								
K7	0481	009			9130	1989	T		S2	26766201003	000000 WILBUR	WALTHAM	1	S		9,500	SODIUM								
K7	0483	001			9130	1991	T		S2	26766201003	000000 JOYCE	WALTHAM	1	S		9,500	SODIUM								
K7	0484	002			9130	1991	T		S2	26766201003	000000 CHASE	WALTHAM	1	S		9,500	SODIUM								
K7	0484	004			9130	1991	T		S2	26766201003	000000 CHASE	WALTHAM	1	S		9,500	SODIUM								
K7	0484	006			9130	1991	T		S2	26766201003	000000 CHASE	WALTHAM	1	S		9,500	SODIUM								
K7	0485	002			9130	1991	T		S2	26766201003	000000 OAKLEDGE	WALTHAM	1	S		9,500	SODIUM								
K7	0485	003			9130	1991	T		S2	26766201003	000000 OAKLEDGE	WALTHAM	1	S		9,500	SODIUM								
K7	0486	002			9130	1992	T		S2	26766201003	000000 WESTBROOK	WALTHAM	1	S		9,500	SODIUM								
K7	0487	001			0000	2012	T		S2	26766201003	000000 POND END	WALTHAM	1	D		1,688	LED								
K7	0487	003			0000	2012	T		S2	26766201003	000000 POND END	WALTHAM	1	D		1,688	LED								
K7	0488	002			9130	1989	T		S2	26766201003	000000 SANDERSON	WALTHAM	1	S		4,000	SODIUM								
K7	0488	004			9130	1989	T		S2	26766201003	000000 SANDERSON	WALTHAM	1	S		4,000	SODIUM								
K7	0489	001			9130	1991	T		S2	26766201003	000000 LIVERMORE	WALTHAM	1	S		9,500	SODIUM								
K7	0489	002			9130	1991	T		S2	26766201003	000000 LIVERMORE	WALTHAM	1	S		9,500	SODIUM								
K7	0490	002			9130	1991	T		S2	26766201003	000000 BIGELOW	WALTHAM	1	S		9,500	SODIUM								
K7	0490	004			9130	1991	T		S2	26766201003	000000 BIGELOW	WALTHAM	1	S		9,500	SODIUM								
K7	0490	006			9130	1991	T		S2	26766201003	000000 BIGELOW	WALTHAM	1	S		9,500	SODIUM								
K7	0491	002			9130	1991	T		S2	26766201003	000014 OVERLOOK	WALTHAM	1	S		9,500	SODIUM								

CODE										LOCATION			EXISTING FIXTURE TYPE					PROPOSED FIXTURE TYPE				ENERGY SAVINGS		Comments	
TD	Route	Item	F	SF	Unit	Vint	CC	SM	S2	Account	ADDRESS	CITY	Qty	FT	LT	LUMENS	FT Description	Watts	Qty	FT Description	Lumens	Watts	kW Savings		kWh Savings
K7	0491	005			9130	1991	T		S2	26766201003	000000 OVERLOOK	WALTHAM	1	S		9,500	SODIUM								
K7	0491	007			9130	1991	T		S2	26766201003	000000 OVERLOOK	WALTHAM	1	S		9,500	SODIUM								
K7	0492	001			9130	1991	T		S2	26766201003	000000 HILLCROFT	WALTHAM	1	S		9,500	SODIUM								
K7	0492	003			9130	1991	T		S2	26766201003	000000 HILLCROFT	WALTHAM	1	S		9,500	SODIUM								
K7	0492	004			9130	1991	T		S2	26766201003	000000 HILLCROFT	WALTHAM	1	S		9,500	SODIUM								
K7	0492	006			9130	1991	T		S2	26766201003	000000 HILLCROFT	WALTHAM	1	S		9,500	SODIUM								
K7	0492	008			9130	1991	T		S2	26766201003	000000 HILLCROFT	WALTHAM	1	S		9,500	SODIUM								
K7	0493	002			9130	1991	T		S2	26766201003	000000 HATHERLY	WALTHAM	1	S		9,500	SODIUM								
K7	0493	004			9130	1991	T		S2	26766201003	000000 HATHERLY	WALTHAM	1	S		9,500	SODIUM								
K7	0493	006			9130	1991	T		S2	26766201003	000000 HATHERLY	WALTHAM	1	S		9,500	SODIUM								
K7	0493	008			9130	1991	T		S2	26766201003	000000 HATHERLY	WALTHAM	1	S		9,500	SODIUM								
K7	0493	010			9130	1991	T		S2	26766201003	000000 HATHERLY	WALTHAM	1	S		9,500	SODIUM								
K7	0493	012			9130	1991	T		S2	26766201003	000000 HATHERLY	WALTHAM	1	S		9,500	SODIUM								
K7	0494	003			9130	1986	T		S2	26766201003	000000 ALDERWOOD	WALTHAM	1	S		2,150	SODIUM								
K7	0494	005			9130	1986	T		S2	26766201003	000000 ALDERWOOD	WALTHAM	1	S		2,150	SODIUM								
K7	0494	007			9130	1986	T		S2	26766201003	000000 ALDERWOOD	WALTHAM	1	S		2,150	SODIUM								
K7	0494	008			9130	1988	T		S2	26766201003	000000 ALDERWOOD	WALTHAM	1	S		9,500	SODIUM								
K7	0494	009			9130	1986	T		S2	26766201003	000000 ALDERWOOD	WALTHAM	1	S		2,150	SODIUM								
K7	0495	002			9130	1991	T		S2	26766201003	000000 SHADE	WALTHAM	1	S		9,500	SODIUM								
K7	0495	004			0000	2012	T		S2	26766201003	000000 SHADE	WALTHAM	1	D		1,688	LED								
K7	0496	002			9130	1988	T		S2	26766201003	000000 WILDWOOD	WALTHAM	1	S		9,500	SODIUM								
K7	0496	004			9130	1988	T		S2	26766201003	000000 WILDWOOD	WALTHAM	1	S		9,500	SODIUM								
K7	0496	007			9130	1988	T		S2	26766201003	000000 WILDWOOD	WALTHAM	1	S		9,500	SODIUM								
K7	0496	008			9130	1988	T		S2	26766201003	000000 WILDWOOD	WALTHAM	1	S		9,500	SODIUM								
K7	0496	009			9130	1986	T		S2	26766201003	000000 WILDWOOD	WALTHAM	1	S		4,000	SODIUM								
K7	0497	003			9130	1991	T		S2	26766201003	000000 BALDWIN	WALTHAM	1	S		9,500	SODIUM								
K7	0497	005			9130	1991	T		S2	26766201003	000000 BALDWIN	WALTHAM	1	S		9,500	SODIUM								
K7	0498	001			9130	1988	T		S2	26766201003	000000 OLD LEXINGTON	WALTHAM	1	S		4,000	SODIUM								
K7	0498	003			9130	1988	T		S2	26766201003	000000 OLD LEXINGTON	WALTHAM	1	S		4,000	SODIUM								
K7	0498	005			9130	1988	T		S2	26766201003	000000 OLD LEXINGTON	WALTHAM	1	S		4,000	SODIUM								
K7	0499	002			9130	1991	T		S2	26766201003	000000 ALBERT	WALTHAM	1	S		9,500	SODIUM								
K7	0499	004			9130	1991	T		S2	26766201003	000000 ALBERT	WALTHAM	1	S		9,500	SODIUM								
K7	0499	006			9130	1991	T		S2	26766201003	000000 ALBERT	WALTHAM	1	S		9,500	SODIUM								
K7	0499	007			9130	1991	T		S2	26766201003	000000 ALBERT	WALTHAM	1	S		9,500	SODIUM								
K7	0500	001			9130	1988	T		S2	26766201003	000000 ABBOTT	WALTHAM	1	S		4,000	SODIUM								
K7	0500	003			9130	1988	T		S2	26766201003	000000 ABBOTT	WALTHAM	1	S		4,000	SODIUM								
K7	0500	005			9130	1988	T		S2	26766201003	000000 ABBOTT	WALTHAM	1	S		4,000	SODIUM								
K7	0500	007			9130	1988	T		S2	26766201003	000000 ABBOTT	WALTHAM	1	S		4,000	SODIUM								
K7	0500	009			9130	1988	T		S2	26766201003	000000 ABBOTT	WALTHAM	1	S		4,000	SODIUM								
K7	0501	002			9130	1991	T		S2	26766201003	000000 DRURY	WALTHAM	1	S		9,500	SODIUM								
K7	0502	002			9130	1991	T		S2	26766201003	000000 WARWICK	WALTHAM	1	S		9,500	SODIUM								
K7	0502	003			9130	1991	T		S2	26766201003	000000 WARWICK	WALTHAM	1	S		9,500	SODIUM								
K7	0502	004			9130	1991	T		S2	26766201003	000000 WARWICK	WALTHAM	1	S		9,500	SODIUM								
K7	0502	005			9130	1991	T		S2	26766201003	000000 WARWICK	WALTHAM	1	S		9,500	SODIUM								
K7	0502	006			0000	2012	T		S2	26766201003	000000 WARWICK	WALTHAM	1	D		1,688	LED								
K7	0502	007			0000	2012	T		S2	26766201003	000000 WARWICK	WALTHAM	1	D		1,688	LED								
K7	0502	008			0000	2012	T		S2	26766201003	000000 WARWICK	WALTHAM	1	D		1,688	LED								
K7	0502	011			9130	1991	T		S2	26766201003	000000 WARWICK	WALTHAM	1	S		9,500	SODIUM								
K7	0502	013			9130	1991	T		S2	26766201003	000000 WARWICK	WALTHAM	1	S		9,500	SODIUM								
K7	0503	001			9130	1991	T		S2	26766201003	000000 TEMPLE	WALTHAM	1	S		9,500	SODIUM								

CODE										LOCATION			EXISTING FIXTURE TYPE					PROPOSED FIXTURE TYPE				ENERGY SAVINGS		Comments	
TD	Route	Item	F	SF	Unit	Vint	CC	SM	S2	Account	ADDRESS	CITY	Qty	FT	LT	LUMENS	FT Description	Watts	Qty	FT Description	Lumens	Watts	kW Savings		kWh Savings
K7	0503	003			9130	1991	T		S2	26766201003	000000 TEMPLE	WALTHAM	1	S		9,500	SODIUM								
K7	0503	006			9130	1991	T		S2	26766201003	000000 TEMPLE	WALTHAM	1	S		9,500	SODIUM								
K7	0503	008			9130	1991	T		S2	26766201003	000000 TEMPLE	WALTHAM	1	S		9,500	SODIUM								
K7	0503	009			9130	1991	T		S2	26766201003	000000 TEMPLE	WALTHAM	1	S		9,500	SODIUM								
K7	0503	010			9130	1991	T		S2	26766201003	000000 TEMPLE	WALTHAM	1	S		9,500	SODIUM								
K7	0503	011			9130	1991	T		S2	26766201003	000000 TEMPLE	WALTHAM	1	S		9,500	SODIUM								
K7	0503	013			9130	1991	T		S2	26766201003	000000 TEMPLE	WALTHAM	1	S		9,500	SODIUM								
K7	0503	014			9130	1991	T		S2	26766201003	000000 TEMPLE	WALTHAM	1	S		9,500	SODIUM								
K7	0503	015			9130	1991	T		S2	26766201003	000000 TEMPLE	WALTHAM	1	S		9,500	SODIUM								
K7	0503	017			9130	1991	T		S2	26766201003	000000 TEMPLE	WALTHAM	1	S		9,500	SODIUM								
K7	0503	019			9130	1991	T		S2	26766201003	000000 TEMPLE	WALTHAM	1	S		9,500	SODIUM								
K7	0503	021			9130	1991	T		S2	26766201003	000000 TEMPLE	WALTHAM	1	S		9,500	SODIUM								
K7	0503	023			9130	1991	T		S2	26766201003	000000 TEMPLE	WALTHAM	1	S		9,500	SODIUM								
K7	0503	025			9130	1991	T		S2	26766201003	000000 TEMPLE	WALTHAM	1	S		9,500	SODIUM								
K7	0503	027			9130	1991	T		S2	26766201003	000000 TEMPLE	WALTHAM	1	S		9,500	SODIUM								
K7	0503	030			9130	1991	T		S2	26766201003	000000 TEMPLE	WALTHAM	1	S		9,500	SODIUM								
K7	0503	032			9130	1991	T		S2	26766201003	000000 TEMPLE	WALTHAM	1	S		9,500	SODIUM								
K7	0503	034			9130	1991	T		S2	26766201003	000000 TEMPLE	WALTHAM	1	S		9,500	SODIUM								
K7	0504	001			9130	1991	T		S2	26766201003	000000 GREER	WALTHAM	1	S		9,500	SODIUM								
K7	0504	003			9130	1991	T		S2	26766201003	000000 GREER	WALTHAM	1	S		9,500	SODIUM								
K7	0504	005			9130	1991	T		S2	26766201003	000000 GREER	WALTHAM	1	S		9,500	SODIUM								
K7	0504	007			9130	1991	T		S2	26766201003	000000 GREER	WALTHAM	1	S		9,500	SODIUM								
K7	0504	009			9130	1991	T		S2	26766201003	000000 GREER	WALTHAM	1	S		9,500	SODIUM								
K7	0504	011			9130	1991	T		S2	26766201003	000000 GREER	WALTHAM	1	S		9,500	SODIUM								
K7	0504	012			9130	1991	T		S2	26766201003	000000 GREER	WALTHAM	1	S		9,500	SODIUM								
K7	0505	001			9130	1990	T		S2	26766201003	000000 GILMAN	WALTHAM	1	S		9,500	SODIUM								
K7	0505	003			9130	1990	T		S2	26766201003	000000 GILMAN	WALTHAM	1	S		9,500	SODIUM								
K7	0505	005			9130	1990	T		S2	26766201003	000000 GILMAN	WALTHAM	1	S		9,500	SODIUM								
K7	0507	001			9130	1992	T		S2	26766201003	000000 SAMOSET	WALTHAM	1	S		9,500	SODIUM								
K7	0507	002			9130	1992	T		S2	26766201003	000000 SAMOSET	WALTHAM	1	S		9,500	SODIUM								
K7	0510	001			9130	1991	T		S2	26766201003	000000 LORETTA	WALTHAM	1	S		9,500	SODIUM								
K7	0510	003			9130	1991	T		S2	26766201003	000000 LORETTA	WALTHAM	1	S		9,500	SODIUM								
K7	0510	005			9130	1991	T		S2	26766201003	000000 LORETTA	WALTHAM	1	S		9,500	SODIUM								
K7	0510	007			9130	1991	T		S2	26766201003	000000 LORETTA	WALTHAM	1	S		9,500	SODIUM								
K7	0510	009			9130	1991	T		S2	26766201003	000000 LORETTA	WALTHAM	1	S		9,500	SODIUM								
K7	0511	002			0000	2012	T		S2	26766201003	000000 VALLEY VIEW	WALTHAM	1	D		1,688	LED								
K7	0511	004			0000	2012	T		S2	26766201003	000000 VALLEY VIEW	WALTHAM	1	D		1,688	LED								
K7	0511	007			0000	2012	T		S2	26766201003	000000 VALLEY VIEW	WALTHAM	1	D		1,688	LED								
K7	0511	009			0000	2012	T		S2	26766201003	000000 VALLEY VIEW	WALTHAM	1	D		1,688	LED								
K7	0512	002			9130	1991	T		S2	26766201003	000000 AUBURN	WALTHAM	1	S		4,000	SODIUM								
K7	0513	002			9130	1991	T		S2	26766201003	000000 MARION	WALTHAM	1	S		9,500	SODIUM								
K7	0513	003			9130	1991	T		S2	26766201003	000000 MARION	WALTHAM	1	S		9,500	SODIUM								
K7	0514	002			9130	1988	T		S2	26766201003	000000 BRENNAN	WALTHAM	1	S		4,000	SODIUM								
K7	0515	001			9130	1988	T		S2	26766201003	000000 MOUNTAIN	WALTHAM	1	S		9,500	SODIUM								
K7	0515	003			9130	1988	T		S2	26766201003	000000 MOUNTAIN	WALTHAM	1	S		9,500	SODIUM								
K7	0515	005			9130	1988	T		S2	26766201003	000000 MOUNTAIN	WALTHAM	1	S		9,500	SODIUM								
K7	0515	007			9130	1988	T		S2	26766201003	000000 MOUNTAIN	WALTHAM	1	S		9,500	SODIUM								
K7	0515	009			9130	1988	T		S2	26766201003	000000 MOUNTAIN	WALTHAM	1	S		9,500	SODIUM								
K7	0515	011			9130	1988	T		S2	26766201003	000000 MOUNTAIN	WALTHAM	1	S		9,500	SODIUM								
K7	0517	002			9130	1988	T		S2	26766201003	000000 CRESTVIEW	WALTHAM	1	S		9,500	SODIUM								

CODE										LOCATION			EXISTING FIXTURE TYPE					PROPOSED FIXTURE TYPE				ENERGY SAVINGS		Comments	
TD	Route	Item	F	SF	Unit	Vint	CC	SM	S2	Account	ADDRESS	CITY	Qty	FT	LT	LUMENS	FT Description	Watts	Qty	FT Description	Lumens	Watts	kW Savings		kWh Savings
K7	0517	004			9130	1988	T		S2	26766201003	000000 CRESTVIEW	WALTHAM	1	S		9,500	SODIUM								
K7	0517	006			9130	1988	T		S2	26766201003	000000 CRESTVIEW	WALTHAM	1	S		9,500	SODIUM								
K7	0517	008			9130	1988	T		S2	26766201003	000000 CRESTVIEW	WALTHAM	1	S		9,500	SODIUM								
K7	0517	010			9130	1988	T		S2	26766201003	000000 CRESTVIEW	WALTHAM	1	S		9,500	SODIUM								
K7	0518	002			9130	1988	T		S2	26766201003	000000 GOLDENCREST	WALTHAM	1	S		9,500	SODIUM								
K7	0518	004			9130	1988	T		S2	26766201003	000000 GOLDENCREST	WALTHAM	1	S		9,500	SODIUM								
K7	0518	005		1	9130	1988	T		S2	26766201003	000000 GOLDENCREST	WALTHAM	1	S		9,500	SODIUM								
K7	0518	005		2	9130	1988	T		S2	26766201003	000000 GOLDENCREST	WALTHAM	1	S		9,500	SODIUM								
K7	0518	006			9130	1988	T		S2	26766201003	000000 GOLDENCREST	WALTHAM	1	S		9,500	SODIUM								
K7	0518	008			9130	1988	T		S2	26766201003	000000 GOLDENCREST	WALTHAM	1	S		9,500	SODIUM								
K7	0518	010			9130	1988	T		S2	26766201003	000000 GOLDENCREST	WALTHAM	1	S		9,500	SODIUM								
K7	0518	012			9130	1988	T		S2	26766201003	000000 GOLDENCREST	WALTHAM	1	S		9,500	SODIUM								
K7	0519	002			9130	1991	T		S2	26766201003	000000 HEMLOCK	WALTHAM	1	S		9,500	SODIUM								
K7	0520	001			9130	1988	T		S2	26766201003	000000 MIDLAND	WALTHAM	1	S		9,500	SODIUM								
K7	0520	003			9130	1988	T		S2	26766201003	000000 MIDLAND	WALTHAM	1	S		9,500	SODIUM								
K7	0520	005			9130	1988	T		S2	26766201003	000000 MIDLAND	WALTHAM	1	S		9,500	SODIUM								
K7	0520	007			9130	1988	T		S2	26766201003	000000 MIDLAND	WALTHAM	1	S		9,500	SODIUM								
K7	0520	010			9130	1988	T		S2	26766201003	000000 MIDLAND	WALTHAM	1	S		9,500	SODIUM								
K7	0520	012			9130	1988	T		S2	26766201003	000000 MIDLAND	WALTHAM	1	S		9,500	SODIUM								
K7	0521	001			9130	1986	T		S2	26766201003	000000 OAKLEY	WALTHAM	1	S		9,500	SODIUM								
K7	0521	003			0000	2012	T		S2	26766201003	000000 OAKLEY	WALTHAM	1	D		1,688	LED								
K7	0521	005			0000	2012	T		S2	26766201003	000000 OAKLEY	WALTHAM	1	D		1,688	LED								
K7	0521	007			0000	2012	T		S2	26766201003	000000 OAKLEY	WALTHAM	1	D		1,688	LED								
K7	0521	009			0000	2012	T		S2	26766201003	000000 OAKLEY	WALTHAM	1	D		1,688	LED								
K7	0522	001			9130	1991	T		S2	26766201003	000000 HAZEL	WALTHAM	1	S		9,500	SODIUM								
K7	0522	003			9130	1991	T		S2	26766201003	000000 HAZEL	WALTHAM	1	S		9,500	SODIUM								
K7	0523	001			9130	1988	T		S2	26766201003	000000 WYMAN	WALTHAM	1	S		16,000	SODIUM								
K7	0523	003			9130	1988	T		S2	26766201003	000000 WYMAN	WALTHAM	1	S		16,000	SODIUM								
K7	0523	004			9130	1988	T		S2	26766201003	000000 WYMAN	WALTHAM	1	S		16,000	SODIUM								
K7	0523	005			9130	1988	T		S2	26766201003	000000 WYMAN	WALTHAM	1	S		16,000	SODIUM								
K7	0523	006			9130	1988	T		S2	26766201003	000000 WYMAN	WALTHAM	1	S		16,000	SODIUM								
K7	0523	007			9130	1988	T		S2	26766201003	000000 WYMAN	WALTHAM	1	S		16,000	SODIUM								
K7	0523	008			9130	1988	T		S2	26766201003	000000 WYMAN	WALTHAM	1	S		16,000	SODIUM								
K7	0523	009			9130	1988	T		S2	26766201003	000000 WYMAN	WALTHAM	1	S		16,000	SODIUM								
K7	0523	010			9130	1988	T		S2	26766201003	000000 WYMAN	WALTHAM	1	S		16,000	SODIUM								
K7	0523	011			9130	1988	T		S2	26766201003	000000 WYMAN	WALTHAM	1	S		16,000	SODIUM								
K7	0523	012			9130	1988	T		S2	26766201003	000000 WYMAN	WALTHAM	1	S		16,000	SODIUM								
K7	0523	013			9130	1988	T		S2	26766201003	000000 WYMAN	WALTHAM	1	S		16,000	SODIUM								
K7	0523	014			9130	1988	T		S2	26766201003	000000 WYMAN	WALTHAM	1	S		16,000	SODIUM								
K7	0523	015			9130	1988	T		S2	26766201003	000000 WYMAN	WALTHAM	1	S		16,000	SODIUM								
K7	0523	016			9130	1988	T		S2	26766201003	000000 WYMAN	WALTHAM	1	S		16,000	SODIUM								
K7	0523	017			9130	1988	T		S2	26766201003	000000 WYMAN	WALTHAM	1	S		16,000	SODIUM								
K7	0523	018			9130	1988	T		S2	26766201003	000000 WYMAN	WALTHAM	1	S		16,000	SODIUM								
K7	0523	019			9130	1988	T		S2	26766201003	000000 WYMAN	WALTHAM	1	S		16,000	SODIUM								
K7	0523	020			9130	1988	T		S2	26766201003	000000 WYMAN	WALTHAM	1	S		16,000	SODIUM								
K7	0523	021			9130	1988	T		S2	26766201003	000000 WYMAN	WALTHAM	1	S		16,000	SODIUM								
K7	0523	022			9130	1988	T		S2	26766201003	000000 WYMAN	WALTHAM	1	S		16,000	SODIUM								
K7	0523	023			9130	1988	T		S2	26766201003	000000 WYMAN	WALTHAM	1	S		16,000	SODIUM								
K7	0523	024			9130	1988	T		S2	26766201003	000000 WYMAN	WALTHAM	1	S		16,000	SODIUM								
K7	0523	028			9130	1988	T		S2	26766201003	000000 WYMAN	WALTHAM	1	S		16,000	SODIUM								

CODE										LOCATION			EXISTING FIXTURE TYPE					PROPOSED FIXTURE TYPE				ENERGY SAVINGS		Comments	
TD	Route	Item	F	SF	Unit	Vint	CC	SM	S2	Account	ADDRESS	CITY	Qty	FT	LT	LUMENS	FT Description	Watts	Qty	FT Description	Lumens	Watts	kW Savings		kWh Savings
K7	0523	029			9130	1988	T		S2	26766201003	000000 WYMAN	WALTHAM	1	S		16,000	SODIUM								
K7	0523	031			9130	1988	T		S2	26766201003	000000 WYMAN	WALTHAM	1	S		16,000	SODIUM								
K7	0523	032			9130	1988	T		S2	26766201003	000000 WYMAN	WALTHAM	1	S		16,000	SODIUM								
K7	0523	035			9130	1988	T		S2	26766201003	000000 WYMAN	WALTHAM	1	S		16,000	SODIUM								
K7	0523	037			9130	1988	T		S2	26766201003	000000 WYMAN	WALTHAM	1	S		16,000	SODIUM								
K7	0523	038			9130	1993	T		S2	26766201003	000000 WYMAN	WALTHAM	1	S		25,000	SODIUM								
K7	0523	039			9130	1988	T		S2	26766201003	000000 WYMAN	WALTHAM	1	S		16,000	SODIUM								
K7	0524	001			9130	1991	T		S2	26766201003	000000 KENMORE	WALTHAM	1	S		9,500	SODIUM								
K7	0524	003			9130	1991	T		S2	26766201003	000000 KENMORE	WALTHAM	1	S		9,500	SODIUM								
K7	0524	005			9130	1991	T		S2	26766201003	000000 KENMORE	WALTHAM	1	S		9,500	SODIUM								
K7	0525	002			9130	1991	T		S2	26766201003	000000 KENMORE	WALTHAM	1	S		9,500	SODIUM								
K7	0526	002			9130	1991	T		S2	26766201003	000000 JAMES	WALTHAM	1	S		9,500	SODIUM								
K7	0526	003			9130	1997	T		S2	26766201003	000000 JAMES	WALTHAM	1	S		9,500	SODIUM								
K7	0527	001			9130	1992	T		S2	26766201003	000000 FIRST	WALTHAM	1	S		16,000	SODIUM								
K7	0527	002			9130	1992	T		S2	26766201003	000000 FIRST	WALTHAM	1	S		16,000	SODIUM								
K7	0527	003			9130	1992	T		S2	26766201003	000000 FIRST	WALTHAM	1	S		16,000	SODIUM								
K7	0527	004			9130	1992	T		S2	26766201003	000000 FIRST	WALTHAM	1	S		16,000	SODIUM								
K7	0527	005			9130	1992	T		S2	26766201003	000000 FIRST	WALTHAM	1	S		16,000	SODIUM								
K7	0527	007		1	9130	1992	T		S2	26766201003	000000 FIRST	WALTHAM	1	S		16,000	SODIUM								
K7	0527	007		2	9130	1992	T		S2	26766201003	000000 FIRST	WALTHAM	1	S		16,000	SODIUM								
K7	0527	008			9130	1992	T		S2	26766201003	000000 FIRST	WALTHAM	1	S		16,000	SODIUM								
K7	0528	002			9130	1988	T		S2	26766201003	000000 CAROL	WALTHAM	1	S		4,000	SODIUM								
K7	0530	001			9130	1991	T		S2	26766201003	000000 RAVENSWOOD	WALTHAM	1	S		9,500	SODIUM								
K7	0530	003			9130	1991	T		S2	26766201003	000000 RAVENSWOOD	WALTHAM	1	S		9,500	SODIUM								
K7	0530	005			9130	1991	T		S2	26766201003	000000 RAVENSWOOD	WALTHAM	1	S		9,500	SODIUM								
K7	0530	007			9130	1991	T		S2	26766201003	000000 RAVENSWOOD	WALTHAM	1	S		9,500	SODIUM								
K7	0530	009			9130	1991	T		S2	26766201003	000000 RAVENSWOOD	WALTHAM	1	S		9,500	SODIUM								
K7	0530	011			9130	1991	T		S2	26766201003	000000 RAVENSWOOD	WALTHAM	1	S		9,500	SODIUM								
K7	0530	013			9130	1991	T		S2	26766201003	000000 RAVENSWOOD	WALTHAM	1	S		9,500	SODIUM								
K7	0530	015			9130	1991	T		S2	26766201003	000000 RAVENSWOOD	WALTHAM	1	S		9,500	SODIUM								
K7	0530	017			9130	1991	T		S2	26766201003	000000 RAVENSWOOD	WALTHAM	1	S		9,500	SODIUM								
K7	0531	002			9130	1992	T		S2	26766201003	000000 SHERIDAN	WALTHAM	1	S		9,500	SODIUM								
K7	0532	002			9130	1991	T		S2	26766201003	000000 LINCOLN	WALTHAM	1	S		9,500	SODIUM								
K7	0532	004			9130	1991	T		S2	26766201003	000000 LINCOLN	WALTHAM	1	S		9,500	SODIUM								
K7	0533	001			9130	1991	T		S2	26766201003	000000 CONANT	WALTHAM	1	S		9,500	SODIUM								
K7	0533	003			9130	1991	T		S2	26766201003	000000 CONANT	WALTHAM	1	S		9,500	SODIUM								
K7	0533	005		1	9130	1995	T		S2	26766201003	000000 OLD COUNTRY	WALTHAM	1	S		9,500	SODIUM								
K7	0533	005		2	9130	1995	T		S2	26766201003	000000 OLD COUNTY	WALTHAM	1	S		9,500	SODIUM								
K7	0535	002			9130	1991	T		S2	26766201003	000000 AMORY	WALTHAM	1	S		9,500	SODIUM								
K7	0535	003			9130	1991	T		S2	26766201003	000000 AMORY	WALTHAM	1	S		9,500	SODIUM								
K7	0535	005			9130	1991	T		S2	26766201003	000000 AMORY	WALTHAM	1	S		9,500	SODIUM								
K7	0537	000			9130	1987	T		S2	26766201003	000000 THIRD	WALTHAM	1	S		25,000	SODIUM								
K7	0537	001			9130	1979	T		S2	26766201003	000000 THIRD	WALTHAM	1	S		45,000	SODIUM								
K7	0537	003			9130	1987	T		S2	26766201003	000000 THIRD	WALTHAM	1	S		25,000	SODIUM								
K7	0537	005			9130	1987	T		S2	26766201003	000000 THIRD	WALTHAM	1	S		25,000	SODIUM								
K7	0537	007			9130	1995	T		S2	26766201003	000000 THIRD	WALTHAM	1	S		16,000	SODIUM								
K7	0537	009			9130	1995	T		S2	26766201003	000000 THIRD	WALTHAM	1	S		16,000	SODIUM								
K7	0537	011			9130	1995	T		S2	26766201003	000000 THIRD	WALTHAM	1	S		16,000	SODIUM								
K7	0537	013		1	9130	1997	T		S2	26766201003	000000 THIRD	WALTHAM	1	S		25,000	SODIUM								
K7	0537	013		2	9130	1961	T		S2	26766201003	000000 THIRD	WALTHAM	1	S		16,000	SODIUM								

CODE										LOCATION			EXISTING FIXTURE TYPE					PROPOSED FIXTURE TYPE				ENERGY SAVINGS		Comments	
TD	Route	Item	F	SF	Unit	Vint	CC	SM	S2	Account	ADDRESS	CITY	Qty	FT	LT	LUMENS	FT Description	Watts	Qty	FT Description	Lumens	Watts	kW Savings		kWh Savings
K7	0537	015			9130	1961	T		S2	26766201003	000000 THIRD	WALTHAM	1	S		16,000	SODIUM								
K7	0538	002			9130	1991	T		S2	26766201003	000000 FOURTH	WALTHAM	1	S		16,000	SODIUM								
K7	0538	004			9130	1991	T		S2	26766201003	000000 FOURTH	WALTHAM	1	S		16,000	SODIUM								
K7	0538	006			9130	1991	T		S2	26766201003	000000 FOURTH	WALTHAM	1	S		16,000	SODIUM								
K7	0538	008			9130	1991	T		S2	26766201003	000000 FOURTH	WALTHAM	1	S		16,000	SODIUM								
K7	0539	002			9130	1987	T		S2	26766201003	000000 HOBBS	WALTHAM	1	S		9,500	SODIUM								
K7	0539	004			9130	1987	T		S2	26766201003	000000 HOBBS	WALTHAM	1	S		9,500	SODIUM								
K7	0539	006			9130	1987	T		S2	26766201003	000000 HOBBS	WALTHAM	1	S		9,500	SODIUM								
K7	0539	008			9130	1987	T		S2	26766201003	000000 HOBBS	WALTHAM	1	S		9,500	SODIUM								
K7	0539	010			9130	1987	T		S2	26766201003	000000 HOBBS	WALTHAM	1	S		9,500	SODIUM								
K7	0539	012			9130	1987	T		S2	26766201003	000000 HOBBS	WALTHAM	1	S		9,500	SODIUM								
K7	0539	014			9130	1987	T		S2	26766201003	000000 HOBBS	WALTHAM	1	S		9,500	SODIUM								
K7	0539	016			9130	1987	T		S2	26766201003	000000 HOBBS	WALTHAM	1	S		9,500	SODIUM								
K7	0539	018			9130	1987	T		S2	26766201003	000000 HOBBS	WALTHAM	1	S		9,500	SODIUM								
K7	0539	019			9130	1987	T		S2	26766201003	000000 HOBBS	WALTHAM	1	S		9,500	SODIUM								
K7	0540	002			9130	1987	T		S2	26766201003	000000 DOTY	WALTHAM	1	S		9,500	SODIUM								
K7	0540	004			9130	1987	T		S2	26766201003	000000 DOTY	WALTHAM	1	S		9,500	SODIUM								
K7	0540	006			9130	1987	T		S2	26766201003	000000 DOTY	WALTHAM	1	S		9,500	SODIUM								
K7	0540	008			9130	1987	T		S2	26766201003	000000 DOTY	WALTHAM	1	S		9,500	SODIUM								
K7	0540	010			9130	1987	T		S2	26766201003	000000 DOTY	WALTHAM	1	S		9,500	SODIUM								
K7	0540	012			9130	1987	T		S2	26766201003	000000 DOTY	WALTHAM	1	S		9,500	SODIUM								
K7	0540	014			9130	1987	T		S2	26766201003	000000 DOTY	WALTHAM	1	S		9,500	SODIUM								
K7	0540	016			9130	1987	T		S2	26766201003	000000 DOTY	WALTHAM	1	S		9,500	SODIUM								
K7	0540	018			9130	1987	T		S2	26766201003	000000 DOTY	WALTHAM	1	S		9,500	SODIUM								
K7	0540	020			9130	1987	T		S2	26766201003	000000 DOTY	WALTHAM	1	S		9,500	SODIUM								
K7	0540	022			9130	1987	T		S2	26766201003	000000 DOTY	WALTHAM	1	S		9,500	SODIUM								
K7	0540	024			9130	1987	T		S2	26766201003	000000 DOTY	WALTHAM	1	S		9,500	SODIUM								
K7	0540	026			9130	1987	T		S2	26766201003	000000 DOTY	WALTHAM	1	S		9,500	SODIUM								
K7	0540	028			9130	1987	T		S2	26766201003	000000 DOTY	WALTHAM	1	S		9,500	SODIUM								
K7	0540	030			9130	1987	T		S2	26766201003	000000 DOTY	WALTHAM	1	S		9,500	SODIUM								
K7	0540	032			9130	1987	T		S2	26766201003	000000 DOTY	WALTHAM	1	S		9,500	SODIUM								
K7	0540	034			9130	1987	T		S2	26766201003	000000 DOTY	WALTHAM	1	S		9,500	SODIUM								
K7	0541	002			9130	1987	T		S2	26766201003	000000 ADDISON	WALTHAM	1	S		9,500	SODIUM								
K7	0541	004			9130	1987	T		S2	26766201003	000000 ADDISON	WALTHAM	1	S		9,500	SODIUM								
K7	0541	006			9130	1987	T		S2	26766201003	000000 ADDISON	WALTHAM	1	S		9,500	SODIUM								
K7	0542	002			9130	1991	T		S2	26766201003	000000 PLYMPTON	WALTHAM	1	S		9,500	SODIUM								
K7	0543	002			9130	1991	T		S2	26766201003	000000 CIRCUIT	WALTHAM	1	S		9,500	SODIUM								
K7	0543	003			9130	1991	T		S2	26766201003	000000 CIRCUIT	WALTHAM	1	S		9,500	SODIUM								
K7	0543	005			9130	1991	T		S2	26766201003	000000 CIRCUIT	WALTHAM	1	S		9,500	SODIUM								
K7	0544	001			9130	1987	T		S2	26766201003	000000 ELINOR	WALTHAM	1	S		9,500	SODIUM								
K7	0544	003			9130	1987	T		S2	26766201003	000000 ELINOR	WALTHAM	1	S		9,500	SODIUM								
K7	0545	002			9130	1987	T		S2	26766201003	000000 AUGUSTUS	WALTHAM	1	S		9,500	SODIUM								
K7	0545	004			9130	1987	T		S2	26766201003	000000 AUGUSTUS	WALTHAM	1	S		9,500	SODIUM								
K7	0545	006			9130	1987	T		S2	26766201003	000000 AUGUSTUS	WALTHAM	1	S		9,500	SODIUM								
K7	0545	009			9130	1987	T		S2	26766201003	000000 AUGUSTUS	WALTHAM	1	S		9,500	SODIUM								
K7	0545	011			9130	1987	T		S2	26766201003	000000 AUGUSTUS	WALTHAM	1	S		9,500	SODIUM								
K7	0546	007			9130	1988	T		S2	26766201003	000000 ATHLETIC FIEL	WALTHAM	1	S		9,500	SODIUM								
K7	0546	009			9130	1986	T		S2	26766201003	000000 ATHLETIC FIEL	WALTHAM	1	S		9,500	SODIUM								
K7	0546	011			9130	1986	T		S2	26766201003	000000 ATHLETIC FIEL	WALTHAM	1	S		9,500	SODIUM								
K7	0547	001			9130	1991	T		S2	26766201003	000000 CHRISTOPHER	WALTHAM	1	S		9,500	SODIUM								

CODE										LOCATION			EXISTING FIXTURE TYPE					PROPOSED FIXTURE TYPE				ENERGY SAVINGS		Comments	
TD	Route	Item	F	SF	Unit	Vint	CC	SM	S2	Account	ADDRESS	CITY	Qty	FT	LT	LUMENS	FT Description	Watts	Qty	FT Description	Lumens	Watts	kW Savings		kWh Savings
K7	0547	003			9130	1991	T		S2	26766201003	000000 CHRISTOPHER	WALTHAM	1	S		9,500	SODIUM								
K7	0547	005			9130	1991	T		S2	26766201003	000000 CHRISTOPHER	WALTHAM	1	S		9,500	SODIUM								
K7	0547	006			9130	1991	T		S2	26766201003	000000 CHRISTOPHER	WALTHAM	1	S		9,500	SODIUM								
K7	0547	007			9130	1991	T		S2	26766201003	000000 CHRISTOPHER	WALTHAM	1	S		9,500	SODIUM								
K7	0548	002			9130	1991	T		S2	26766201003	000000 AUTUMN	WALTHAM	1	S		9,500	SODIUM								
K7	0548	004			9130	1991	T		S2	26766201003	000000 AUTUMN	WALTHAM	1	S		9,500	SODIUM								
K7	0549	001			0000	2012	T		S2	26766201003	000000 WEIR	WALTHAM	1	D		1,688	LED								
K7	0549	003			0000	2012	T		S2	26766201003	000000 WEIR	WALTHAM	1	D		1,688	LED								
K7	0549	005			0000	2012	T		S2	26766201003	000000 WEIR	WALTHAM	1	D		1,688	LED								
K7	0549	007			0000	2012	T		S2	26766201003	000000 WEIR	WALTHAM	1	D		1,688	LED								
K7	0549	009			0000	2012	T		S2	26766201003	000000 WEIR	WALTHAM	1	D		1,688	LED								
K7	0550	001			9130	1991	T		S2	26766201003	000000 KINGSTON	WALTHAM	1	S		9,500	SODIUM								
K7	0550	003			9130	1991	T		S2	26766201003	000000 KINGSTON	WALTHAM	1	S		9,500	SODIUM								
K7	0550	005			9130	1991	T		S2	26766201003	000000 KINGSTON	WALTHAM	1	S		9,500	SODIUM								
K7	0550	006			9130	1991	T		S2	26766201003	000000 KINGSTON	WALTHAM	1	S		9,500	SODIUM								
K7	0550	007			9130	1991	T		S2	26766201003	000000 KINGSTON	WALTHAM	1	S		9,500	SODIUM								
K7	0550	009			9130	1991	T		S2	26766201003	000000 KINGSTON	WALTHAM	1	S		9,500	SODIUM								
K7	0550	011			9130	1991	T		S2	26766201003	000000 KINGSTON	WALTHAM	1	S		9,500	SODIUM								
K7	0550	013			9130	1991	T		S2	26766201003	000000 KINGSTON	WALTHAM	1	S		9,500	SODIUM								
K7	0551	001			9130	1992	T		S2	26766201003	000000 SIOUX	WALTHAM	1	S		9,500	SODIUM								
K7	0551	003			9130	1992	T		S2	26766201003	000000 SIOUX	WALTHAM	1	S		9,500	SODIUM								
K7	0552	003			0000	2012	T		S2	26766201003	000000 MELODY	WALTHAM	1	D		1,688	LED								
K7	0552	004			9130	2000	T		S2	26766201003	000000 MELODY	WALTHAM	1	S		9,500	SODIUM								
K7	0552	005			0000	2012	T		S2	26766201003	000000 MELODY	WALTHAM	1	D		1,688	LED								
K7	0552	007			9130	2000	T		S2	26766201003	000000 MELODY	WALTHAM	1	S		9,500	SODIUM								
K7	0553	003			9130	1991	T		S2	26766201003	000000 HARMON	WALTHAM	1	S		9,500	SODIUM								
K7	0554	001			0000	2012	T		S2	26766201003	000000 DANIELS	WALTHAM	1	D		1,688	LED								
K7	0555	001			9130	1991	T		S2	26766201003	000000 CHESTER	WALTHAM	1	S		9,500	SODIUM								
K7	0555	003			9130	1991	T		S2	26766201003	000000 CHESTER	WALTHAM	1	S		9,500	SODIUM								
K7	0555	004			9130	1991	T		S2	26766201003	000000 CHESTER	WALTHAM	1	S		9,500	SODIUM								
K7	0555	005			9130	1991	T		S2	26766201003	000000 CHESTER	WALTHAM	1	S		9,500	SODIUM								
K7	0555	006			9130	1991	T		S2	26766201003	000000 CHESTER	WALTHAM	1	S		9,500	SODIUM								
K7	0557	001			9130	1979	T		S2	26766201003	000000 SECOND	WALTHAM	1	S		45,000	SODIUM								
K7	0557	002			9130	1984	T		S2	26766201003	000000 SECOND	WALTHAM	1	S		25,000	SODIUM								
K7	0557	004			9130	1985	T		S2	26766201003	000000 SECOND	WALTHAM	1	S		25,000	SODIUM								
K7	0557	006			9130	1985	T		S2	26766201003	000000 SECOND	WALTHAM	1	S		25,000	SODIUM								
K7	0557	008			9130	1985	T		S2	26766201003	000000 SECOND	WALTHAM	1	S		25,000	SODIUM								
K7	0557	010			9130	1985	T		S2	26766201003	000000 SECOND	WALTHAM	1	S		25,000	SODIUM								
K7	0557	012			9130	1985	T		S2	26766201003	000000 SECOND	WALTHAM	1	S		25,000	SODIUM								
K7	0557	014			9130	1985	T		S2	26766201003	000000 SECOND	WALTHAM	1	S		25,000	SODIUM								
K7	0557	016			9130	1985	T		S2	26766201003	000000 SECOND	WALTHAM	1	S		25,000	SODIUM								
K7	0557	018			9130	1985	T		S2	26766201003	000000 SECOND	WALTHAM	1	S		25,000	SODIUM								
K7	0557	020			9130	1985	T		S2	26766201003	000000 SECOND	WALTHAM	1	S		25,000	SODIUM								
K7	0557	022			9130	1985	T		S2	26766201003	000000 SECOND	WALTHAM	1	S		25,000	SODIUM								
K7	0557	024			9130	1985	T		S2	26766201003	000000 SECOND	WALTHAM	1	S		25,000	SODIUM								
K7	0557	026			9130	1985	T		S2	26766201003	000000 SECOND	WALTHAM	1	S		25,000	SODIUM								
K7	0557	028			9130	1985	T		S2	26766201003	000000 SECOND	WALTHAM	1	S		25,000	SODIUM								
K7	0557	029			9130	1990	T		S2	26766201003	000000 SECOND	WALTHAM	1	S		25,000	SODIUM								
K7	0557	030			9130	1985	T		S2	26766201003	000000 SECOND	WALTHAM	1	S		25,000	SODIUM								
K7	0557	032			9130	1985	T		S2	26766201003	000000 SECOND	WALTHAM	1	S		25,000	SODIUM								

CODE										LOCATION			EXISTING FIXTURE TYPE					PROPOSED FIXTURE TYPE				ENERGY SAVINGS		Comments	
TD	Route	Item	F	SF	Unit	Vint	CC	SM	S2	Account	ADDRESS	CITY	Qty	FT	LT	LUMENS	FT Description	Watts	Qty	FT Description	Lumens	Watts	kW Savings		kWh Savings
K7	0557	035			9130	1985	T		S2	26766201003	000000 SECOND	WALTHAM	1	S		25,000	SODIUM								
K7	0557	037		1	9130	1985	T		S2	26766201003	000000 SECOND AV	WALTHAM	1	S		25,000	SODIUM								
K7	0557	037		2	9130	1985	T		S2	26766201003	000000 SECOND	WALTHAM	1	S		25,000	SODIUM								
K7	0558	002			9130	1992	T		S2	26766201003	000000 FOX	WALTHAM	1	S		16,000	SODIUM								
K7	0558	003			9130	1992	T		S2	26766201003	000000 FOX	WALTHAM	1	S		16,000	SODIUM								
K7	0559	002			9130	1991	T		S2	26766201003	000000 CHERYL	WALTHAM	1	S		9,500	SODIUM								
K7	0559	004			9130	1991	T		S2	26766201003	000000 CHERYL	WALTHAM	1	S		9,500	SODIUM								
K7	0559	006			9130	1991	T		S2	26766201003	000000 CHERYL	WALTHAM	1	S		9,500	SODIUM								
K7	0560	002			9130	1991	T		S2	26766201003	000000 BEAVER BROOK	WALTHAM	1	S		9,500	SODIUM								
K7	0560	004			9130	1991	T		S2	26766201003	000000 BEAVER BROOK	WALTHAM	1	S		9,500	SODIUM								
K7	0561	002			0000	2012	T		S2	26766201003	000000 MALLARD	WALTHAM	1	D		1,688	LED								
K7	0561	004			0000	2012	T		S2	26766201003	000000 MALLARD	WALTHAM	1	D		1,688	LED								
K7	0561	006			0000	2012	T		S2	26766201003	000000 MALLARD	WALTHAM	1	D		1,688	LED								
K7	0561	008			0000	2012	T		S2	26766201003	000000 MALLARD	WALTHAM	1	D		1,688	LED								
K7	0561	010			0000	2012	T		S2	26766201003	000000 MALLARD	WALTHAM	1	D		1,688	LED								
K7	0561	013			0000	2012	T		S2	26766201003	000000 MALLARD	WALTHAM	1	D		1,688	LED								
K7	0561	015			0000	2012	T		S2	26766201003	000000 MALLARD	WALTHAM	1	D		1,688	LED								
K7	0561	016			0000	2012	T		S2	26766201003	000000 MALLARD	WALTHAM	1	D		1,688	LED								
K7	0561	018			0000	2012	T		S2	26766201003	000000 MALLARD	WALTHAM	1	D		1,688	LED								
K7	0563	001			9130	1991	T		S2	26766201003	000000 GLEN	WALTHAM	1	S		9,500	SODIUM								
K7	0563	003			9130	1991	T		S2	26766201003	000000 GLEN	WALTHAM	1	S		9,500	SODIUM								
K7	0563	005			9130	1991	T		S2	26766201003	000000 GLEN	WALTHAM	1	S		9,500	SODIUM								
K7	0564	002			9130	1991	T		S2	26766201003	000000 FOREST	WALTHAM	1	S		9,500	SODIUM								
K7	0564	003			9130	1991	T		S2	26766201003	000000 FOREST	WALTHAM	1	S		9,500	SODIUM								
K7	0565	003			9130	1989	T		S2	26766201003	000000 FLORAL	WALTHAM	1	S		9,500	SODIUM								
K7	0567	002			9130	1991	T		S2	26766201003	000000 MEADE	WALTHAM	1	S		9,500	SODIUM								
K7	0567	004			9130	1999	T		S2	26766201003	000000 MEADE	WALTHAM	1	S		9,500	SODIUM								
K7	0568	002			9130	1991	T		S2	26766201003	000000 MIRIAM	WALTHAM	1	S		9,500	SODIUM								
K7	0568	004			9130	1991	T		S2	26766201003	000000 MIRIAM	WALTHAM	1	S		9,500	SODIUM								
K7	0568	005			9130	1991	T		S2	26766201003	000000 MIRIAM	WALTHAM	1	S		9,500	SODIUM								
K7	0568	006			9130	1991	T		S2	26766201003	000000 MIRIAM	WALTHAM	1	S		9,500	SODIUM								
K7	0568	008			9130	1991	T		S2	26766201003	000000 MIRIAM	WALTHAM	1	S		9,500	SODIUM								
K7	0568	009			9130	1991	T		S2	26766201003	000000 MIRIAM	WALTHAM	1	S		9,500	SODIUM								
K7	0569	001			0000	2012	T		S2	26766201003	000000 SAGAMORE	WALTHAM	1	D		1,688	LED								
K7	0570	001			0000	2012	T		S2	26766201003	000000 WINGATE	WALTHAM	1	D		1,688	LED								
K7	0570	003			0000	2012	T		S2	26766201003	000000 WINGATE	WALTHAM	1	D		1,688	LED								
K7	0570	005			0000	2012	T		S2	26766201003	000000 WINGATE	WALTHAM	1	D		1,688	LED								
K7	0572	002			0000	2012	T		S2	26766201003	000000 PATRICIA	WALTHAM	1	D		1,688	LED								
K7	0573	002			9130	1991	T		S2	26766201003	000000 CEDAR HILL	WALTHAM	1	S		9,500	SODIUM								
K7	0573	004			9130	1991	T		S2	26766201003	000000 CEDAR HILL	WALTHAM	1	S		9,500	SODIUM								
K7	0574	001			9130	1991	T		S2	26766201003	000000 BIRCH	WALTHAM	1	S		9,500	SODIUM								
K7	0575	002			0000	2015	T		S2	26766201003	000000 WOODCHESTER	WALTHAM	1	D		3,476	LED								
K7	0575	004			0000	2015	T		S2	26766201003	000000 WOODCHESTER	WALTHAM	1	D		3,476	LED								
K7	0575	006			0000	2015	T		S2	26766201003	000000 WOODCHESTER	WALTHAM	1	D		3,476	LED								
K7	0576	002			0000	2012	T		S2	26766201003	000000 WOODCHESTER	WALTHAM	1	D		1,688	LED								
K7	0576	004			0000	2012	T		S2	26766201003	000000 WOODCHESTER	WALTHAM	1	D		1,688	LED								
K7	0577	001			9130	1991	T		S2	26766201003	000000 HOBBS BROOK	WALTHAM	1	S		9,500	SODIUM								
K7	0577	003			9130	1991	T		S2	26766201003	000000 HOBBS BROOK	WALTHAM	1	S		9,500	SODIUM								
K7	0577	005			9130	1991	T		S2	26766201003	000000 HOBBS BROOK	WALTHAM	1	S		9,500	SODIUM								
K7	0578	006			9130	1992	T		S2	26766201003	000000 LESLIE	WALTHAM	1	S		9,500	SODIUM								

CODE										LOCATION			EXISTING FIXTURE TYPE					PROPOSED FIXTURE TYPE				ENERGY SAVINGS		Comments	
TD	Route	Item	F	SF	Unit	Vint	CC	SM	S2	Account	ADDRESS	CITY	Qty	FT	LT	LUMENS	FT Description	Watts	Qty	FT Description	Lumens	Watts	kW Savings		kWh Savings
K7	0578	008			9130	1992	T		S2	26766201003	000000 LESLIE	WALTHAM	1	S		9,500	SODIUM								
K7	0578	010			9130	1992	T		S2	26766201003	000000 LESLIE	WALTHAM	1	S		9,500	SODIUM								
K7	0578	012			9130	1992	T		S2	26766201003	000000 LESLIE	WALTHAM	1	S		9,500	SODIUM								
K7	0578	014			9130	1992	T		S2	26766201003	000000 LESLIE	WALTHAM	1	S		9,500	SODIUM								
K7	0578	016			9130	1992	T		S2	26766201003	000000 LESLIE	WALTHAM	1	S		9,500	SODIUM								
K7	0579	001			9130	1985	T		S2	26766201003	000000 HICKORY	WALTHAM	1	S		25,000	SODIUM								
K7	0579	003			9130	1985	T		S2	26766201003	000000 HICKORY	WALTHAM	1	S		25,000	SODIUM								
K7	0579	005			9130	1985	T		S2	26766201003	000000 HICKORY	WALTHAM	1	S		25,000	SODIUM								
K7	0580	003			9130	1988	T		S2	26766201003	000000 SYLVAN	WALTHAM	1	S		4,000	SODIUM								
K7	0581	002			9130	1991	T		S2	26766201003	000000 KINGSTON	WALTHAM	1	S		9,500	SODIUM								
K7	0582	002			0000	2012	T		S2	26766201003	000000 WOODCLIFF	WALTHAM	1	D		1,688	LED								
K7	0582	004			0000	2012	T		S2	26766201003	000000 WOODCLIFF	WALTHAM	1	D		1,688	LED								
K7	0582	006			0000	2012	T		S2	26766201003	000000 WOODCLIFF	WALTHAM	1	D		1,688	LED								
K7	0582	008			0000	2012	T		S2	26766201003	000000 WOODCLIFF	WALTHAM	1	D		1,688	LED								
K7	0582	011			0000	2012	T		S2	26766201003	000000 WOODCLIFF	WALTHAM	1	D		1,688	LED								
K7	0582	012			9130	1990	T		S2	26766201003	000000 WOODCLIFF DR	WALTHAM	1	S		16,000	SODIUM								
K7	0582	013			9130	1990	T		S2	26766201003	000000 WOODCLIFF DR	WALTHAM	1	S		16,000	SODIUM								
K7	0582	014			9130	1990	T		S2	26766201003	000000 WOODCLIFF DR	WALTHAM	1	S		16,000	SODIUM								
K7	0582	015			9130	1990	T		S2	26766201003	000000 WOODCLIFF DR	WALTHAM	1	S		16,000	SODIUM								
K7	0582	016			9130	1990	T		S2	26766201003	000000 WOODCLIFF DR	WALTHAM	1	S		16,000	SODIUM								
K7	0582	017			9130	1990	T		S2	26766201003	000000 WOODCLIFF DR	WALTHAM	1	S		16,000	SODIUM								
K7	0583	002			9130	1991	T		S2	26766201003	000000 BANCROFT	WALTHAM	1	S		9,500	SODIUM								
K7	0583	004			9130	1991	T		S2	26766201003	000000 BANCROFT	WALTHAM	1	S		9,500	SODIUM								
K7	0583	005			9130	1991	T		S2	26766201003	000000 BANCROFT	WALTHAM	1	S		9,500	SODIUM								
K7	0584	001			9130	1992	T		S2	26766201003	000000 LEITHA	WALTHAM	1	S		9,500	SODIUM								
K7	0584	003			9130	1992	T		S2	26766201003	000000 LEITHA	WALTHAM	1	S		9,500	SODIUM								
K7	0584	005			9130	1992	T		S2	26766201003	000000 LEITHA	WALTHAM	1	S		9,500	SODIUM								
K7	0584	007			9130	1992	T		S2	26766201003	000000 LEITHA	WALTHAM	1	S		9,500	SODIUM								
K7	0584	008			9130	1992	T		S2	26766201003	000000 LEITHA	WALTHAM	1	S		9,500	SODIUM								
K7	0585	001			9130	1986	T		S2	26766201003	000000 ROSEWOOD	WALTHAM	1	S		9,500	SODIUM								
K7	0585	002			9130	1992	T		S2	26766201003	000000 ROSEWOOD	WALTHAM	1	S		9,500	SODIUM								
K7	0585	004			9130	1992	T		S2	26766201003	000000 ROSEWOOD	WALTHAM	1	S		9,500	SODIUM								
K7	0585	006			9130	1992	T		S2	26766201003	000000 ROSEWOOD	WALTHAM	1	S		9,500	SODIUM								
K7	0585	008			9130	1992	T		S2	26766201003	000000 ROSEWOOD	WALTHAM	1	S		9,500	SODIUM								
K7	0585	010			9130	1992	T		S2	26766201003	000000 ROSEWOOD	WALTHAM	1	S		9,500	SODIUM								
K7	0586	002			9130	1991	T		S2	26766201003	000000 RANDO	WALTHAM	1	S		9,500	SODIUM								
K7	0586	004			9130	1991	T		S2	26766201003	000000 RANDO	WALTHAM	1	S		9,500	SODIUM								
K7	0586	006			9130	1991	T		S2	26766201003	000000 RANDO	WALTHAM	1	S		9,500	SODIUM								
K7	0587	001			9130	1992	T		S2	26766201003	000000 TOTTEN POND	WALTHAM	1	S		25,000	SODIUM								
K7	0587	002			9130	1992	T		S2	26766201003	000000 TOTTEN POND	WALTHAM	1	S		25,000	SODIUM								
K7	0587	003			9130	1992	T		S2	26766201003	000000 TOTTEN POND	WALTHAM	1	S		25,000	SODIUM								
K7	0587	006			9130	1992	T		S2	26766201003	000000 TOTTEN POND	WALTHAM	1	S		25,000	SODIUM								
K7	0587	008			9130	1992	T		S2	26766201003	000000 TOTTEN POND	WALTHAM	1	S		25,000	SODIUM								
K7	0587	010			9130	1992	T		S2	26766201003	000000 TOTTEN POND	WALTHAM	1	S		25,000	SODIUM								
K7	0587	012			9130	1992	T		S2	26766201003	000000 TOTTEN POND	WALTHAM	1	S		25,000	SODIUM								
K7	0587	014			9130	1992	T		S2	26766201003	000000 TOTTEN POND	WALTHAM	1	S		25,000	SODIUM								
K7	0587	016			9130	1992	T		S2	26766201003	000000 TOTTEN POND	WALTHAM	1	S		25,000	SODIUM								
K7	0587	018			9130	1992	T		S2	26766201003	000000 TOTTEN POND	WALTHAM	1	S		25,000	SODIUM								
K7	0587	020			9130	1992	T		S2	26766201003	000000 TOTTEN POND	WALTHAM	1	S		25,000	SODIUM								
K7	0587	022			9130	1992	T		S2	26766201003	000000 TOTTEN POND	WALTHAM	1	S		25,000	SODIUM								

CODE										LOCATION			EXISTING FIXTURE TYPE					PROPOSED FIXTURE TYPE				ENERGY SAVINGS		Comments	
TD	Route	Item	F	SF	Unit	Vint	CC	SM	S2	Account	ADDRESS	CITY	Qty	FT	LT	LUMENS	FT Description	Watts	Qty	FT Description	Lumens	Watts	kW Savings		kWh Savings
K7	0587	024			9130	1992	T		S2	26766201003	000000 TOTTEN POND	WALTHAM	1	S		25,000	SODIUM								
K7	0587	025			9130	1992	T		S2	26766201003	000000 TOTTEN POND	WALTHAM	1	S		25,000	SODIUM								
K7	0587	026			9130	1992	T		S2	26766201003	000000 TOTTEN POND	WALTHAM	1	S		25,000	SODIUM								
K7	0587	027			9130	1992	T		S2	26766201003	000000 TOTTEN POND	WALTHAM	1	S		25,000	SODIUM								
K7	0587	028			9130	1992	T		S2	26766201003	000000 TOTTEN POND	WALTHAM	1	S		25,000	SODIUM								
K7	0587	029			9130	1992	T		S2	26766201003	000000 TOTTEN POND	WALTHAM	1	S		25,000	SODIUM								
K7	0587	030			9130	1992	T		S2	26766201003	000000 TOTTEN POND	WALTHAM	1	S		25,000	SODIUM								
K7	0587	031			9130	1992	T		S2	26766201003	000000 TOTTEN POND	WALTHAM	1	S		25,000	SODIUM								
K7	0587	032			9130	1992	T		S2	26766201003	000000 TOTTEN POND	WALTHAM	1	S		25,000	SODIUM								
K7	0587	034			9130	1992	T		S2	26766201003	000000 TOTTEN POND	WALTHAM	1	S		25,000	SODIUM								
K7	0587	036			9130	1992	T		S2	26766201003	000000 TOTTEN POND	WALTHAM	1	S		25,000	SODIUM								
K7	0587	038			9130	1992	T		S2	26766201003	000000 TOTTEN POND	WALTHAM	1	S		25,000	SODIUM								
K7	0587	040			9130	1992	T		S2	26766201003	000000 TOTTEN POND	WALTHAM	1	S		25,000	SODIUM								
K7	0587	042			9130	1992	T		S2	26766201003	000000 TOTTEN POND	WALTHAM	1	S		25,000	SODIUM								
K7	0587	043			9130	1992	T		S2	26766201003	000000 TOTTEN POND	WALTHAM	1	S		25,000	SODIUM								
K7	0587	044			9130	1992	T		S2	26766201003	000000 TOTTEN POND	WALTHAM	1	S		25,000	SODIUM								
K7	0587	045			9130	1992	T		S2	26766201003	000000 TOTTEN POND	WALTHAM	1	S		25,000	SODIUM								
K7	0587	046			9130	1992	T		S2	26766201003	000000 TOTTEN POND	WALTHAM	1	S		25,000	SODIUM								
K7	0588	003			9130	1991	T		S2	26766201003	000000 BLOSSOM	WALTHAM	1	S		9,500	SODIUM								
K7	0588	005			9130	1991	T		S2	26766201003	000000 BLOSSOM	WALTHAM	1	S		9,500	SODIUM								
K7	0588	007			9130	1991	T		S2	26766201003	000000 BLOSSOM	WALTHAM	1	S		9,500	SODIUM								
K7	0588	008		1	9130	1996	T		S2	26766201003	000000 FALCONER	WALTHAM	1	S		4,000	SODIUM								
K7	0588	008		2	9130	1995	T		S2	26766201003	000000 BLOSSOM	WALTHAM	1	S		9,500	SODIUM								
K7	0590	003			9130	1992	T		S2	26766201003	000000 TIP TOP	WALTHAM	1	S		9,500	SODIUM								
K7	0592	002			0000	2012	T		S2	26766201003	000000 OAK	WALTHAM	1	D		1,688	LED								
K7	0595	001			9130	1986	T		S2	26766201003	000000 PRISCILLA	WALTHAM	1	S		2,150	SODIUM								
K7	0597	002			9130	1992	T		S2	26766201003	000000 LEDGE	WALTHAM	1	S		9,500	SODIUM								
K7	0597	004			9130	1992	T		S2	26766201003	000000 LEDGE	WALTHAM	1	S		9,500	SODIUM								
K7	0597	006			9130	1992	T		S2	26766201003	000000 LEDGE	WALTHAM	1	S		9,500	SODIUM								
K7	0597	008			9130	1992	T		S2	26766201003	000000 LEDGE	WALTHAM	1	S		9,500	SODIUM								
K7	0597	010			9130	1992	T		S2	26766201003	000000 LEDGE	WALTHAM	1	S		9,500	SODIUM								
K7	0598	017			9130	1991	T		S2	26766201003	000000 JERICHO HILL	WALTHAM	1	S		9,500	SODIUM								
K7	0598	018			9130	1991	T		S2	26766201003	000000 JERICHO HILL	WALTHAM	1	S		9,500	SODIUM								
K7	0598	020			9130	1991	T		S2	26766201003	000000 JERICHO HILL	WALTHAM	1	S		9,500	SODIUM								
K7	0601	001			9130	1995	T		S2	26766201003	000000 SILVER HILL	WALTHAM	1	S		9,500	SODIUM								
K7	0601	003			9130	1995	T		S2	26766201003	000000 SILVER HILL	WALTHAM	1	S		9,500	SODIUM								
K7	0601	005			9130	1995	T		S2	26766201003	000000 SILVER HILL	WALTHAM	1	S		9,500	SODIUM								
K7	0601	007			9130	1995	T		S2	26766201003	000000 SILVER HILL	WALTHAM	1	S		9,500	SODIUM								
K7	0601	009			9130	1995	T		S2	26766201003	000000 SILVER HILL	WALTHAM	1	S		9,500	SODIUM								
K7	0601	011			9130	1995	T		S2	26766201003	000000 SILVER HILL	WALTHAM	1	S		9,500	SODIUM								
K7	0602	002			9130	1992	T		S2	26766201003	000000 HIGH ROCK	WALTHAM	1	S		9,500	SODIUM								
K7	0603	001			9130	1991	T		S2	26766201003	000000 PARTRIDGE	WALTHAM	1	S		9,500	SODIUM								
K7	0604	002			0000	2012	T		S2	26766201003	000000 PHILLIPS	WALTHAM	1	D		1,688	LED								
K7	0604	004			0000	2012	T		S2	26766201003	000000 PHILLIPS	WALTHAM	1	D		1,688	LED								
K7	0604	006			0000	2012	T		S2	26766201003	000000 PHILLIPS	WALTHAM	1	D		1,688	LED								
K7	0605	002			9130	1992	T		S2	26766201003	000000 SHAWMUT	WALTHAM	1	S		9,500	SODIUM								
K7	0605	004			9130	1992	T		S2	26766201003	000000 SHAWMUT	WALTHAM	1	S		9,500	SODIUM								
K7	0605	006			0000	2012	T		S2	26766201003	000054 SHAWMUT	WALTHAM	1	D		1,688	LED								
K7	0606	001			9130	1991	T		S2	26766201003	000000 BISHOP	WALTHAM	1	S		9,500	SODIUM								
K7	0608	002			9130	1988	T		S2	26766201003	000000 AZALEA	WALTHAM	1	S		4,000	SODIUM								

CODE										LOCATION			EXISTING FIXTURE TYPE					PROPOSED FIXTURE TYPE				ENERGY SAVINGS		Comments	
TD	Route	Item	F	SF	Unit	Vint	CC	SM	S2	Account	ADDRESS	CITY	Qty	FT	LT	LUMENS	FT Description	Watts	Qty	FT Description	Lumens	Watts	kW Savings		kWh Savings
K7	0608	004			9130	1988	T		S2	26766201003	000000 AZALEA	WALTHAM	1	S		4,000	SODIUM								
K7	0608	006			9130	1988	T		S2	26766201003	000000 AZALEA	WALTHAM	1	S		4,000	SODIUM								
K7	0608	008			9130	1987	T		S2	26766201003	000000 AZALEA	WALTHAM	1	S		4,000	SODIUM								
K7	0608	010			9130	1987	T		S2	26766201003	000000 AZALEA	WALTHAM	1	S		4,000	SODIUM								
K7	0611	001			9130	1991	T		S2	26766201003	000000 CHATHAM	WALTHAM	1	S		9,500	SODIUM								
K7	0611	003			9130	1991	T		S2	26766201003	000000 CHATHAM	WALTHAM	1	S		9,500	SODIUM								
K7	0612	002			9130	1990	T		S2	26766201003	000000 JUNIPER HILL	WALTHAM	1	S		9,500	SODIUM								
K7	0612	003			9130	1990	T		S2	26766201003	000000 JUNIPER HILL	WALTHAM	1	S		9,500	SODIUM								
K7	0612	004			9130	1990	T		S2	26766201003	000000 JUNIPER HILL	WALTHAM	1	S		9,500	SODIUM								
K7	0612	006			9130	1990	T		S2	26766201003	000000 JUNIPER HILL	WALTHAM	1	S		9,500	SODIUM								
K7	0613	002			9130	1992	T		S2	26766201003	000000 RUTLEDGE	WALTHAM	1	S		9,500	SODIUM								
K7	0614	002			9130	1991	T		S2	26766201003	000000 CLIFF	WALTHAM	1	S		9,500	SODIUM								
K7	0614	004			9130	1991	T		S2	26766201003	000000 CLIFF	WALTHAM	1	S		9,500	SODIUM								
K7	0615	001			9130	1990	T		S2	26766201003	000000 PIGEON	WALTHAM	1	S		9,500	SODIUM								
K7	0615	002			9130	1989	T		S2	26766201003	000000 PIGEON	WALTHAM	1	S		9,500	SODIUM								
K7	0615	004			9130	1989	T		S2	26766201003	000000 PIGEON	WALTHAM	1	S		9,500	SODIUM								
K7	0615	006			9130	1989	T		S2	26766201003	000000 PIGEON	WALTHAM	1	S		9,500	SODIUM								
K7	0615	008			9130	1989	T		S2	26766201003	000000 PIGEON	WALTHAM	1	S		9,500	SODIUM								
K7	0615	010			9130	1989	T		S2	26766201003	000000 PIGEON	WALTHAM	1	S		9,500	SODIUM								
K7	0615	012			9130	1989	T		S2	26766201003	000000 PIGEON	WALTHAM	1	S		9,500	SODIUM								
K7	0617	002			9130	1991	T		S2	26766201003	000000 LURA	WALTHAM	1	S		9,500	SODIUM								
K7	0617	004			9130	1991	T		S2	26766201003	000000 LURA	WALTHAM	1	S		9,500	SODIUM								
K7	0617	006			9130	1991	T		S2	26766201003	000000 LURA	WALTHAM	1	S		9,500	SODIUM								
K7	0617	008			9130	1991	T		S2	26766201003	000000 LURA	WALTHAM	1	S		9,500	SODIUM								
K7	0617	010			9130	1991	T		S2	26766201003	000000 LURA	WALTHAM	1	S		9,500	SODIUM								
K7	0617	012			9130	1991	T		S2	26766201003	000000 LURA	WALTHAM	1	S		9,500	SODIUM								
K7	0617	014			9130	1991	T		S2	26766201003	000000 LURA	WALTHAM	1	S		9,500	SODIUM								
K7	0617	015			9130	1991	T		S2	26766201003	000000 LURA	WALTHAM	1	S		9,500	SODIUM								
K7	0617	016			9130	1991	T		S2	26766201003	000000 LURA	WALTHAM	1	S		9,500	SODIUM								
K7	0617	020			9130	1991	T		S2	26766201003	000000 LURA	WALTHAM	1	S		9,500	SODIUM								
K7	0618	003			9130	1991	T		S2	26766201003	000000 CRAIG	WALTHAM	1	S		9,500	SODIUM								
K7	0622	001			9130	1991	T		S2	26766201003	000000 NATHAN	WALTHAM	1	S		9,500	SODIUM								
K7	0622	002			9130	1991	T		S2	26766201003	000000 NATHAN	WALTHAM	1	S		9,500	SODIUM								
K7	0622	004			9130	1991	T		S2	26766201003	000000 NATHAN	WALTHAM	1	S		9,500	SODIUM								
K7	0622	006			9130	1991	T		S2	26766201003	000000 NATHAN	WALTHAM	1	S		9,500	SODIUM								
K7	0624	001			9130	1991	T		S2	26766201003	000000 DAWES	WALTHAM	1	S		9,500	SODIUM								
K7	0625	001			9130	1991	T		S2	26766201003	000000 BRIAR HILL	WALTHAM	1	S		9,500	SODIUM								
K7	0625	002			9130	1991	T		S2	26766201003	000000 BRIAR HILL	WALTHAM	1	S		9,500	SODIUM								
K7	0627	001			9130	1991	T		S2	26766201003	000000 IVY	WALTHAM	1	S		9,500	SODIUM								
K7	0627	003			9130	1991	T		S2	26766201003	000000 IVY	WALTHAM	1	S		9,500	SODIUM								
K7	0627	005			9130	2000	T		S2	26766201003	000000 IVY	WALTHAM	1	S		9,500	SODIUM								
K7	0627	007			9130	2000	T		S2	26766201003	000000 IVY	WALTHAM	1	S		9,500	SODIUM								
K7	0628	001			9130	1991	T		S2	26766201003	000000 GRANT	WALTHAM	1	S		9,500	SODIUM								
K7	0628	004			9130	1991	T		S2	26766201003	000000 GRANT	WALTHAM	1	S		9,500	SODIUM								
K7	0629	002			9130	1989	T		S2	26766201003	000000 PIEDMONT	WALTHAM	1	S		9,500	SODIUM								
K7	0629	003			9130	1989	T		S2	26766201003	000000 PIEDMONT	WALTHAM	1	S		9,500	SODIUM								
K7	0629	005			9130	1989	T		S2	26766201003	000000 PIEDMONT	WALTHAM	1	S		9,500	SODIUM								
K7	0629	007			9130	1989	T		S2	26766201003	000000 PIEDMONT	WALTHAM	1	S		9,500	SODIUM								
K7	0631	001			0000	2012	T		S2	26766201003	000000 SHERBOURNE	WALTHAM	1	D		1,688	LED								
K7	0631	003			0000	2012	T		S2	26766201003	000000 SHERBOURNE	WALTHAM	1	D		1,688	LED								

CODE										LOCATION			EXISTING FIXTURE TYPE					PROPOSED FIXTURE TYPE				ENERGY SAVINGS		Comments		
TD	Route	Item	F	SF	Unit	Vint	CC	SM	S2	Account	ADDRESS	CITY	Qty	FT	LT	LUMENS	FT Description	Watts	Qty	FT Description	Lumens	Watts	kW Savings		kWh Savings	
K7	0631	005			0000	2012	T		S2	26766201003	000000 SHERBOURNE	WALTHAM	1	D		1,688	LED									
K7	0631	007			0000	2012	T		S2	26766201003	000000 SHERBOURNE	WALTHAM	1	D		1,688	LED									
K7	0631	009			0000	2012	T		S2	26766201003	000000 SHERBOURNE	WALTHAM	1	D		1,688	LED									
K7	0631	011			0000	2012	T		S2	26766201003	000000 SHERBOURNE	WALTHAM	1	D		1,688	LED									
K7	0631	013			0000	2012	T		S2	26766201003	000000 SHERBOURNE	WALTHAM	1	D		1,688	LED									
K7	0632	001			0000	2012	T		S2	26766201003	000000 VESPER	WALTHAM	1	D		1,688	LED									
K7	0632	003			0000	2012	T		S2	26766201003	000000 VESPER	WALTHAM	1	D		1,688	LED									
K7	0633	002			0000	2012	T		S2	26766201003	000000 WIMBLEDON	WALTHAM	1	D		1,688	LED									
K7	0633	004			0000	2012	T		S2	26766201003	000000 WIMBLEDON	WALTHAM	1	D		1,688	LED									
K7	0633	006			0000	2012	T		S2	26766201003	000000 WIMBLEDON	WALTHAM	1	D		1,688	LED									
K7	0635	002			0000	2012	T		S2	26766201003	000000 ARGILLO	WALTHAM	1	D		1,688	LED									
K7	0636	002			9130	1991	T		S2	26766201003	000000 INTERVALE	WALTHAM	1	S		9,500	SODIUM									
K7	0637	001			0000	2012	T		S2	26766201003	000000 WESTGATE	WALTHAM	1	D		1,688	LED									
K7	0638	002			9130	1981	T		S2	26766201003	000000 RAILROAD	WALTHAM	1	S		25,000	SODIUM									
K7	0638	004			9130	1981	T		S2	26766201003	000000 RAILROAD	WALTHAM	1	S		25,000	SODIUM									
K7	0638	006			9130	1981	T		S2	26766201003	000000 RAILROAD	WALTHAM	1	S		25,000	SODIUM									
K7	0638	009			9130	1981	T		S2	26766201003	000000 RAILROAD	WALTHAM	1	S		25,000	SODIUM									
K7	0638	011			9130	1981	T		S2	26766201003	000000 RAILROAD	WALTHAM	1	S		25,000	SODIUM									
K7	0666	001			9130	1991	T		S2	26766201003	000000 BRIARWOOD	WALTHAM	1	S		9,500	SODIUM									
K7	0666	002			9130	1988	T		S2	26766201003	000000 BRIARWOOD	WALTHAM	1	S		9,500	SODIUM									
K7	0666	003			9130	1991	T		S2	26766201003	000000 BRIARWOOD	WALTHAM	1	S		9,500	SODIUM									
K7	0666	005			9130	1991	T		S2	26766201003	000000 BRIARWOOD	WALTHAM	1	S		9,500	SODIUM									
K7	0666	007			9130	1991	T		S2	26766201003	000000 BRIARWOOD	WALTHAM	1	S		9,500	SODIUM									
K7	0669	002			9130	1990	T		S2	26766201003	000000 DREW	WALTHAM	1	S		4,000	SODIUM									
K7	0692	017			9130	1998	T		S2	26766201003	000000 SEMINOLE	WALTHAM	1	S		9,500	SODIUM									
K7	1	XXX			0000	2014	T		S2	26766201003	000000 MOODY	WALTHAM	1	D		9,600	LED									
K7	101	XXX			9130	1988	T		S2	26766201003	000000 MAIN EXCHANGE	WALTHAM	1	S		25,000	SODIUM									
K7	104	XXX			9130	1988	T		S2	26766201003	000763 MAIN	WALTHAM	1	S		25,000	SODIUM									
K7	109	XXX			9130	1988	T		S2	26766201003	000000 MAIN	WALTHAM	1	S		25,000	SODIUM									
K7	110	XXX			9130	1988	T		S2	26766201003	000000 MAIN	WALTHAM	1	S		25,000	SODIUM									
K7	111	XXX			9130	1988	T		S2	26766201003	000000 MAIN	WALTHAM	1	S		25,000	SODIUM									
K7	114	XXX			0000	2012	T		S2	26766201003	000000 PROSPECT	WALTHAM	1	D		4,897	LED									
K7	118	XXX			9130	1988	T		S2	26766201003	000000 MAIN	WALTHAM	1	S		25,000	SODIUM									
K7	12	XXX			0000	2014	T		S2	26766201003	000000 MOODY	WALTHAM	1	D		9,600	LED									
K7	121	XXX			9130	1988	T		S2	26766201003	000000 MAIN	WALTHAM	1	S		25,000	SODIUM									
K7	123	XXX			9130	1988	T		S2	26766201003	000000 MAIN	WALTHAM	1	S		25,000	SODIUM									
K7	124	XXX			9130	1988	T		S2	26766201003	000000 MAIN	WALTHAM	1	S		25,000	SODIUM									
K7	128	XXX			0000	2012	T		S2	26766201003	000015 LEXINGTON	WALTHAM	1	D		3,562	LED									
K7	129	XXX			9130	1992	T		S2	26766201003	000000 MOODY FELTON	WALTHAM	1	S		25,000	SODIUM									
K7	132	XXX			9130	1992	T		S2	26766201003	000000 MOODY	WALTHAM	1	S		25,000	SODIUM									
K7	133	XXX			9130	1992	T		S2	26766201003	000000 MOODY	WALTHAM	1	S		25,000	SODIUM									
K7	134	XXX			9130	1992	T		S2	26766201003	000000 MOODY	WALTHAM	1	S		25,000	SODIUM									
K7	135	XXX			9130	1991	T		S2	26766201003	000000 PINE	WALTHAM	1	S		9,500	SODIUM									
K7	136	XXX			9130	1968	T		S2	26766201003	000000 CARTER	WALTHAM	1	S		25,000	SODIUM									
K7	137	XXX			9130	1968	T		S2	26766201003	000000 CARTER	WALTHAM	1	S		25,000	SODIUM									
K7	138	XXX			9130	1968	T		S2	26766201003	000000 CARTER	WALTHAM	1	S		25,000	SODIUM									
K7	139	XXX			9130	1968	T		S2	26766201003	000000 CARTER	WALTHAM	1	S		25,000	SODIUM									
K7	142	XXX			0000	2012	T		S2	26766201003	000024 LEXINGTON	WALTHAM	1	D		3,562	LED									
K7	143	XXX			9130	1988	T		S2	26766201003	000000 MAIN HAMMOND	WALTHAM	1	S		25,000	SODIUM									
K7	145	XXX			9130	1988	T		S2	26766201003	000902 MAIN	WALTHAM	1	S		25,000	SODIUM									

CODE										LOCATION			EXISTING FIXTURE TYPE					PROPOSED FIXTURE TYPE				ENERGY SAVINGS		Comments	
TD	Route	Item	F	SF	Unit	Vint	CC	SM	S2	Account	ADDRESS	CITY	Qty	FT	LT	LUMENS	FT Description	Watts	Qty	FT Description	Lumens	Watts	kW Savings		kWh Savings
K7	146	XXX			9130	1988	T		S2	26766201003	000000 MAIN HAMMOND	WALTHAM	1	S		25,000	SODIUM								
K7	147	XXX			9130	1992	T		S2	26766201003	000000 PROSPECT HILL	WALTHAM	1	S		9,500	SODIUM								
K7	149	XXX			9130	1992	T		S2	26766201003	000000 MOODY	WALTHAM	1	S		25,000	SODIUM								
K7	151	XXX			9130	1992	T		S2	26766201003	000000 MOODY	WALTHAM	1	S		25,000	SODIUM								
K7	153	XXX			9130	1992	T		S2	26766201003	000000 MOODY CHESTNU	WALTHAM	1	S		25,000	SODIUM								
K7	155	XXX			9130	1992	T		S2	26766201003	000000 MOODY CHESTNU	WALTHAM	1	S		25,000	SODIUM								
K7	156	XXX			9130	1992	T		S2	26766201003	000465 MOODY	WALTHAM	1	S		25,000	SODIUM								
K7	157	XXX			9130	1992	T		S2	26766201003	000000 MOODY	WALTHAM	1	S		25,000	SODIUM								
K7	159	XXX			9130	1992	T		S2	26766201003	000000 MOODY	WALTHAM	1	S		25,000	SODIUM								
K7	167	XXX			9130	1988	T		S2	26766201003	000000 MAIN	WALTHAM	1	S		25,000	SODIUM								
K7	171	XXX			9130	1988	T		S2	26766201003	000698 MAIN	WALTHAM	1	S		25,000	SODIUM								
K7	179	XXX			9130	1988	T		S2	26766201003	000000 MAIN	WALTHAM	1	S		25,000	SODIUM								
K7	18	XXX			9130	1992	T		S2	26766201003	000000 MOODY CRESCEN	WALTHAM	1	S		25,000	SODIUM								
K7	180	XXX			9130	1988	T		S2	26766201003	000000 MAIN	WALTHAM	1	S		25,000	SODIUM								
K7	183	XXX			9130	1988	T		S2	26766201003	000839 MAIN	WALTHAM	1	S		25,000	SODIUM								
K7	186	XXX			9130	1992	T		S2	26766201003	000000 MOODY	WALTHAM	1	S		25,000	SODIUM								
K7	188	XXX			0000	2012	T		S2	26766201003	000033 LEXINGTON	WALTHAM	1	D		3,562	LED								
K7	189	XXX			9130	1986	T		S2	26766201003	000000 LEXINGTON SCH	WALTHAM	1	S		16,000	SODIUM								
K7	190	XXX			9130	1986	T		S2	26766201003	000000 LEXINGTON SCH	WALTHAM	1	S		16,000	SODIUM								
K7	191	XXX			0000	2012	T		S2	26766201003	000076 LEXINGTON	WALTHAM	1	D		3,562	LED								
K7	192	XXX			9130	1986	T		S2	26766201003	000000 LEXINGTON WAR	WALTHAM	1	S		16,000	SODIUM								
K7	193	XXX			0000	2012	T		S2	26766201003	000099 LEXINGTON	WALTHAM	1	D		3,562	LED								
K7	194	XXX			9130	1986	T		S2	26766201003	000000 LEXINGTON SUM	WALTHAM	1	S		16,000	SODIUM								
K7	195	XXX			9130	1986	T		S2	26766201003	000000 LEXINGTON LEX	WALTHAM	1	S		16,000	SODIUM								
K7	196	XXX			9130	1986	T		S2	26766201003	000000 LEXINGTON	WALTHAM	1	S		16,000	SODIUM								
K7	2	XXX			0000	2014	T		S2	26766201003	000000 MOODY	WALTHAM	1	D		9,600	LED								
K7	20	XXX			0000	2014	T		S2	26766201003	000000 MOODY	WALTHAM	1	D		9,600	LED								
K7	202	XXX			9130	1988	T		S2	26766201003	000000 MAIN	WALTHAM	1	S		25,000	SODIUM								
K7	203	XXX			9130	1988	T		S2	26766201003	000000 MAIN	WALTHAM	1	S		25,000	SODIUM								
K7	204	XXX			9130	1988	T		S2	26766201003	000000 MAIN	WALTHAM	1	S		25,000	SODIUM								
K7	205	XXX			9130	1988	T		S2	26766201003	000000 MAIN	WALTHAM	1	S		25,000	SODIUM								
K7	206	XXX			9130	1988	T		S2	26766201003	000000 MAIN	WALTHAM	1	S		25,000	SODIUM								
K7	207	XXX			9130	1988	T		S2	26766201003	000000 MAIN	WALTHAM	1	S		25,000	SODIUM								
K7	208	XXX			9130	1988	T		S2	26766201003	000000 MAIN	WALTHAM	1	S		25,000	SODIUM								
K7	209	XXX			9130	1988	T		S2	26766201003	000000 MAIN	WALTHAM	1	S		25,000	SODIUM								
K7	21	XXX			0000	2014	T		S2	26766201003	000000 MOODY	WALTHAM	1	D		9,600	LED								
K7	210	XXX			9130	1988	T		S2	26766201003	000000 MAIN	WALTHAM	1	S		25,000	SODIUM								
K7	211	XXX			9130	1988	T		S2	26766201003	000000 MAIN LINDEN	WALTHAM	1	S		25,000	SODIUM								
K7	212	XXX			9130	1992	T		S2	26766201003	000000 MOODY	WALTHAM	1	S		25,000	SODIUM								
K7	213	XXX			9130	1992	T		S2	26766201003	000735 MOODY	WALTHAM	1	S		25,000	SODIUM								
K7	214	XXX			9130	1992	T		S2	26766201003	000000 MOODY	WALTHAM	1	S		25,000	SODIUM								
K7	217	XXX		1	9130	1996	T		S2	26766201003	000000 ROGERS	WALTHAM	1	S		9,500	SODIUM								
K7	217	XXX		2	9130	1992	T		S2	26766201003	000449 MOODY	WALTHAM	1	S		25,000	SODIUM								
K7	218	XXX			9130	1992	T		S2	26766201003	000100 MOODY	WALTHAM	1	S		25,000	SODIUM								
K7	22	XXX			0000	2014	T		S2	26766201003	000000 MOODY	WALTHAM	1	D		9,600	LED								
K7	24	XXX			0000	2014	T		S2	26766201003	000000 MOODY	WALTHAM	1	D		9,600	LED								
K7	254	XXX			9130	1988	T		S2	26766201003	000936 MAIN	WALTHAM	1	S		25,000	SODIUM								
K7	255	XXX			9130	1988	T		S2	26766201003	000918 MAIN	WALTHAM	1	S		25,000	SODIUM								
K7	256	XXX			9130	1988	T		S2	26766201003	000000 MAIN	WALTHAM	1	S		25,000	SODIUM								
K7	257	XXX			9130	1988	T		S2	26766201003	000875 MAIN	WALTHAM	1	S		25,000	SODIUM								

CODE										LOCATION			EXISTING FIXTURE TYPE					PROPOSED FIXTURE TYPE				ENERGY SAVINGS		Comments
TD	Route	Item	F	SF	Unit	Vint	CC	SM	S2	Account	ADDRESS	CITY	Qty	FT	LT	LUMENS	FT Description	Watts	Qty	FT Description	Lumens	Watts	kW Savings	
K7	258	XXX			9130	1988	T		S2	26766201003	000000 MAIN	WALTHAM	1	S		25,000	SODIUM							
K7	259	XXX			9130	1988	T		S2	26766201003	000000 MAIN FISKE	WALTHAM	1	S		25,000	SODIUM							
K7	260	XXX			9130	1988	T		S2	26766201003	000000 MAIN PARK	WALTHAM	1	S		25,000	SODIUM							
K7	261	XXX			9130	1988	T		S2	26766201003	000000 MAIN	WALTHAM	1	S		25,000	SODIUM							
K7	262	XXX			9130	1988	T		S2	26766201003	000000 MAIN	WALTHAM	1	S		25,000	SODIUM							
K7	263	XXX			9130	1988	T		S2	26766201003	000000 MAIN	WALTHAM	1	S		25,000	SODIUM							
K7	264	XXX			9130	1988	T		S2	26766201003	000000 MAIN	WALTHAM	1	S		25,000	SODIUM							
K7	265	XXX			9130	1988	T		S2	26766201003	000000 MAIN	WALTHAM	1	S		25,000	SODIUM							
K7	266	XXX			9130	1988	T		S2	26766201003	000000 MAIN	WALTHAM	1	S		25,000	SODIUM							
K7	267	XXX			9130	1988	T		S2	26766201003	000000 MAIN	WALTHAM	1	S		25,000	SODIUM							
K7	268	XXX			9130	1988	T		S2	26766201003	000000 MAIN	WALTHAM	1	S		25,000	SODIUM							
K7	269	XXX			9130	1988	T		S2	26766201003	000000 MAIN	WALTHAM	1	S		25,000	SODIUM							
K7	270	XXX			9130	1988	T		S2	26766201003	000000 MAIN	WALTHAM	1	S		25,000	SODIUM							
K7	271	XXX			9130	1988	T		S2	26766201003	000595 MAIN	WALTHAM	1	S		25,000	SODIUM							
K7	288	XXX			9130	1986	T		S2	26766201003	000000 LEXINGTON	WALTHAM	1	S		16,000	SODIUM							
K7	289	XXX			9130	1986	T		S2	26766201003	000000 LEXINGTON	WALTHAM	1	S		16,000	SODIUM							
K7	29	XXX			9130	1992	T		S2	26766201003	000000 MOODY	WALTHAM	1	S		25,000	SODIUM							
K7	290	XXX			9130	1986	T		S2	26766201003	000000 LEXINGTON	WALTHAM	1	S		16,000	SODIUM							
K7	291	XXX			9130	1986	T		S2	26766201003	000000 LEXINGTON	WALTHAM	1	S		16,000	SODIUM							
K7	292	XXX			9130	1986	T		S2	26766201003	000000 LEXINGTON	WALTHAM	1	S		16,000	SODIUM							
K7	293	XXX			9130	1986	T		S2	26766201003	000000 LEXINGTON	WALTHAM	1	S		16,000	SODIUM							
K7	294	XXX			9130	1986	T		S2	26766201003	000000 LEXINGTON	WALTHAM	1	S		16,000	SODIUM							
K7	295	XXX			9130	1986	T		S2	26766201003	000000 LEXINGTON	WALTHAM	1	S		16,000	SODIUM							
K7	3	XXX			0000	2014	T		S2	26766201003	000000 MOODY	WALTHAM	1	D		9,600	LED							
K7	30	XXX			9130	1992	T		S2	26766201003	000000 MOODY	WALTHAM	1	S		25,000	SODIUM							
K7	309	XXX			9130	1992	T		S2	26766201003	000000 MOODY	WALTHAM	1	S		25,000	SODIUM							
K7	310	XXX			9130	1992	T		S2	26766201003	000045 MOODY	WALTHAM	1	S		25,000	SODIUM							
K7	311	XXX			9130	1992	T		S2	26766201003	000000 MOODY CHARLES	WALTHAM	1	S		25,000	SODIUM							
K7	3118	001			9130	1993	T		S2	26766201003	000000 TRAPELO	WALTHAM	1	S		25,000	SODIUM							
K7	312	XXX			9130	1992	T		S2	26766201003	000000 MOODY	WALTHAM	1	S		25,000	SODIUM							
K7	313	XXX			9130	1992	T		S2	26766201003	000000 MOODY	WALTHAM	1	S		25,000	SODIUM							
K7	314	XXX			9130	1992	T		S2	26766201003	000000 MOODY	WALTHAM	1	S		25,000	SODIUM							
K7	315	XXX			9130	1992	T		S2	26766201003	000000 MOODY	WALTHAM	1	S		25,000	SODIUM							
K7	316	XXX			9130	1992	T		S2	26766201003	000000 MOODY	WALTHAM	1	S		25,000	SODIUM							
K7	317	XXX			9130	1992	T		S2	26766201003	000000 MOODY	WALTHAM	1	S		25,000	SODIUM							
K7	318	XXX			9130	1992	T		S2	26766201003	000565 MOODY	WALTHAM	1	S		25,000	SODIUM							
K7	319	XXX			9130	1992	T		S2	26766201003	000000 MOODY	WALTHAM	1	S		25,000	SODIUM							
K7	32	XXX			9130	1992	T		S2	26766201003	000000 MOODY	WALTHAM	1	S		25,000	SODIUM							
K7	320	XXX			9130	1992	T		S2	26766201003	000000 MOODY	WALTHAM	1	S		25,000	SODIUM							
K7	33	XXX			9130	1992	T		S2	26766201003	000000 MOODY	WALTHAM	1	S		25,000	SODIUM							
K7	345	XXX			0000	2012	T		S2	26766201003	000000 SPRUCE	WALTHAM	1	D		9,737	LED							
K7	346	XXX			0000	2012	T		S2	26766201003	000000 SPRUCE	WALTHAM	1	D		9,737	LED							
K7	35	XXX			9130	1992	T		S2	26766201003	000614 MOODY	WALTHAM	1	S		25,000	SODIUM							
K7	353	XXX			9130	1986	T		S2	26766201003	000000 CHESTNUT PARK	WALTHAM	1	S		9,500	SODIUM							
K7	355	XXX			9130	1986	T		S2	26766201003	000000 CHESTNUT PARK	WALTHAM	1	S		9,500	SODIUM							
K7	356	XXX			9130	1986	T		S2	26766201003	000000 CHESTNUT	WALTHAM	1	S		9,500	SODIUM							
K7	357	XXX			9130	1986	T		S2	26766201003	000000 CHESTNUT	WALTHAM	1	S		9,500	SODIUM							
K7	358	XXX			9130	1986	T		S2	26766201003	000000 CHESTNUT	WALTHAM	1	S		9,500	SODIUM							
K7	359	XXX			9130	1986	T		S2	26766201003	000000 CHESTNUT	WALTHAM	1	S		9,500	SODIUM							
K7	36	XXX			9130	1992	T		S2	26766201003	000000 MOODY	WALTHAM	1	S		25,000	SODIUM							

CODE										LOCATION			EXISTING FIXTURE TYPE					PROPOSED FIXTURE TYPE				ENERGY SAVINGS		Comments	
TD	Route	Item	F	SF	Unit	Vint	CC	SM	S2	Account	ADDRESS	CITY	Qty	FT	LT	LUMENS	FT Description	Watts	Qty	FT Description	Lumens	Watts	kW Savings		kWh Savings
K7	367	XXX			9130	1986	T		S2	26766201003	000000 LEXINGTON	WALTHAM	1	S		25,000	SODIUM								
K7	368	XXX			9130	1986	T		S2	26766201003	000000 LEXINGTON	WALTHAM	1	S		25,000	SODIUM								
K7	369	XXX			9130	1986	T		S2	26766201003	000000 LEXINGTON	WALTHAM	1	S		25,000	SODIUM								
K7	37	XXX			9130	1992	T		S2	26766201003	000000 MOODY	WALTHAM	1	S		25,000	SODIUM								
K7	370	XXX			9130	1986	T		S2	26766201003	000000 LEXINGTON	WALTHAM	1	S		25,000	SODIUM								
K7	371	XXX			9130	1986	T		S2	26766201003	000000 LEXINGTON	WALTHAM	1	S		25,000	SODIUM								
K7	38	XXX			9130	1992	T		S2	26766201003	000000 MOODY	WALTHAM	1	S		25,000	SODIUM								
K7	39	XXX			9130	1992	T		S2	26766201003	000000 MOODY	WALTHAM	1	S		25,000	SODIUM								
K7	43	XXX			9130	1992	T		S2	26766201003	000000 MOODY	WALTHAM	1	S		25,000	SODIUM								
K7	46	XXX			9130	1991	T		S2	26766201003	000000 PINE	WALTHAM	1	S		9,500	SODIUM								
K7	50	XXX			9130	1992	T		S2	26766201003	000000 MOODY FR	WALTHAM	1	S		25,000	SODIUM								
K7	53	XXX			9130	1992	T		S2	26766201003	000000 ELM	WALTHAM	1	S		25,000	SODIUM								
K7	54	XXX			9130	1992	T		S2	26766201003	000010 ELM	WALTHAM	1	S		25,000	SODIUM								
K7	55	XXX			9130	1992	T		S2	26766201003	000000 ELM MUSIC	WALTHAM	1	S		25,000	SODIUM								
K7	56	XXX			9130	1992	T		S2	26766201003	000002 ELM	WALTHAM	1	S		25,000	SODIUM								
K7	579	XXX			9130	1988	T		S2	26766201003	000000 MAIN MOODY	WALTHAM	1	S		25,000	SODIUM								
K7	58	XXX			9130	1992	T		S2	26766201003	000002 ELM	WALTHAM	1	S		25,000	SODIUM								
K7	59	XXX			9130	1992	T		S2	26766201003	000000 ELM BENTRAL	WALTHAM	1	S		25,000	SODIUM								
K7	6	XXX			0000	2014	T		S2	26766201003	000000 MOODY CARTER	WALTHAM	1	D		9,600	LED								
K7	60	XXX			9130	1992	T		S2	26766201003	000000 ELM CARTER	WALTHAM	1	S		25,000	SODIUM								
K7	61	XXX			9130	1992	T		S2	26766201003	000000 ELM CARTER	WALTHAM	1	S		25,000	SODIUM								
K7	62	XXX			9130	1992	T		S2	26766201003	000000 ELM	WALTHAM	1	S		25,000	SODIUM								
K7	63	XXX			9130	1992	T		S2	26766201003	000000 ELM RIVER	WALTHAM	1	S		25,000	SODIUM								
K7	644	XXX			9130	1996	T		S2	26766201003	000000 HANSON	WALTHAM	1	S		9,500	SODIUM								
K7	645	XXX			9130	1996	T		S2	26766201003	000000 HANSON	WALTHAM	1	S		9,500	SODIUM								
K7	646	XXX			9130	1994	T		S2	26766201003	000000 DOLORES	WALTHAM	1	S		9,500	SODIUM								
K7	647	XXX			9130	1994	T		S2	26766201003	000000 DOLORES	WALTHAM	1	S		9,500	SODIUM								
K7	648	XXX		2	9130	1994	T		S2	26766201003	000000 DOLORES	WALTHAM	1	S		9,500	SODIUM								
K7	66	XXX			9130	1988	T		S2	26766201003	000000 MAIN	WALTHAM	1	S		25,000	SODIUM								
K7	666	XXX		2	9130	1991	T		S2	26766201003	000000 JUDITH	WALTHAM	1	S		9,500	SODIUM								
K7	667	XXX			9130	1988	T		S2	26766201003	000000 MAIN	WALTHAM	1	S		25,000	SODIUM								
K7	668	XXX			9130	1992	T		S2	26766201003	000000 PROSPECT ST	WALTHAM	1	S		16,000	SODIUM								
K7	669	XXX			9130	1992	T		S2	26766201003	000000 PROSPECT ST	WALTHAM	1	S		16,000	SODIUM								
K7	670	XXX			9130	1992	T		S2	26766201003	000000 PROSPECT ST	WALTHAM	1	S		16,000	SODIUM								
K7	675	XXX			0000	2012	T		S2	26766201003	000000 TRACER	WALTHAM	1	D		1,688	LED								
K7	676	XXX			0000	2012	T		S2	26766201003	000000 TRACER	WALTHAM	1	D		1,688	LED								
K7	677	XXX			0000	2012	T		S2	26766201003	000000 TRACER	WALTHAM	1	D		1,688	LED								
K7	678	XXX			0000	2012	T		S2	26766201003	000000 TRACER	WALTHAM	1	D		1,688	LED								
K7	679	XXX			9130	1988	T		S2	26766201003	000000 FOREST PARK	WALTHAM	1	S		9,500	SODIUM								
K7	680	XXX			9130	1988	T		S2	26766201003	000000 FOREST PARK	WALTHAM	1	S		9,500	SODIUM								
K7	681	XXX			9130	1988	T		S2	26766201003	000000 FOREST PARK	WALTHAM	1	S		9,500	SODIUM								
K7	682	XXX			9130	1988	T		S2	26766201003	000000 FOREST PARK	WALTHAM	1	S		9,500	SODIUM								
K7	683	XXX			9130	1988	T		S2	26766201003	000000 FOREST PARK	WALTHAM	1	S		9,500	SODIUM								
K7	684	XXX			9130	1988	T		S2	26766201003	000000 FOREST PARK	WALTHAM	1	S		9,500	SODIUM								
K7	685	XXX			9130	1988	T		S2	26766201003	006001 NANCY LN	WALTHAM	1	S		9,500	SODIUM								
K7	686	XXX			9130	1988	T		S2	26766201003	000000 LAURICELLA	WALTHAM	1	S		9,500	SODIUM								
K7	687	XXX			9130	1988	T		S2	26766201003	000000 LAURICELLA	WALTHAM	1	S		9,500	SODIUM								
K7	688	XXX			9130	1988	T		S2	26766201003	000000 LAURICELLA	WALTHAM	1	S		9,500	SODIUM								
K7	689	XXX			9130	1988	T		S2	26766201003	000000 LAURICELLA	WALTHAM	1	S		9,500	SODIUM								
K7	690	XXX			9130	1988	T		S2	26766201003	000000 LAURICELLA	WALTHAM	1	S		9,500	SODIUM								

CODE										LOCATION			EXISTING FIXTURE TYPE					PROPOSED FIXTURE TYPE				ENERGY SAVINGS		Comments	
TD	Route	Item	F	SF	Unit	Vint	CC	SM	S2	Account	ADDRESS	CITY	Qty	FT	LT	LUMENS	FT Description	Watts	Qty	FT Description	Lumens	Watts	kW Savings		kWh Savings
K7	691	XXX			9130	1988	T		S2	26766201003	000000 LAURICELLA	WALTHAM	1	S		9,500	SODIUM								
K7	692	XXX			9130	1988	T		S2	26766201003	000000 LAURICELLA	WALTHAM	1	S		9,500	SODIUM								
K7	693	XXX			9130	1988	T		S2	26766201003	000000 LAURICELLA	WALTHAM	1	S		9,500	SODIUM								
K7	694	XXX			9130	1988	T		S2	26766201003	000000 PIGEON	WALTHAM	1	S		9,500	SODIUM								
K7	695	XXX			9130	1988	T		S2	26766201003	000000 PIGEON	WALTHAM	1	S		9,500	SODIUM								
K7	696	XXX			9130	1988	T		S2	26766201003	000000 PIGEON	WALTHAM	1	S		9,500	SODIUM								
K7	697	XXX			9130	1988	T		S2	26766201003	000000 PIGEON	WALTHAM	1	S		9,500	SODIUM								
K7	698	XXX			9130	1988	T		S2	26766201003	000000 PIGEON	WALTHAM	1	S		9,500	SODIUM								
K7	699	XXX			9130	1988	T		S2	26766201003	000000 PIGEON	WALTHAM	1	S		9,500	SODIUM								
K7	7	XXX			0000	2014	T		S2	26766201003	000000 MOODY	WALTHAM	1	D		9,600	LED								
K7	700	XXX			9130	1989	T		S2	26766201003	000000 PIGEON	WALTHAM	1	S		9,500	SODIUM								
K7	701	XXX			9130	1989	T		S2	26766201003	000000 LISA	WALTHAM	1	S		9,500	SODIUM								
K7	702	XXX			9130	1988	T		S2	26766201003	000000 LISA	WALTHAM	1	S		9,500	SODIUM								
K7	703	XXX			9130	1988	T		S2	26766201003	000000 AMELIA	WALTHAM	1	S		9,500	SODIUM								
K7	704	XXX			9130	1988	T		S2	26766201003	000000 AMELIA	WALTHAM	1	S		9,500	SODIUM								
K7	705	XXX			9130	1988	T		S2	26766201003	000000 AMELIA	WALTHAM	1	S		9,500	SODIUM								
K7	706	XXX			9130	1988	T		S2	26766201003	000000 LAURICELLA	WALTHAM	1	S		9,500	SODIUM								
K7	707	XXX			9130	1988	T		S2	26766201003	000000 LEXINGTON	WALTHAM	1	S		25,000	SODIUM								
K7	708	XXX			9130	1989	T		S2	26766201003	000000 BANFORD	WALTHAM	1	S		9,500	SODIUM								
K7	709	XXX			9130	1989	T		S2	26766201003	000000 BANFORD	WALTHAM	1	S		9,500	SODIUM								
K7	710	XXX			9130	1990	T		S2	26766201003	000000 WIGHT	WALTHAM	1	S		9,500	SODIUM								
K7	711	XXX			9130	1990	T		S2	26766201003	000000 WIGHT	WALTHAM	1	S		9,500	SODIUM								
K7	712	XXX			9130	1990	T		S2	26766201003	000000 HELEN	WALTHAM	1	S		9,500	SODIUM								
K7	713	XXX			9130	1990	T		S2	26766201003	000000 HELEN	WALTHAM	1	S		9,500	SODIUM								
K7	714	XXX			9130	1990	T		S2	26766201003	000000 HELEN	WALTHAM	1	S		9,500	SODIUM								
K7	715	XXX			9130	1990	T		S2	26766201003	000000 PHILLIPS	WALTHAM	1	S		9,500	SODIUM								
K7	716	XXX			9130	1990	T		S2	26766201003	000000 PHILLIPS	WALTHAM	1	S		9,500	SODIUM								
K7	717	XXX			9130	1990	T		S2	26766201003	000000 PHILLIPS	WALTHAM	1	S		9,500	SODIUM								
K7	723	XXX			9130	1993	T		S2	26766201003	000000 LORY	WALTHAM	1	S		9,500	SODIUM								
K7	724	XXX			9130	1993	T		S2	26766201003	000000 LORY	WALTHAM	1	S		9,500	SODIUM								
K7	725	XXX			9130	1994	T		S2	26766201003	000000 RAFFAELE	WALTHAM	1	S		9,500	SODIUM								
K7	726	XXX			9130	1994	T		S2	26766201003	000000 RAFFAELE	WALTHAM	1	S		9,500	SODIUM								
K7	727	XXX			9130	1994	T		S2	26766201003	000000 RAFFAELE	WALTHAM	1	S		9,500	SODIUM								
K7	728	XXX			9130	1994	T		S2	26766201003	000000 RAFFAELE	WALTHAM	1	S		9,500	SODIUM								
K7	729	XXX			9130	1994	T		S2	26766201003	000000 RAFFAELE	WALTHAM	1	S		9,500	SODIUM								
K7	730	XXX			9130	1994	T		S2	26766201003	000000 RAFFAELE	WALTHAM	1	S		9,500	SODIUM								
K7	731	XXX			9130	1994	T		S2	26766201003	000000 RAFFAELE	WALTHAM	1	S		9,500	SODIUM								
K7	732	XXX			9130	1994	T		S2	26766201003	000000 LINCOLN WOOD	WALTHAM	1	S		4,000	SODIUM								
K7	733	XXX			9130	1994	T		S2	26766201003	000000 LINCOLN WOOD	WALTHAM	1	S		4,000	SODIUM								
K7	734	XXX			9130	1994	T		S2	26766201003	000000 LINCOLN WOOD	WALTHAM	1	S		4,000	SODIUM								
K7	735	XXX			9130	1994	T		S2	26766201003	000000 LINCOLN WOOD	WALTHAM	1	S		4,000	SODIUM								
K7	736	XXX			9130	1994	T		S2	26766201003	000000 LINCOLN WOOD	WALTHAM	1	S		4,000	SODIUM								
K7	737	XXX			9130	1994	T		S2	26766201003	000000 LINCOLN WOOD	WALTHAM	1	S		4,000	SODIUM								
K7	738	XXX			9130	1997	T		S2	26766201003	000000 SNOW	WALTHAM	1	S		9,500	SODIUM								
K7	78	XXX			9130	1991	T		S2	26766201003	000000 PINE	WALTHAM	1	S		9,500	SODIUM								
K7	8	XXX			0000	2014	T		S2	26766201003	000146 MOODY	WALTHAM	1	D		9,600	LED								
K7	80	XXX			9130	1988	T		S2	26766201003	000552 MAIN	WALTHAM	1	S		25,000	SODIUM								
K7	81	XXX			9130	1988	T		S2	26766201003	000563 MAIN	WALTHAM	1	S		25,000	SODIUM								
K7	82	XXX			9130	1988	T		S2	26766201003	000570 MAIN	WALTHAM	1	S		25,000	SODIUM								
K7	83	XXX			9130	1988	T		S2	26766201003	000000 MAIN	WALTHAM	1	S		25,000	SODIUM								

CODE										LOCATION			EXISTING FIXTURE TYPE					PROPOSED FIXTURE TYPE				ENERGY SAVINGS		Comments
TD	Route	Item	F	SF	Unit	Vint	CC	SM	S2	Account	ADDRESS	CITY	Qty	FT	LT	LUMENS	FT Description	Watts	Qty	FT Description	Lumens	Watts	kW Savings	
K7	84	XXX			9130	1991	T		S2	26766201003	000000 PINE	WALTHAM	1	S		9,500	SODIUM							
K7	86	XXX			9130	1988	T		S2	26766201003	000000 MAIN	WALTHAM	1	S		25,000	SODIUM							
K7	88	XXX			9130	1986	T		S2	26766201003	000000 LEXINGTON	WALTHAM	1	S		25,000	SODIUM							
K7	89	XXX			9130	1988	T		S2	26766201003	000000 MAIN	WALTHAM	1	S		25,000	SODIUM							
K7	9	XXX			9130	1999	T		S2	26766201003	000000 MOODY	WALTHAM	1	S		25,000	SODIUM							
K7	91	XXX			9130	1988	T		S2	26766201003	000000 MAIN	WALTHAM	1	S		25,000	SODIUM							
K7	93	XXX			9130	1988	T		S2	26766201003	000000 MAIN COMMON	WALTHAM	1	S		25,000	SODIUM							
K7	95	XXX			9130	1988	T		S2	26766201003	000000 MAIN MOODY	WALTHAM	1	S		25,000	SODIUM							
K7	99	XXX			9130	1988	T		S2	26766201003	000000 MAIN SPRING	WALTHAM	1	S		25,000	SODIUM							
K7	0072	005		2	0000	2012	T		S2	26766211002	000000 DALE	WALTHAM	1	D		1,688	LED							
K7	0072	005		3	0000	2012	T		S2	26766211002	000000 DALE	WALTHAM	1	D		1,688	LED							
K7	0072	005		4	0000	2012	T		S2	26766211002	000000 DALE	WALTHAM	1	D		1,688	LED							
K7	0072	005		5	0000	2012	T		S2	26766211002	000000 DALE	WALTHAM	1	D		1,688	LED							
K7	0220	XXX			9130	1996	T		S2	26766211002	000000 BROOKWAY	WALTHAM	1	S		9,500	SODIUM							
K7	0221	XXX			9130	1996	T		S2	26766211002	000000 BROOKWAY	WALTHAM	1	S		9,500	SODIUM							
K7	0222	XXX			9130	1996	T		S2	26766211002	000022 BROOKWAY RD	WALTHAM	1	S		9,500	SODIUM							
K7	0223	XXX			9130	1996	T		S2	26766211002	000090 BROOKWAY CT	WALTHAM	1	S		9,500	SODIUM							
K7	0224	XXX			9130	1996	T		S2	26766211002	000000 BROOKWAY	WALTHAM	1	S		9,500	SODIUM							
K7	0225	XXX			9130	1996	T		S2	26766211002	000000 BROOKWAY	WALTHAM	1	S		9,500	SODIUM							
K7	0226	XXX			9130	1996	T		S2	26766211002	000000 CHESTER	WALTHAM	1	S		9,500	SODIUM							
K7	0227	XXX			9130	1996	T		S2	26766211002	000076 CHESTER LN	WALTHAM	1	S		9,500	SODIUM							
K7	0228	XXX			9130	1996	T		S2	26766211002	000000 CHESTER	WALTHAM	1	S		9,500	SODIUM							
K7	0229	XXX			9130	1996	T		S2	26766211002	000000 CHESTER	WALTHAM	1	S		9,500	SODIUM							
K7	0230	XXX			9130	1996	T		S2	26766211002	000250 CHESTER LN	WALTHAM	1	S		9,500	SODIUM							
K7	0231	XXX			9130	1996	T		S2	26766211002	000000 CHESTER	WALTHAM	1	S		9,500	SODIUM							
K7	0232	XXX			9130	1996	T		S2	26766211002	000000 CHESTER	WALTHAM	1	S		9,500	SODIUM							
K7	0233	XXX			0000	2012	T		S2	26766211002	000000 CHESTER	WALTHAM	1	D		1,688	LED							
K7	621	XXX			9130	1996	T		S2	26766211002	000000 HANSEN	WALTHAM	1	S		9,500	SODIUM							
K7	622	XXX			9130	1996	T		S2	26766211002	000000 HANSEN	WALTHAM	1	S		9,500	SODIUM							
K7	623	XXX			9130	1996	T		S2	26766211002	000000 HANSEN	WALTHAM	1	S		9,500	SODIUM							
K7	624	XXX			9130	1996	T		S2	26766211002	000000 HANSEN	WALTHAM	1	S		9,500	SODIUM							
K7	625	XXX			9130	1996	T		S2	26766211002	000000 HANSEN	WALTHAM	1	S		9,500	SODIUM							
K7	626	XXX			9130	1996	T		S2	26766211002	000000 HANSEN	WALTHAM	1	S		9,500	SODIUM							
K7	627	XXX			0000	2012	T		S2	26766211002	000000 PROSPECT HILL	WALTHAM	1	D		1,688	LED							
K7	628	XXX			0000	2012	T		S2	26766211002	000000 PROSPECT HILL	WALTHAM	1	D		1,688	LED							
K7	629	XXX			0000	2012	T		S2	26766211002	000000 PROSPECT HILL	WALTHAM	1	D		1,688	LED							
K7	630	XXX			0000	2012	T		S2	26766211002	000000 PROSPECT HILL	WALTHAM	1	D		1,688	LED							
K7	631	XXX			0000	2012	T		S2	26766211002	000000 PROSPECT HILL	WALTHAM	1	D		1,688	LED							
K7	632	XXX			0000	2012	T		S2	26766211002	000000 PROSPECT HILL	WALTHAM	1	D		1,688	LED							
K7	633	XXX			0000	2012	T		S2	26766211002	000000 PROSPECT HILL	WALTHAM	1	D		1,688	LED							
K7	634	XXX			0000	2012	T		S2	26766211002	000000 PROSPECT HILL	WALTHAM	1	D		1,688	LED							
K7	635	XXX			0000	2012	T		S2	26766211002	000000 PROSPECT HILL	WALTHAM	1	D		1,688	LED							
K7	636	XXX			9130	1996	T		S2	26766211002	000000 DERMODY	WALTHAM	1	S		9,500	SODIUM							
K7	637	XXX			9130	1996	T		S2	26766211002	000000 DERMODY	WALTHAM	1	S		9,500	SODIUM							
K7	638	XXX			9130	1996	T		S2	26766211002	000000 DERMODY	WALTHAM	1	S		9,500	SODIUM							
K7	639	XXX			9130	1996	T		S2	26766211002	000000 DERMODY	WALTHAM	1	S		9,500	SODIUM							
K7	M	234			9130	1996	M			26766861004	000000 FOREST GROVE	WALTHAM	1	S		9,500	SODIUM							DCR - Forest Grove Road
K7	M	235			9130	1996	M			26766861004	000000 FOREST GROVE	WALTHAM	1	S		9,500	SODIUM							DCR - Forest Grove Road