

THE CITY OF WALTHAM
MASSACHUSETTS

PURCHASING DEPARTMENT

**ADA Parking Lot Reconstruction,
Waltham Community Cultural Center**

ADDENDUM NO. 1

June 29, 2016

CHANGES, CORRECTIONS AND CLARIFICATIONS

The attention of bidders submitting proposals for the above subject project is called to the following addendum to the specifications. The items set forth herein, whether of omission, addition, substitution or clarification are all to be included in and form a part of the proposal submitted.

THE NUMBER OF THIS ADDENDUM (NO. 1) MUST BE ACKNOWLEDGED IN THE BID FORM SECTION 004113-1

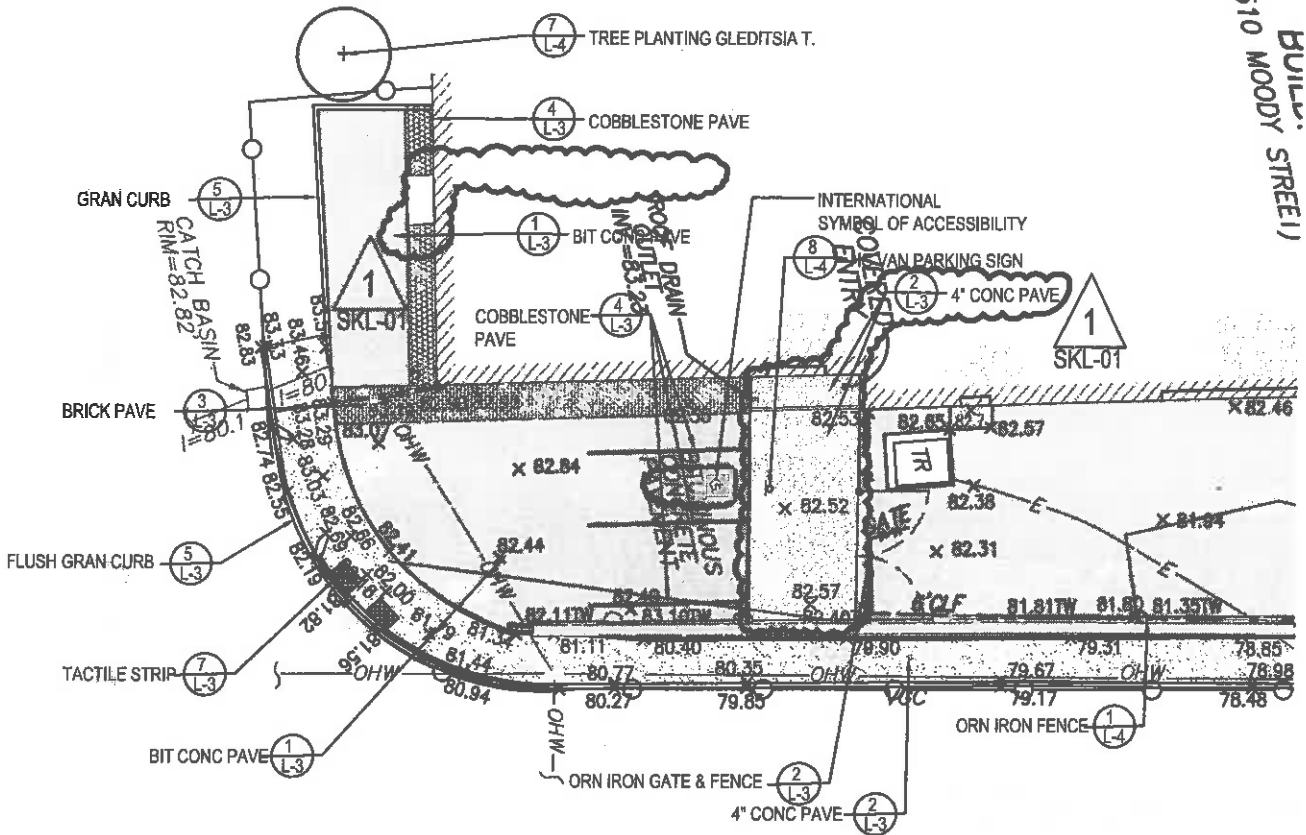
ITEM 1: ADDITION

Please Add The Following Four(4) Skl Drawings To The Bid Packet

End of Addendum 1



BUILDING STREET I
(510 MOODY STREET I)



MG

Marshall | Gary LLC

200 Harvard Mills square, Suite 420

Wakefield, MA 01880

p. 781.245.7699 f. 781.245.7692

ADA Parking Lot

Waltham, MA

JOB NO. 1403

SKETCH TITLE

Paving Materials

REFER TO:

Layout Plan

SCALE: 1"=20'

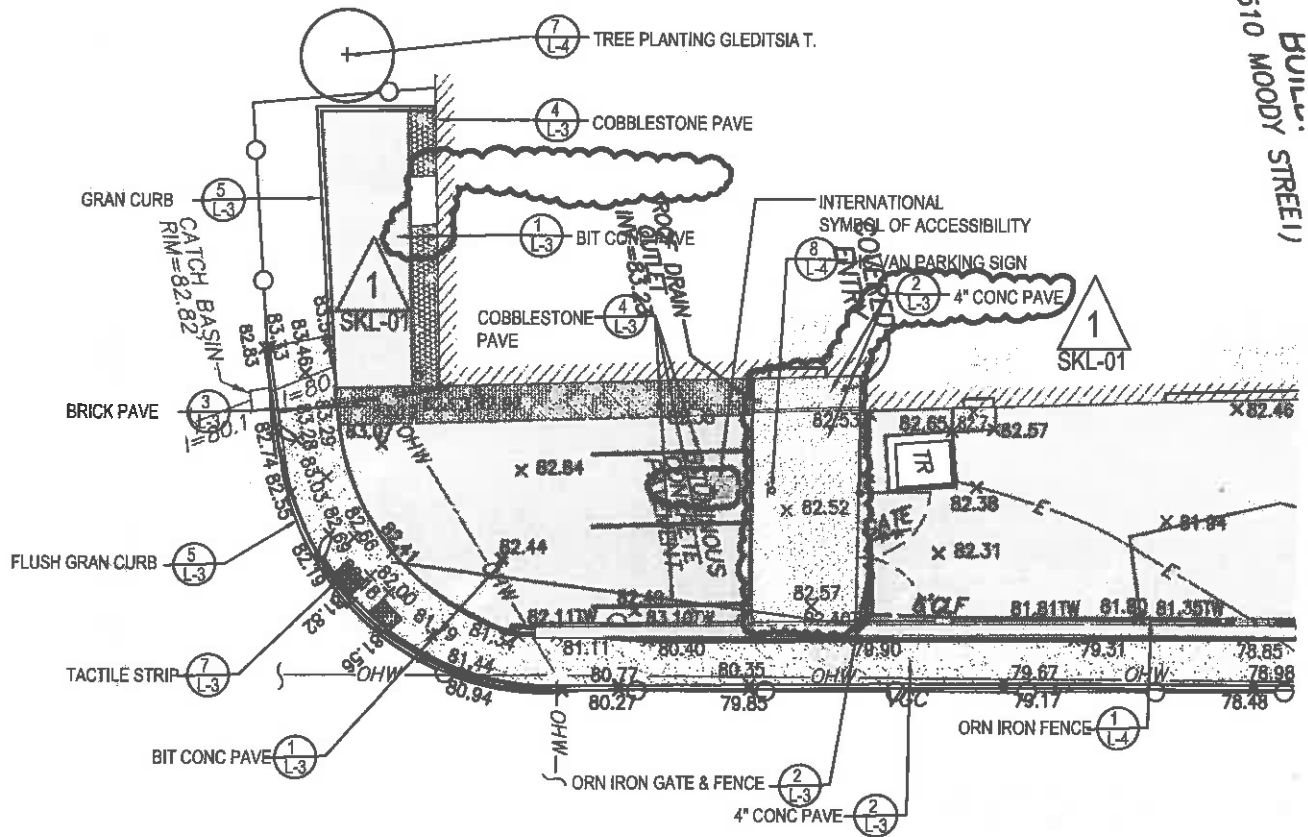
DATE June 29, 2016

DRAWN BY: JE

SKETCH NO. SKL-01



BULLY STREET
(510 MOODY STREET)



MG

Marshall | Gary LLC

200 Harvard Mills square, Suite 420

Wakefield, MA 01880

p. 781.245.7699 f. 781.245.7692

ADA Parking Lot
Waltham, MA

SKETCH TITLE

REFER TO:

JOB NO. 1403

Paving Materials

Layout Plan

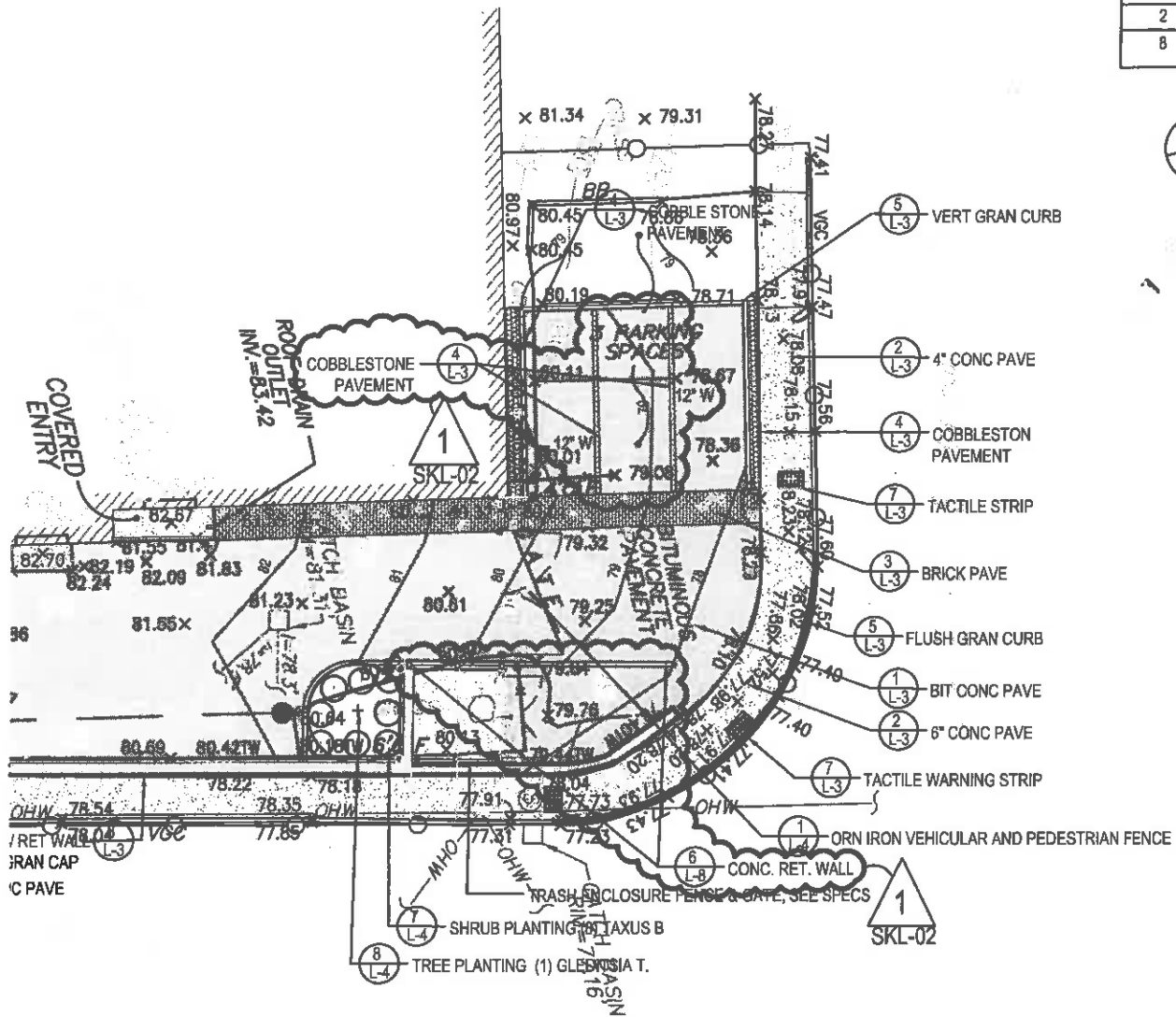
SCALE: 1"=20'

DATE June 29, 2016

DRAWN BY: JE

SKETCH NO. SKL-01

PLANT LIST	
QUANT	BOTANIC
2	GLEDITSIA TI
8	TAXUS BACA



MG

Marshall | Gary LLC



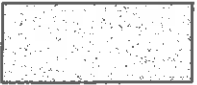
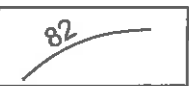
200 Harvard Mills square, Suite 420
 Wakefield, MA 01880
 p. 781.245.7699 f. 781.245.7692

ADA Parking Lot
 Waltham, MA

JOB NO. **1403**
 SKETCH TITLE **Paving Materials & Wall**
 REFER TO: **Layout Plan**

SCALE: **1"=20'**
 DATE **June 29, 2016**
 DRAWN BY: **JE**
 SKETCH NO. **SKL-02**

PROPOSED LEGEND:

	BIT. CONC. PAVING ROADWAY AND PARKING	1 L-3
	BRICK PAVE	3 L-3
	CONCRETE PAVING	2 L-3
T.C B.C	TOP & BOTTOM OF CURB	6 L-3
T.W B.W	TOP & BOTTOM OF WALL	8 L-3
HP	HIGH POINT	
	CONTOUR	
CB ADJ	ADJUST CATCH BASIN TO MEET PROPOSED GRADE	
82.29 +	SPOT ELEVATION	
DMH	DRAIN MANHOLE	5 L-4
CB	CATCH BASIN	4 L-4



MG

Marshall | Gary LLC
 200 Harvard Mills square, Suite 420
 Wakefield, MA 01880
 p. 781.245.7699 f. 781.245.7692

ADA Parking Lot
 Waltham, MA

SKETCH TITLE

REFER TO:

JOB NO. **1403**

Proposed Legend

Layout Plan

SCALE: **1"=20'**

DATE **June 29, 2016**

DRAWN BY: **JE**

SKETCH NO. **SKL-03**